

# ***GENERAL PURPOSE ENGINE***

GX100

PARTS CATALOGUE

**3**



GX100

---

FOREWORD INDEX

**1**

---

ENGINE GROUP

**2**

---

PART NUMBER INDEX

**3**

---

PART NAME INDEX

**4**

---



**Instruction for use of parts catalogue**

- **This parts catalogue was prepared based on the latest information available as of April 10, 2005.**
- See the parts catalogue news for any revision that is made after April 10, 2005.
- **Always specify the part number when ordering a part.**
- Check the model, type, serial numbers, color, maker, and the size as needed before ordering a part.
- Note that the illustrations (part drawings) can differ from the actual parts in shape. They are given just to help you to refer to the parts.
- **When modifications or additions to this parts catalogue are made, a revised edition will be issued at an appropriate time, with successively progressing revision numbers on the cover. We recommend obtaining such revisions in order to keep your parts catalogue up-to-date at all times. To check whether a parts catalogue revision has been issued, please contact your Honda distributor.**

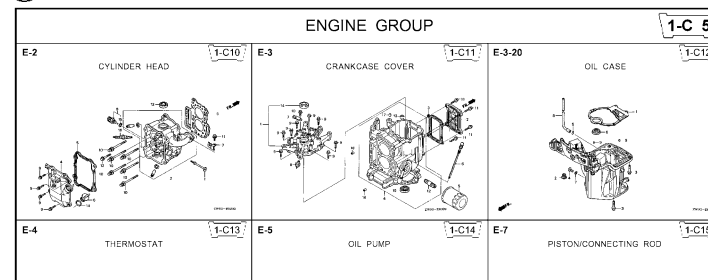
Initial version issue date **February 10, 2001**  
**Honda Motor Co., Ltd.**

**CONTENTS**

	Page	Address No.	
● Instruction for use of parts catalogue .....	1	B 1	<b>1</b>
● How to refer to the part information .....	2	B 2	
● Part catalogue structure .....	3	B 3	
● When the parts were revised .....	4	B 4	
● Abbreviations used in the parts catalogue .....	4	B 4	
● How to check the part block and serial numbers .....	5	B 5	
● Models, parts catalogue codes and applicable serial numbers .....	6	B 6	
● Features of each type .....	10	B10	
● Fuel hose, general purpose hoses and vinyl hose .....	12	B12	
● FLAT RATE SERVICE TIME .....	13	B13	
● Illustrated index .....	18	C 2	
● ENGINE GROUP .....	21	D 1	<b>2</b>
● PART NO. INDEX .....	70	H 1	<b>3</b>
● PART NAME INDEX .....	73	I 1	<b>4</b>

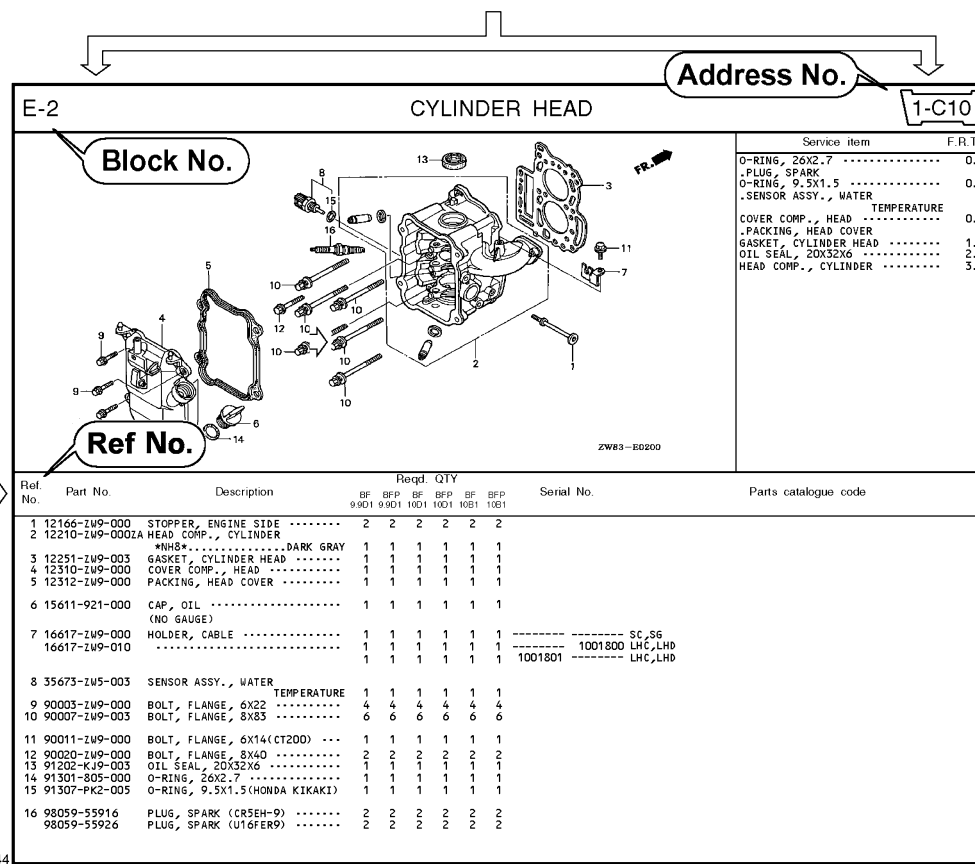
How to refer to the part information

A Reference with "Illustrated index"



B Reference with "Part number index"

PART NO. INDEX					
Part Number	Address	Page	Rel.	Part Number	Address Page
06000				15212-ZW9-000	1-C14 3C
06316-ZW9-000	1-69	88	1	15220-ZW9-003	1-C14 3C
11000				15332-ZW9-000	1-E8 55
11300-ZW9-405	1-C11	27	1	15332-ZW9-A30	1-E11 5E
11300-ZW9-406	1-C11	27	1	15400-PFB-004	1-C11 27
11340-ZW9-000	1-C11	27	2	15422-ZW9-000	1-C14 3C
11342-ZW9-000	1-C11	27	3	15473-881-000	1-C14 3C
11381-ZW9-003	1-C12	28	1	15474-ZW9-000	1-C14 3C
				15611-921-000	1-C10 2E
				15655-ZW9-000	1-C11 27
				16000	
12000				16010-ZV4-005	1-D4 3E
12000-ZW9-405ZA	1-C11	27	4	16011-ZV4-005	1-D4 3E
12155-ZV4-A00	1-C13	29	1	16013-ZW9-003	1-D4 3E
12166-ZW9-000	1-C10	26	1	16016-ZW9-003	1-D4 3E
12209-GB4-681	1-C16	32	1	16016-ZW9-721	1-D4 3E
12210-ZW9-405ZA	1-C10	26	2	16023-ZW9-003	1-D4 3E
12216-ZE2-300	1-E8	55	1	16024-ZV4-650	1-D4 3E
	1-E11	58	1	16028-ZV4-650	1-D4 3E

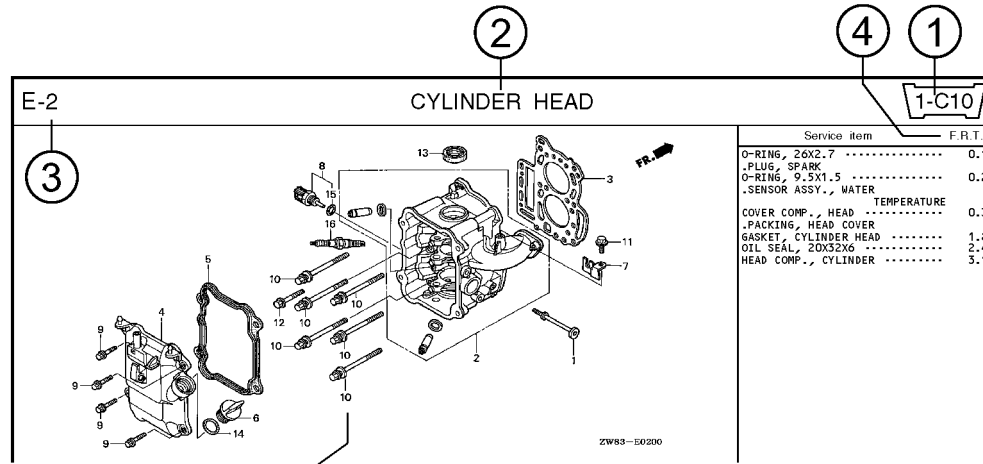


C Reference with "Part name index"

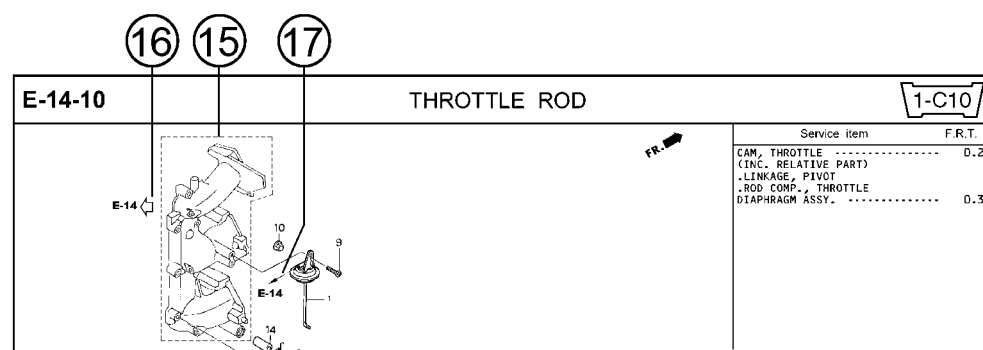
PART NAME INDEX					
Part name	Address	Page	Ref.		
[ A ]					
ABSORBER, FUEL	1-E15	62	5	BOLT,	
ARMATURE COMP.	1-D11	43	7	BOLT,	
ARM COMP., LINK JOINT	1-G6	85	18	BOLT,	
ARM COMP., SHIFT LINK	1-G6	85	14	BOLT,	
ARM COMP., TILT	1-F15	79	20		
ARM, FUEL PUMP ROCKER	1-C16	32	4		
ARM, REVERSE LOCK	1-F15	79	18		
ARM, SHIFT LINK	1-F11	74	7		
ARM, STOPPER	1-D1	33	12	BOLT,	
ARM, THROTTLE REMOTE	1-F11	74	6		
ARM, VALVE ROCKER	1-C16	32	3		
[ B ]					
BAG, TOOL, 160MM	1-G5	84	10		
BAND	1-G6	86	37		
BAND B1, WIRE	1-F6	69	1		
BAND, CORD	1-F3	67	18	BOLT,	
BAND, TUBE CLIP, 11MM	1-E15	63	20		
BAND, TUBE CLIP, 12.5MM	1-E15	63	19	BOLT,	

Page No.

**Part catalogue structure**

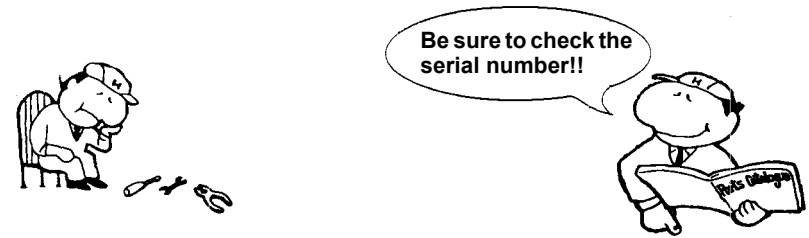


Ref. No.	Part No.	Description	Reqd. QTY						Serial No.	Parts catalogue code
			BF 9/901	BFP 9/901	BF 1001	BFP 1001	BF 1081	BFP 1081		
1	12166-zw9-000	STOPPER, ENGINE SIDE	2	2	2	2	2	2		
2	12210-zw9-000ZA	HEAD COMP., CYLINDER *NH8*	1	1	1	1	1	1		
3	12251-zw9-003	GASKET, CYLINDER HEAD	1	1	1	1	1	1		
4	12310-zw9-000	COVER COMP., HEAD	1	1	1	1	1	1		
5	12312-zw9-000	PACKING, HEAD COVER	1	1	1	1	1	1		
6	15611-921-000	CAP, OIL (NO GAUGE)	1	1	1	1	1	1		
7	16617-zw9-000	HOLDER, CABLE	1	1	1	1	1	1	SC,S6	
	16617-zw9-010		1	1	1	1	1	1	1001800 LHC,LHD	



- ① **Address number**
  - Address No. is provided (in place of the page No.) to help you refer to the part with the part No. or part name.
- ② **Block title** ③ **Block number**
- ④ **Service item/Flat rate time**
- ⑤ **Reference number**
  - Title number marked with the parenthesis or parentheses indicates that it continues from the previous page.
- ⑥ **Part number** ⑦ **Honda color code**
- ⑧ **Description**
- ⑨ **Assemblies**
  - Sections framed with broken lines in the exploded view drawings are available as complete assemblies. (Their individual parts can also be obtained.)
- ⑩ **Color description**
- ⑪ **Note**
  - Notes are shown with the parentheses in the part name column.
- ⑫ **Required quantity**
  - Required QTY shown in the parenthesis or parentheses indicates the optional part.
  - Required QTY marked with "N" Indicates the optional part that should be selected as needed.
  - Required QTY indicates the number of the part used in the block.
- ⑬ **Serial number**
- ⑭ **Type**
  - When the type column is blank, it indicates that the part is applicable to all types.
  - As the type of the actual unit may differ from the "parts catalogue, type" please refer to "Models, types and applicable serial numbers" for confirmation.
- ⑮ **[Dotted box]**
  - Parts enclosed within a dotted line [ ] are covered in a different block.
- ⑯ **[Hollow arrow]**
  - A hollow arrow [ ] indicates the block No. for the parts enclosed within a dotted line [ ] .
- ⑰ **[Solid arrow]**
  - A solid arrow [ ] indicates the block No. the part in question is connected to.

**When the parts were revised**



Ref. No.	Part No.	Description	Reqd. QTY						Serial No.
			BF 99D1	BFP 9.9D1	BF 10D1	BFP 10D1	BF 10B1	BFP 10B1	
1	12166-ZW9-000	STOPPER, ENGINE SIDE .....	2	2	2	2	2	2	
2	12210-ZW9-000ZA	HEAD COMP., CYLINDER *NH8*.....DARK GRAY	1	1	1	1	1	1	
3	12251-ZW9-003	GASKET, CYLINDER HEAD .....	1	1	1	1	1	1	
4	12310-ZW9-000	COVER COMP., HEAD .....	1	1	1	1	1	1	
5	12312-ZW9-000	PACKING, HEAD COVER .....	1	1	1	1	1	1	
6	15611-921-000	CAP, OIL (NO GAUGE) .....	1	1	1	1	1	1	
7	16617-ZW9-000	HOLDER, CABLE (###).....	1	1	1	1	1	1	SC, SG LHC, LHD 1001800 1001801
	16617-ZW9-010	.....	1	1	1	1	1	1	

The number has been used from the initial model without revision.

When shown at the left side, it is applicable to the models of No.1001801 and the subsequent numbers.

When shown at the right side, it is applicable to the models up to No.1001800.

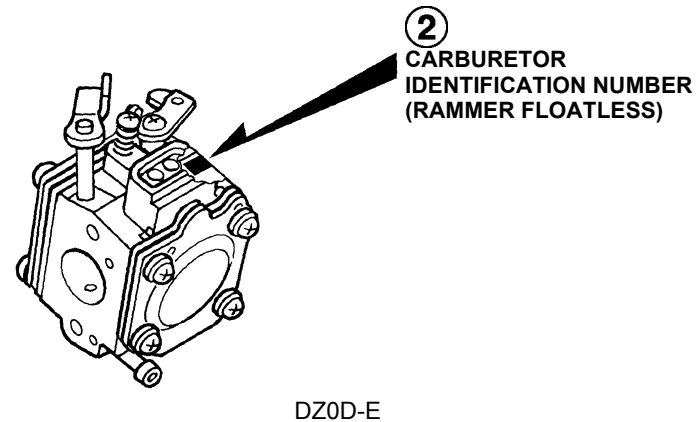
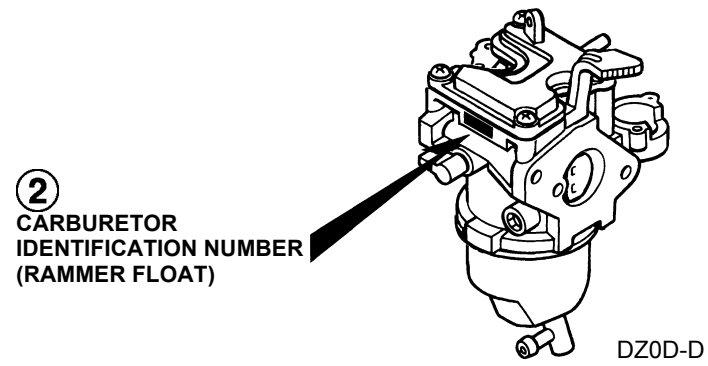
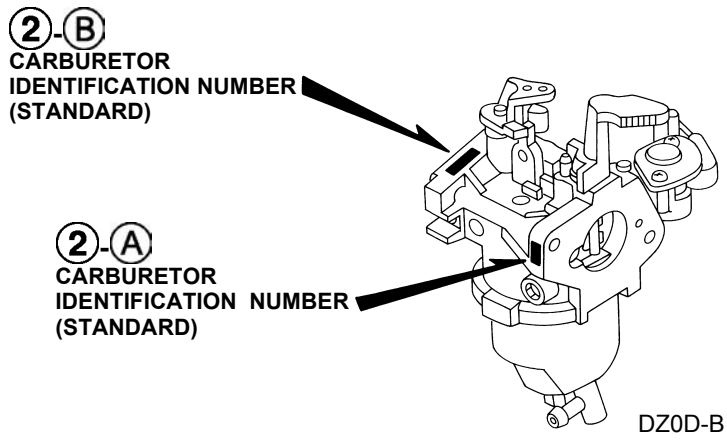
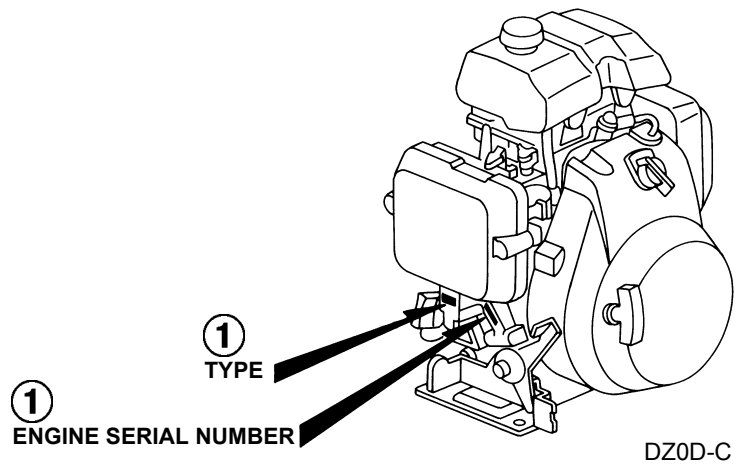
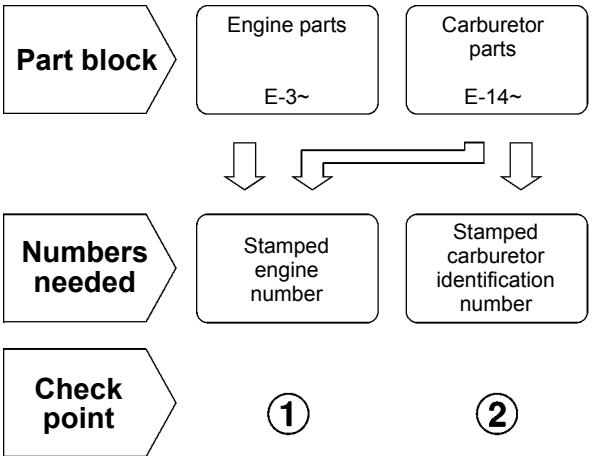
• The parts listed with "###" at the end of the parts name have limited supply period (parts not for sale).

**Abbreviations used in the parts catalogue**

• The following abbreviations are used in the parts name column.

- A ..... Ampere
- A.C. .... Alternating current
- ASSY. .... Assembly
- AT. .... Automatic transmission
- C.D.I. .... Capacitive discharge ignition
- COMP. ... Complete
- D.C. .... Direct current
- EX. .... Exhaust
- G.F.C.I ... Ground fault circuit interruptor
- HEX. .... Hexagonal
- H.S.T. .... Hydrostatic transmission
- FR. ....Front
- IN. ....Inlet
- L (100L) .Link (100 Links)
- L. ....Left
- MM .....Millimeter
- MT. ....Manual Transmission
- P.T.O. ....Power take off
- R. ....Right
- RR. ....Rear
- STD. ....Standard
- T (22T) ...Tooth (22 Teeth)
- V .....Volt
- W .....Watt

How to check the part block and serial numbers





### Models, parts catalogue codes and applicable serial numbers

- Models, parts catalogue codes and applicable serial Nos. given in this parts catalogue can be identified as follows.

Model	Type	Parts catalogue type	Applicable engine serial No.	Applicable carburetor identification No.
GX100	BE14	BE14	GCANM-1100001~1299999	BF32F B
		BE14/A	GCANM-1300001~	
	KR	KR	GCANM-1000001~1099999	BF33D A
		KR/A	GCANM-1100001~1299999	BF33D B
		KR/B	GCANM-1300001~	
	KRAM	KRAM	GCANM-1100001~1299999	HDA 206A
		KRAM/A	GCANM-1300001~	HDA 206A/B
	KRA2	KRA2	GCANM-1000001~1099999	BF33D A
		KRA2/A	GCANM-1100001~1299999	BF33D B
		KRA2/B	GCANM-1300001~	
	KRB	KRB	GCANM-1000001~1099999	BF33D A
		KRB/A	GCANM-1100001~1299999	BF33D B
		KRB/B	GCANM-1300001~	
	KRBD	GCANM-1100001~1299999		
	KRBM	KRBD/A	GCANM-1300001~	HDA 201C
		KRBM		
	KRB1	KRB1	GCANM-1100001~1299999	BF33D B
		KRB1/A	GCANM-1300001~	
	KRB4	KRB4	GCANM-1000001~1099999	BF33D A
		KRB4/A	GCANM-1100001~1299999	BF33D B
		KRB4/B	GCANM-1300001~	
	KRE	KRE	GCANM-1000001~1099999	BF33D A
		KRE/A	GCANM-1100001~1299999	BF33D B
		KRE/B	GCANM-1300001~	
KRE4	KRE4	GCANM-1000001~1099999	HDA 201A	
	KRE4/A	GCANM-1100001~1299999		
	KRE4/B	GCANM-1300001~	HDA 201A/B/C	

Model	Type	Parts catalogue type	Applicable engine serial No.	Applicable carburetor identification No.	
GX100	KRF2	KRF2	GCANM-1300001~	HDA 201B/C	
	KRG	KRG	GCANM-1000001~1099999	HDA 206A	
		KRG/A	GCANM-1100001~1299999		
		KRG/B	GCANM-1300001~	HDA 206A/B	
	KRM	HDA 201A/B/C			
	KRMB	HDA 201C			
	KRMG	HDA 206B			
	KRS	KRS		GCANM-1100001~1299999	BF33D B
		KRS/A	GCANM-1300001~		
	KRS2	KRS2		HDA 201A/B/C	
	KRW	KRW	GCANM-1100001~1299999	BF33D B	
	KRW2	KRW2			GCANM-1300001~
		KR4	KR4	GCANM-1000001~1099999	HDA 201A
	KR4/A		GCANM-1100001~1299999		
	KR4/B		GCANM-1300001~	HDA 201A/B/C	
	QAD	QAD	GCANM-1100001~1299999	BF32F B	
		QAD/A	GCANM-1300001~		
	QA2	QA2	GCANM-1000001~1099999	BF32F A	
		QA2/A	GCANM-1100001~1299999	BF32F B	
		QA2/B	GCANM-1300001~		
	QA26	QA26	GCANM-1000001~1099999	BF32F A	
		QA26/A	GCANM-1100001~1299999	BF32F B	
		QA26/B	GCANM-1300001~		
	QBE	QBE	GCANM-1000001~1099999	BF32F A	
	QD	QD			GCANM-1100001~1299999
		QD/A			GCANM-1300001~
		QD/B	GCANM-1300001~		

Model	Type	Parts catalogue type	Applicable engine serial No.	Applicable carburetor identification No.
GX100	QE	QE	GCANM-1000001~1099999	BF32F A
		QE/A	GCANM-1100001~1299999	BF32F B
		QE/B	GCANM-1300001~	
	QE14	QE14	GCANM-1100001~1299999	
		QE14/A	GCANM-1300001~	
	QXU2	QXU2		
	SA2	SA2	GCANM-1100001~1299999	
		SA2/A	GCANM-1300001~	
	SD	SD	GCANM-1000001~1099999	BF32F A
		SD/A	GCANM-1100001~1299999	BF32F B
		SD/B	GCANM-1300001~	
	SE	SE	GCANM-1000001~1099999	BF32F A
		SE/A	GCANM-1100001~1299999	BF32F B
		SE/B	GCANM-1300001~	
	SE14	SE14	GCANM-1100001~1299999	
		SE14/A	GCANM-1300001~	
	SE3	SE3	GCANM-1100001~1299999	
		SE3/A	GCANM-1300001~	
	SJ	SJ	GCANM-1000001~1099999	BF32F A
		SJ/A	GCANM-1100001~1299999	BF32F B
		SJ/B	GCANM-1300001~	
	SJH	SJH	GCANM-1100001~1299999	
		SJH/A	GCANM-1300001~	
	SMG	SMG	GCANM-1100001~1299999	
SMG/A		GCANM-1300001~		
VA2	VA2	GCANM-1000001~1099999	BF32F A	
	VA2/A	GCANM-1100001~1299999	BF32F B	
	VA2/B	GCANM-1300001~		

Model	Type	Parts catalogue type	Applicable engine serial No.	Applicable carburetor identification No.
GX100	VEA	VEA	GCANM-1300001~	BF32F B
	VEG	VEG		
	VE3	VE3	GCANM-1100001~1299999	
		VE3/A	GCANM-1300001~	
	VE4	VE4	GCANM-1000001~1099999	BF32F A
		VE4/A	GCANM-1100001~1299999	BF32F B
		VE4/B	GCANM-1300001~	
	VSW	VSW	GCANM-1100001~1299999	BF31F A
		VSW/A	GCANM-1300001~	
	VSW4	VSW4		
	WD	WD	GCANM-1000001~1099999	BF32F A
		WD/A	GCANM-1100001~1299999	BF32F B
		WD/B	GCANM-1300001~	
	WJ	WJ	GCANM-1000001~1099999	BF32F A
WJ/A		GCANM-1100001~1299999	BF32F B	
WJ/B		GCANM-1300001~		

\* Of carburetor identification numbers, only the portions underlined in the example below are used for registration.

STANDARD    BF 33DA KC †  
 RAMMER FLOAT    BF 32FA KC †  
 RAMMER FLOATLESS    HDA 201A

Features of each type

• See the following table for the features of each type.

Specifications		Model	GX100															
		Type	BE14	KR	KRAM	KRA2	KRB	KRBD	KRBM	KRB1	KRB4	KRE	KRE4	KRF2	KRG	KRM	KRMB	KRMG
Crankshaft	15.8mm Ø Straight																	
	15mm Ø Straight																	
	17mm Ø Straight	●																
	Tapered			●										●				●
	M10 Stepped thread																	
	M12 Stepped thread		●			●	●	●	●	●	●	●	●	●		●	●	
Oil alert unit																		
Fuel tank		●																

Specifications		Model	GX100															
		Type	KRS	KRS2	KRW	KRW2	KR4	QAD	QA2	QA26	QBE	QD	QE	QE14	QXU2	SA2	SD	SE
Crankshaft	15.8mm Ø Straight						●	●	●	●	●	●	●	●				
	15mm Ø Straight															●	●	●
	17mm Ø Straight																	
	Tapered			●														
	M10 Stepped thread																	
	M12 Stepped thread	●	●			●	●											
Oil alert unit														●				
Fuel tank							●	●	●	●	●	●	●	●	●	●	●	●

Specifications		Model	GX100													
		Type	SE14	SE3	SJ	SJH	SMG	VA2	VEA	VEG	VE3	VE4	VSW	VSW4	WD	WJ
Crankshaft	15.8mm Ø Straight															
	15mm Ø Straight	●	●	●	●	●										
	17mm Ø Straight															
	Tapered						●	●	●	●	●	●	●			
	M10 Stepped thread														●	●
	M12 Stepped thread															
Oil alert unit							●				●					
Fuel tank		●	●	●	●	●	●	●	●	●	●			●	●	

## Fuel hose, general purpose hoses and vinyl hose

- The standard part fuel hose, general purpose hose and vinyl hose may be substituted by the coiled bulk part.
- When ordering the standard part fuel hose, general purpose hose and vinyl hose use the bulk part number written in the parts catalog in brackets ( ) underneath the part name.
- When exchanging the hose, cut and use at the specified length as mentioned in the part name.  
(For the method of cutting the bulk part, and method of filling out orders etc., please refer to the instructions issued with the bulk part.)

### Bulk part number of fuel hose, general purpose hose and vinyl hose.

Example: 9 5 0 0 1 - 7 5 0 0 1 - 5 0 M

**Bulk part number:**  
Refers to the bulk part.

**Marking code (fuel hose and general purpose hose)**

**Change code (Vinyl hose)**

Indicates number mark or change sequence, however, the code for the bulk part must be strictly 0 (zero).

**Types of code:**

- |             |  |                |  |              |   |
|-------------|--|----------------|--|--------------|---|
| • Fuel hose | 2: Red outside braid<br>(3 mm inside dia. only)        | • General hose | 1: Ash gray<br>2: Ash gray<br>3: Black<br>5: Black | • Vinyl hose | 1: Clear<br>2: Black<br>3: Light red<br>6: Light red<br>7: Pale black |
|             | 5: Black inside braid                                  |                |  |              |   |
|             | 3: Red (3 mm inside dia. only)                         |                |  |              |   |
|             | 4: Ash gray with red stripe<br>(3 mm inside dia. only) |                |  |              |   |
|             | 6: Black   |                |  |              |   |

**Lengths:**

- 001: 1 m (standard)  
003: 3 m  
008: 8 m } Application or specification of some parts is not settled.

**I.D code: (fuel hose and general purpose hose)**

- |            |                    |                    |                             |                             |
|------------|--------------------|--------------------|-----------------------------|-----------------------------|
| 30: 3.0 mm | 50: 5.0 mm         | 70: 7.0 mm         | 11: 11 mm                   | 12: 12 (outside dia. 17) mm |
| 35: 3.5 mm | 55: 5.3 mm, 5.5 mm | 75: 7.3 mm, 7.5 mm | 91: 12 (outside dia. 15) mm | 14: 14 mm                   |
| 45: 4.5 mm | 65: 6.5 mm         | 80: 8.0 mm         | 92: 12 (outside dia. 16) mm | 17: 17 mm                   |

**ID./OD. code: (vinyl hose)**

- |                         |                          |                           |                           |                           |
|-------------------------|--------------------------|---------------------------|---------------------------|---------------------------|
| 01: ID. 2.9, OD. 6.8 mm | 12: ID. 5.0, OD. 7.0 mm  | 21: ID. 8.0, OD. 9.0 mm   | 37: ID. 11.0, OD. 15.0 mm | 50: ID. 16.0, OD. 19.0 mm |
| 03: ID. 3.0, OD. 6.0 mm | 10: ID. 5.0, OD. 8.0 mm  | 23: ID. 8.0, OD. 12.0 mm  | 38: ID. 12.0, OD. 13.0 mm | 55: ID. 17.5, OD. 20.5 mm |
| 05: ID. 3.5, OD. 6.5 mm | 11: ID. 5.0, OD. 9.0 mm  | 25: ID. 9.0, OD. 11.0 mm  | 39: ID. 12.0, OD. 14.0 mm | 60: ID. 22.0, OD. 27.0 mm |
| 07: ID. 4.0, OD. 7.0 mm | 14: ID. 6.0, OD. 9.0 mm  | 27: ID. 9.0, OD. 13.0 mm  | 40: ID. 12.0, OD. 16.0 mm |                           |
| 08: ID. 4.5, OD. 6.5 mm | 17: ID. 7.0, OD. 9.0 mm  | 33: ID. 10.0, OD. 14.0 mm | 43: ID. 13.0, OD. 15.0 mm |                           |
| 09: ID. 4.5, OD. 8.0 mm | 19: ID. 7.0, OD. 11.0 mm | 36: ID. 11.0, OD. 13.0 mm | 45: ID. 14.0, OD. 18.0 mm |                           |

**Hose type:**

- 1: Fuel hose  
3: Vinyl hose  
5: General hose

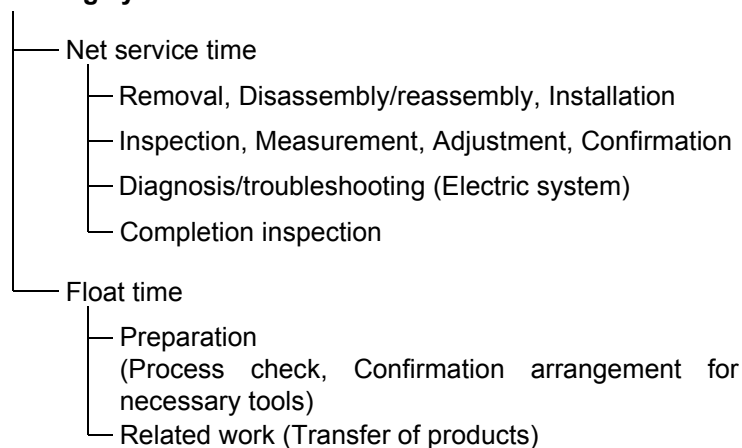
⊙ **CAUTION: It is DANGEROUS to confuse the fuel hose with the general purpose hose or vinyl hose.**

Never use a general purpose hose or vinyl hose in place of a fuel hose or vice versa. Always use the correct bulk part in the parts catalogue, according to the service manual or the instructions issued with the bulk part.

## FLAT RATE SERVICE TIME

Flat rate service time (FRT) means the standard time required to service a product, which is listed in this manual to help the dealers control the actual working process and calculate the service charge by using it as a guide.

### FRT setting system



\* Float time is set by multiplying the net service time by a given coefficient.

### Editorial style

The service items shown in the text are listed with the exchange work time for the repair sales parts as the subject. Other representative service items not using repair parts (removal/installation, adjustment, inspection/measuring, and other work) are listed collectively in the list in the preface, classified according to the work.

### FRT setting standard

- Decimal system (in unit of 0.1) is adopted to set FRT as it is convenient to calculate the wage.  
Example: (0.1) → 6 minutes, (0.2) → 12 minutes  
[Labor cost per hour] x [FRT] = [Wage]
- FRT is set with a hand tool.
- Service items and FRT can be subject to change depending on development of tools and service equipment and improvement in service procedure.



**Work procedure**

- As the work procedure is set with the work time according to the method in the separate Service Manual, refer to this Manual as required.
- Work methods permitting servicing in the shortest time still permitting assurance of safe work and product warranty are used for the setting of service items not listed in the Service Manual.
- Work basically is to be performed by one person, and when two or more people are required, setting is done as the total time for the number of people.
- The set value for the technological level of the workers uses a person with three years of experience in the repair of Honda products as the standard.
- Special tools and service equipment used to set FRT are those specified or recommended in Service Manual.

**Service item whose FRT is not presented**

- Accessories and service parts that are not listed to use in this manual.
  - Locations with little aging deterioration or breakage during normal use.
  - Service work that can be finished by one touch.
  - Service work that is seldom done (i.e. extremely small causes of trouble and service frequency).
  - Products and parts whose location for installation differs according to its status of use and application.
- \* When FRT is not presented, please calculate wages based on appropriate actual work time.

**Operation not included of FRT**

- Oil and coolant water draining, Waiting time for warming up operation and etc..
- Additional operation that involves removal/installation of standard exterior equipment.
- Indirect time spent for service by visiting the customer, trade-in, and delivery.
- Indirect time required for ordering and delivery of parts.
- Cost for grease, adhesive agent, etc. used for service work.

**Explanation of FRT by using an example  
(The example may differ from the actual presented items)**

Ref. No.	L.O.N.	(Relative ref. Number) Description	F.R.T.
①	1111L1	(1, 3, 4, 7) VALVE, INTAKE .....4.1	②
③	1111L1A	• NOTE: OHV type • Includes: Engine removal and installation	⑦
		One head (intake all) add .....1.4	⑤

- ① Reference No. of the illustration of part that shows location of the replacement work.
- ② FRT is an abbreviation of Flat Rate Time indicating the standard service time required for the replacement.
- ③ LON is an abbreviation of Labor Operation Number, and it is a classification of the service items by the work unit code.

The same operation code is used regardless of the models.

Standard operation is indicated with 6 digits code, and additional operation is indicated with 7 digits code.

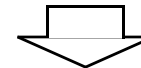
- ④ Indicating the intake valve replacement and FRT4.1.
- ⑤ Indicating FRT1.4 that will be added when additional operation (whole intake side of one cylinder head) is done in association with intake valve replacement.

- ⑥ Indicating work condition or application condition of the service item.
- ⑦ Indicating work contents that are included in the service item.
- ⑧ Indicating a reference No. whose operation and time are the same as FRT4.1 for the intake valve.

(The application range is limited to the service items without an LON setting within a same block.)

**How to refer to the service item by using the sample  
(intake valve replacement)**

Open to the page of the block where the intake valve's spare part illustration is shown.



Look for the intake valve illustration, and refer to the service item and FRT that agree with the reference No.

Indication mark for the listing of service items that continues to the following page

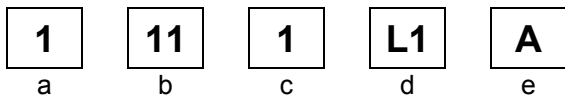
Ref. No.	L.O.N.	(Relative ref. Number) Description	F.R.T.
2	1111L1	VALVE, INTAKE .....	4.1
	.	.	.
	.	.	.

+  
Mark indicated at the last line.

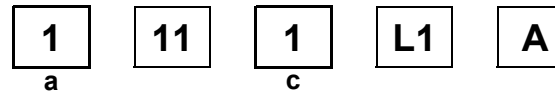
Indication of the block with no setting of FRT

Ref. No.	L.O.N.	(Relative ref. Number) Description	F.R.T.
<b>NO INFORMATION .....</b>			

• LON code system



- a) Category code..... Engine
- b) Location/function code ..... Engine upper
- c) Operation code..... Replace
- d) Operation sequence number (Unit code can be shown with alphabet)  
..... Intake valve  
(No regular rule of code)
- e) Additional code ..... One head (intake all)  
(No regular rule of code)



a) Category codes and classification

Code	Category
1	Engine
2	Power drive
3	Fuel & Exhaust
4	Frame & Body
5	Steering
6	Electrical
7	Axle & Brake
8	Control system
9	-
0	Attachments

c) Operation codes and classification

Code	Operation category
1	Replace, Removal/Installation, Change
2	Overhaul
3	Adjust, Rotation
4	(Paint-related work: Top-coat)
5	Test, Inspect/diagnose, Measurement
6	(Overhaul-related work: Rebore)
7	(Overhaul-related work: Reseal)
8	(Resurface)
9	(Paint-related work: Refinish)
0	Repair, Cleaning, Air bleeding

Major service items without using spare parts

(1) Removal/Installation, (2) Adjustment, (3) Inspection/Measurement, (4) Overhaul, (5) Other work

E: Engine, T: Transmission, D: Drive system, B: Body and related parts

### (2) Adjustment

	LON	DESCRIPTION	FRT
E	1113A1	<b>VALVE CLEARANCE-ADJUSTMENT</b> NOTE: For 1 product	0.3
	1163A0	<b>CONTROL, THROTTLE/GOVERNOR-ADJUSTMENT</b>	0.2
	3113A2	<b>CARBURETOR IDLE-ADJUSTMENT</b>	0.2

### (3) Inspection, Measurement, Cleaning

	LON	DESCRIPTION	FRT
E	1105A0	<b>ENGINE OIL-INSPECTION</b>	0.1
	3120A0	<b>AIR CLEANER-CLEANING</b> INCLUDES: Air cleaner-inspection	0.2
	3130A0	<b>SPARK ARRESTER-CLEANING</b>	0.2
	6140A0	<b>SPARK PLUG-ADJUSTMENT/CLEANING</b> NOTE: For 1 product	0.1

### (4) Overhaul

Work condition: The required Measurements, inspections, adjustments, and cleaning/washing of each part are performed, including the main body removal/installation work and the replacement of defective parts.

	LON	DESCRIPTION	FRT
E	3112A0	<b>CARBURETOR-OVERHAUL</b> INCLUDES: All necessary adjustment	0.6

### (5) Other work

	LON	DESCRIPTION	FRT
E	1101E1	<b>ENGINE OIL-CHANGE</b> INCLUDES: Engine oil-inspection	0.2

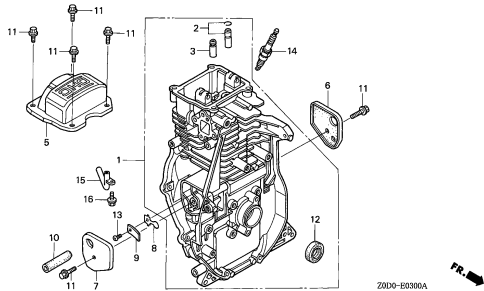
# ENGINE GROUP

C 2

E-3

CYLINDER BARREL

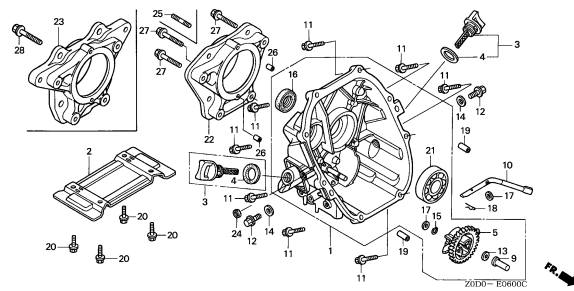
D 1



E-6

CRANKCASE COVER

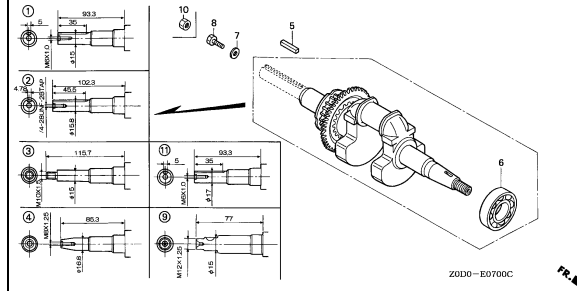
D 3



E-7

CRANKSHAFT

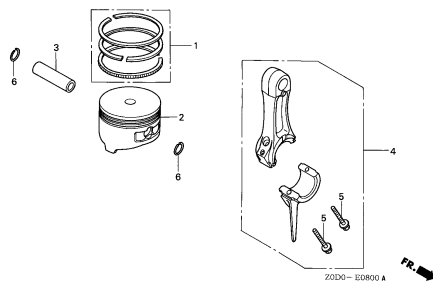
D 6



E-8

PISTON/CONNECTING ROD

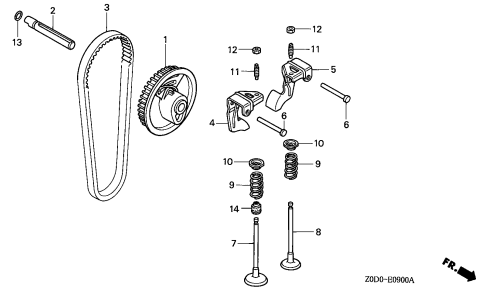
D 7



E-9

CAMSHAFT

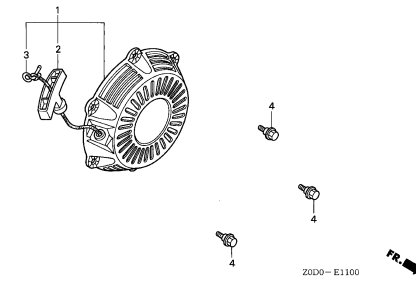
D 8



E-11

RECOIL STARTER(STANDARD)

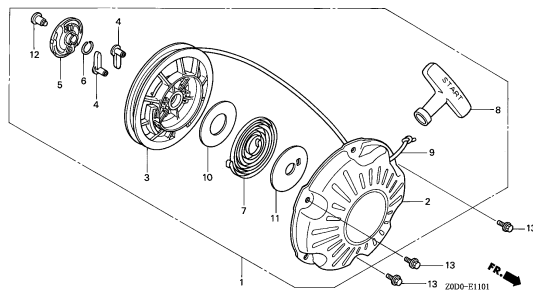
D10



E-11-1

RECOIL STARTER(RAMMER)

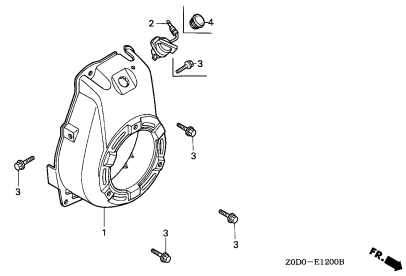
D11



E-12

FAN COVER

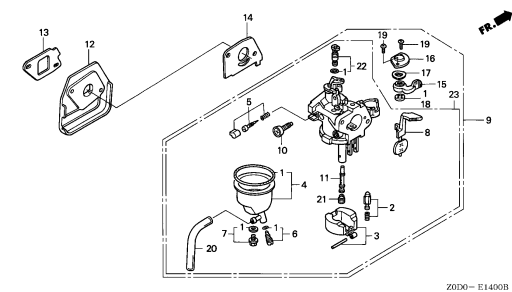
D14



E-14

CARBURETOR(STANDARD)

D16



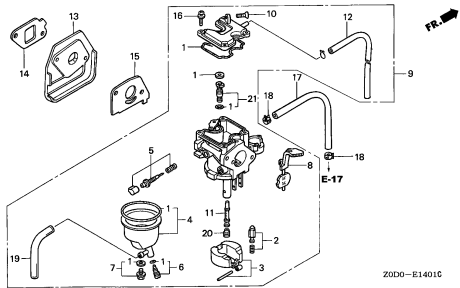
# ENGINE GROUP

C 3

E-14-1

CARBURETOR(RAMMER FLOAT)

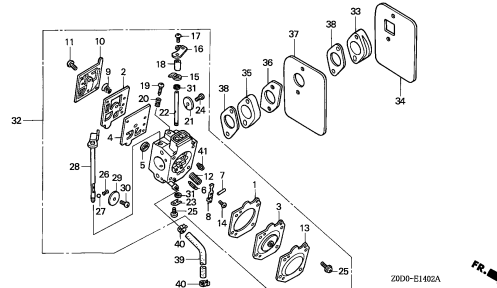
E 3



E-14-2

CARBURETOR(RAMMER FLOATLESS)

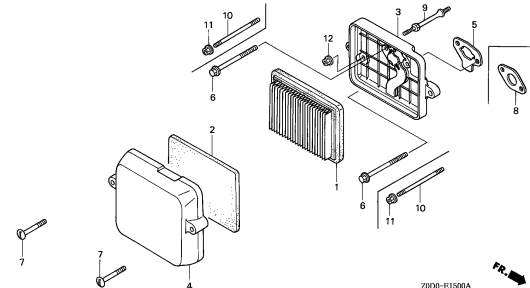
E 6



E-15

AIR CLEANER

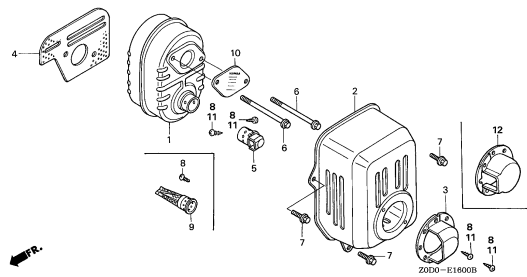
E 9



E-16

MUFFLER(STANDARD)

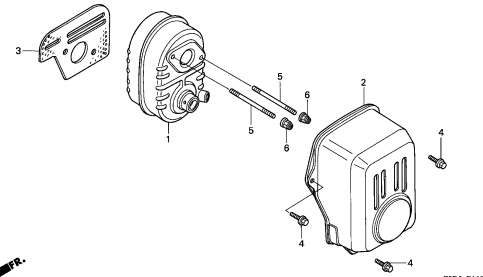
E12



E-16-1

MUFFLER(RAMMER)

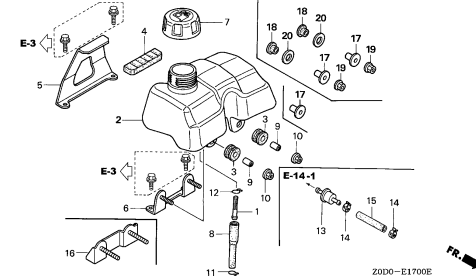
E14



E-17

FUEL TANK

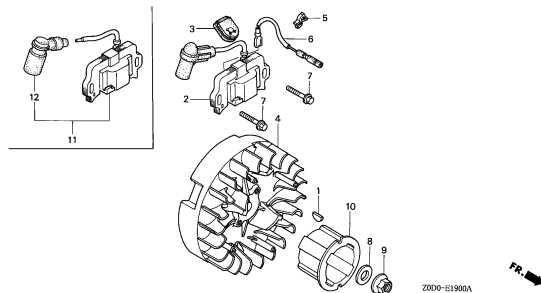
E15



E-19

FLYWHEEL/IGNITION COIL

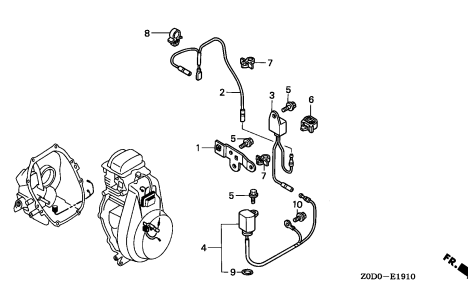
F 2



E-19-10

OIL ALERT/OIL LEVEL SWITCH

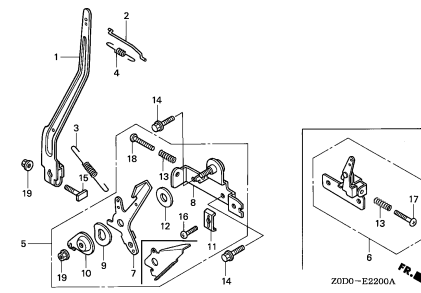
F 4



E-22

CONTROL(STANDARD)

F 5



2

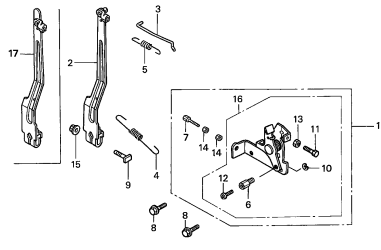
# ENGINE GROUP

**C 4**

**E-22-1**

CONTROL(RAMMER REMOTE)(1)

**F 8**

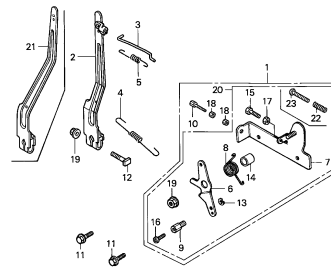


Z0D0-E2201B

**E-22-2**

CONTROL(RAMMER REMOTE)(2)

**F10**

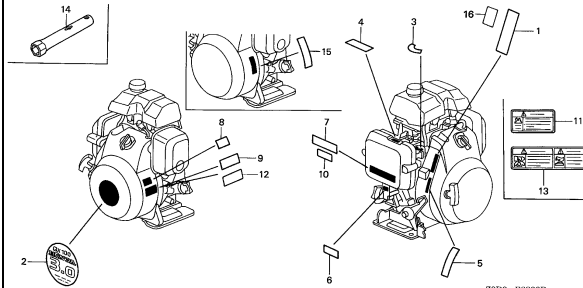


Z0D0-E2202C

**E-28**

LABEL

**F12**

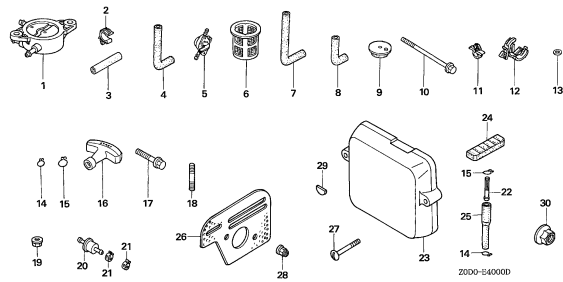


Z0D0-E2800D

**E-40**

OTHER PARTS

**F15**

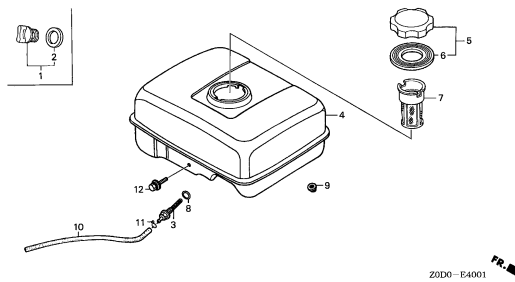


Z0D0-E4000D

**E-40-1**

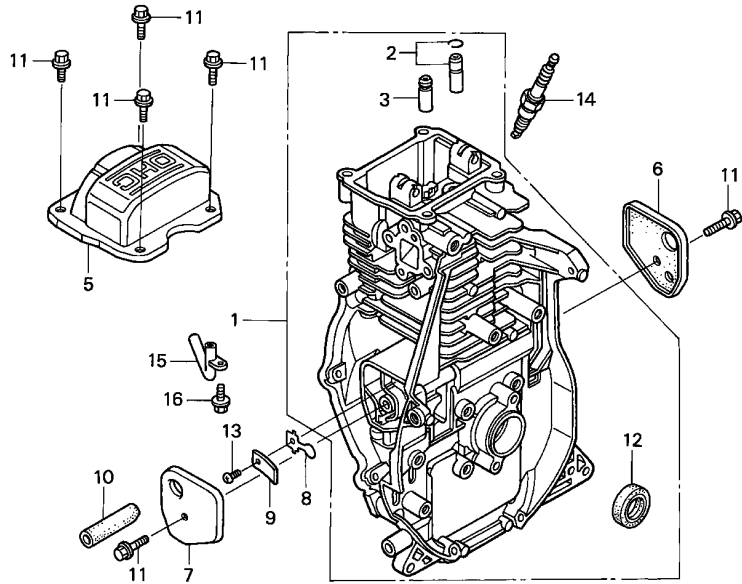
FUEL TANK

**G 1**



Z0D0-E4001

**2**



Z0D0-E0300A

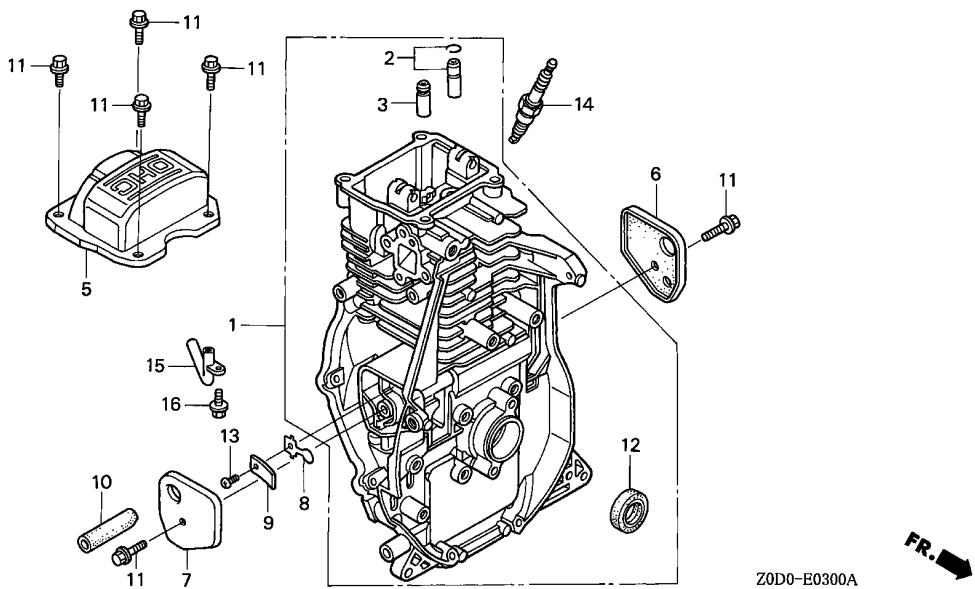


Ref. No.	L.O.N.	(Relative ref. Number) Description	F.R.T.
1	1101A0	BARREL, CYLINDER .....	1.8
5	1111D5	COVER, CYLINDER HEAD AND/OR PACKING, HEAD COVER .....	0.2
6	1111S4	COVER A, BREATHER AND/OR PACKING, BREATHER COVER .....	0.3
7	1111S5	COVER B, BREATHER AND/OR PACKING, BREATHER COVER .....	0.3
8		(9)	
	1171A8	VALVE, OIL OUTLET .....	0.3
10	1111K5	TUBE, BREATHER .....	0.3
12	1101E4	OIL SEAL, CRANKSHAFT :FRONT ..	1.3
14	6141C1	PLUG, SPARK .....	0.1
15	1111G1	PIPE, BREATHER .....	0.3

Ref. No.	Part No.	Description	Reqd. QTY	Serial No.	Parts catalogue code
			GX 100		
1	12000-Z0D-405	BARREL ASSY., CYLINDER .....	1		
2	12201-Z0D-305	GUIDE ASSY., EX. VALVE (O.S.)	(1)		
3	12204-Z0D-305	GUIDE, IN. VALVE (O.S.) .....	(1)		
5	12311-Z0D-000	COVER, HEAD .....	1		
6	12355-Z0D-000	COVER COMP. A, BREATHER .....	1		
7	12365-Z0D-000	COVER COMP. B, BREATHER .....	1		BE14, BE14/A, KR, KR/A, KR/B, KRAM, KRAM/A, KRA2, KRA2/A, KRA2/B, KRB, KRB/A, KRB/B, KRBD, KRBD/A, KRBM, KRB1, KRB1/A, KRB4, KRB4/A, KRB4/B, KRE, KRE/A, KRE/B, KRE4, KRE4/A, KRE4/B, KRF2, KRG, KRG/A, KRG/B, KRM, KRMB, KRMG, KRS, KRS/A, KRS2, KRW, KRW2, KRW2/A, KR4, KR4/A, KR4/B, QAD, QAD/A, QA2, QA2/A, QA2/B, QA26, QA26/A, QA26/B, QBE, QD, QD/A, QD/B, QE, QE/A, QE/B, QD, QD/A, QD/B, QE, QE/A, QE/B, QE14, QE14/A, QXU2, SA2, SA2/A, SD, SD/A, SD/B, SE, SE/A, SE/B, SE14, SE14/A, SE3, SE3/A, SJ, SJ/A, SJ/B, SJH, SJH/A, SMG, SMG/A, VA2, VA2/A, VA2/B, VEA, VEG, VE3, VE3/A, VE4, VE4/A, VE4/B, WD, WD/A, WD/B, WJ, WJ/A, WJ/B
8	12365-Z0D-U00	.....	1		VSW, VSW/A, VSW4
	15571-ZM7-003	VALVE, OIL OUTLET .....	1		BE14, BE14/A, KR, KR/A, KR/B, KRA2, KRA2/A, KRA2/B, KRE, KRE/A, KRE/B, KRE4, KRE4/A, KRE4/B, KRF2, KRM, KRMB, KRS, KRS/A, KRS2, KRW, KRW2, KRW2/A, KR4, KR4/A, KR4/B, QAD, QAD/A, QA2, QA2/A, QA2/B, QA26, QA26/A, QA26/B, QBE, QD, QD/A, QD/B, QE, QE/A, QE/B, QE14, QE14/A, QXU2, SA2, SA2/A, SD, SD/A, SD/B, SE, SE/A, SE/B, SE14, SE14/A, SE3, SE3/A, SJ, SJ/A, SJ/B, SJH, SJH/A, SMG, SMG/A, VA2, VA2/A, VA2/B, VEA, VEG, VE3, VE3/A, VE4, VE4/A, VE4/B, VSW, VSW/A, VSW4, WD, WD/A, WD/B, WJ, WJ/A, WJ/B
	15571-Z0D-V71	.....	1		KRAM, KRAM/A, KRB, KRB/A, KRB/B, KRBD, KRBD/A, KRBM, KRB1, KRB1/A, KRB4, KRB4/A, KRB4/B, KRG, KRG/A, KRG/B, KRMG
9	15572-ZM7-000	PLATE, STOPPER .....	1		
10	15721-Z0D-000	TUBE, BREATHER .....	1		BE14, BE14/A, KR, KR/A, KR/B, KRA2, KRA2/A, KRA2/B, KRB, KRB/A, KRB/B, KRBD, KRBD/A, KRB1, KRB1/A, KRB4, KRB4/A, KRB4/B, KRE, KRE/A, KRE/B, KRS, KRS/A, KRS2, KRW2, KRW2/A, QAD, QAD/A, QA2, QA2/A, QA2/B, QA26, QA26/A, QA26/B, QBE, QD, QD/A, QD/B, QE, QE/A, QE/B, QE14, QE14/A, QXU2, SA2, SA2/A, SD, SD/A, SD/B, SE, SE/A, SE/B, SE14, SE14/A, SE3, SE3/A, SJ, SJ/A, SJ/B, SJH, SJH/A, SMG, SMG/A, VA2, VA2/A, VA2/B, VEA, VEG, VE3, VE3/A, VE4, VE4/A, VE4/B, VSW, VSW/A, VSW4, WD, WD/A, WD/B, WJ, WJ/A, WJ/B

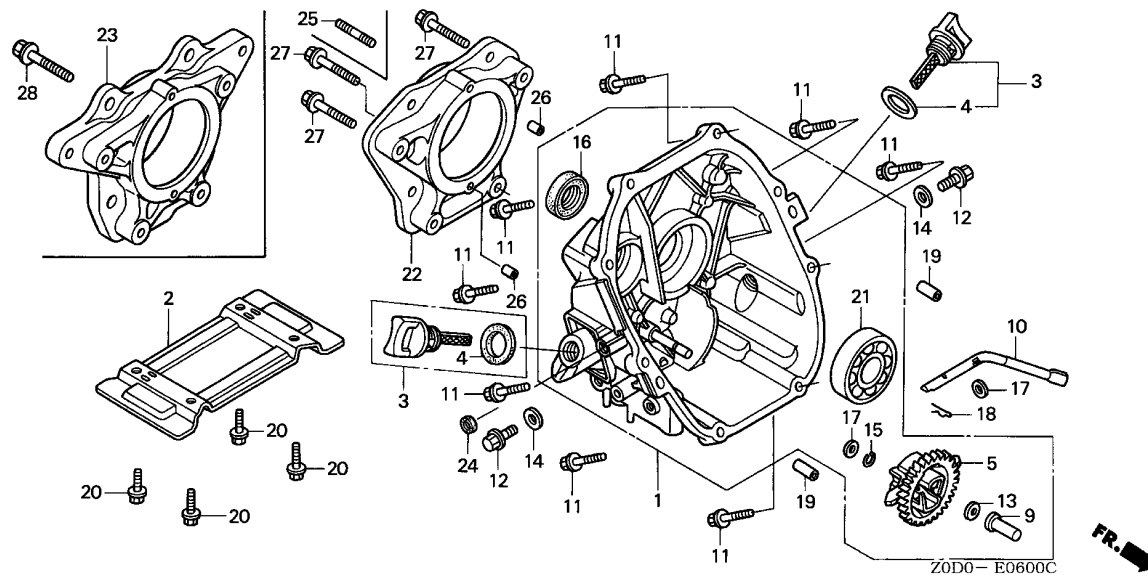






Z0D0-E0300A

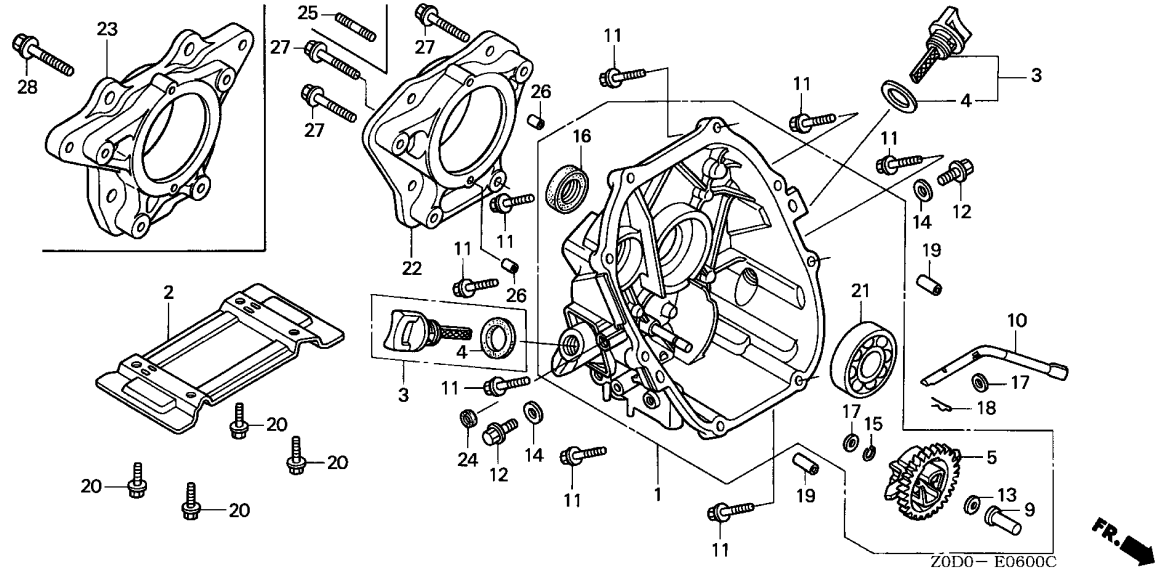
Ref. No.	Part No.	Description	Reqd. QTY		Serial No.	Parts catalogue code
			GX	100		
10)	15721-Z0D-V00	TUBE, BREATHER .....	1	-----	-----	KRBM,KRE4,KRE4/A,KRE4/B,KRF2,KRM,KRMB,KRMG,KRW,KR4,KR4/A,KR4/B
	15721-Z0D-V70	TUBE, BREATHER (BOMAG) .....	1	-----	-----	KRAM,KRAM/A,KRG,KRG/A,KRG/B
	11	90014-952-000	BOLT, FLANGE, 6X14(CT200) ...	6	-----	-----
	12	91202-KJ9-003	OIL SEAL, 20X32X6 .....	1	-----	-----
	13	93500-03005-0A	SCREW, PAN, 3X5 .....	1	-----	-----
	14	98056-55757	PLUG, SPARK (U16FSR-UB) .....	1	-----	-----
		98056-55777	PLUG, SPARK (CR5HSB) .....	1	-----	-----
	15	15171-Z0D-V00	PIPE, BREATHER .....	1	-----	-----
					-----	KR,KR/A,KR/B,KRAM,KRAM/A,KRA2,KRA2/A,KRA2/B,KRB,KRB/A,KRB/B,KRBD,KRBD/A KRBM,KRB1,KRB1/A,KRB4,KRB4/A,KRB4/B,KRE,KRE/A,KRE/B,KRE4,KRE4/A,KRE4/B KRF2,KRG,KRG/A,KRG/B,KRM,KRMB,KRMG,KRS,KRS/A,KRS2,KRW,KRW2,KRW2/A,KR4 KR4/A,KR4/B,VSW,VSW/A,VSW4
	16	90008-ZM7-000	BOLT, 4X10 .....	1	-----	-----
					-----	KR,KR/A,KR/B,KRAM,KRAM/A,KRA2,KRA2/A,KRA2/B,KRB,KRB/A,KRB/B,KRBD,KRBD/A KRBM,KRB1,KRB1/A,KRB4,KRB4/A,KRB4/B,KRE,KRE/A,KRE/B,KRE4,KRE4/A,KRE4/B KRF2,KRG,KRG/A,KRG/B,KRM,KRMB,KRMG,KRS,KRS/A,KRS2,KRW,KRW2,KRW2/A,KR4 KR4/A,KR4/B,VSW,VSW/A,VSW4



Ref. No.	L.O.N.	(Relative ref. Number) Description	F.R.T.
1	1101F1	COVER, CRANKCASE .....	0.8
2	4101A5	BED, ENGINE .....	0.1
4	1101C6	PACKING, OIL FILLER CAP .....	0.1
5	1161C4	GOVERNOR ASSEMBLY .....	0.9
9	1161B6	SLIDER, GOVERNOR .....	0.8
10	1161B4	SHAFT, GOVERNOR ARM .....	0.8
16	1101E5	OIL SEAL, CRANKSHAFT :REAR ...	0.9
21	1101A6	BEARING, CRANKSHAFT :REAR ....	1.0
22		(23)	
	2141R7	FLANGE, POWER TAKE OFF .....	0.2

Ref. No.	Part No.	Description	Reqd. QTY		Serial No.	Parts catalogue code
			GX	100		
1	11300-Z0D-405	COVER ASSY., CRANKCASE .....	1		-----	BE14, BE14/A, SA2, SA2/A, SD, SD/A, SD/B, SE, SE/A, SE/B, SE14, SE14/A, SE3, SE3/A, SJ, SJ/A, SJ/B, SJH, SJH/A, SMG, SMG/A, VEA, VEG, VE3, VE3/A, WD, WD/A, WD/B, WJ, WJ/A, WJ/B
	11300-Z0D-406	.....	1		-----	QAD, QAD/A, QA2, QA2/A, QA2/B, QA26, QA26/A, QA26/B, QBE, QD, QD/A, QD/B, QE, QE/A, QE/B, QE14, QE14/A
	11300-Z0D-407	.....	1		-----	QXU2, VA2, VA2/A, VA2/B, VE4, VE4/A, VE4/B
	11300-Z0D-409	.....	1		-----	KR, KR/A, KR/B, KRA2, KRA2/A, KRA2/B, KRB, KRB/A, KRB/B, KRBD, KRBD/A, KRBM, KRB1, KRB1/A, KRB4, KRB4/A, KRB4/B, KRE, KRE/A, KRE/B, KRE4, KRE4/A, KRE4/B, KRF2, KRMB, KRS, KRS/A, KRS2, KRW, KRW2, KRW2/A, KR4, KR4/A, KR4/B
	11300-Z0D-Q00	.....	1		-----	KRAM, KRAM/A, KRG, KRG/A, KRG/B, KRMG
	11300-Z0D-Q10	.....	1		-----	VSW, VSW/A, VSW4
2	12351-Z0D-000	BED, ENGINE .....	1		-----	QAD, QAD/A, QA2, QA2/A, QA2/B, QA26, QA26/A, QA26/B, QD, QD/A, QD/B, QE, QE/A, QE/B, QXU2, SA2, SA2/A, SD, SD/A, SD/B, SE, SE/A, SE/B, SJ, SJ/A, SJ/B, SJH, SJH/A, SMG, SMG/A, VA2, VA2/A, VA2/B, VE4, VE4/A, VE4/B, WD, WD/A, WD/B, WJ, WJ/A, WJ/B
	12351-Z0D-T00	.....	1		-----	BE14, BE14/A, QBE, QE14, QE14/A, SE14, SE14/A, SE3, SE3/A, VEA, VEG, VE3, VE3/A
3	15600-ZM7-003	CAP ASSY., OIL FILLER .....	1		-----	KR, KR/A, KR/B, KRAM, KRAM/A, KRA2, KRA2/A, KRA2/B, KRB, KRB/A, KRB/B, KRBD, KRBD/A, KRBM, KRB1, KRB1/A, KRB4, KRB4/A, KRB4/B, KRE, KRE/A, KRE/B, KRE4, KRE4/A, KRE4/B, KRF2, KRG, KRG/A, KRG/B, KRMB, KRMB, KRMB, KRMB, KRS, KRS/A, KRS2, KRW, KRW2, KRW2/A, KR4, KR4/A, KR4/B, VSW, VSW/A, VSW4
			2		-----	BE14, BE14/A, QAD, QAD/A, QA2, QA2/A, QA2/B, QA26, QA26/A, QA26/B, QBE, QD, QD/A, QD/B, QE, QE/A, QE/B, QE14, QE14/A, QXU2, SA2, SA2/A, SD, SD/A, SD/B, SE, SE/A, SE/B, SE14, SE14/A, SE3, SE3/A, SJ, SJ/A, SJ/B, SJH, SJH/A, SMG, SMG/A, VA2, VA2/A, VA2/B, VEA, VEG, VE3, VE3/A, VE4, VE4/A, VE4/B, WD, WD/A, WD/B, WJ, WJ/A, WJ/B





Ref. No.	Part No.	Description	Reqd. QTY		Serial No.	Parts catalogue code
			GX	100		
4	15625-ZE1-003	PACKING, OIL FILLER CAP	1		-----	KR, KR/A, KR/B, KRAM, KRAM/A, KRA2, KRA2/A, KRA2/B, KR/B, KR/B/A, KR/B/B, KRBD, KRBD/A, KRBM, KRB1, KRB1/A, KRB4, KRB4/A, KRB4/B, KRE, KRE/A, KRE/B, KRE4, KRE4/A, KRE4/B, KRF2, KRG, KRG/A, KRG/B, KRM, KRMB, KRMG, KRS, KRS/A, KRS2, KRW, KRW2, KRW2/A, KR4, KR4/A, KR4/B, VSW, VSW/A, VSW4
			2		-----	BE14, BE14/A, QAD, QAD/A, QA2, QA2/A, QA2/B, QA26, QA26/A, QA26/B, QBE, QD, QD/A, QD/B, QE, QE/A, QE/B, QE14, QE14/A, QXU2, SA2, SA2/A, SD, SD/A, SD/B, SE, SE/A, SE/B, SE14, SE14/A, SE3, SE3/A, SJ, SJ/A, SJ/B, SJH, SJH/A, SMG, SMG/A, VA2, VA2/A, VA2/B, VEA, VEG, VE3, VE3/A, VE4, VE4/A, VE4/B, WD, WD/A, WD/B, WJ, WJ/A, WJ/B
5	16510-ZL8-000	GOVERNOR ASSY.	1		-----	BE14, BE14/A, KR, KR/A, KR/B, KRAM, KRAM/A, KRA2, KRA2/A, KRA2/B, KR/B, KR/B/A, KR/B/B, KRBD, KRBD/A, KRBM, KRB1, KRB1/A, KRB4, KRB4/A, KRB4/B, KRE, KRE/A, KRE/B, KRE4, KRE4/A, KRE4/B, KRF2, KRG, KRG/A, KRG/B, KRM, KRMB, KRMG, KRS, KRS/A, KRS2, KRW, KRW2, KRW2/A, KR4, KR4/A, KR4/B, QAD, QAD/A, QA2, QA2/A, QA2/B, QA26, QA26/A, QA26/B, QBE, QD, QD/A, QD/B, QE, QE/A, QE/B, QE14, QE14/A, QXU2, SA2, SA2/A, SD, SD/A, SD/B, SE, SE/A, SE/B, SE14, SE14/A, SE3, SE3/A, SJ, SJ/A, SJ/B, SJH, SJH/A, SMG, SMG/A, VA2, VA2/A, VA2/B, VEA, VEG, VE3, VE3/A, VE4, VE4/A, VE4/B, WD, WD/A, WD/B, WJ, WJ/A, WJ/B
	16510-Z0D-U00	.....	1		-----	VSW, VSW/A, VSW4
9	16531-ZE1-000	SLIDER, GOVERNOR	1		-----	
10	16541-Z0D-000	SHAFT, GOVERNOR ARM	1		-----	
11	90121-952-000	BOLT, FLANGE, 6X25(CT200)	8		-----	
12	90131-ZE1-000	BOLT, DRAIN PLUG	1		-----	KR, KR/A, KR/B, KRAM, KRAM/A, KRA2, KRA2/A, KRA2/B, KR/B, KR/B/A, KR/B/B, KRBD, KRBD/A, KRBM, KRB1, KRB1/A, KRB4, KRB4/A, KRB4/B, KRE, KRE/A, KRE/B, KRE4, KRE4/A, KRE4/B, KRF2, KRG, KRG/A, KRG/B, KRM, KRMB, KRMG, KRS, KRS/A, KRS2, KRW, KRW2, KRW2/A, KR4, KR4/A, KR4/B
			2		-----	BE14, BE14/A, QAD, QAD/A, QA2, QA2/A, QA2/B, QA26, QA26/A, QA26/B, QBE, QD, QD/A, QD/B, QE, QE/A, QE/B, QE14, QE14/A, QXU2, SA2, SA2/A, SD, SD/A, SD/B, SE, SE/A, SE/B, SE14, SE14/A, SE3, SE3/A, SJ, SJ/A, SJ/B, SJH, SJH/A, SMG, SMG/A, VA2, VA2/A, VA2/B, VEA, VEG, VE3, VE3/A, VE4, VE4/A, VE4/B, VSW, VSW/A, VSW4, WD, WD/A, WD/B, WJ, WJ/A, WJ/B

2

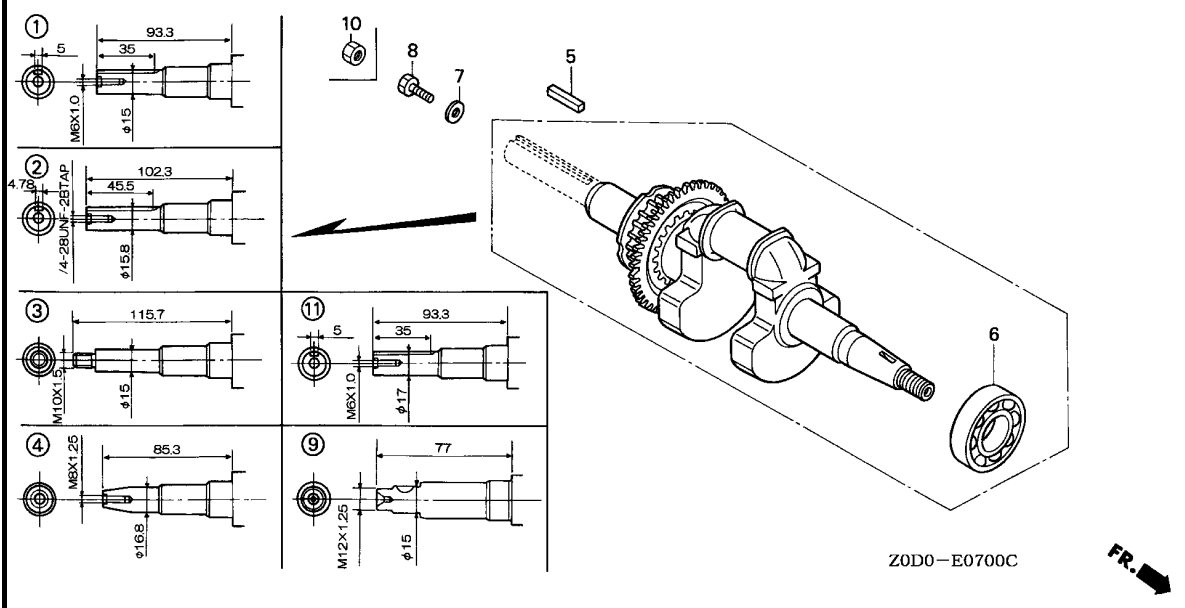
Ref. No.	Part No.	Description	Reqd. QTY		Serial No.	Parts catalogue code
			GX	100		
13	90451-ZE1-000	WASHER, THRUST, 6MM .....	1			
14	90601-ZE1-000	WASHER, DRAIN PLUG, 10.2MM ..	1	-----	-----	KR, KR/A, KR/B, KRAM, KRAM/A, KRA2, KRA2/A, KRA2/B, KRB, KRB/A, KRB/B, KRBD, KRBD/A, KRBM, KRB1, KRB1/A, KRB4, KRB4/A, KRB4/B, KRE, KRE/A, KRE/B, KRE4, KRE4/A, KRE4/B, KRF2, KRG, KRG/A, KRG/B, KRM, KRMB, KRMB, KRMB, KRS, KRS/A, KRS2, KRW, KRW2, KRW2/A, KR4, KR4/A, KR4/B
			2	-----	-----	BE14, BE14/A, QAD, QAD/A, QA2, QA2/A, QA2/B, QA26, QA26/A, QA26/B, QBE, QD, QD/A, QD/B, QE, QE/A, QE/B, QE14, QE14/A, QXU2, SA2, SA2/A, SD, SD/A, SD/B, SE, SE/A, SE/B, SE14, SE14/A, SE3, SE3/A, SJ, SJ/A, SJ/B, SJH, SJH/A, SMG, SMG/A, VA2, VA2/A, VA2/B, VEA, VEG, VE3, VE3/A, VE4, VE4/A, VE4/B, VSW, VSW/A, VSW4, WD, WD/A, WD/B, WJ, WJ/A, WJ/B
15	90602-ZE1-000	CLIP, GOVERNOR HOLDER .....	1			
16	91202-KJ9-003	OIL SEAL, 20X32X6 .....	1			
17	94101-06800	WASHER, PLAIN, 6MM .....	2			
18	94251-08000	PIN, LOCK, 8MM .....	1			
19	94301-08200	DOWEL PIN, 8X20 .....	2			
20	95701-08018-00	BOLT, FLANGE, 8X18 .....	4	-----	-----	BE14, BE14/A, SA2, SA2/A, SD, SD/A, SD/B, SE, SE/A, SE/B, SE14, SE14/A, SE3, SE3/A, SJ, SJ/A, SJ/B, SJH, SJH/A, SMG, SMG/A, VEA, VEG, VE3, VE3/A, WD, WD/A, WD/B, WJ, WJ/A, WJ/B
	95701-08025-00	BOLT, FLANGE, 8X25 .....	4	-----	-----	QAD, QAD/A, QA2, QA2/A, QA2/B, QA26, QA26/A, QA26/B, QBE, QD, QD/A, QD/B, QE, QE/A, QE/B, QE14, QE14/A, QXU2, VA2, VA2/A, VA2/B, VE4, VE4/A, VE4/B
21	96100-62040-00	BEARING, RADIAL BALL, 6204 ..	1			
22	11511-Z0D-V00	FLANGE, P.T.O. ....	1	-----	-----	KR, KR/A, KR/B, KRA2, KRA2/A, KRA2/B, KRF2, KRMB, KRS2, KRW2, KRW2/A, KR4, KR4/A, KR4/B
23	11511-Z0D-V10	FLANGE, P.T.O. ....	1	-----	-----	KRB, KRB/A, KRB/B, KRBD, KRBD/A, KRBM, KRB1, KRB1/A, KRB4, KRB4/A, KRB4/B, KRE, KRE/A, KRE/B, KRE4, KRE4/A, KRE4/B, KRM, KRS, KRS/A, KRW
24	91231-891-003	OIL SEAL, 6X11X4 .....	1	-----	-----	KR, KR/A, KR/B, KRAM, KRAM/A, KRA2, KRA2/A, KRA2/B, KRB, KRB/A, KRB/B, KRBD, KRBD/A, KRBM, KRB1, KRB1/A, KRB4, KRB4/A, KRB4/B, KRE, KRE/A, KRE/B, KRE4, KRE4/A, KRE4/B, KRF2, KRG, KRG/A, KRG/B, KRM, KRMB, KRMB, KRMB, KRS, KRS/A, KRS2, KRW, KRW2, KRW2/A, KR4, KR4/A, KR4/B
25	92900-08025-0E	BOLT, STUD, 8X25 .....	4	-----	-----	KR, KR/A, KR/B, KRAM, KRAM/A, KRA2, KRA2/A, KRA2/B, KRF2, KRS2, KRW2, KRW2/A
26	94303-06100	DOWEL PIN, 6X10 .....	2	-----	-----	KR, KR/A, KR/B, KRA2, KRA2/A, KRA2/B, KRB, KRB/A, KRB/B, KRBD, KRBD/A, KRBM, KRB1, KRB1/A, KRB4, KRB4/A, KRB4/B, KRE, KRE/A, KRE/B, KRE4, KRE4/A, KRE4/B, KRF2, KRM, KRMB, KRS, KRS/A, KRS2, KRW, KRW2, KRW2/A, KR4, KR4/A, KR4/B
27	95701-08040-00	BOLT, FLANGE, 8X40 .....	4	-----	-----	KR, KR/A, KR/B, KRA2, KRA2/A, KRA2/B, KRF2, KRMB, KRS2, KRW2, KRW2/A, KR4, KR4/A, KR4/B
	95701-08045-00	BOLT, FLANGE, 8X45 .....	4	-----	-----	KRB, KRB/A, KRB/B, KRBD, KRBD/A, KRBM, KRB1, KRB1/A, KRB4, KRB4/A, KRB4/B, KRE, KRE/A, KRE/B, KRE4, KRE4/A, KRE4/B, KRM, KRS, KRS/A, KRW
28	93402-10040-00	BOLT-WASHER, 10X40 .....	2	-----	-----	KRB, KRB/A, KRB/B, KRBD, KRBD/A, KRBM, KRB1, KRB1/A, KRB4, KRB4/A, KRB4/B



E-7

CRANKSHAFT

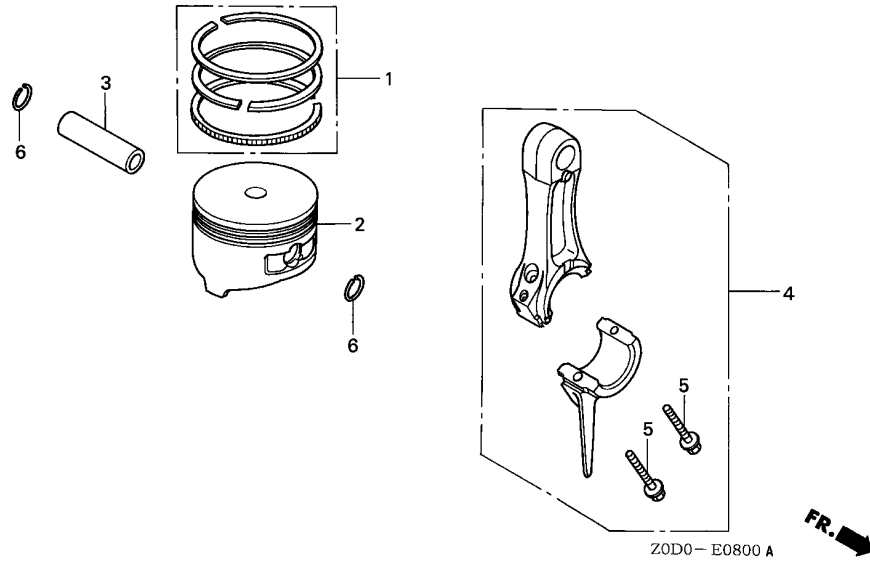
D 6



Ref. No.	L.O.N.	(Relative ref. Number) Description	F.R.T.
1		(2,3,4,9,11)	
1101F0		CRANKSHAFT .....	1.3
6	1101A4	BEARING, CRANKSHAFT :FRONT ...	1.4

Ref. No.	Part No.	Description	Reqd. QTY		Serial No.	Parts catalogue code
			GX	100		
1	13310-Z0D-000	CRANKSHAFT COMP. ....	1	-----	-----	SA2,SA2/A,SD,SD/A,SD/B,SE,SE/A,SE/B,SE14,SE14/A,SE3,SE3/A,SJ,SJ/A,SJ/B,SJH,SJH/A,SMG,SMG/A
2	13310-Z0D-600	CRANKSHAFT COMP. ....	1	-----	-----	QAD,QAD/A,QA2,QA2/A,QA2/B,QA26,QA26/A,QA26/B,QBE,QD,QD/A,QD/B,QE,QE/A,QE/B,QE14,QE14/A,QXU2
3	13310-Z0D-630	CRANKSHAFT COMP. ....	1	-----	-----	WD,WD/A,WD/B,WJ,WJ/A,WJ/B
4	13310-Z0D-910	CRANKSHAFT COMP. ....	1	-----	-----	VA2,VA2/A,VA2/B,VEA,VE3,VE3/A,VE4,VE4/A,VE4/B,VSW,VSW/A,VSW4
	13310-Z0D-V70	.....	1	-----	-----	KRAM,KRAM/A,KRG,KRG/A,KRG/B,KRMG,KRW,VEG
	90741-Z0D-V50	KEY, WOODRUFF, 13X12 .....	1	-----	-----	KRB,KRB/A,KRB/B,KRBD,KRBD/A,KRB1,KRB1/A,KRB4,KRB4/A,KRB4/B
	90741-883-810	KEY, 5X5X33 (YELLOW) .....	1	-----	-----	BE14,BE14/A,SA2,SA2/A,SE,SE/A,SE/B,SE14,SE14/A,SE3,SE3/A,SJ,SJ/A,SJ/B,SJH,SJH/A,SMG,SMG/A
	90745-ZE1-600	KEY, 4.78X4.78X38 .....	1	-----	-----	QAD,QAD/A,QA2,QA2/A,QA2/B,QA26,QA26/A,QA26/B,QBE,QE,QE/A,QE/B,QE14,QE14/A
6	96100-62040-00	BEARING, RADIAL BALL, 6204 ..	1	-----	-----	BE14,BE14/A,QAD,QAD/A,QA2,QA2/A,QA2/B,QA26,QA26/A,QA26/B,QBE,QD,QD/A,QD/B,QE,QE/A,QE/B,QE14,QE14/A,QXU2,SA2,SA2/A,SD,SD/A,SD/B,SE,SE/A,SE/B,SE14,SE14/A,SE3,SE3/A,SJ,SJ/A,SJ/B,SJH,SJH/A,SMG,SMG/A,VA2,VA2/A,VA2/B,VEA,VE3,VE3/A,VE4,VE4/A,VE4/B,VSW,VSW/A,VSW4,WD,WD/A,WD/B,WJ,WJ/A,WJ/B
	91001-Z0D-V01	BEARING, RADIAL BALL, 6204C ..	1	-----	-----	KR,KR/A,KR/B,KRA2,KRA2/A,KRA2/B,KRB,KRB/A,KRB/B,KRBD,KRBD/A,KRBM,KRB1,KRB1/A,KRB4,KRB4/A,KRB4/B,KRE,KRE/A,KRE/B,KRE4,KRE4/A,KRE4/B,KRF2,KRG,KRG/A,KRG/B,KRM,KRMB,KRMG,KRS,KRS/A,KRS2,KRW,KRW2,KRW2/A,KR4,KR4/A,KR4/B,VEG
7	90473-896-000	WASHER, 6MM .....	1	-----	-----	SJ,SJ/A,SJ/B,SJH,SJH/A,SMG,SMG/A
8	92101-06018-0A	BOLT, HEX., 6X18 .....	1	-----	-----	SJ,SJ/A,SJ/B,SJH,SJH/A,SMG,SMG/A
9	13310-Z0D-V00	CRANKSHAFT COMP. ....	1	-----	-----	KR,KR/A,KR/B,KRA2,KRA2/A,KRA2/B,KRB,KRB/A,KRB/B,KRBD,KRBD/A,KRBM,KRB1,KRB1/A,KRB4,KRB4/A,KRB4/B,KRE,KRE/A,KRE/B,KRE4,KRE4/A,KRE4/B,KRF2,KRM,KRMB,KRS,KRS/A,KRS2,KRW2,KRW2/A,KR4,KR4/A,KR4/B
10	94002-12000-0S	NUT, HEX., 12MM .....	1	-----	-----	KRB,KRB/A,KRB/B,KRBD,KRBD/A,KRBM,KRB1,KRB1/A,KRB4,KRB4/A,KRB4/B
11	13310-Z0D-T10	CRANKSHAFT COMP. ....	1	-----	-----	BE14,BE14/A

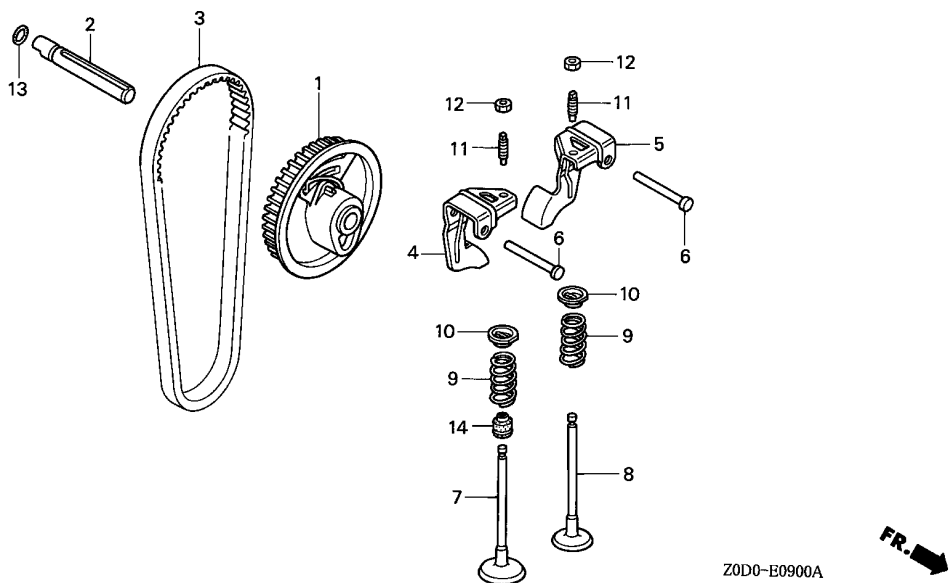
2



Ref. No.	L.O.N.	(Relative ref. Number) Description	F.R.T.
2		(1,3,4)	
1111R1		PISTON AND/OR RING SET AND/OR BEARING AND/OR ROD ..... .INCLUDES: Inspection/ Measurement/Cleaning	1.5

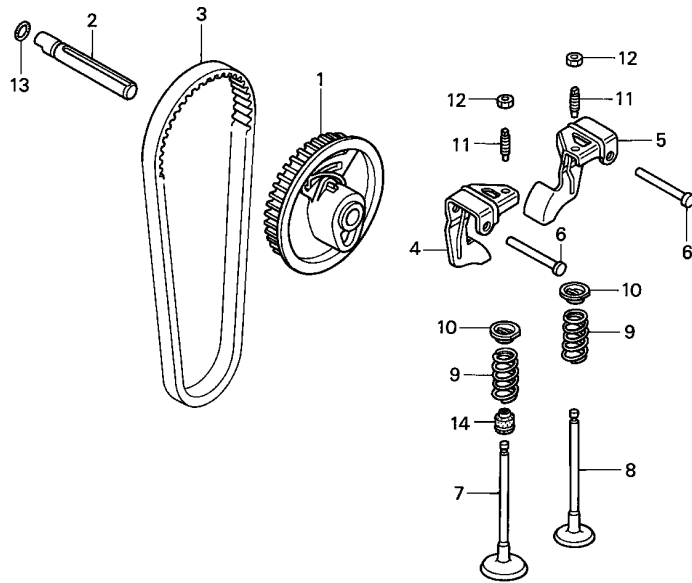
Ref. No.	Part No.	Description	Reqd. QTY		Serial No.	Parts catalogue code
			GX	100		
1	13010-Z0D-003	RING SET, PISTON .....	1			
2	13101-Z0D-000	PISTON .....	1			
3	13111-ZE0-000	PIN, PISTON .....	1			
4	13200-Z0D-000	ROD ASSY., CONNECTING .....	1			
	13200-Z0D-305	ROD ASSY., CONNECTING (UNDER SIZE) (1)		(1)		
5	90001-ZM7-000	BOLT, CONNECTING ROD .....	2			
6	90551-ZE0-000	CLIP, PISTON PIN, 13MM .....	2			





Ref. No.	L.O.N.	(Relative ref. Number) Description	F.R.T.
1	1111N5	PULLEY, CAMSHAFT .....	0.4
2	1111R8	SHAFT, CAM PULLEY .....	0.3
3	1111N6	BELT, TIMING .....	0.9
4	1111A2	ARM, ROCKER :INTAKE .....	0.4
		.INCLUDES: Valve clearance adjustment	
	1111A2A	.Replace exhaust rocker arm add .....	0.1
5	1111A1	ARM, ROCKER :EXHAUST .....	0.4
		.INCLUDES: Valve clearance adjustment	
	1111A1A	.Replace intake rocker arm add .....	0.1
7	1111L1	VALVE, INTAKE .....	1.6
		.INCLUDES: Valve clearance adjustment and reface	
	1111L1E	.Replace intake and exhaust all add .....	0.1
8	1111L0	VALVE, EXHAUST .....	1.6
		.INCLUDES: Valve clearance adjustment and reface	
	1111L0E	.Replace intake and exhaust all add .....	0.1
+ 9	1111P3	SPRING, VALVE :INTAKE .....	1.5

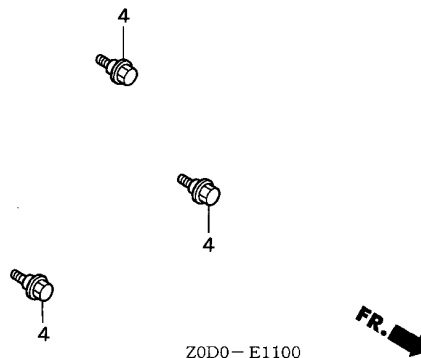
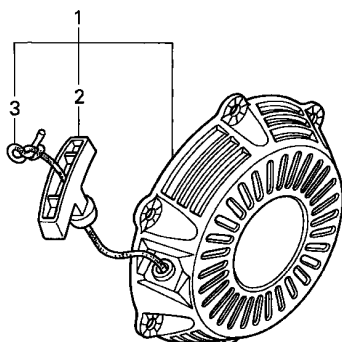
Ref. No.	Part No.	Description	Reqd. QTY	Serial No.	Parts catalogue code
			GX 100		
1	14320-Z0D-000 14320-Z0D-010	PULLEY COMP., CAMSHAFT .....	1	-----	KR, KRA2, KRB, KRB4, KRE, KRE4, KRG, KR4, QA2, QA26, QD, QE, SD, SE, SJ, VA2, VE4, WD, WJ BE14, BE14/A, KR/A, KR/B, KRAM, KRAM/A, KRA2/A, KRA2/B, KRB/A, KRB/B, KRBD, KRBD/A KRBM, KRB1, KRB1/A, KRB4/A, KRB4/B, KRE/A, KRE/B, KRE4/A, KRE4/B, KRF2, KRG/A, KRG/B KRM, KRMB, KRMG, KRS, KRS/A, KRS2, KRW, KRW2, KRW2/A, KR4/A, KR4/B, QAD, QAD/A, QA2/A QA2/B, QA26/A, QA26/B, QBE, QD/A, QD/B, QE/A, QE/B, QE14, QE14/A, QXU2, SA2, SA2/A SD/A, SD/B, SE/A, SE/B, SE14, SE14/A, SE3, SE3/A, SJ/A, SJ/B, SJH, SJH/A, SMG, SMG/A VA2/A, VA2/B, VEA, VEG, VE3, VE3/A, VE4/A, VE4/B, VSW, VSW/A, VSW4, WD/A, WD/B, WJ/A WJ/B
2	14324-Z0D-000	SHAFT, CAM PULLEY .....	1		
3	14400-Z0D-003	BELT, TIMING (61YU7 G-200) ..	1		
4	14431-Z0D-000	ARM, IN. VALVE ROCKER .....	1		
5	14441-Z0D-000	ARM, EX. VALVE ROCKER .....	1		
6	14461-ZL8-000	SHAFT, ROCKER ARM .....	2		
7	14711-Z0D-000	VALVE, IN. ....	1		
8	14721-Z0D-000	VALVE, EX. ....	1		
9	14751-Z0D-000	SPRING, VALVE .....	2		
10	14771-ZM3-010	RETAINER, VALVE SPRING .....	2		
11	90012-333-000	SCREW, TAPPET ADJUSTING .....	2		
12	90206-001-000	NUT, TAPPET ADJUSTING .....	2		
13	91301-ZM0-V31	O-RING, 6.8X1.9(ARAI) .....	1		
14	12209-KT7-013	SEAL, VALVE STEM .....	1		



Z0D0-E0900A

Ref. No.	L.O.N.	(Relative ref. Number) Description	F.R.T.
+ 9		.INCLUDES: Valve clearance adjustment	
1111P3A		.Replace intake and exhaust all add .....	0.1
1111P4		SPRING, VALVE :EXHAUST .....	1.5
		.INCLUDES: Valve clearance adjustment	
1111P4A		.Replace intake and exhaust all add .....	0.1
14 1111K2		SEAL, INTAKE VALVE STEM .....	1.5
		.INCLUDES: Valve clearance adjustment	



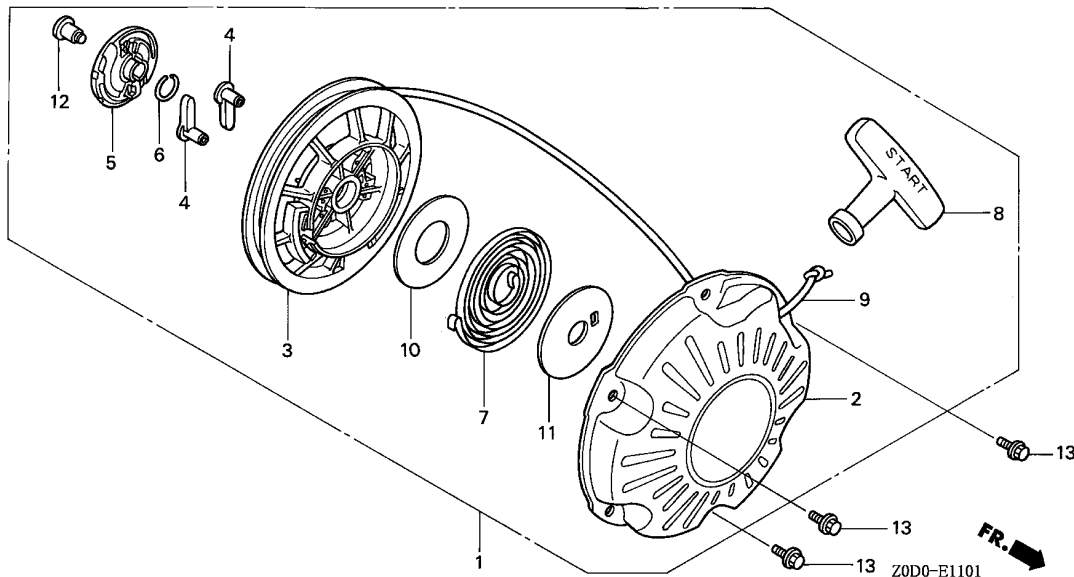


Ref. No.	L.O.N.	(Relative ref. Number) Description	F.R.T.
1	1121B9	STARTER, RECOIL .....	0.1
2	1121A3	GRIP, RECOIL STARTER .....	0.1
3	1121B3	ROPE, RECOIL STARTER .....	0.3

Ref. No.	Part No.	Description	Reqd. QTY	Serial No.	Parts catalogue code
			GX 100		
1	28400-Z0D-003ZA	STARTER ASSY., RECOIL	1	-----	QA2,QA26,QD,QE,SD,SE,SJ,VA2,VE4,WD,WJ
		*R8*.....BRIGHT RED	1	-----	1149133 QA2/A,QA26/A,QD/A,QE/A,SA2,SD/A,SE/A,SJ/A,VA2/A,VE4/A,VSW,WD/A,WJ/A
	28400-Z0D-003ZB	*NH1*.....BLACK	1	-----	QAD,QAD/A,QA2,QA2/A,QA2/B,QA26,QA26/A,QA26/B,QD,QD/A,QD/B,QE,QE/A,QE/B
			1	-----	1185929 QE14,QE14/A,SD,SD/A,SD/B,SE,SE/A,SE/B,SE14,SE14/A,SJ,SJ/A,SJ/B,VA2,VA2/A,VA2/B,VE4,VE4/A,VE4/B,WD,WD/A,WD/B,WJ,WJ/A,WJ/B
	28400-Z0D-U01ZA	*NH1*.....BLACK	1	-----	VSW
			1	-----	VSW/A,VSW4
	28400-Z0D-003ZC	*R280*.....POWER RED	1	1185930	VSW
			1	-----	QAD,QAD/A,QA2/B,QA26/B,QBE,QD/B,QE/B,QE14,QE14/A,QXU2,SA2/A,SD/B,SE/B
			1	-----	1149134 SE14,SE14/A,SJ/B,SJH,SJH/A,SMG,SMG/A,VA2/B,VE4/B,WD/B,WJ/B
			1	1149134	QA2/A,QA26/A,QD/A,QE/A,SA2,SD/A,SE/A,SJ/A,VA2/A,VE4/A,WD/A,WJ/A
	28400-Z0D-U01ZB	*R280*.....POWER RED	1	1185929	VSW
			1	-----	VSW/A
			1	1185930	VSW
2	28461-Z0D-003	GRIP, STARTER .....	1	-----	QAD,QAD/A,QA2,QA2/A,QA2/B,QA26,QA26/A,QA26/B,QBE,QD,QD/A,QD/B,QE,QE/A
			1	-----	1185929 QE/B,QE14,QE14/A,QXU2,SA2,SA2/A,SD,SD/A,SD/B,SE,SE/A,SE/B,SE14,SE14/A,SJ
			1	-----	1185930 SJ/A,SJ/B,SJH,SJH/A,SMG,SMG/A,VA2,VA2/A,VA2/B,VE4,VE4/A,VE4/B,WD,WD/A,WD/B,WJ,WJ/A,WJ/B
			1	-----	VSW
3	28462-Z0D-003	ROPE, STARTER .....	1	-----	QAD,QAD/A,QA2,QA2/A,QA2/B,QA26,QA26/A,QA26/B,QBE,QD,QD/A,QD/B,QE,QE/A
			1	-----	1185929 QE/B,QE14,QE14/A,QXU2,SA2,SA2/A,SD,SD/A,SD/B,SE,SE/A,SE/B,SE14,SE14/A,SJ
			1	-----	1185930 SJ/A,SJ/B,SJH,SJH/A,SMG,SMG/A,VA2,VA2/A,VA2/B,VE4,VE4/A,VE4/B,VSW,VSW/A
			1	-----	VSW4,WD,WD/A,WD/B,WJ,WJ/A,WJ/B
4	90002-Z0D-000	BOLT, FLANGE, 6MM .....	3	-----	QAD,QAD/A,QA2,QA2/A,QA2/B,QA26,QA26/A,QA26/B,QBE,QD,QD/A,QD/B,QE,QE/A
			3	-----	1185929 QE/B,QE14,QE14/A,QXU2,SA2,SA2/A,SD,SD/A,SD/B,SE,SE/A,SE/B,SE14,SE14/A,SJ
			3	-----	1185930 SJ/A,SJ/B,SJH,SJH/A,SMG,SMG/A,VA2,VA2/A,VA2/B,VE4,VE4/A,VE4/B,VSW,VSW/A
			3	-----	VSW4,WD,WD/A,WD/B,WJ,WJ/A,WJ/B

E-11-1

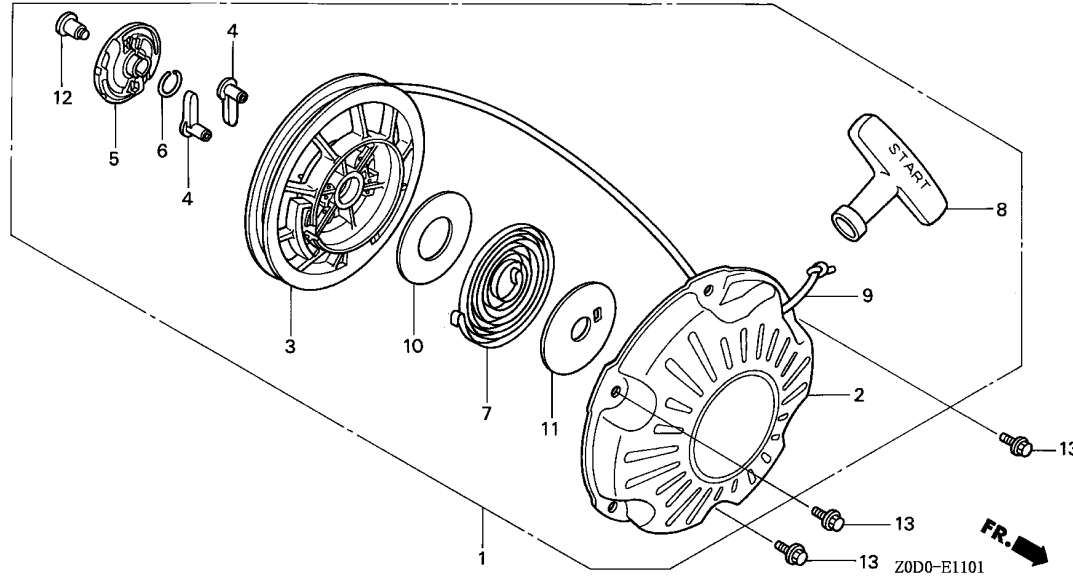
RECOIL STARTER(RAMMER)



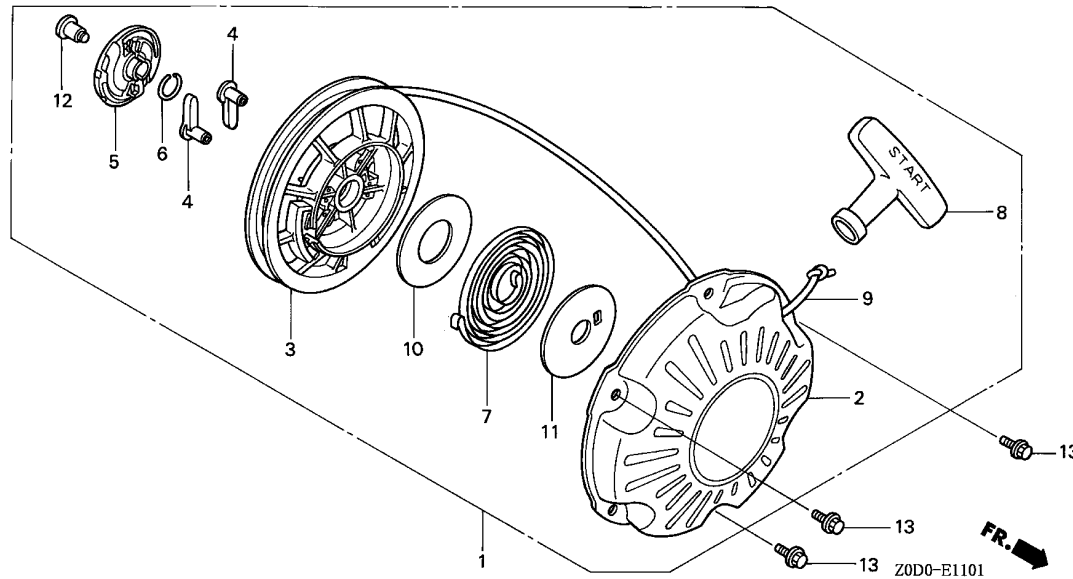
Ref. No.	L.O.N.	(Relative ref. Number) Description	F.R.T.
1	1121B9	STARTER, RECOIL .....	0.1
3	1121B1	REEL, RECOIL STARTER .....	0.3
4	1121B0	RATCHET, STARTER AND/OR SPRING, RATCHET .....	0.2
5	1121A4	GUIDE, RATCHET .....	0.2
7	1121B7	SPRING, RECOIL STARTER RETURN .....	0.3
9	1121D0	ROPE, RECOIL STARTER(A) .....	0.4

Ref. No.	Part No.	Description	Reqd. QTY	Serial No.	Parts catalogue code
			GX 100		
1	28400-Z0D-V02ZA	STARTER ASSY., RECOIL *NH1*.....BLACK	1	-----	BE14, BE14/A, KR, KR/A, KR/B, KRAM, KRAM/A, KRA2, KRA2/A, KRA2/B, KRB, KRB/A, KRB/B, KRBD, KRBD/A, KRBM, KRB1, KRB1/A, KRB4, KRB4/A, KRB4/B, KRE, KRE/A, KRE/B, KRE4, KRE4/A, KRE4/B, KRF2, KR4, KR4/A, KR4/B, KR4/B, SE3, SE3/A, VEA, VEG, VE3, VE3/A
	28400-Z0D-V02ZB	*R8*.....BRIGHT RED	1	-----	KR, KRA2, KRE, KRE4, KR4
	28400-Z0D-V02ZC	*R280*.....POWER RED	1	1149107	KR/A, KRA2/A, KRE/A, KRE4/A, KRS, KR4/A
	28400-Z0D-V02ZD	*NH105*...MAT BLACK (#15-#20)	1	1149108	BE14, BE14/A, KR/B, KRAM, KRAM/A, KRA2/B, KRE/B, KRE4/B, KRM, KRMB, KRS/A, KRS2, KR4/B, SE3, SE3/A, VE3, VE3/A
2	28410-Z0D-V02ZA	CASE COMP., RECOIL STARTER *NH1*.....BLACK	1	-----	KR/A, KRA2/A, KRE/A, KRE4/A, KRS, KR4/A
	28410-Z0D-V02ZB	*R8*.....BRIGHT RED	1	-----	KR, KRA2, KRE, KRE4, KR4
	28410-Z0D-V02ZC	*R280*.....POWER RED	1	1149107	KR/A, KRA2/A, KRE/A, KRE4/A, KRS, KR4/A
	28410-Z0D-V02ZD	*NH105*...MAT BLACK (#15-#20)	1	1149108	BE14, BE14/A, KR/B, KRAM, KRAM/A, KRA2/B, KRE/B, KRE4/B, KRM, KRMB, KRS/A, KRS2, KR4/B, SE3, SE3/A, VE3, VE3/A
3	28421-Z0D-V02	REEL, RECOIL STARTER .....	1	-----	BE14, BE14/A, KR, KR/A, KR/B, KRAM, KRAM/A, KRA2, KRA2/A, KRA2/B, KRB, KRB/A, KRB/B, KRBD, KRBD/A, KRBM, KRB1, KRB1/A, KRB4, KRB4/A, KRB4/B, KRE, KRE/A, KRE/B, KRE4, KRE4/A, KRE4/B, KRF2, KR4, KR4/A, KR4/B, KR4/B, SE3, SE3/A, VEA, VEG, VE3, VE3/A



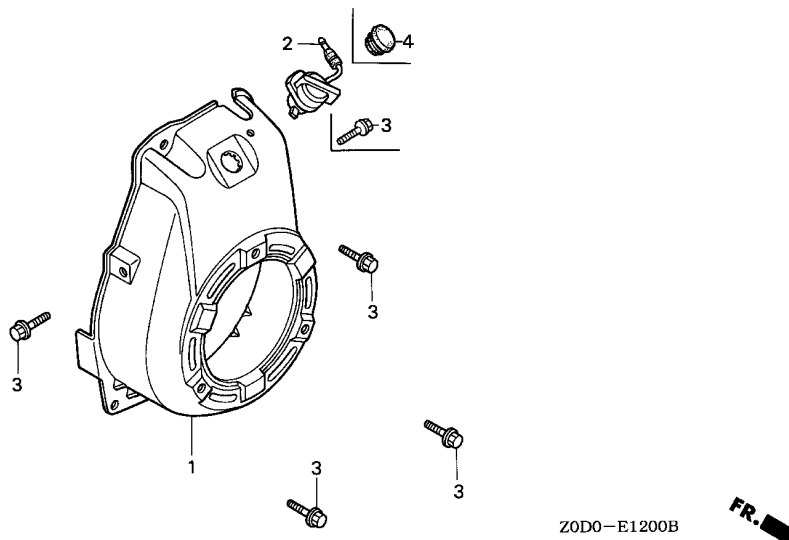


Ref. No.	Part No.	Description	Reqd. QTY		Serial No.	Parts catalogue code
			GX	100		
4	28422-ZG0-W02	RATCHET, STARTER .....	2	-----	-----	BE14, BE14/A, KR, KR/A, KR/B, KRAM, KRAM/A, KRA2, KRA2/A, KRA2/B, KRB, KRB/A, KRB/B, KRBD, KRBD/A, KRBM, KRB1, KRB1/A, KRB4, KRB4/A, KRB4/B, KRE, KRE/A, KRE/B, KRE4, KRE4/A, KRE4/B, KRF2, KRG, KRG/A, KRG/B, KRM, KRMB, KRMG, KRS, KRS/A, KRS2, KRW, KRW2, KRW2/A, KR4, KR4/A, KR4/B, SE3, SE3/A, VEA, VEG, VE3, VE3/A
5	28433-ZG0-W02	GUIDE, RATCHET .....	1	-----	-----	BE14, BE14/A, KR, KR/A, KR/B, KRAM, KRAM/A, KRA2, KRA2/A, KRA2/B, KRB, KRB/A, KRB/B, KRBD, KRBD/A, KRBM, KRB1, KRB1/A, KRB4, KRB4/A, KRB4/B, KRE, KRE/A, KRE/B, KRE4, KRE4/A, KRE4/B, KRF2, KRG, KRG/A, KRG/B, KRM, KRMB, KRMG, KRS, KRS/A, KRS2, KRW, KRW2, KRW2/A, KR4, KR4/A, KR4/B, SE3, SE3/A, VEA, VEG, VE3, VE3/A
6	28441-ZW6-003	SPRING, FRICTION .....	1	-----	-----	BE14, BE14/A, KR, KR/A, KR/B, KRAM, KRAM/A, KRA2, KRA2/A, KRA2/B, KRB, KRB/A, KRB/B, KRBD, KRBD/A, KRBM, KRB1, KRB1/A, KRB4, KRB4/A, KRB4/B, KRE, KRE/A, KRE/B, KRE4, KRE4/A, KRE4/B, KRF2, KRG, KRG/A, KRG/B, KRM, KRMB, KRMG, KRS, KRS/A, KRS2, KRW, KRW2, KRW2/A, KR4, KR4/A, KR4/B, SE3, SE3/A, VEA, VEG, VE3, VE3/A
7	28442-ZH8-003	SPRING, RECOIL STARTER .....	1	-----	-----	BE14, BE14/A, KR, KR/A, KR/B, KRAM, KRAM/A, KRA2, KRA2/A, KRA2/B, KRB, KRB/A, KRB/B, KRBD, KRBD/A, KRBM, KRB1, KRB1/A, KRB4, KRB4/A, KRB4/B, KRE, KRE/A, KRE/B, KRE4, KRE4/A, KRE4/B, KRF2, KRG, KRG/A, KRG/B, KRM, KRMB, KRMG, KRS, KRS/A, KRS2, KRW, KRW2, KRW2/A, KR4, KR4/A, KR4/B, SE3, SE3/A, VEA, VEG, VE3, VE3/A
8	28461-ZH8-003	GRIP, STARTER .....	1	-----	-----	BE14, BE14/A, KR, KR/A, KR/B, KRAM, KRAM/A, KRA2, KRA2/A, KRA2/B, KRB, KRB/A, KRB/B, KRBD, KRBD/A, KRBM, KRB1, KRB1/A, KRB4, KRB4/A, KRB4/B, KRE, KRE/A, KRE/B, KRE4, KRE4/A, KRE4/B, KRF2, KRG, KRG/A, KRG/B, KRM, KRMB, KRMG, KRS, KRS/A, KRS2, KRW, KRW2, KRW2/A, KR4, KR4/A, KR4/B, SE3, SE3/A, VEA, VEG, VE3, VE3/A
9	28462-Z0D-V02	ROPE, RECOIL STARTER .....	1	-----	-----	BE14, BE14/A, KR, KR/A, KR/B, KRAM, KRAM/A, KRA2, KRA2/A, KRA2/B, KRB, KRB/A, KRB/B, KRBD, KRBD/A, KRBM, KRB1, KRB1/A, KRB4, KRB4/A, KRB4/B, KRE, KRE/A, KRE/B, KRE4, KRE4/A, KRE4/B, KRF2, KRG, KRG/A, KRG/B, KRM, KRMB, KRMG, KRS, KRS/A, KRS2, KRW, KRW2, KRW2/A, KR4, KR4/A, KR4/B, SE3, SE3/A, VEA, VEG, VE3, VE3/A
10	28467-Z0D-V02	PLATE, SIDE .....	1	-----	-----	BE14, BE14/A, KR, KR/A, KR/B, KRAM, KRAM/A, KRA2, KRA2/A, KRA2/B, KRB, KRB/A, KRB/B, KRBD, KRBD/A, KRBM, KRB1, KRB1/A, KRB4, KRB4/A, KRB4/B, KRE, KRE/A, KRE/B, KRE4, KRE4/A, KRE4/B, KRF2, KRG, KRG/A, KRG/B, KRM, KRMB, KRMG, KRS, KRS/A, KRS2, KRW, KRW2, KRW2/A, KR4, KR4/A, KR4/B, SE3, SE3/A, VEA, VEG, VE3, VE3/A



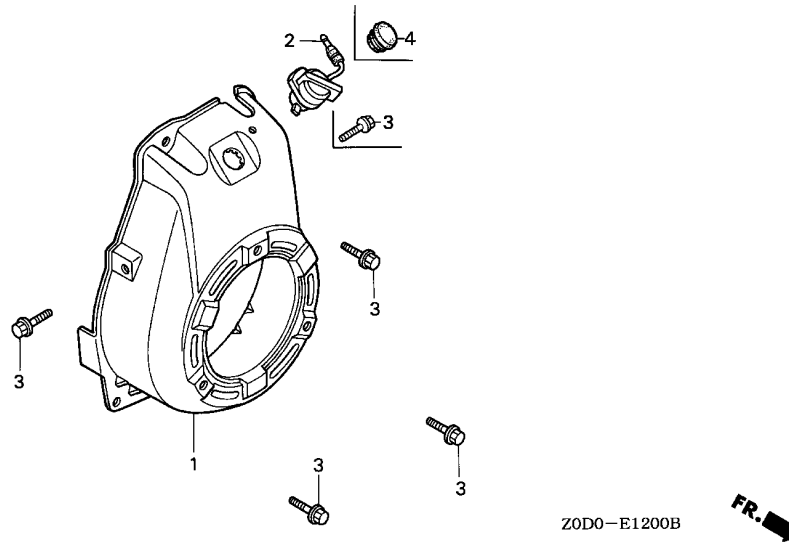
Ref. No.	Part No.	Description	Reqd. QTY		Serial No.	Parts catalogue code
			GX	100		
11	28468-Z0D-V02	PLATE, SLIDE .....	1	-----	-----	BE14, BE14/A, KR, KR/A, KR/B, KRAM, KRAM/A, KRA2, KRA2/A, KRA2/B, KRB, KRB/A, KRB/B, KRBD, KRBD/A, KRBM, KRB1, KRB1/A, KRB4, KRB4/A, KRB4/B, KRE, KRE/A, KRE/B, KRE4, KRE4/A, KRE4/B, KRF2, KRG, KRG/A, KRG/B, KRM, KRMB, KRMG, KRS, KRS/A, KRS2, KRW, KRW2, KRW2/A, KR4, KR4/A, KR4/B, SE3, SE3/A, VEA, VEG, VE3, VE3/A
12	90003-ZH8-003	SCREW, SETTING .....	1	-----	-----	BE14, BE14/A, KR, KR/A, KR/B, KRAM, KRAM/A, KRA2, KRA2/A, KRA2/B, KRB, KRB/A, KRB/B, KRBD, KRBD/A, KRBM, KRB1, KRB1/A, KRB4, KRB4/A, KRB4/B, KRE, KRE/A, KRE/B, KRE4, KRE4/A, KRE4/B, KRF2, KRG, KRG/A, KRG/B, KRM, KRMB, KRMG, KRS, KRS/A, KRS2, KRW, KRW2, KRW2/A, KR4, KR4/A, KR4/B, SE3, SE3/A, VEA, VEG, VE3, VE3/A
13	95701-06008-00	BOLT, FLANGE, 6X8 .....	3	-----	-----	BE14, BE14/A, KR, KR/A, KR/B, KRAM, KRAM/A, KRA2, KRA2/A, KRA2/B, KRB, KRB/A, KRB/B, KRBD, KRBD/A, KRBM, KRB1, KRB1/A, KRB4, KRB4/A, KRB4/B, KRE, KRE/A, KRE/B, KRE4, KRE4/A, KRE4/B, KRF2, KRG, KRG/A, KRG/B, KRM, KRMB, KRMG, KRS, KRS/A, KRS2, KRW, KRW2, KRW2/A, KR4, KR4/A, KR4/B, SE3, SE3/A, VEA, VEG, VE3, VE3/A





Ref. No.	L.O.N.	(Relative ref. Number) Description	F.R.T.
1	1141G8	COVER, ENGINE COOLING FAN ....	0.2
2	6151D9	SWITCH, ENGINE STOP .....	0.2

Ref. No.	Part No.	Description	Reqd. QTY	Serial No.	Parts catalogue code
			GX 100		
1	19610-Z0D-000ZA	COVER COMP., FAN	1		
		*R8*.....BRIGHT RED	1	-----	QA2,QA26,QD,QE,SD,SE,SJ,WD,WJ
	19610-Z0D-000ZB	*NH1*.....BLACK	1	1149133	QA2/A,QA26/A,QD/A,QE/A,SA2,SD/A,SE/A,SJ/A,WD/A,WJ/A
			1	-----	QAD,QAD/A,QA2,QA2/A,QA2/B,QA26,QA26/A,QA26/B,QD,QD/A,QD/B,QE,QE/A,QE/B
			1	-----	QE14,QE14/A,SD,SD/A,SD/B,SE,SE/A,SE/B,SE14,SE14/A,SJ,SJ/A,SJ/B,WD,WD/A
	19610-Z0D-800ZA	*R8*.....BRIGHT RED	1	-----	VA2,VE4,VSW
			1	1149133	VA2/A,VE4/A
	19610-Z0D-800ZB	*NH1*.....BLACK	1	-----	VA2,VA2/A,VA2/B,VE4,VE4/A,VE4/B,VSW,VSW/A,VSW4
	19610-Z0D-V00ZA	*R8*.....BRIGHT RED	1	-----	KR,KRA2,KRE,KRE4,KR4
			1	1149107	KR/A,KRA2/A,KRE/A,KRE4/A,KRS,KR4/A
	19610-Z0D-V00ZB	*NH1*.....BLACK	1	-----	KR,KR/A,KR/B,KRAM,KRAM/A,KRA2,KRA2/A,KRA2/B,KRB,KRB/A,KRB/B,KRBD,KRBD/A
			1	-----	KRBM,KRB1,KRB1/A,KRB4,KRB4/A,KRB4/B,KRE,KRE/A,KRE/B,KRE4,KRE4/A,KRE4/B
			1	-----	KRF2,KRG,KRG/A,KRG/B,KRM,KRMG,KRW,KRW2,KRW2/A,KR4,KR4/A,KR4/B
	19610-Z0D-000ZC	*R280*.....POWER RED	1	-----	QAD,QAD/A,QA2/B,QA26/B,QBE,QD/B,QE/B,QE14,QE14/A,SA2/A,SD/B,SE/B,SE14
			1	1149134	SE14/A,SJ/B,SJH,SJH/A,SMG,SMG/A,WD/B,WJ/B
			1	-----	QA2/A,QA26/A,QD/A,QE/A,SA2,SD/A,SE/A,SJ/A,WD/A,WJ/A
	19610-Z0D-800ZC	*R280*.....POWER RED	1	-----	QXU2,VA2/B,VE4/B,VSW/A
			1	1149134	VA2/A,VE4/A
	19610-Z0D-V00ZC	*R280*.....POWER RED	1	-----	KR/B,KRAM,KRAM/A,KRA2/B,KRE/B,KRE4/B,KRM,KRMB,KRS/A,KRS2,KRW,KR4/B
			1	1149108	KR/A,KRA2/A,KRE/A,KRE4/A,KRS,KR4/A
			1	-----	KRS2
	19610-Z0D-V00ZD	*NH105*...MAT BLACK (#15-#20)	1	-----	BE14,BE14/A,SE3,SE3/A,VEA,VEG,VE3,VE3/A
	19610-Z0D-T00ZA	*NH1*.....BLACK	1	-----	BE14,BE14/A,SE3,SE3/A,VE3,VE3/A
	19610-Z0D-T00ZB	*R280*.....POWER RED	1	-----	BE14,BE14/A,SE3,SE3/A,VE3,VE3/A
2	36100-ZE1-015	SWITCH ASSY., ENGINE STOP ...	1	-----	KR,KR/A,KR/B,KRA2,KRA2/A,KRA2/B,KRB,KRB/A,KRB/B,KRBM,KRB1,KRB1/A,KRE
			1	-----	KRE/A,KRE/B,KRF2,KRMB,KRW2,KRW2/A,QAD,QAD/A,QA2,QA2/A,QA2/B,QA26,QA26/A
			1	-----	QA26/B,QD,QD/A,QD/B,QXU2,SA2,SA2/A,SD,SD/A,SD/B,SJ,SJ/A,SJ/B,SJH,SJH/A
			1	-----	SMG,SMG/A,VA2,VA2/A,VA2/B,WD,WD/A,WD/B,WJ,WJ/A,WJ/B

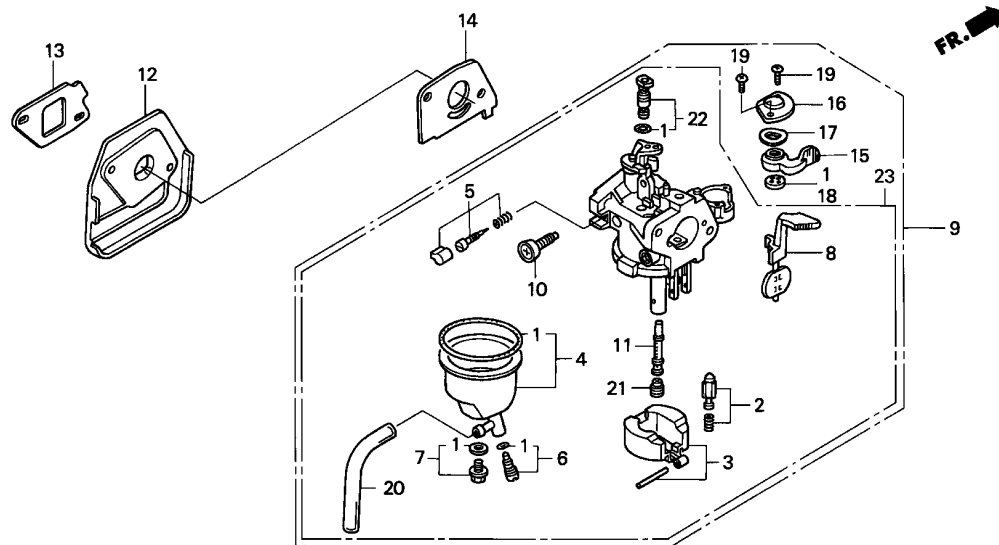


Ref. No.	Part No.	Description	Reqd. QTY		Serial No.	Parts catalogue code
			GX	100		
(2)	36100-ZH8-W41	SWITCH ASSY., ENGINE STOP	1	-----	-----	BE14, BE14/A, KRB4, KRB4/A, KRB4/B, KRE4, KRE4/A, KRE4/B, KR4, KR4/A, KR4/B, QE, QE/A, QE/B, QE14, QE14/A, SE, SE/A, SE/B, SE14, SE14/A, VE4, VE4/A, VE4/B
	35120-Z0D-V81	.....	1	-----	-----	KRAM, KRAM/A, KRBD, KRBD/A, KRM, KRS, KRS/A, KRW, QBE, SE3, SE3/A, VEA, VEG, VE3, VE3/A
3	90014-952-000	BOLT, FLANGE, 6X14(CT200)	4	-----	-----	BE14, BE14/A, KR, KR/A, KR/B, KRAM, KRAM/A, KRA2, KRA2/A, KRA2/B, KRB, KRB/A, KRB/B, KRBD, KRBD/A, KRBM, KRB1, KRB1/A, KRB4, KRB4/A, KRB4/B, KRE, KRE/A, KRE/B, KRE4, KRE4/A, KRE4/B, KRF2, KRG, KRG/A, KRG/B, KRM, KRMB, KRMG, KRS, KRS/A, KRS2, KRW, KRW2, KRW2/A, KR4, KR4/A, KR4/B, QAD, QAD/A, QA2, QA2/A, QA2/B, QA26, QA26/A, QA26/B, QBE, QD, QD/A, QD/B, QE, QE/A, QE/B, QE14, QE14/A, QXU2, SA2, SA2/A, SD, SD/A, SD/B, SE, SE/A, SE/B, SE14, SE14/A, SE3, SE3/A, SJ, SJ/A, SJ/B, SJH, SJH/A, SMG, SMG/A, VA2, VA2/A, VA2/B, VEA, VEG, VE3, VE3/A, VE4, VE4/A, VE4/B, WD, WD/A, WD/B, WJ, WJ/A, WJ/B
4	81329-567-020	GROMMET, DRAIN HOLE	5	-----	-----	VSW, VSW/A, VSW4
			1	-----	-----	KRG, KRG/A, KRG/B, KRMG, KRS2, VSW, VSW/A, VSW4

E-14

CARBURETOR(STANDARD)

D16



Z0D0-E1400B

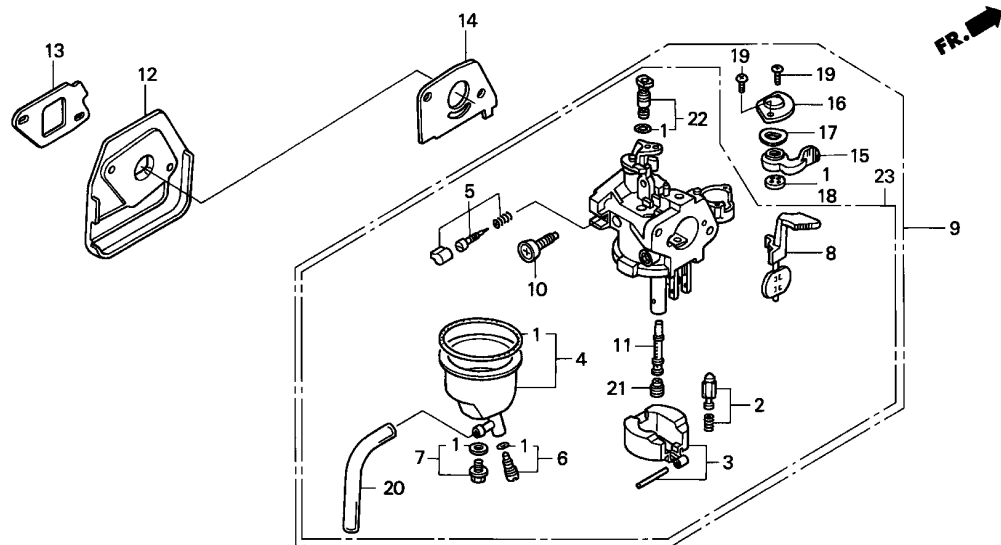
Ref. No.	L.O.N.	(Relative ref. Number) Description	F.R.T.
1	3111B1	GASKET SET, CARBURETOR (3)	0.3
2	3111E1	VALVE SET, FLOAT AND/OR FLOAT SET	0.3
5	3111D7	SCREW SET, PILOT	0.2
8	8101C5	CHOKE SET, CARBURETOR	0.2
9	3111F3	CARBURETOR (13)	0.2
12	3111C0	INSULATOR, CARBURETOR AND/OR PACKING, INSULATOR	0.2
14	3111C8	PACKING, CARBURETOR	0.2
18	3101C5	PACKING, FUEL COCK	0.2
21	3111C3	JET, MAIN	0.3

Ref. No.	Part No.	Description	Reqd. QTY	Serial No.	Parts catalogue code
			GX 100		
1	16010-ZG0-015 16010-ZM7-003	GASKET SET	1		VSW,VSW/A,VSW4 BE14,BE14/A,QAD,QAD/A,QA2,QA2/A,QA2/B,QA26,QA26/A,QA26/B,QBE,QD,QD/A,QD/B,QE,QE/A,QE/B,QE14,QE14/A,QXU2,SA2,SA2/A,SD,SD/A,SD/B,SE,SE/A,SE/B,SE14,SE14/A,SE3,SE3/A,SJ,SJ/A,SJ/B,SJH,SJH/A,SMG,SMG/A,VA2,VA2/A,VA2/B,VEA,VEG,VE3,VE3/A,VE4,VE4/A,VE4/B,WD,WD/A,WD/B,WJ,WJ/A,WJ/B
2	16011-ZE0-005	VALVE SET, FLOAT	1		BE14,BE14/A,QAD,QAD/A,QA2,QA2/A,QA2/B,QA26,QA26/A,QA26/B,QBE,QD,QD/A,QD/B,QE,QE/A,QE/B,QE14,QE14/A,QXU2,SA2,SA2/A,SD,SD/A,SD/B,SE,SE/A,SE/B,SE14,SE14/A,SE3,SE3/A,SJ,SJ/A,SJ/B,SJH,SJH/A,SMG,SMG/A,VA2,VA2/A,VA2/B,VEA,VEG,VE3,VE3/A,VE4,VE4/A,VE4/B,VSW,VSW/A,VSW4,WD,WD/A,WD/B,WJ,WJ/A,WJ/B
3	16013-ZG0-811	FLOAT SET	1		BE14,BE14/A,QAD,QAD/A,QA2,QA2/A,QA2/B,QA26,QA26/A,QA26/B,QBE,QD,QD/A,QD/B,QE,QE/A,QE/B,QE14,QE14/A,QXU2,SA2,SA2/A,SD,SD/A,SD/B,SE,SE/A,SE/B,SE14,SE14/A,SE3,SE3/A,SJ,SJ/A,SJ/B,SJH,SJH/A,SMG,SMG/A,VA2,VA2/A,VA2/B,VEA,VEG,VE3,VE3/A,VE4,VE4/A,VE4/B,VSW,VSW/A,VSW4,WD,WD/A,WD/B,WJ,WJ/A,WJ/B
4	16015-ZM7-003	CHAMBER SET, FLOAT	1		BE14,BE14/A,QAD,QAD/A,QA2,QA2/A,QA2/B,QA26,QA26/A,QA26/B,QBE,QD,QD/A,QD/B,QE,QE/A,QE/B,QE14,QE14/A,QXU2,SA2,SA2/A,SD,SD/A,SD/B,SE,SE/A,SE/B,SE14,SE14/A,SE3,SE3/A,SJ,SJ/A,SJ/B,SJH,SJH/A,SMG,SMG/A,VA2,VA2/A,VA2/B,VEA,VEG,VE3,VE3/A,VE4,VE4/A,VE4/B,VSW,VSW/A,VSW4,WD,WD/A,WD/B,WJ,WJ/A,WJ/B
5	16016-ZH7-W01	SCREW SET, PILOT	1		BE14,BE14/A,QAD,QAD/A,QA2,QA2/A,QA2/B,QA26,QA26/A,QA26/B,QBE,QD,QD/A,QD/B,QE,QE/A,QE/B,QE14,QE14/A,QXU2,SA2,SA2/A,SD,SD/A,SD/B,SE,SE/A,SE/B,SE14,SE14/A,SE3,SE3/A,SJ,SJ/A,SJ/B,SJH,SJH/A,SMG,SMG/A,VA2,VA2/A,VA2/B,VEA,VEG,VE3,VE3/A,VE4,VE4/A,VE4/B,VSW,VSW/A,VSW4,WD,WD/A,WD/B,WJ,WJ/A,WJ/B
6	16024-ZB9-005	SCREW SET, DRAIN	1		BE14,BE14/A,QAD,QAD/A,QA2,QA2/A,QA2/B,QA26,QA26/A,QA26/B,QBE,QD,QD/A,QD/B,QE,QE/A,QE/B,QE14,QE14/A,QXU2,SA2,SA2/A,SD,SD/A,SD/B,SE,SE/A,SE/B,SE14,SE14/A,SE3,SE3/A,SJ,SJ/A,SJ/B,SJH,SJH/A,SMG,SMG/A,VA2,VA2/A,VA2/B,VEA,VEG,VE3,VE3/A,VE4,VE4/A,VE4/B,VSW,VSW/A,VSW4,WD,WD/A,WD/B,WJ,WJ/A,WJ/B

Ref. No.	Part No.	Description	Reqd. QTY		Serial No.	Parts catalogue code
			GX	100		
7	16028-ZG0-811	SCREW SET .....	1	-----	-----	BE14, BE14/A, QAD, QAD/A, QA2, QA2/A, QA2/B, QA26, QA26/A, QA26/B, QBE, QD, QD/A, QD/B, QE, QE/A, QE/B, QE14, QE14/A, QXU2, SA2, SA2/A, SD, SD/A, SD/B, SE, SE/A, SE/B, SE14, SE14/A, SE3, SE3/A, SJ, SJ/A, SJ/B, SJH, SJH/A, SMG, SMG/A, VA2, VA2/A, VA2/B, VEA, VEG, VE3, VE3/A, VE4, VE4/A, VE4/B, VSW, VSW/A, VSW4, WD, WD/A, WD/B, WJ, WJ/A, WJ/B
8	16044-Z0D-003	CHOKE SET .....	1	-----	-----	BE14, BE14/A, QAD, QAD/A, QA2, QA2/A, QA2/B, QA26, QA26/A, QA26/B, QBE, QD, QD/A, QD/B, QE, QE/A, QE/B, QE14, QE14/A, QXU2, SA2, SA2/A, SD, SD/A, SD/B, SE, SE/A, SE/B, SE14, SE14/A, SE3, SE3/A, SJ, SJ/A, SJ/B, SJH, SJH/A, SMG, SMG/A, VA2, VA2/A, VA2/B, VEA, VEG, VE3, VE3/A, VE4, VE4/A, VE4/B, VSW, VSW/A, VSW4, WD, WD/A, WD/B, WJ, WJ/A, WJ/B
9	16100-Z0D-003 16100-Z0D-013	CARBURETOR ASSY. (BF32F A) .. CARBURETOR ASSY. (BF32F B) ..	1 1	----- -----	----- -----	QA2, QA26, QD, QE, SD, SE, SJ, VA2, VE4, WD, WJ BE14, BE14/A, QAD, QAD/A, QA2/A, QA2/B, QA26/A, QA26/B, QBE, QD/A, QD/B, QE/A, QE/B, QE14, QE14/A, QXU2, SA2, SA2/A, SD/A, SD/B, SE/A, SE/B, SE14, SE14/A, SE3, SE3/A, SJ/A, SJ/B, SJH, SJH/A, SMG, SMG/A, VA2/A, VA2/B, VEA, VEG, VE3, VE3/A, VE4/A, VE4/B, WD/A, WD/B, WJ/A, WJ/B
10	16124-ZE0-005	SCREW, THROTTLE STOP .....	1	-----	-----	BE14, BE14/A, QAD, QAD/A, QA2, QA2/A, QA2/B, QA26, QA26/A, QA26/B, QBE, QD, QD/A, QD/B, QE, QE/A, QE/B, QE14, QE14/A, QXU2, SA2, SA2/A, SD, SD/A, SD/B, SE, SE/A, SE/B, SE14, SE14/A, SE3, SE3/A, SJ, SJ/A, SJ/B, SJH, SJH/A, SMG, SMG/A, VA2, VA2/A, VA2/B, VEA, VEG, VE3, VE3/A, VE4, VE4/A, VE4/B, VSW, VSW/A, VSW4, WD, WD/A, WD/B, WJ, WJ/A, WJ/B
11	16166-Z0D-003	NOZZLE, MAIN .....	1	-----	-----	BE14, BE14/A, QAD, QAD/A, QA2, QA2/A, QA2/B, QA26, QA26/A, QA26/B, QBE, QD, QD/A, QD/B, QE, QE/A, QE/B, QE14, QE14/A, QXU2, SA2, SA2/A, SD, SD/A, SD/B, SE, SE/A, SE/B, SE14, SE14/A, SE3, SE3/A, SJ, SJ/A, SJ/B, SJH, SJH/A, SMG, SMG/A, VA2, VA2/A, VA2/B, VEA, VEG, VE3, VE3/A, VE4, VE4/A, VE4/B, VSW, VSW/A, VSW4, WD, WD/A, WD/B, WJ, WJ/A, WJ/B
12	16211-Z0D-000	INSULATOR, CARBURETOR .....	1	-----	-----	BE14, BE14/A, QAD, QAD/A, QA2, QA2/A, QA2/B, QA26, QA26/A, QA26/B, QBE, QD, QD/A, QD/B, QE, QE/A, QE/B, QE14, QE14/A, QXU2, SA2, SA2/A, SD, SD/A, SD/B, SE, SE/A, SE/B, SE14, SE14/A, SE3, SE3/A, SJ, SJ/A, SJ/B, SJH, SJH/A, SMG, SMG/A, VA2, VA2/A, VA2/B, VEA, VEG, VE3, VE3/A, VE4, VE4/A, VE4/B, VSW, VSW/A, VSW4, WD, WD/A, WD/B, WJ, WJ/A, WJ/B
13	16212-Z0D-000	PACKING, INSULATOR .....	1	-----	-----	BE14, BE14/A, QAD, QAD/A, QA2, QA2/A, QA2/B, QA26, QA26/A, QA26/B, QBE, QD, QD/A, QD/B, QE, QE/A, QE/B, QE14, QE14/A, QXU2, SA2, SA2/A, SD, SD/A, SD/B, SE, SE/A, SE/B, SE14, SE14/A, SE3, SE3/A, SJ, SJ/A, SJ/B, SJH, SJH/A, SMG, SMG/A, VA2, VA2/A, VA2/B, VEA, VEG, VE3, VE3/A, VE4, VE4/A, VE4/B, VSW, VSW/A, VSW4, WD, WD/A, WD/B, WJ, WJ/A, WJ/B
14	16221-ZG0-801	PACKING, CARBURETOR .....	1	-----	-----	BE14, BE14/A, QAD, QAD/A, QA2, QA2/A, QA2/B, QA26, QA26/A, QA26/B, QBE, QD, QD/A, QD/B, QE, QE/A, QE/B, QE14, QE14/A, QXU2, SA2, SA2/A, SD, SD/A, SD/B, SE, SE/A, SE/B, SE14, SE14/A, SE3, SE3/A, SJ, SJ/A, SJ/B, SJH, SJH/A, SMG, SMG/A, VA2, VA2/A, VA2/B, VEA, VEG, VE3, VE3/A, VE4, VE4/A, VE4/B, VSW, VSW/A, VSW4, WD, WD/A, WD/B, WJ, WJ/A, WJ/B
15	16953-Z0D-003	LEVER, COCK .....	1	-----	-----	BE14, BE14/A, QAD, QAD/A, QA2, QA2/A, QA2/B, QA26, QA26/A, QA26/B, QBE, QD, QD/A, QD/B, QE, QE/A, QE/B, QE14, QE14/A, QXU2, SA2, SA2/A, SD, SD/A, SD/B, SE, SE/A, SE/B, SE14, SE14/A, SE3, SE3/A, SJ, SJ/A, SJ/B, SJH, SJH/A, SMG, SMG/A, VA2, VA2/A, VA2/B, VEA, VEG, VE3, VE3/A, VE4, VE4/A, VE4/B, WD, WD/A, WD/B, WJ, WJ/A, WJ/B
16	16954-ZE1-812	PLATE, LEVER SETTING .....	1	-----	-----	BE14, BE14/A, QAD, QAD/A, QA2, QA2/A, QA2/B, QA26, QA26/A, QA26/B, QBE, QD, QD/A, QD/B, QE, QE/A, QE/B, QE14, QE14/A, QXU2, SA2, SA2/A, SD, SD/A, SD/B, SE, SE/A, SE/B, SE14, SE14/A, SE3, SE3/A, SJ, SJ/A, SJ/B, SJH, SJH/A, SMG, SMG/A, VA2, VA2/A, VA2/B, VEA, VEG, VE3, VE3/A, VE4, VE4/A, VE4/B, WD, WD/A, WD/B, WJ, WJ/A, WJ/B
17	16956-ZE1-811	SPRING, COCK LEVER .....	1	-----	-----	BE14, BE14/A, QAD, QAD/A, QA2, QA2/A, QA2/B, QA26, QA26/A, QA26/B, QBE, QD, QD/A, QD/B, QE, QE/A, QE/B, QE14, QE14/A, QXU2, SA2, SA2/A, SD, SD/A, SD/B, SE, SE/A, SE/B, SE14, SE14/A, SE3, SE3/A, SJ, SJ/A, SJ/B, SJH, SJH/A, SMG, SMG/A, VA2, VA2/A, VA2/B, VEA, VEG, VE3, VE3/A, VE4, VE4/A, VE4/B, WD, WD/A, WD/B, WJ, WJ/A, WJ/B
18	16957-ZE1-812	PACKING, FUEL COCK .....	1	-----	-----	BE14, BE14/A, QAD, QAD/A, QA2, QA2/A, QA2/B, QA26, QA26/A, QA26/B, QBE, QD, QD/A, QD/B, QE, QE/A, QE/B, QE14, QE14/A, QXU2, SA2, SA2/A, SD, SD/A, SD/B, SE, SE/A, SE/B, SE14, SE14/A, SE3, SE3/A, SJ, SJ/A, SJ/B, SJH, SJH/A, SMG, SMG/A, VA2, VA2/A, VA2/B, VEA, VEG, VE3, VE3/A, VE4, VE4/A, VE4/B, WD, WD/A, WD/B, WJ, WJ/A, WJ/B
19	93500-03006-1H	SCREW, PAN, 3X6 .....	2	-----	-----	BE14, BE14/A, QAD, QAD/A, QA2, QA2/A, QA2/B, QA26, QA26/A, QA26/B, QBE, QD, QD/A, QD/B, QE, QE/A, QE/B, QE14, QE14/A, QXU2, SA2, SA2/A, SD, SD/A, SD/B, SE, SE/A, SE/B, SE14, SE14/A, SE3, SE3/A, SJ, SJ/A, SJ/B, SJH, SJH/A, SMG, SMG/A, VA2, VA2/A, VA2/B, VEA, VEG, VE3, VE3/A, VE4, VE4/A, VE4/B, WD, WD/A, WD/B, WJ, WJ/A, WJ/B



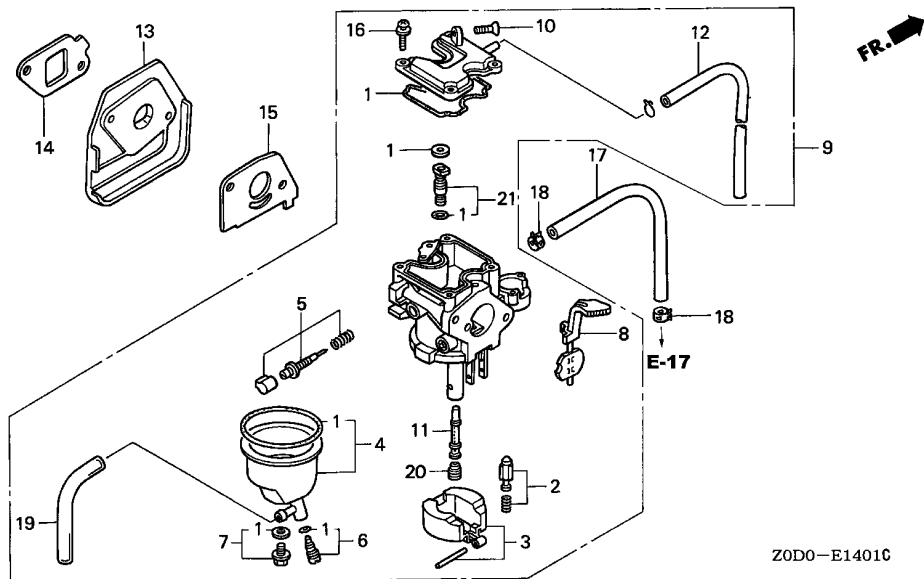




Z0D0-E1400B

Ref. No.	Part No.	Description	Reqd. QTY		Serial No.	Parts catalogue code
			GX	100		
20	95003-05010-31	TUBE, VINYL, 3.5X6.5X100 (95003-05001-60M)	1	-----	-----	BE14,BE14/A,QAD,QAD/A,QA2,QA2/A,QA2/B,QA26,QA26/A,QA26/B,QBE,QD,QD/A,QD/B,QE,QE/A,QE/B,QE14,QE14/A,QXU2,SA2,SA2/A,SD,SD/A,SD/B,SE,SE/A,SE/B,SE14,SE14/A,SE3,SE3/A,SJ,SJ/A,SJ/B,SJH,SJH/A,SMG,SMG/A,VA2,VA2/A,VA2/B,VEA,VEG,VE3,VE3/A,VE4,VE4/A,VE4/B,WD,WD/A,WD/B,WJ,WJ/A,WJ/B
	95003-05025-31	TUBE, VINYL, 3.5X6.5X250 (95003-05001-60M)	1	-----	-----	VSW,VSW/A,VSW4
21	99101-ZG0-0550	JET, MAIN, #55	(1)	-----	-----	BE14,BE14/A,QAD,QAD/A,QA2,QA2/A,QA2/B,QA26,QA26/A,QA26/B,QBE,QD,QD/A,QD/B,QE,QE/A,QE/B,QE14,QE14/A,QXU2,SA2,SA2/A,SD,SD/A,SD/B,SE,SE/A,SE/B,SE14,SE14/A,SE3,SE3/A,SJ,SJ/A,SJ/B,SJH,SJH/A,SMG,SMG/A,VA2,VA2/A,VA2/B,VEA,VEG,VE3,VE3/A,VE4,VE4/A,VE4/B,VSW,VSW/A,VSW4,WD,WD/A,WD/B,WJ,WJ/A,WJ/B
	99101-ZG0-0580	JET, MAIN, #58	(1)	-----	-----	BE14,BE14/A,QAD,QAD/A,QA2,QA2/A,QA2/B,QA26,QA26/A,QA26/B,QBE,QD,QD/A,QD/B,QE,QE/A,QE/B,QE14,QE14/A,QXU2,SA2,SA2/A,SD,SD/A,SD/B,SE,SE/A,SE/B,SE14,SE14/A,SE3,SE3/A,SJ,SJ/A,SJ/B,SJH,SJH/A,SMG,SMG/A,VA2,VA2/A,VA2/B,VEA,VEG,VE3,VE3/A,VE4,VE4/A,VE4/B,VSW,VSW/A,VSW4,WD,WD/A,WD/B,WJ,WJ/A,WJ/B
	99101-ZG0-0600	JET, MAIN, #60	1	-----	-----	BE14,BE14/A,QAD,QAD/A,QA2,QA2/A,QA2/B,QA26,QA26/A,QA26/B,QBE,QD,QD/A,QD/B,QE,QE/A,QE/B,QE14,QE14/A,QXU2,SA2,SA2/A,SD,SD/A,SD/B,SE,SE/A,SE/B,SE14,SE14/A,SE3,SE3/A,SJ,SJ/A,SJ/B,SJH,SJH/A,SMG,SMG/A,VA2,VA2/A,VA2/B,VEA,VEG,VE3,VE3/A,VE4,VE4/A,VE4/B,VSW,VSW/A,VSW4,WD,WD/A,WD/B,WJ,WJ/A,WJ/B
22	99204-ZE2-0350	JET SET, PILOT, #35	1	-----	-----	BE14,BE14/A,QAD,QAD/A,QA2,QA2/A,QA2/B,QA26,QA26/A,QA26/B,QBE,QD,QD/A,QD/B,QE,QE/A,QE/B,QE14,QE14/A,QXU2,SA2,SA2/A,SD,SD/A,SD/B,SE,SE/A,SE/B,SE14,SE14/A,SE3,SE3/A,SJ,SJ/A,SJ/B,SJH,SJH/A,SMG,SMG/A,VA2,VA2/A,VA2/B,VEA,VEG,VE3,VE3/A,VE4,VE4/A,VE4/B,VSW,VSW/A,VSW4,WD,WD/A,WD/B,WJ,WJ/A,WJ/B
23	16100-Z0D-U01	CARBURETOR ASSY. (BF31F A)	..	1	-----	VSW,VSW/A,VSW4



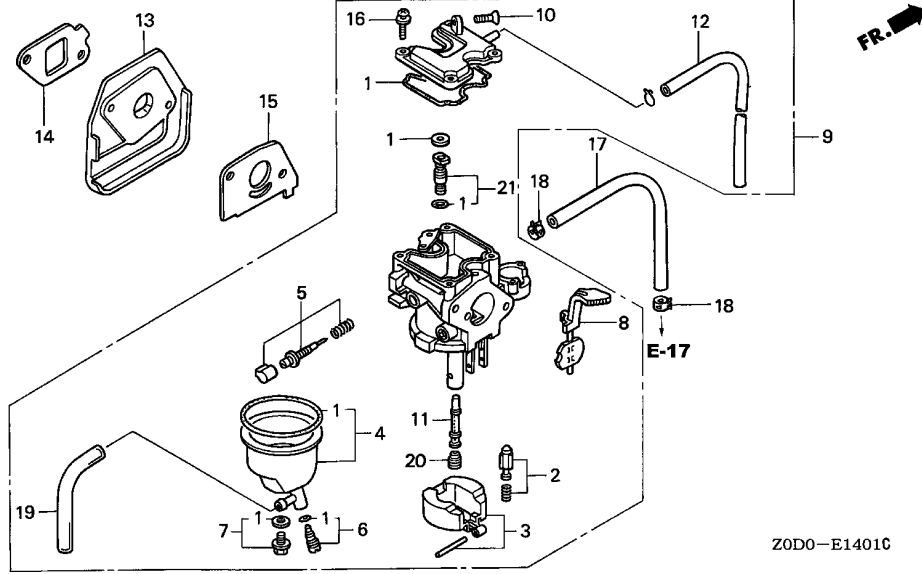


Z0D0-E1401C

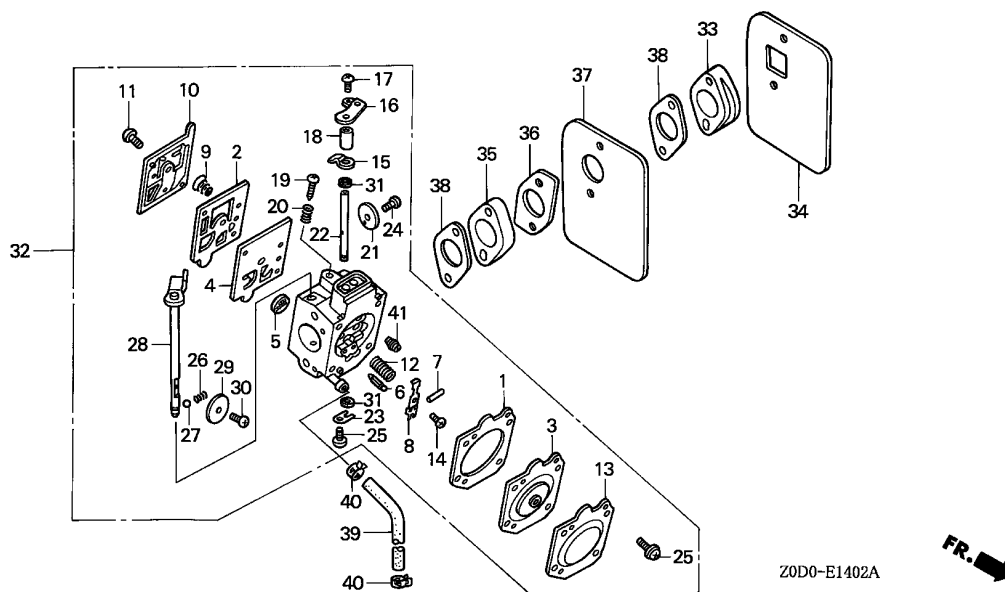
Ref. No.	Part No.	Description	Reqd. QTY		Serial No.	Parts catalogue code
			GX	100		
13	16211-Z0D-000	INSULATOR, CARBURETOR	1	-----	-----	KR, KR/A, KR/B, KRA2, KRA2/A, KRA2/B, KRB, KRB/A, KRB/B, KRBD, KRBD/A, KRB1, KRB1/A, KRB4, KRB4/A, KRB4/B, KRE, KRE/A, KRE/B, KRS, KRS/A, KRS2, KRW2, KRW2/A
14	16212-Z0D-V20	PACKING, INSULATOR	1	-----	-----	KR, KR/A, KR/B, KRA2, KRA2/A, KRA2/B, KRB, KRB/A, KRB/B, KRBD, KRBD/A, KRB1, KRB1/A, KRB4, KRB4/A, KRB4/B, KRE, KRE/A, KRE/B, KRS, KRS/A, KRS2, KRW2, KRW2/A
15	16221-ZG0-801	PACKING, CARBURETOR	1	-----	-----	KR, KR/A, KR/B, KRA2, KRA2/A, KRA2/B, KRB, KRB/A, KRB/B, KRBD, KRBD/A, KRB1, KRB1/A, KRB4, KRB4/A, KRB4/B, KRE, KRE/A, KRE/B, KRS, KRS/A, KRS2, KRW2, KRW2/A
16	93892-04012-18	SCREW-WASHER, 4X12	4	-----	-----	KR, KR/A, KR/B, KRA2, KRA2/A, KRA2/B, KRB, KRB/A, KRB/B, KRBD, KRBD/A, KRB1, KRB1/A, KRB4, KRB4/A, KRB4/B, KRE, KRE/A, KRE/B, KRS, KRS/A, KRS2, KRW2, KRW2/A
17	95001-45270-50	HOSE, FUEL, 4.5X270	1	-----	-----	KRB, KRB4
	(95001-45001-50M)		1	-----	1144521	KRB/A, KRB4/A
	95001-45310-50	HOSE, FUEL, 4.5X310	1	-----	-----	KRS, KRS/A
	(95001-45001-50M)		1	-----	-----	
	95001-45400-50	HOSE, FUEL, 4.5X400	1	-----	-----	KR, KR/A, KR/B, KRA2, KRA2/A, KRA2/B, KRE, KRE/A, KRE/B, KRF2, KRW2, KRW2/A
	(95001-45001-50M)		1	-----	-----	
	95001-45210-50	TUBE, FUEL, 4.5X210	1	-----	-----	KRB/B, KRBD, KRBD/A, KRB1, KRB1/A, KRB4/B
	(95001-45001-50M)		1	1144522	-----	KRB/A, KRB4/A
18	95002-40850-08	CLAMP, TUBE (D8.5)	2	-----	-----	KR, KR/A, KR/B, KRA2, KRA2/A, KRA2/B, KRB, KRB/A, KRB/B, KRBD, KRBD/A, KRB1, KRB1/A, KRB4, KRB4/A, KRB4/B, KRE, KRE/A, KRE/B, KRS, KRS/A, KRS2, KRW2, KRW2/A
19	95003-05010-31	TUBE, VINYL, 3.5X6.5X100	1	-----	-----	KR, KR/A, KR/B, KRA2, KRA2/A, KRA2/B, KRB, KRB/A, KRB/B, KRBD, KRBD/A, KRB1, KRB1/A, KRB4, KRB4/A, KRB4/B, KRE, KRE/A, KRE/B, KRS, KRS/A, KRS2, KRW2, KRW2/A
	(95003-05001-60M)		1	-----	-----	
20	99101-ZG0-0600	JET, MAIN, #60	1	-----	-----	KR, KR/A, KR/B, KRA2, KRA2/A, KRA2/B, KRB, KRB/A, KRB/B, KRBD, KRBD/A, KRB1, KRB1/A, KRB4, KRB4/A, KRB4/B, KRE, KRE/A, KRE/B, KRS, KRS/A, KRS2, KRW2, KRW2/A
	99101-ZG0-0550	JET, MAIN, #55	(1)	-----	-----	KR, KR/A, KR/B, KRA2, KRA2/A, KRA2/B, KRB, KRB/A, KRB/B, KRBD, KRBD/A, KRB1, KRB1/A, KRB4, KRB4/A, KRB4/B, KRE, KRE/A, KRE/B, KRS, KRS/A, KRS2, KRW2, KRW2/A

# E-14-1

# CARBURETOR(RAMMER FLOAT)



Ref. No.	Part No.	Description	Reqd. QTY		Serial No.	Parts catalogue code
			GX	100		
20)	99101-ZG0-0580	JET, MAIN, #58 .....	(1)	-----	-----	KR, KR/A, KR/B, KRA2, KRA2/A, KRA2/B, KRB, KRB/A, KRB/B, KRBD, KRBD/A, KRB1, KRB1/A, KRB4, KRB4/A, KRB4/B, KRE, KRE/A, KRE/B, KRS, KRS/A, KRS2, KRW2, KRW2/A
21	99204-ZE0-0350	JET SET, PILOT, #35 .....	1	-----	-----	KR, KR/A, KR/B, KRA2, KRA2/A, KRA2/B, KRB, KRB/A, KRB/B, KRBD, KRBD/A, KRB1, KRB1/A, KRB4, KRB4/A, KRB4/B, KRE, KRE/A, KRE/B, KRS, KRS/A, KRS2, KRW2, KRW2/A

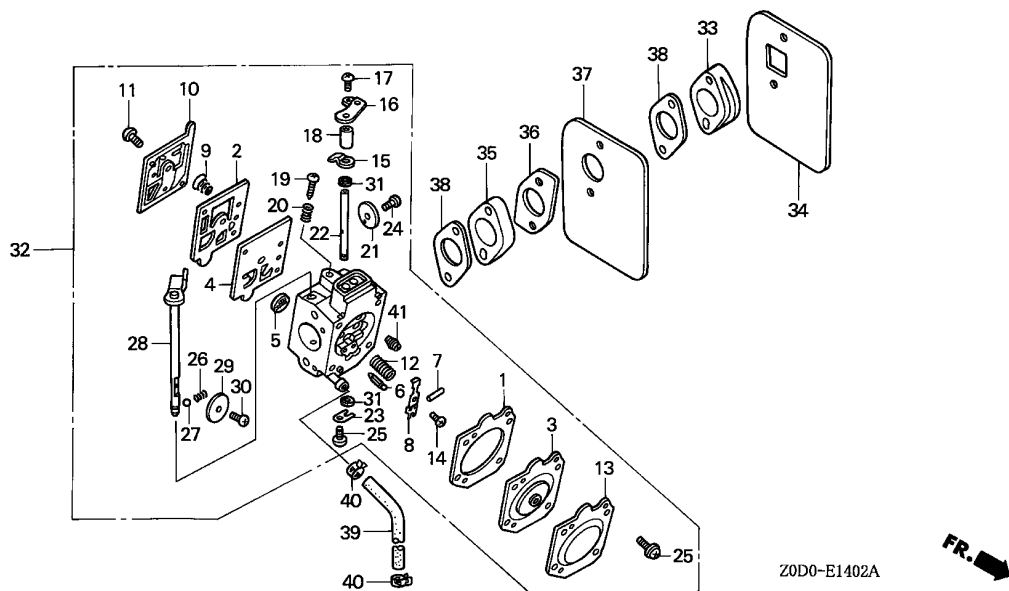


Ref. No.	L.O.N.	(Relative ref. Number) Description	F.R.T.
1	3111J0	GASKET, CARBURETOR METERING DIAPHRAGM	0.2
2	3111B7	GASKET, CARBURETOR PUMP	0.2
3	3111A8	DIAPHRAGM, CARBURETOR METERING	0.2
4	3111A9	DIAPHRAGM, CARBURETOR PUMP	0.2
5	3111J3	SCREEN, CARBURETOR INLET	0.2
6	3111E3	VALVE, INLET NEEDLE	0.3
22	3111J5	SHAFT, CARBURETOR THROTTLE	0.2
28	3111J4	SHAFT, CARBURETOR CHOKE	0.2
32	3111F3	CARBURETOR	0.2
33	3111C0	INSULATOR, CARBURETOR AND/OR PACKING, INSULATOR	0.2
35	3111J1	INSULATOR B, CARBURETOR AND/OR PACKING B, INSULATOR	0.2
37	3111J2	PLATE, CARBURETOR INSULATOR	0.2
38	3111C8	PACKING, CARBURETOR	0.2
.NOTE: Same time for two units			
39	3101B1	HOSE, FUEL	0.2
41	3111C3	JET, MAIN	0.3

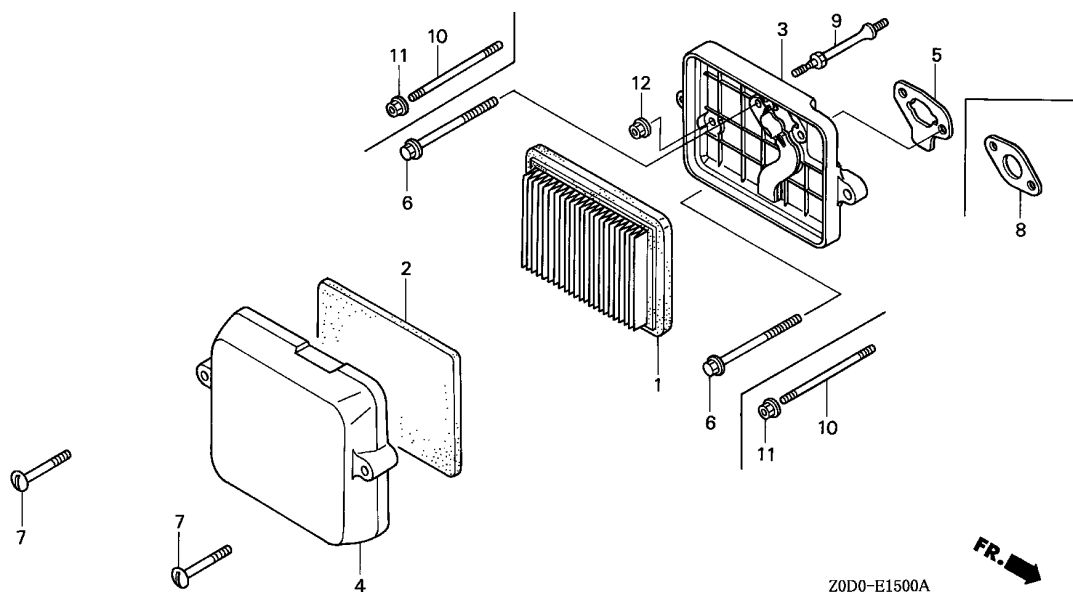
Ref. No.	Part No.	Description	Reqd. QTY		Serial No.	Parts catalogue code
			GX	100		
1	16010-Z0D-V02	GASKET, METERING DIAPHRAGM	1	1	-----	KRAM,KRAM/A,KRBM,KRE4,KRE4/A,KRE4/B,KRF2,KRG,KRG/A,KRG/B,KRM,KRMB,KRMG KRW,KR4,KR4/A,KR4/B
2	16011-Z0D-V02	GASKET, PUMP	1	1	-----	KRAM,KRAM/A,KRBM,KRE4,KRE4/A,KRE4/B,KRF2,KRG,KRG/A,KRG/B,KRM,KRMB,KRMG KRW,KR4,KR4/A,KR4/B
3	16013-Z0D-V02	DIAPHRAGM ASSY., METERING	1	1	-----	KRAM,KRAM/A,KRBM,KRE4,KRE4/A,KRE4/B,KRF2,KRG,KRG/A,KRG/B,KRM,KRMB,KRMG KRW,KR4,KR4/A,KR4/B
4	16014-Z0D-V02	DIAPHRAGM, PUMP	1	1	-----	KRAM,KRAM/A,KRBM,KRE4,KRE4/A,KRE4/B,KRF2,KRG,KRG/A,KRG/B,KRM,KRMB,KRMG KRW,KR4,KR4/A,KR4/B
5	16018-ZM3-004	SCREEN, INLET	1	1	-----	KRAM,KRAM/A,KRBM,KRE4,KRE4/A,KRE4/B,KRF2,KRG,KRG/A,KRG/B,KRM,KRMB,KRMG KRW,KR4,KR4/A,KR4/B
6	16019-ZM3-004	VALVE, INLET NEEDLE	1	1	-----	KRAM,KRAM/A,KRBM,KRE4,KRE4/A,KRE4/B,KRF2,KRG,KRG/A,KRG/B,KRM,KRMB,KRMG KRW,KR4,KR4/A,KR4/B
7	16022-ZM3-004	PIN, METERING LEVER	1	1	-----	KRAM,KRE4,KRE4/A,KRG,KRG/A,KR4,KR4/A
	16022-ZM3-014	.....	1	1	-----	KRAM/A,KRBM,KRE4/B,KRF2,KRG/B,KRM,KRMB,KRMG,KRW,KR4/B
8	16023-Z0D-V02	LEVER, METERING	1	1	-----	KRAM,KRAM/A,KRBM,KRE4,KRE4/A,KRE4/B,KRF2,KRG,KRG/A,KRG/B,KRM,KRMB,KRMG KRW,KR4,KR4/A,KR4/B
9	16030-ZM3-004	SPRING, PUMP	1	1	-----	KRAM,KRAM/A,KRBM,KRE4,KRE4/A,KRE4/B,KRF2,KRG,KRG/A,KRG/B,KRM,KRMB,KRMG KRW,KR4,KR4/A,KR4/B
10	16040-Z0D-V02	COVER, PUMP	1	1	-----	KRAM,KRAM/A,KRBM,KRE4,KRE4/A,KRE4/B,KRF2,KRG,KRG/A,KRG/B,KRM,KRMB,KRMG KRW,KR4,KR4/A,KR4/B
11	16041-Z0D-V02	SCREW	1	1	-----	KRAM,KRAM/A,KRBM,KRE4,KRE4/A,KRE4/B,KRF2,KRG,KRG/A,KRG/B,KRM,KRMB,KRMG KRW,KR4,KR4/A,KR4/B
12	16042-Z0D-V02	SPRING	1	1	-----	KRAM,KRAM/A,KRBM,KRE4,KRE4/A,KRE4/B,KRF2,KRG,KRG/A,KRG/B,KRM,KRMB,KRMG KRW,KR4,KR4/A,KR4/B
13	16043-Z0D-V02	COVER, METERING DIAPHRAGM	1	1	-----	KRAM,KRAM/A,KRBM,KRE4,KRE4/A,KRE4/B,KRF2,KRG,KRG/A,KRG/B,KRM,KRMB,KRMG KRW,KR4,KR4/A,KR4/B

Ref. No.	Part No.	Description	Reqd. QTY		Serial No.	Parts catalogue code
			GX	100		
14	16044-Z0D-V02	SCREW .....	1	-----	-----	KRAM,KRAM/A,KRBM,KRE4,KRE4/A,KRE4/B,KRF2,KRG,KRG/A,KRG/B,KRM,KRMB,KRMG KRW,KR4,KR4/A,KR4/B
15	16045-Z0D-V02	STOPPER, THROTTLE LEVER .....	1	-----	-----	KRAM,KRAM/A,KRBM,KRE4,KRE4/A,KRE4/B,KRF2,KRG,KRG/A,KRG/B,KRM,KRMB,KRMG KRW,KR4,KR4/A,KR4/B
16	16046-Z0D-V02	LEVER, THROTTLE .....	1	-----	-----	KRBM,KRE4,KRE4/A,KRE4/B,KRF2,KRM,KRMB,KRW,KR4,KR4/A,KR4/B
	16046-Z0D-V72	.....	1	-----	-----	KRAM,KRAM/A,KRG,KRG/A,KRG/B,KRMG
17	16054-Z0D-V02	SCREW, VALVE .....	1	-----	-----	KRAM,KRAM/A,KRBM,KRE4,KRE4/A,KRE4/B,KRF2,KRG,KRG/A,KRG/B,KRM,KRMB,KRMG KRW,KR4,KR4/A,KR4/B
18	16048-Z0D-V02	SPACER, THROTTLE LEVER .....	1	-----	-----	KRAM,KRAM/A,KRBM,KRE4,KRE4/A,KRE4/B,KRF2,KRG,KRG/A,KRG/B,KRM,KRMB,KRMG KRW,KR4,KR4/A,KR4/B
19	16049-Z0D-V02	SCREW, IDLE ADJUSTING .....	1	-----	-----	KRAM,KRAM/A,KRBM,KRE4,KRE4/A,KRE4/B,KRF2,KRG,KRG/A,KRG/B,KRM,KRMB,KRMG KRW,KR4,KR4/A,KR4/B
20	16050-Z0D-V02	SPRING .....	1	-----	-----	KRAM,KRAM/A,KRBM,KRE4,KRE4/A,KRE4/B,KRF2,KRG,KRG/A,KRG/B,KRM,KRMB,KRMG KRW,KR4,KR4/A,KR4/B
21	16051-Z0D-V02	VALVE, THROTTLE .....	1	-----	-----	KRAM,KRAM/A,KRBM,KRE4,KRE4/A,KRE4/B,KRF2,KRG,KRG/A,KRG/B,KRM,KRMB,KRMG KRW,KR4,KR4/A,KR4/B
22	16052-Z0D-V02	SHAFT, THROTTLE .....	1	-----	-----	KRAM,KRAM/A,KRBM,KRE4,KRE4/A,KRE4/B,KRF2,KRG,KRG/A,KRG/B,KRM,KRMB,KRMG KRW,KR4,KR4/A,KR4/B
23	16053-Z0D-V02	CLIP, THROTTLE SHAFT .....	1	-----	-----	KRAM,KRAM/A,KRBM,KRE4,KRE4/A,KRE4/B,KRF2,KRG,KRG/A,KRG/B,KRM,KRMB,KRMG KRW,KR4,KR4/A,KR4/B
24	16054-Z0D-V02	SCREW, VALVE .....	1	-----	-----	KRAM,KRAM/A,KRBM,KRE4,KRE4/A,KRE4/B,KRF2,KRG,KRG/A,KRG/B,KRM,KRMB,KRMG KRW,KR4,KR4/A,KR4/B
25	16055-Z0D-V02	SCREW ASSY. ....	5	-----	-----	KRAM,KRAM/A,KRBM,KRE4,KRE4/A,KRE4/B,KRF2,KRG,KRG/A,KRG/B,KRM,KRMB,KRMG KRW,KR4,KR4/A,KR4/B
26	16056-Z0D-V02	SPRING .....	1	-----	-----	KRAM,KRAM/A,KRBM,KRE4,KRE4/A,KRE4/B,KRF2,KRG,KRG/A,KRG/B,KRM,KRMB,KRMG KRW,KR4,KR4/A,KR4/B
27	16057-Z0D-V02	BALL .....	1	-----	-----	KRAM,KRAM/A,KRBM,KRE4,KRE4/A,KRE4/B,KRF2,KRG,KRG/A,KRG/B,KRM,KRMB,KRMG KRW,KR4,KR4/A,KR4/B
28	16058-Z0D-V02	SHAFT ASSY., CHOKE .....	1	-----	-----	KRBM,KRE4,KRE4/A,KRE4/B,KRF2,KRM,KRMB,KRW,KR4,KR4/A,KR4/B
	16058-Z0D-V72	.....	1	-----	-----	KRAM,KRAM/A,KRG,KRG/A,KRG/B,KRMG
29	16059-Z0D-V02	VALVE, CHOKE .....	1	-----	-----	KRAM,KRE4,KRE4/A,KRG,KRG/A,KR4,KR4/A
		(CARBURETOR NO.)	1	-----	HDA 201B	KRE4/B,KRF2,KRM,KRW,KR4/B
		//	1	-----	HDA 206A	KRAM/A,KRG/B
16059-Z0D-V03	.....	(CARBURETOR NO.)	1	-----	-----	KRBM,KRMB,KRMG
		//	1	HDA 201C	-----	KRE4/B,KRF2,KRM,KRW,KR4/B
		//	1	HDA 206B	-----	KRAM/A,KRG/B
30	16060-Z0D-V02	SCREW .....	1	-----	-----	KRAM,KRAM/A,KRBM,KRE4,KRE4/A,KRE4/B,KRF2,KRG,KRG/A,KRG/B,KRM,KRMB,KRMG KRW,KR4,KR4/A,KR4/B
31	16061-Z0D-V02	SEAL, DUST .....	2	-----	-----	KRAM,KRAM/A,KRBM,KRE4,KRE4/A,KRE4/B,KRF2,KRG,KRG/A,KRG/B,KRM,KRMB,KRMG KRW,KR4,KR4/A,KR4/B
32	16100-Z0D-V02	CARBURETOR ASSY. (HDA 201A) -	1	-----	-----	KRE4,KRE4/A,KR4,KR4/A
			1	-----	1310380	KRE4/B,KRM,KRW,KR4/B
	16100-Z0D-V03	CARBURETOR ASSY. (HDA 201B) -	1	-----	-----	1432702 KRF2
			1	-----	1310381	1432702 KRE4/B,KRM,KRW,KR4/B
	16100-Z0D-V72	CARBURETOR ASSY. (HDA 206A) -	1	-----	-----	KRAM,KRG,KRG/A
			1	-----	1317056	KRAM/A,KRG/B
	16100-Z0D-V04	CARBURETOR ASSY. (HDA 201C) -	1	-----	-----	KRBM,KRMB
			1	-----	1432703	KRE4/B,KRF2,KRM,KRW,KR4/B
	16100-Z0D-V73	CARBURETOR ASSY. (HDA 206A) -	1	-----	1317057	1435461 KRAM/A,KRG/B
	16100-Z0D-V74	CARBURETOR ASSY. (HDA 206B) -	1	-----	-----	KRMG
			1	-----	1435462	KRAM/A,KRG/B
33	16211-Z0D-V00	INSULATOR, CARBURETOR .....	1	-----	-----	KRAM,KRAM/A,KRBM,KRE4,KRE4/A,KRE4/B,KRF2,KRG,KRG/A,KRG/B,KRM,KRMB,KRMG KRW,KR4,KR4/A,KR4/B





Ref. No.	Part No.	Description	Reqd. QTY		Serial No.	Parts catalogue code
			GX	100		
34	16212-Z0D-V00	PACKING, INSULATOR .....	1	-----	-----	KRAM,KRAM/A,KRBM,KRE4,KRE4/A,KRE4/B,KRF2,KRG,KRG/A,KRG/B,KRM,KRMB,KRMG KRW,KR4,KR4/A,KR4/B
35	16213-Z0D-V00	INSULATOR B, CARBURETOR .....	1	-----	-----	KRAM,KRAM/A,KRBM,KRE4,KRE4/A,KRE4/B,KRF2,KRG,KRG/A,KRG/B,KRM,KRMB,KRMG KRW,KR4,KR4/A,KR4/B
36	16214-Z0D-V00	PACKING B, INSULATOR .....	1	-----	-----	KRAM,KRAM/A,KRBM,KRE4,KRE4/A,KRE4/B,KRF2,KRG,KRG/A,KRG/B,KRM,KRMB,KRMG KRW,KR4,KR4/A,KR4/B
37	16215-Z0D-V00	PLATE, INSULATOR .....	1	-----	-----	KRAM,KRAM/A,KRBM,KRE4,KRE4/A,KRE4/B,KRF2,KRG,KRG/A,KRG/B,KRM,KRMB,KRMG KRW,KR4,KR4/A,KR4/B
38	16221-Z0D-V00	PACKING, CARBURETOR .....	2	-----	-----	KRAM,KRAM/A,KRBM,KRE4,KRE4/A,KRE4/B,KRF2,KRG,KRG/A,KRG/B,KRM,KRMB,KRMG KRW,KR4,KR4/A,KR4/B
39	95001-45400-50	HOSE, FUEL, 4.5X400 (95001-45001-50M)	1	-----	-----	KRE4,KRE4/A,KRE4/B,KRF2,KRMB,KRW,KR4,KR4/A,KR4/B
	95001-45120-50	HOSE, FUEL, 4.5X120 (95001-45001-50M)	1	-----	-----	KRM
	95003-36021-20	TUBE, VINYL, 11X13X210 (95003-36001-10M)	1	-----	-----	KRBM
40	95002-40850-08	CLAMP, TUBE (D8.5) .....	2	-----	-----	KRBM,KRE4,KRE4/A,KRE4/B,KRF2,KRM,KRMB,KRW,KR4,KR4/A,KR4/B
41	99101-Z0D-0500	JET (#50) .....	(1)	-----	-----	KRAM,KRAM/A,KRBM,KRE4,KRE4/A,KRE4/B,KRF2,KRG,KRG/A,KRG/B,KRM,KRMB,KRMG KRW,KR4,KR4/A,KR4/B
	99101-Z0D-0520	JET (#52) .....	(1)	-----	-----	KRAM,KRAM/A,KRBM,KRE4,KRE4/A,KRE4/B,KRF2,KRG,KRG/A,KRG/B,KRM,KRMB,KRMG KRW,KR4,KR4/A,KR4/B
	99101-Z0D-0540	JET (#54) .....	1	-----	-----	KRAM,KRAM/A,KRBM,KRE4,KRE4/A,KRE4/B,KRF2,KRG,KRG/A,KRG/B,KRM,KRMB,KRMG KRW,KR4,KR4/A,KR4/B

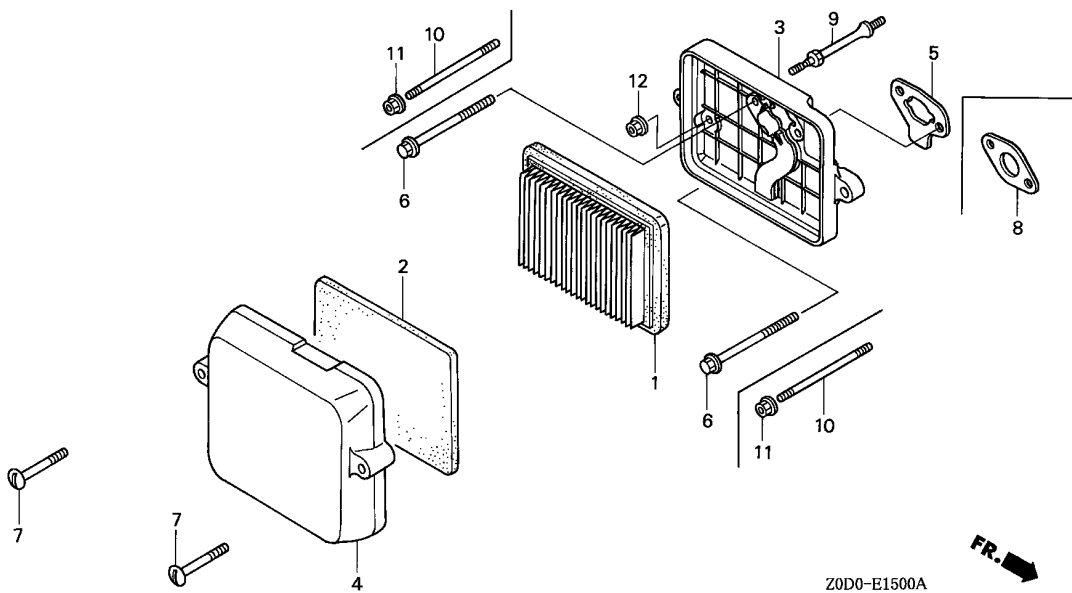


Ref. No.	L.O.N.	(Relative ref. Number) Description	F.R.T.
1	3121B8	ELEMENT, AIR CLEANER .....	0.1
2	3121C1	FILTER, OUTER .....	0.1
3	3121A5	CASE, AIR CLEANER .....	0.1
5	3121K0	PACKING, AIR INTAKE JOINT ....	0.1

Ref. No.	Part No.	Description	Reqd. QTY	Serial No.	Parts catalogue code
			GX 100		
1	17211-ZL8-003	ELEMENT, AIR CLEANER .....	1	-----	BE14, BE14/A, KR, KR/A, KR/B, KRA2, KRA2/A, KRA2/B, KRB, KRB/A, KRB/B, KRBD, KRBD/A, KRB1, KRB1/A, KRB4, KRB4/A, KRB4/B, KRE, KRE/A, KRE/B, KRE4, KRE4/A, KRE4/B, KRF2, KRM, KRS, KRS/A, KRS2, KRW, KRW2, KRW2/A, KR4, KR4/A, KR4/B, QAD, QAD/A, QA2, QA2/A, QA2/B, QA26, QA26/A, QA26/B, QBE, QD, QD/A, QD/B, QE, QE/A, QE/B, QE14, QE14/A, SA2, SA2/A, SD, SD/A, SD/B, SE, SE/A, SE/B, SE14, SE14/A, SE3, SE3/A, SJ, SJ/A, SJ/B, SJH, SJH/A, SMG, SMG/A, VA2, VA2/A, VA2/B, VEA, VEG, VE3, VE3/A, VE4, VE4/A, VE4/B, VSW, VSW/A, VSW4, WD, WD/A, WD/B, WJ, WJ/A, WJ/B
	17211-ZL8-013	.....	1	-----	KRBM, KRMB, KRMG, QXU2, VEA, VEG
2	17218-Z0D-000	FILTER, OUTER .....	1	-----	BE14, BE14/A, KR, KR/A, KR/B, KRA2, KRA2/A, KRA2/B, KRBD, KRBD/A, KRE, KRE/A, KRE/B, KRE4, KRE4/A, KRE4/B, KRM, KRMB, KRS, KRS/A, KRW, KR4, KR4/A, KR4/B, QAD, QAD/A, QA2, QA2/A, QA2/B, QA26, QA26/A, QA26/B, QBE, QD, QD/A, QD/B, QE, QE/A, QE/B, QE14, QE14/A, QXU2, SA2, SA2/A, SD, SD/A, SD/B, SE, SE/A, SE/B, SE14, SE14/A, SE3, SE3/A, SJ, SJ/A, SJ/B, SJH, SJH/A, SMG, SMG/A, VA2, VA2/A, VA2/B, VEA, VEG, VE3, VE3/A, VE4, VE4/A, VE4/B, VSW, VSW/A, VSW4, WD, WD/A, WD/B, WJ, WJ/A, WJ/B
3	17220-Z0D-000	CASE COMP., AIR CLEANER .....	1	-----	QAD, QAD/A, QA2, QA2/A, QA2/B, QA26, QA26/A, QA26/B, QD, QD/A, QD/B, QE, QE/A, QE/B, QXU2, SA2, SA2/A, SD, SD/A, SD/B, SE, SE/A, SE/B, SJ, SJ/A, SJ/B, SJH, SJH/A, SMG, SMG/A, VA2, VA2/A, VA2/B, VE4, VE4/A, VE4/B, VSW, VSW/A, VSW4, WD, WD/A, WD/B, WJ, WJ/A, WJ/B
	17220-Z0D-V00	.....	1	-----	KRBM, KRE4, KRE4/A, KRE4/B, KRF2, KRM, KRMB, KRMG, KRW, KR4, KR4/A, KR4/B
	17220-Z0D-V20	.....	1	-----	BE14, BE14/A, KR, KR/A, KR/B, KRA2, KRA2/A, KRA2/B, KRB, KRB/A, KRB/B, KRBD, KRBD/A, KRB1, KRB1/A, KRB4, KRB4/A, KRB4/B, KRE, KRE/A, KRE/B, KRS, KRS/A, KRS2, KRW2, KRW2/A, QBE, QE14, QE14/A, SE14, SE14/A, SE3, SE3/A, VEA, VEG, VE3, VE3/A
4	17231-Z0D-000	COVER, AIR CLEANER .....	1	-----	BE14, BE14/A, KR, KR/A, KR/B, KRA2, KRA2/A, KRA2/B, KRBD, KRBD/A, KRE, KRE/A, KRE/B, KRE4, KRE4/A, KRE4/B, KRM, KRMB, KRS, KRS/A, KRW, KR4, KR4/A, KR4/B, QAD, QAD/A, QA2, QA2/A, QA2/B, QA26, QA26/A, QA26/B, QBE, QD, QD/A, QD/B, QE, QE/A, QE/B, QE14, QE14/A, QXU2, SA2, SA2/A, SD, SD/A, SD/B, SE, SE/A, SE/B, SE14, SE14/A, SE3, SE3/A, SJ, SJ/A, SJ/B, SJH, SJH/A, SMG, SMG/A, VA2, VA2/A, VA2/B, VEA, VEG, VE3, VE3/A, VE4, VE4/A, VE4/B, VSW, VSW/A, VSW4, WD, WD/A, WD/B, WJ, WJ/A, WJ/B
	17231-Z0D-V60	.....	1	-----	KRB, KRB4
	17231-Z0D-V61	.....	1	-----	KRB/A, KRB/B, KRBM, KRB1, KRB1/A, KRB4/A, KRB4/B, KRF2, KRMG, KRS2, KRW2, KRW2/A

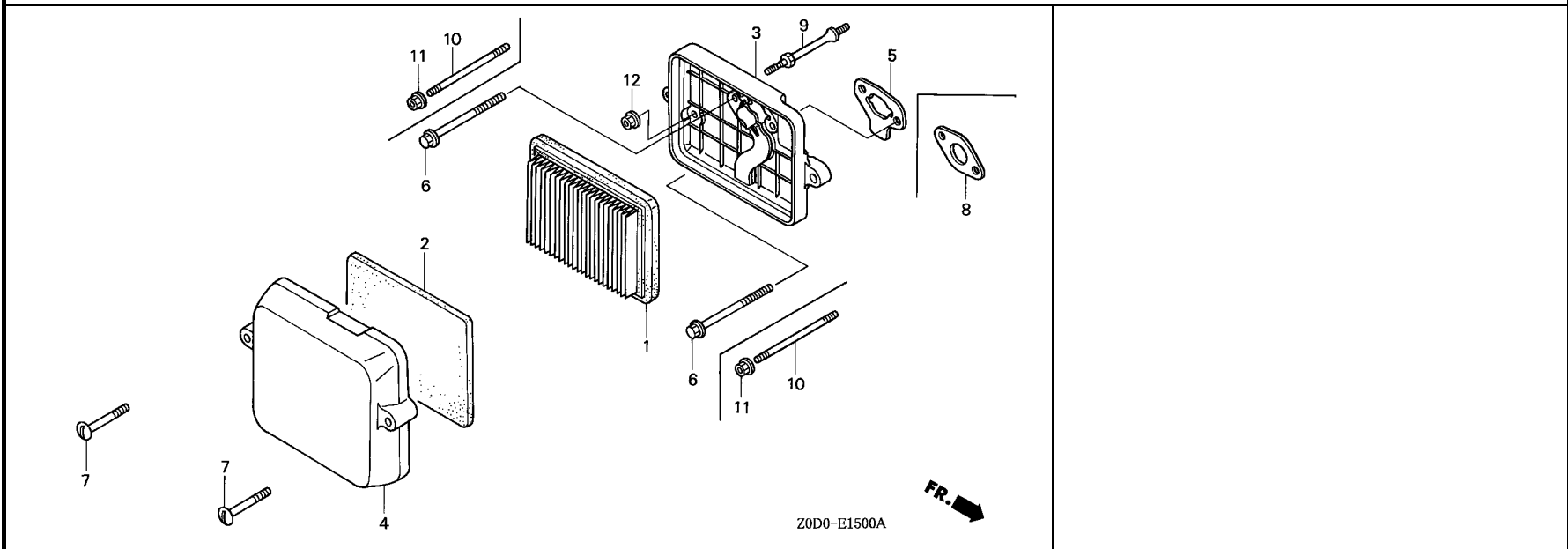




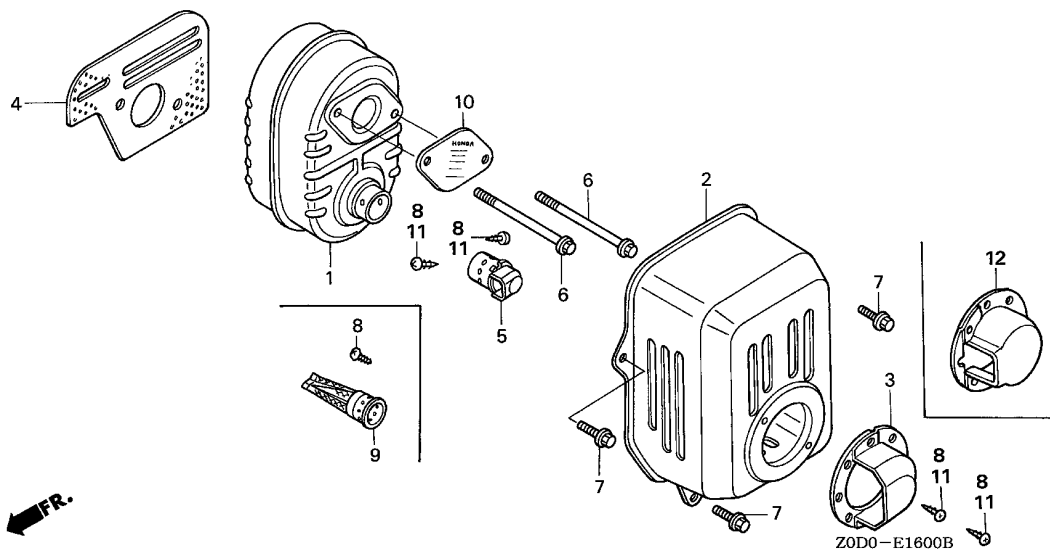


Z0D0-E1500A

Ref. No.	Part No.	Description	Reqd. QTY		Serial No.	Parts catalogue code
			GX	100		
5	17274-ZT3-000	PACKING, AIR INTAKE JOINT	1	---	---	BE14, BE14/A, QAD, QAD/A, QA2, QA2/A, QA2/B, QA26, QA26/A, QA26/B, QBE, QD, QD/A, QD/B, QE, QE/A, QE/B, QE14, QE14/A, QXU2, SA2, SA2/A, SD, SD/A, SD/B, SE, SE/A, SE/B, SE14, SE14/A, SE3, SE3/A, SJ, SJ/A, SJ/B, SJH, SJH/A, SMG, SMG/A, VA2, VA2/A, VA2/B, VEA, VEG, VE3, VE3/A, VE4, VE4/A, VE4/B, VSW, VSW/A, VSW4, WD, WD/A, WD/B, WJ, WJ/A, WJ/B, KR, KR/A, KR/B, KRA2, KRA2/A, KRA2/B, KRB, KRB/A, KRB/B, KRBD, KRBD/A, KRB1, KRB1/A, KRB4, KRB4/A, KRB4/B, KRE, KRE/A, KRE/B, KRS, KRS/A, KRS2, KRW2, KRW2/A
	17228-Z0D-V21	PACKING, AIR CLEANER	1	---	---	
6	90004-Z0D-000	BOLT, FLANGE, 5X77(CT200)	2	---	---	BE14, BE14/A, QAD, QAD/A, QA2, QA2/A, QA2/B, QA26, QA26/A, QA26/B, QBE, QD, QD/A, QD/B, QE, QE/A, QE/B, QE14, QE14/A, QXU2, SA2, SA2/A, SD, SD/A, SD/B, SE, SE/A, SE/B, SE14, SE14/A, SE3, SE3/A, SJ, SJ/A, SJ/B, SJH, SJH/A, SMG, SMG/A, VA2, VA2/A, VA2/B, VEA, VEG, VE3, VE3/A, VE4, VE4/A, VE4/B, VSW, VSW/A, VSW4, WD, WD/A, WD/B, WJ, WJ/A, WJ/B
7	90011-Z0D-000	BOLT, AIR CLEANER COVER	2	---	---	BE14, BE14/A, KR, KR/A, KR/B, KRA2, KRA2/A, KRA2/B, KRB, KRB/A, KRB/B, KRBD, KRBD/A, KRBM, KRB1, KRB1/A, KRB4, KRB4/A, KRB4/B, KRE, KRE/A, KRE/B, KRE4, KRE4/A, KRE4/B, KRF2, KRM, KRMB, KRMG, KRS, KRS/A, KRS2, KRW, KRW2, KRW2/A, KR4, KR4/A, KR4/B, QAD, QAD/A, QA2, QA2/A, QA2/B, QA26, QA26/A, QA26/B, QBE, QD, QD/A, QD/B, QE, QE/A, QE/B, QE14, QE14/A, QXU2, SA2, SA2/A, SD, SD/A, SD/B, SE, SE/A, SE/B, SE14, SE14/A, SE3, SE3/A, SJ, SJ/A, SJ/B, SJH, SJH/A, SMG, SMG/A, VA2, VA2/A, VA2/B, VEA, VEG, VE3, VE3/A, VE4, VE4/A, VE4/B, VSW, VSW/A, VSW4, WD, WD/A, WD/B, WJ, WJ/A, WJ/B
8	17228-Z0D-V01	PACKING, AIR CLEANER	1	---	---	KRAM, KRAM/A, KRBM, KRE4, KRE4/A, KRE4/B, KRF2, KRK, KRK/A, KRK/B, KRM, KRMB, KRMG, KRW, KR4, KR4/A, KR4/B
9	90041-Z0D-V00	BOLT, STUD	1	---	---	KRBM, KRE4, KRE4/A, KRE4/B, KRF2, KRM, KRMB, KRMG, KRW, KR4, KR4/A, KR4/B
	90041-Z0D-V20		1	---	---	BE14, BE14/A, KR, KR/A, KR/B, KRA2, KRA2/A, KRA2/B, KRB, KRB/A, KRB/B, KRBD, KRBD/A, KRB1, KRB1/A, KRB4, KRB4/A, KRB4/B, KRE, KRE/A, KRE/B, KRS, KRS/A, KRS2, KRW2, KRW2/A
10	90042-Z0D-V00	BOLT, STUD, 5X85(CT200)	2	---	---	QBE, QE14, QE14/A, SE14, SE14/A, SE3, SE3/A, VEA, VEG, VE3, VE3/A
	90042-Z0D-V20	BOLT, STUD, 5X75(CT200)	2	---	---	KRBM, KRE4, KRE4/A, KRE4/B, KRF2, KRM, KRMB, KRMG, KRW, KR4, KR4/A, KR4/B
	90042-Z0D-V70	BOLT, STUD, 5X91(CT200)	2	---	---	KR, KR/A, KR/B, KRA2, KRA2/A, KRA2/B, KRB, KRB/A, KRB/B, KRBD, KRBD/A, KRB1, KRB1/A, KRB4, KRB4/A, KRB4/B, KRE, KRE/A, KRE/B, KRS, KRS/A, KRS2, KRW2, KRW2/A
						KRAM, KRAM/A, KRK, KRK/A, KRK/B

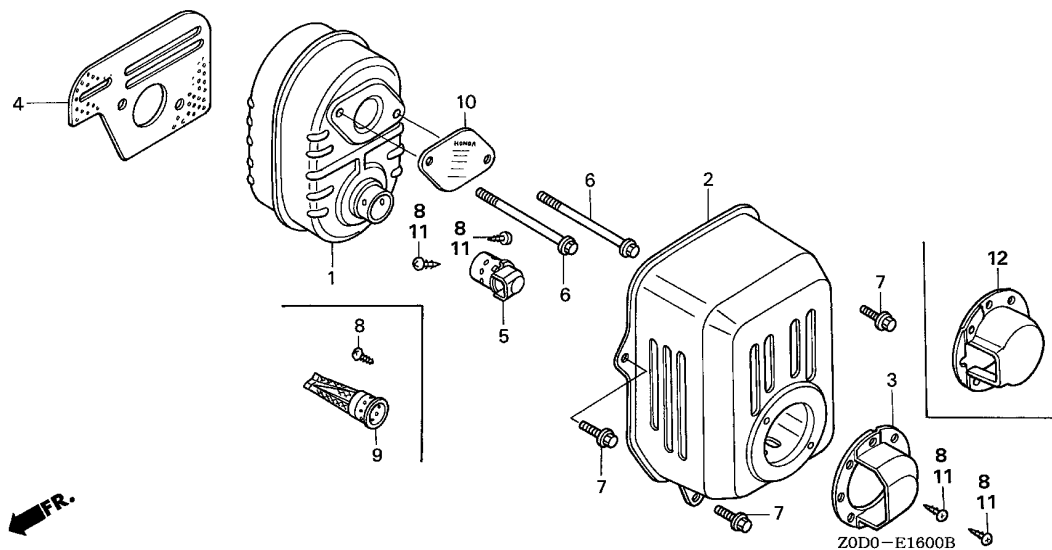


Ref. No.	Part No.	Description	Reqd. QTY		Serial No.	Parts catalogue code
			GX	100		
11	94050-05000	NUT, FLANGE, 5MM .....	2	-----	-----	KR, KR/A, KR/B, KRAM, KRAM/A, KRA2, KRA2/A, KRA2/B, KRB, KRB/A, KRB/B, KRBD, KRBD/A, KRBM, KRB1, KRB1/A, KRB4, KRB4/A, KRB4/B, KRE, KRE/A, KRE/B, KRE4, KRE4/A, KRE4/B, KRF2, KRG, KRG/A, KRG/B, KRM, KRMB, KRMG, KRS, KRS/A, KRS2, KRW, KRW2, KRW2/A, KR4, KR4/A, KR4/B
12	94050-06000	NUT, FLANGE, 6MM .....	1	-----	-----	BE14, BE14/A, KR, KR/A, KR/B, KRA2, KRA2/A, KRA2/B, KRB, KRB/A, KRB/B, KRBD, KRBD/A, KRBM, KRB1, KRB1/A, KRB4, KRB4/A, KRB4/B, KRE, KRE/A, KRE/B, KRE4, KRE4/A, KRE4/B, KRF2, KRM, KRMB, KRMG, KRS, KRS/A, KRS2, KRW, KRW2, KRW2/A, KR4, KR4/A, KR4/B, QBE, QE14, QE14/A, SE14, SE14/A, SE3, SE3/A, VEA, VEG, VE3, VE3/A



Ref. No.	L.O.N.	(Relative ref. Number) Description	F.R.T.
1	3131C5	MUFFLER, EXHAUST .....	0.2
2	3131D6	PROTECTOR, EXHAUST MUFFLER ...	0.1
4	3131B4	GASKET, EXHAUST MUFFLER .....	0.2
5	3131A8	DEFLECTOR, EXHAUST MUFFLER ...	0.2
9	3131A1	ARRESTER, SPARK .....	0.2

Ref. No.	Part No.	Description	Reqd. QTY	Serial No.	Parts catalogue code
			GX 100		
1	18310-ZM0-000	MUFFLER COMP. ....	1	-----	BE14, BE14/A, QAD, QAD/A, QA2, QA2/A, QA2/B, QA26, QA26/A, QA26/B, QBE, QD, QD/A, QD/B, QE, QE/A, QE/B, QE14, QE14/A, QXU2, SA2, SA2/A, SD, SD/A, SD/B, SE, SE/A, SE/B, SE14, SE14/A, SE3, SE3/A, SJ, SJ/A, SJ/B, SJH, SJH/A, SMG, SMG/A, VA2, VA2/A, VA2/B, VEA, VE3, VE3/A, VE4, VE4/A, VE4/B, WD, WD/A, WD/B, WJ, WJ/A, WJ/B
2	18320-ZOM-780 18321-ZL8-000	PROTECTOR COMP., MUFFLER .... PROTECTOR, MUFFLER .....	1 1	----- -----	BE14, BE14/A, QBE, QE14, QE14/A, SE14, SE14/A, SE3, SE3/A, VEA, VE3, VE3/A QAD, QAD/A, QA2, QA2/A, QA2/B, QA26, QA26/A, QA26/B, QD, QD/A, QD/B, QE, QE/A, QE/B, QXU2, SA2, SA2/A, SD, SD/A, SD/B, SE, SE/A, SE/B, SJ, SJ/A, SJ/B, SJH, SJH/A, SMG, SMG/A, VA2, VA2/A, VA2/B, VEA, VE4, VE4/A, VE4/B, WD, WD/A, WD/B, WJ, WJ/A, WJ/B
3	18348-ZL8-000	CAP, MUFFLER .....	1 (1)	-----	BE14, BE14/A, QAD, QAD/A, SA2/A, SE3, SE3/A, VE3, VE3/A QA2, QA2/A, QA2/B, QA26, QA26/A, QA26/B, QD, QD/A, QD/B, QE, QE/A, QE/B, QXU2, SA2, SD, SD/A, SD/B, SE, SE/A, SE/B, SJ, SJ/A, SJ/B, SJH, SJH/A, SMG, SMG/A, VA2, VA2/A, VA2/B, VE4, VE4/A, VE4/B, WD, WD/A, WD/B, WJ, WJ/A, WJ/B
4	18381-ZOD-000	GASKET, MUFFLER .....	1	-----	BE14, BE14/A, QAD, QAD/A, QA2, QA2/A, QA2/B, QA26, QA26/A, QA26/B, QBE, QD, QD/A, QD/B, QE, QE/A, QE/B, QE14, QE14/A, QXU2, SA2, SA2/A, SD, SD/A, SD/B, SE, SE/A, SE/B, SE14, SE14/A, SE3, SE3/A, SJ, SJ/A, SJ/B, SJH, SJH/A, SMG, SMG/A, VA2, VA2/A, VA2/B, VEA, VE3, VE3/A, VE4, VE4/A, VE4/B, WD, WD/A, WD/B, WJ, WJ/A, WJ/B
5	18430-ZL8-000	DEFLECTOR COMP., MUFFLER ....	1 (1)	-----	BE14, BE14/A, QAD, QAD/A, SA2/A, SE3, SE3/A, SJH, SJH/A, VE3, VE3/A QA2, QA2/A, QA2/B, QA26, QA26/A, QA26/B, QD, QD/A, QD/B, QE, QE/A, QE/B, QXU2, SA2, SD, SD/A, SD/B, SE, SE/A, SE/B, SJ, SJ/A, SJ/B, SJH, SJH/A, SMG, SMG/A, VA2, VA2/A, VA2/B, VE4, VE4/A, VE4/B, WD, WD/A, WD/B, WJ, WJ/A, WJ/B
6	90004-ZL8-000	BOLT, FLANGE, 6X79(CT200) ...	2	-----	BE14, BE14/A, QAD, QAD/A, QA2, QA2/A, QA2/B, QA26, QA26/A, QA26/B, QBE, QD, QD/A, QD/B, QE, QE/A, QE/B, QE14, QE14/A, QXU2, SA2, SA2/A, SD, SD/A, SD/B, SE, SE/A, SE/B, SE14, SE14/A, SE3, SE3/A, SJ, SJ/A, SJ/B, SJH, SJH/A, SMG, SMG/A, VA2, VA2/A, VA2/B, VEA, VE3, VE3/A, VE4, VE4/A, VE4/B, WD, WD/A, WD/B, WJ, WJ/A, WJ/B
7	90014-952-000	BOLT, FLANGE, 6X14(CT200) ...	3	-----	BE14, BE14/A, QAD, QAD/A, QA2, QA2/A, QA2/B, QA26, QA26/A, QA26/B, QBE, QD, QD/A, QD/B, QE, QE/A, QE/B, QE14, QE14/A, QXU2, SA2, SA2/A, SD, SD/A, SD/B, SE, SE/A, SE/B, SE14, SE14/A, SE3, SE3/A, SJ, SJ/A, SJ/B, SJH, SJH/A, SMG, SMG/A, VA2, VA2/A, VA2/B, VEA, VE3, VE3/A, VE4, VE4/A, VE4/B, WD, WD/A, WD/B, WJ, WJ/A, WJ/B



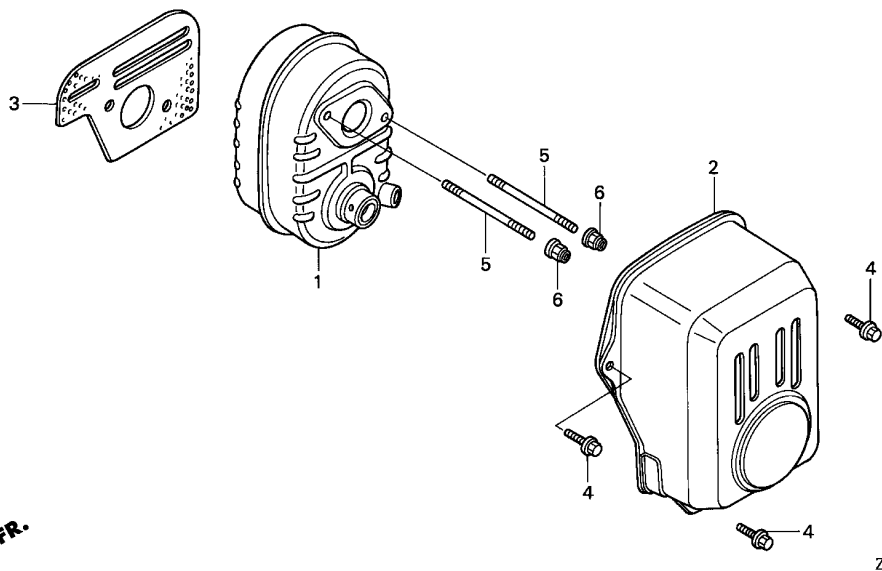
FR.

Ref. No.	Part No.	Description	Reqd. QTY		Serial No.	Parts catalogue code
			GX	100		
8	90055-ZE1-000	SCREW, TAPPING, 4X6	(4)		QA26,QA26/A,QA26/B,QD,QD/A,QD/B,QE,QE/A,QE/B,SD,SD/A,SD/B,SE,SE/A,SE/B,SJ,SJ/A,SJ/B,SMG,SMG/A,VE4,VE4/A,VE4/B,WD,WD/A,WD/B,WJ,WJ/A,WJ/B	
			(5)		QA2,QA2/A,QA2/B,QXU2,SA2,VA2,VA2/A,VA2/B	
			(1)		QAD,QAD/A,QBE,SA2/A,SE3,SE3/A,VEA,VE3,VE3/A	
9	18350-ZL8-000	ARRESTER COMP., SPARK	(1)		QAD,QAD/A,QA2,QA2/A,QA2/B,QBE,QXU2,SA2,SA2/A,SE3,SE3/A,VA2,VA2/A,VA2/B	
10	18356-ZL8-000	PLATE, ARRESTER NUMBER	(1)		VEA,VE3,VE3/A	
					QAD,QAD/A,QA2,QA2/A,QA2/B,QBE,QXU2,SA2,SA2/A,VA2,VA2/A,VA2/B	
11	90055-ZE1-000	SCREW, TAPPING, 4X6	2		SJH,SJH/A	
			4		BE14,BE14/A,QAD,QAD/A,SA2/A,SE3,SE3/A,VE3,VE3/A	
12	18331-883-810	CAP, MUFFLER	1		VEA	

2

E-16-1

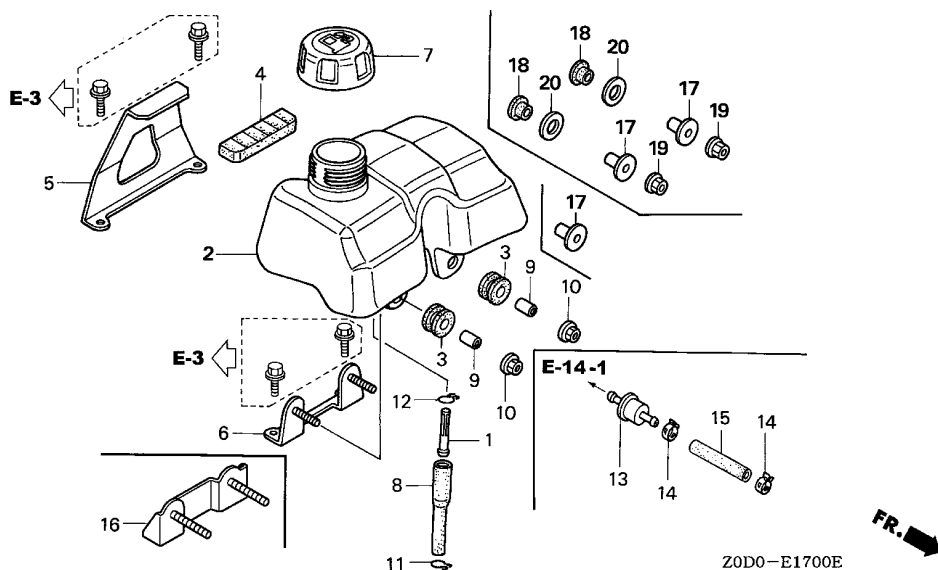
MUFFLER(RAMMER)



Ref. No.	L.O.N.	(Relative ref. Number) Description	F.R.T.
1	3131C5	MUFFLER, EXHAUST .....	0.2
2	3131D6	PROTECTOR, EXHAUST MUFFLER ...	0.1
3	3131B4	GASKET, EXHAUST MUFFLER .....	0.2

Ref. No.	Part No.	Description	Reqd. QTY		Serial No.	Parts catalogue code
			GX	100		
1	18310-Z0D-V00 18310-Z0D-V20	MUFFLER COMP. ....	1	-----	-----	KRE4,KRE4/A,KRE4/B,KRMB,KR4,KR4/A,KR4/B KR,KR/A,KR/B,KRAM,KRAM/A,KRA2,KRA2/A,KRA2/B,KRB,KRB/A,KRB/B,KRBD,KRBD/A KRBM,KRB1,KRB1/A,KRB4,KRB4/A,KRB4/B,KRE,KRE/A,KRE/B,KRF2,KRG,KRG/A,KRG/B KRM,KRMG,KRS,KRS/A,KRS2,KRW,KRW2,KRW2/A,VEG
2	18321-Z0D-V00 18321-Z0D-V20	PROTECTOR, MUFFLER .....	1	-----	-----	KRE4,KRE4/A,KRE4/B,KRMB,KR4,KR4/A,KR4/B KR,KR/A,KR/B,KRAM,KRAM/A,KRA2,KRA2/A,KRA2/B,KRB,KRB/A,KRB/B,KRBD,KRBD/A KRBM,KRB1,KRB1/A,KRB4,KRB4/A,KRB4/B,KRE,KRE/A,KRE/B,KRF2,KRG,KRG/A,KRG/B KRM,KRMG,KRS,KRS/A,KRS2,KRW,KRW2,KRW2/A,VEG
3	18381-Z0D-000	GASKET, MUFFLER .....	1	-----	-----	KR,KR/A,KR/B,KRAM,KRAM/A,KRA2,KRA2/A,KRA2/B,KRB,KRB/A,KRB/B,KRBD,KRBD/A KRBM,KRB1,KRB1/A,KRB4,KRB4/A,KRB4/B,KRE,KRE/A,KRE/B,KRE4,KRE4/A,KRE4/B KRF2,KRG,KRG/A,KRG/B,KRM,KRMB,KRMG,KRS,KRS/A,KRS2,KRW,KRW2,KRW2/A,KR4 KR4/A,KR4/B,VEG,VSW,VSW/A
4	90014-952-000	BOLT, FLANGE, 6X14(CT200) ...	3	-----	-----	KR,KR/A,KR/B,KRAM,KRAM/A,KRA2,KRA2/A,KRA2/B,KRB,KRB/A,KRB/B,KRBD,KRBD/A KRBM,KRB1,KRB1/A,KRB4,KRB4/A,KRB4/B,KRE,KRE/A,KRE/B,KRE4,KRE4/A,KRE4/B KRF2,KRG,KRG/A,KRG/B,KRM,KRMB,KRMG,KRS,KRS/A,KRS2,KRW,KRW2,KRW2/A,KR4 KR4/A,KR4/B,VEG,VSW4
5	90013-ZE6-710 90048-Z0D-V00	BOLT, STUD, 6X90 .....	2	-----	-----	VSW,VSW/A,VSW4 KR,KR/A,KR/B,KRAM,KRAM/A,KRA2,KRA2/A,KRA2/B,KRB,KRB/A,KRB/B,KRBD,KRBD/A KRBM,KRB1,KRB1/A,KRB4,KRB4/A,KRB4/B,KRE,KRE/A,KRE/B,KRE4,KRE4/A,KRE4/B KRF2,KRG,KRG/A,KRG/B,KRM,KRMB,KRMG,KRS,KRS/A,KRS2,KRW,KRW2,KRW2/A,KR4 KR4/A,KR4/B
6	90343-ZE6-000	NUT, SELF-LOCK, 6MM .....	2	-----	-----	KR,KR/A,KR/B,KRAM,KRAM/A,KRA2,KRA2/A,KRA2/B,KRB,KRB/A,KRB/B,KRBD,KRBD/A KRBM,KRB1,KRB1/A,KRB4,KRB4/A,KRB4/B,KRE,KRE/A,KRE/B,KRE4,KRE4/A,KRE4/B KRF2,KRG,KRG/A,KRG/B,KRM,KRMB,KRMG,KRS,KRS/A,KRS2,KRW,KRW2,KRW2/A,KR4 KR4/A,KR4/B,VSW,VSW/A

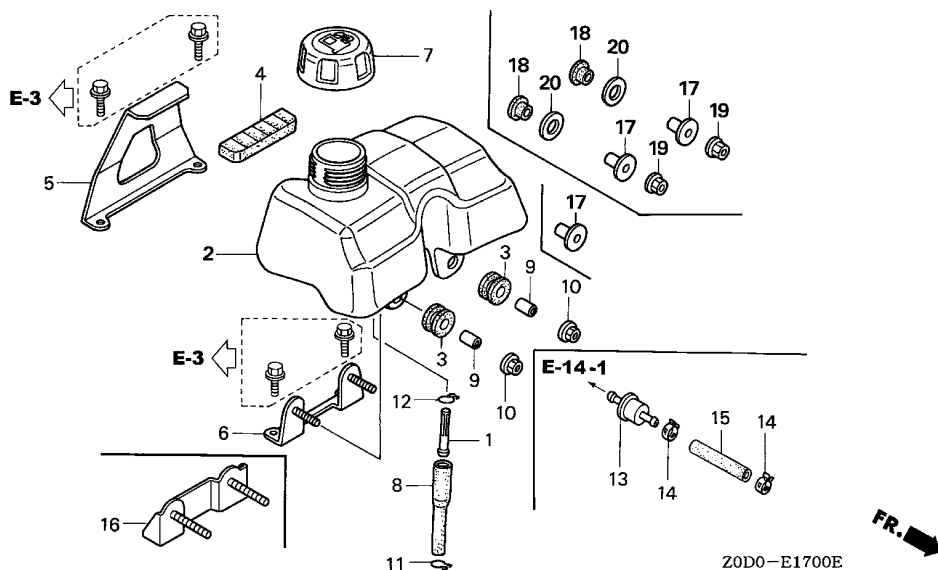
2



Ref. No.	L.O.N.	(Relative ref. Number) Description	F.R.T.
1		(13)	
1	3101H8	STRAINER, FUEL .....	0.1
2	3101H7	TANK, FUEL .....	0.1
3		(18)	
3	3101M3	RUBBER A, TANK MOUNTING .....	0.1
		.NOTE: Same time for two units	
4	3101M0	RUBBER B, TANK MOUNTING .....	0.1
5	3101N3	STAY A, FUEL TANK .....	0.1
6		(16)	
	3111J6	STAY B, FUEL TANK .....	0.1
8	3101F6	TUBE, FUEL .....	0.1

Ref. No.	Part No.	Description	Reqd. QTY		Serial No.	Parts catalogue code
			GX	100		
1	16952-ZE6-000	STRAINER, FUEL .....	1			BE14, BE14/A, QAD, QAD/A, QA2, QA2/A, QA2/B, QA26, QA26/A, QA26/B, QBE, QD, QD/A, QD/B, QE, QE/A, QE/B, QE14, QE14/A, QXU2, SA2, SA2/A, SD, SD/A, SD/B, SE, SE/A, SE/B, SE14, SE14/A, SE3, SE3/A, SJ, SJ/A, SJ/B, SJH, SJH/A, VA2, VA2/A, VA2/B, VEA, VEG, VE3, VE3/A, VE4, VE4/A, VE4/B, VSW, VSW/A, WD, WD/A, WD/B, WJ, WJ/A, WJ/B
2	17511-ZM7-000	TANK, FUEL .....	1			BE14, QAD, QA2, QA2/A, QA26, QA26/A, QD, QD/A, QE, QE/A, QE14, SA2, SD, SD/A, SE, SE/A, SE14, SE3, SJ, SJ/A, SJH, VA2, VA2/A, VE3, VE4, VE4/A, WD, WD/A, WJ, WJ/A
	17511-ZM7-010	.....	1		1418806	BE14/A, QAD/A, QA2/B, QA26/B, QBE, QD/B, QE/B, QE14/A, SA2/A, SD/B, SE/B, SE14/A, SE3/A, SJ/B, SJH/A, VA2/B, VE3/A, VE4/B, WD/B, WJ/B
			1		1418807	QXU2, VEA, VEG
3	17532-ZM7-000	RUBBER A, TANK MOUNTING .....	2			BE14/A, QAD/A, QA2/B, QA26/B, QBE, QD/B, QE/B, QE14/A, SA2/A, SD/B, SE/B, SE14/A, SE3/A, SJ/B, SJH/A, VA2/B, VE3/A, VE4/B, WD/B, WJ/B
4	17533-ZM7-000	RUBBER B, TANK MOUNTING .....	2		1371830	BE14, QAD, QAD/A, QA2, QA2/A, QA2/B, QA26, QA26/A, QA26/B, QD, QD/A, QD/B, QE, QE/A, QE/B, QE14, QXU2, SA2, SA2/A, SD, SD/A, SD/B, SE, SE/A, SE/B, SE14, SE3, SJ, SJ/A, SJ/B, SJH, SJH/A, VA2, VA2/A, VA2/B, VE3, VE4, VE4/A, VE4/B, WD, WD/A, WD/B, WJ, WJ/A, WJ/B
			1		1371830	BE14/A, QBE, QE14/A, SE14/A, SE3/A, VE3/A
	17533-Z0D-T00	.....	2			BE14, QAD, QAD/A, QA2, QA2/A, QA2/B, QA26, QA26/A, QA26/B, QD, QD/A, QD/B, QE, QE/A, QE/B, QE14, QXU2, SA2, SA2/A, SD, SD/A, SD/B, SE, SE/A, SE/B, SE14, SE3, SJ, SJ/A, SJ/B, SJH, SJH/A, VA2, VA2/A, VA2/B, VE3, VE4, VE4/A, VE4/B, WD, WD/A, WD/B, WJ, WJ/A, WJ/B
			1		1371831	BE14/A, QBE, QE14/A, SE14/A, SE3/A, VE3/A
			1			VSW, VSW/A
			1			VEA, VEG
5	17561-Z0D-000	STAY A, FUEL TANK .....	1			BE14, BE14/A, QAD, QAD/A, QA2, QA2/A, QA2/B, QA26, QA26/A, QA26/B, QBE, QD, QD/A, QD/B, QE, QE/A, QE/B, QE14, QE14/A, QXU2, SA2, SA2/A, SD, SD/A, SD/B, SE, SE/A, SE/B, SE14, SE3, SJ, SJ/A, SJ/B, SE14/A, SE3, SE3/A, SJ, SJ/A, SJ/B, SJH, SJH/A, VA2, VA2/A, VA2/B, VEA, VEG, VE3, VE3/A, VE4, VE4/A, VE4/B, WD, WD/A, WD/B, WJ, WJ/A, WJ/B
6	17566-Z0D-000	STAY B, FUEL TANK .....	1			QA2, QA26, QD, QE, SD, SE, SJ, VA2, VE4, WD, WJ





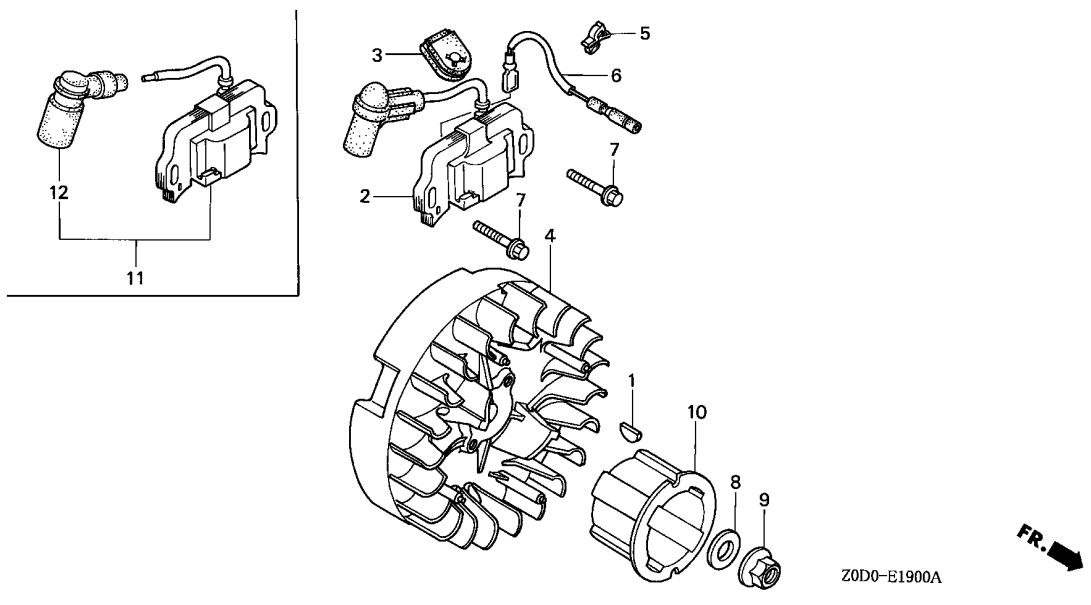
Z0D0-E1700E

Ref. No.	Part No.	Description	Reqd. QTY		Serial No.	Parts catalogue code
			GX	100		
(6)	17566-Z0D-010	STAY B, FUEL TANK	1	-----	-----	QAD,QAD/A,QA2/A,QA2/B,QA26/A,QA26/B,QD/A,QD/B,QE/A,QE/B,QXU2,SA2,SA2/A,SD/A,SD/B,SE/A,SE/B,SJ/A,SJ/B,SJH,SJH/A,VA2/A,VA2/B,VE4/A,VE4/B,WD/A,WD/B,WJ/A,WJ/B
	7	17620-ZL8-013	CAP ASSY., FUEL TANK	1	-----	BE14,BE14/A,QAD,QAD/A,QA2,QA2/A,QA2/B,QA26,QA26/A,QA26/B,QBE,QD,QD/A,QD/B,QE,QE/A,QE/B,QE14,QE14/A,QXU2,SA2,SA2/A,SD,SD/A,SD/B,SE,SE/A,SE/B,SE14,SE14/A,SE3,SE3/A,SJ,SJ/A,SJ/B,SJH,SJH/A,VA2,VA2/A,VA2/B,VEA,VEG,VE3,VE3/A,VE4,VE4/A,VE4/B,VSW,VSW/A,VSW4,WD,WD/A,WD/B,WJ,WJ/A,WJ/B
	8	17701-Z0D-000	TUBE, FUEL	1	-----	BE14,BE14/A,QAD,QAD/A,QA2,QA2/A,QA2/B,QA26,QA26/A,QA26/B,QBE,QD,QD/A,QD/B,QE,QE/A,QE/B,QE14,QE14/A,QXU2,SA2,SA2/A,SD,SD/A,SD/B,SE,SE/A,SE/B,SE14,SE14/A,SE3,SE3/A,SJ,SJ/A,SJ/B,SJH,SJH/A,VA2,VA2/A,VA2/B,VEA,VEG,VE3,VE3/A,VE4,VE4/A,VE4/B,WD,WD/A,WD/B,WJ,WJ/A,WJ/B
		17701-Z0D-U00	TUBE, FUEL TANK	1	-----	VSW,VSW/A
	9	30507-441-000	COLLAR, IGNITION COIL SETTING	2	-----	QAD,QAD/A,QA2,QA2/A,QA2/B,QA26,QA26/A,QA26/B,QD,QD/A,QD/B,QE,QE/A,QE/B,QXU2,SA2,SA2/A,SD,SD/A,SD/B,SE,SE/A,SE/B,SJ,SJ/A,SJ/B,SJH,SJH/A,VA2,VA2/A,VA2/B,VE4,VE4/A,VE4/B,WD,WD/A,WD/B,WJ,WJ/A,WJ/B
	10	90201-ZM0-000	NUT, FLANGE, 6MM	2	-----	BE14,QAD,QAD/A,QA2,QA2/A,QA2/B,QA26,QA26/A,QA26/B,QD,QD/A,QD/B,QE,QE/A,QE/B,QE14,QXU2,SA2,SA2/A,SD,SD/A,SD/B,SE,SE/A,SE/B,SE14,SE3,SJ,SJ/A,SJ/B,SJH,SJH/A,VA2,VA2/A,VA2/B,VE3,VE4,VE4/A,VE4/B,WD,WD/A,WD/B,WJ,WJ/A,WJ/B
				2	1371830	BE14/A,QBE,QE14/A,SE14/A,SE3/A,VE3/A
	11	95002-02080	CLIP, TUBE (B8)	1	-----	BE14,BE14/A,QAD,QAD/A,QA2,QA2/A,QA2/B,QA26,QA26/A,QA26/B,QBE,QD,QD/A,QD/B,QE,QE/A,QE/B,QE14,QE14/A,QXU2,SA2,SA2/A,SD,SD/A,SD/B,SE,SE/A,SE/B,SE14,SE14/A,SE3,SE3/A,SJ,SJ/A,SJ/B,SJH,SJH/A,VA2,VA2/A,VA2/B,VEA,VEG,VE3,VE3/A,VE4,VE4/A,VE4/B,VSW,VSW/A,WD,WD/A,WD/B,WJ,WJ/A,WJ/B
	12	95002-02120	CLIP, TUBE (B12)	1	-----	QA2,QA26,QD,QE,SD,SE,SJ,VA2,VE4,WD,WJ
		95002-70000	CLIP, TUBE (C11)	1	-----	VSW,VSW/A,VSW4

Ref. No.	Part No.	Description	Reqd. QTY		Serial No.	Parts catalogue code
			GX	100		
12)	95002-02100	CLIP, TUBE (B10) .....	1	-----	-----	BE14, BE14/A, QAD, QAD/A, QA2/A, QA2/B, QA26/A, QA26/B, QBE, QD/A, QD/B, QE/A, QE/B, QE14, QE14/A, QXU2, SA2, SA2/A, SD/A, SD/B, SE/A, SE/B, SE14, SE14/A, SE3, SE3/A, SJ/A, SJ/B, SJH, SJH/A, VA2/A, VA2/B, VEA, VEG, VE3, VE3/A, VE4/A, VE4/B, WD/A, WD/B, WJ/A, WJ/B
13	16910-GB2-005	STRAINER COMP., FUEL .....	1	-----	-----	KR, KR/A, KR/B, KR/B, KRBD, KRBD/A, KRBM, KRB1, KRB1/A, KRB4/B, KRE, KRE/A, KRE/B, KRM, KRS, KRS/A
	16910-ZE8-015	.....	1	1144522	-----	KRB/A, KRB4/A
14	95002-40850-08	CLAMP, TUBE (D8.5) .....	2	-----	-----	KRS2
	95002-40850-08	.....	2	1144522	-----	KR, KR/A, KR/B, KR/B, KRBD, KRBD/A, KRBM, KRB1, KRB1/A, KRB4/B, KRE, KRE/A, KRE/B, KRM, KRS, KRS/A, KRS2
15	95001-45040-50	HOSE, FUEL, 4.5X40 (95001-45001-50M)	1	-----	1130000	KRS
	95001-45050-50	HOSE, FUEL, 4.5X50 (95001-45001-50M)	1	-----	-----	KRS/A
	95001-45080-50	TUBE, FUEL, 4.5X80 (95001-45001-50M)	1	1130001	-----	KRS
	95001-45310-50	HOSE, FUEL, 4.5X310 (95001-45001-50M)	1	-----	-----	KRB/B, KRBD, KRBD/A, KRBM, KRB1, KRB1/A, KRB4/B, KRB/A, KRB4/A
	95001-45100-50	HOSE, FUEL, 4.5X100 (95001-45001-50M)	1	-----	-----	KRB/A, KRB4/A
	95001-45100-50	.....	1	-----	-----	KRM
	95001-45100-50	.....	1	-----	-----	KRS2
16	17566-Z0D-T01	STAY B, FUEL TANK .....	1	-----	-----	BE14, QE14, SE14, SE3, VE3
	17566-Z0D-T02	.....	1	1376037	-----	BE14/A, QBE, QE14/A, SE14/A, SE3/A, VE3/A
	17566-Z0D-T02	.....	1	1376038	-----	VEA, VEG, BE14/A, QBE, QE14/A, SE14/A, SE3/A, VE3/A
17	19052-MB4-880	COLLAR, CANISTER MOUNTING ...	2	-----	-----	BE14, BE14/A, QBE, QE14, QE14/A, SE14, SE14/A, SE3, SE3/A, VEA, VEG, VE3, VE3/A
18	17532-Z0D-T00	RUBBER A, TANK MOUNTING .....	2	-----	-----	VEA, VEG
	17532-Z0D-T00	.....	2	1371831	-----	BE14/A, QBE, QE14/A, SE14/A, SE3/A, VE3/A
19	90343-ZE6-000	NUT, SELF-LOCK, 6MM .....	2	-----	-----	KRMB, KRMG, VEA, VEG
	90343-ZE6-000	.....	2	1371831	-----	BE14/A, QBE, QE14/A, SE14/A, SE3/A, VE3/A
20	90510-KY1-000	WASHER, PLAIN, 15MM .....	2	-----	-----	VEA, VEG
	90510-KY1-000	.....	2	1371831	-----	BE14/A, QBE, QE14/A, SE14/A, SE3/A, VE3/A



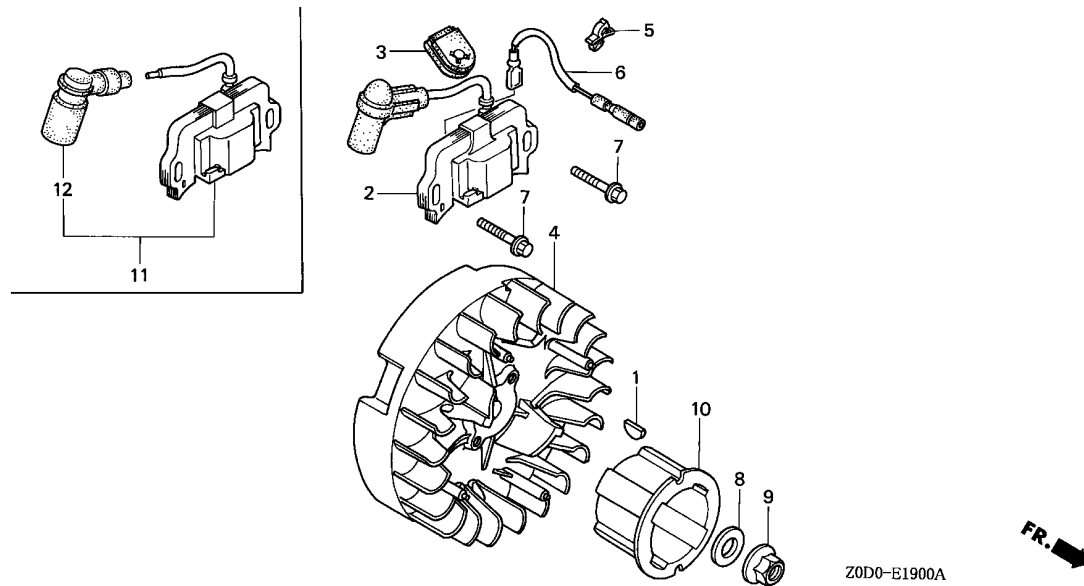




Ref. No.	L.O.N.	(Relative ref. Number) Description	F.R.T.
2		(11)	
6141A5		COIL, IGNITION(ONE) .....	0.2
4	2161B5	FLYWHEEL .....	0.3
12	6141B8	TERMINAL, HIGH TENSION .....	0.1

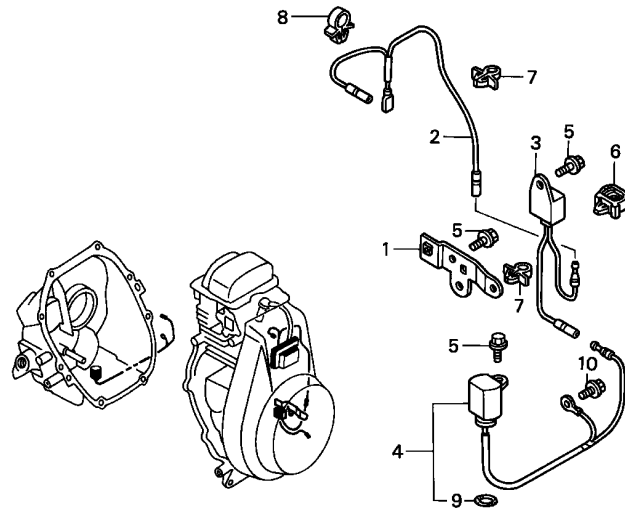


Ref. No.	Part No.	Description	Reqd. QTY		Serial No.	Parts catalogue code
			GX	100		
1	13331-ZM7-000	KEY, SPECIAL .....	1			
2	30500-Z0D-003	COIL ASSY., IGNITION .....	1			BE14,QAD,QA2,QA2/A,QA26,QA26/A,QD,QD/A,QE,QE/A,QE14,SA2,SD,SD/A,SE,SE/A,SE14,SE3,SJ,SJ/A,SJH,SMG,VA2,VA2/A,VE3,VE4,VE4/A,VSW,WD,WD/A,WJ,WJ/A
	30500-Z0D-013	.....	1		1418807	BE14/A,QAD/A,QA2/B,QA26/B,QBE,QD/B,QE/B,QE14/A,SA2/A,SD/B,SE/B,SE14/A,SE3/A,SJ/B,SJH/A,SMG/A,VA2/B,VE3/A,VE4/B,VSW/A,VSW4,WD/B,WJ/B
		.....	1		1418808	QXU2,VEA,VEG BE14/A,QAD/A,QA2/B,QA26/B,QBE,QD/B,QE/B,QE14/A,SA2/A,SD/B,SE/B,SE14/A,SE3/A,SJ/B,SJH/A,SMG/A,VA2/B,VE3/A,VE4/B,VSW/A,VSW4,WD/B,WJ/B
3	30564-ZA5-000	GROMMET, CORD .....	1			
4	31110-Z0D-003	FLYWHEEL COMP. ....	1			
5	30701-883-000	CLIP, HIGH TENSION CORD (8MM) .....	1			BE14,BE14/A,KR,KR/A,KR/B,KRAM,KRAM/A,KRA2,KRA2/A,KRA2/B,KRB,KRB/A,KRB/B,KRBD,KRBD/A,KRBM,KRB1,KRB1/A,KRB4,KRB4/A,KRB4/B,KRE,KRE/A,KRE/B,KRE4,KRE4/A,KRE4/B,KRF2,KRG,KRG/A,KRG/B,KRM,KRMB,KRMG,KRS,KRS/A,KRS2,KRW,KRW2,KRW2/A,KR4,KR4/A,KR4/B,QAD,QAD/A,QA2,QA2/A,QA2/B,QA26,QA26/A,QA26/B,QBE,QD,QD/A,QD/B,QE,QE/A,QE/B,QE14,QE14/A,SA2,SA2/A,SD,SD/A,SD/B,SE,SE/A,SE/B,SE14,SE14/A,SE3,SE3/A,SJ,SJ/A,SJ/B,SJH,SJH/A,SMG,SMG/A,VEA,VEG,VE3,VE3/A,WD,WD/A,WD/B,WJ,WJ/A,WJ/B
6	32195-Z0D-000	CORD, STOP SWITCH .....	1			BE14,BE14/A,KR,KR/A,KR/B,KRAM,KRAM/A,KRA2,KRA2/A,KRA2/B,KRB,KRB/A,KRB/B,KRBD,KRBD/A,KRBM,KRB1,KRB1/A,KRB4,KRB4/A,KRB4/B,KRE,KRE/A,KRE/B,KRE4,KRE4/A,KRE4/B,KRF2,KRG,KRG/A,KRG/B,KRM,KRMB,KRMG,KRS,KRS/A,KRS2,KRW,KRW2,KRW2/A,KR4,KR4/A,KR4/B,QAD,QAD/A,QA2,QA2/A,QA2/B,QA26,QA26/A,QA26/B,QBE,QD,QD/A,QD/B,QE,QE/A,QE/B,QE14,QE14/A,SA2,SA2/A,SD,SD/A,SD/B,SE,SE/A,SE/B,SE14,SE14/A,SE3,SE3/A,SJ,SJ/A,SJ/B,SJH,SJH/A,SMG,SMG/A,VEA,VEG,VE3,VE3/A,WD,WD/A,WD/B,WJ,WJ/A,WJ/B
7	90022-888-010	BOLT, FLANGE, 6X20(CT200) ...	2			



Ref. No.	Part No.	Description	Reqd. QTY		Serial No.	Parts catalogue code
			GX	100		
8	90531-011-010	WASHER, 12MM .....	1	-----	-----	QAD,QAD/A,QA2,QA2/A,QA2/B,QA26,QA26/A,QA26/B,QBE,QD,QD/A,QD/B,QE,QE/A, QE/B,QE14,QE14/A,QXU2,SA2,SA2/A,SD,SD/A,SD/B,SE,SE/A,SE/B,SE14,SE14/A,SJ SJ/A,SJ/B,SJH,SJH/A,SMG,SMG/A,VA2,VA2/A,VA2/B,VE4,VE4/A,VE4/B,VSW,VSW/A VSW4,WD,WD/A,WD/B,WJ,WJ/A,WJ/B
9	94050-12000	NUT, FLANGE, 12MM .....	1	-----	-----	BE14,BE14/A,KR,KR/A,KR/B,KRAM,KRAM/A,KRA2,KRA2/A,KRA2/B,KRB,KRB/A,KRB/B
10	28451-Z0D-V02	PULLEY, STARTER .....	1	-----	-----	KRBD,KRBD/A,KRBM,KRB1,KRB1/A,KRB4,KRB4/A,KRB4/B,KRE,KRE/A,KRE/B,KRE4 KRE4/A,KRE4/B,KRF2,KRG,KRG/A,KRG/B,KRM,KRMB,KRMG,KRS,KRS/A,KRS2,KRW,KRW2 KRW2/A,KR4,KR4/A,KR4/B,SE3,SE3/A,VEA,VEG,VE3,VE3/A
11	30500-Z0D-V01	COIL ASSY., IGNITION .....	1	-----	-----	KR,KR/A,KRAM,KRA2,KRA2/A,KRB,KRB/A,KRBD,KRB1,KRB4,KRB4/A,KRE,KRE/A,KRE4 KRE4/A,KRG,KRG/A,KRS,KRW2,KR4,KR4/A
			1	-----	1418616	KR/B,KRAM/A,KRA2/B,KRB/B,KRBD/A,KRB1/A,KRB4/B,KRE/B,KRE4/B,KRF2,KRG/B,KRM KRS/A,KRS2,KRW,KRW2/A,KR4/B
	30500-Z0D-V02	.....	1	-----	-----	KRBM,KRMB,KRMG
			1	-----	1418617	KR/B,KRAM/A,KRA2/B,KRB/B,KRBD/A,KRB1/A,KRB4/B,KRE/B,KRE4/B,KRF2,KRG/B,KRM KRS/A,KRS2,KRW,KRW2/A,KR4/B
12	30700-Z0D-V01	TERMINAL ASSY., HIGH TENSION	1	-----	-----	KR,KR/A,KR/B,KRAM,KRAM/A,KRA2,KRA2/A,KRA2/B,KRB,KRB/A,KRB/B,KRBD,KRBD/A KRBM,KRB1,KRB1/A,KRB4,KRB4/A,KRB4/B,KRE,KRE/A,KRE/B,KRE4,KRE4/A,KRE4/B KRF2,KRG,KRG/A,KRG/B,KRM,KRMB,KRMG,KRS,KRS/A,KRS2,KRW,KRW2,KRW2/A,KR4 KR4/A,KR4/B

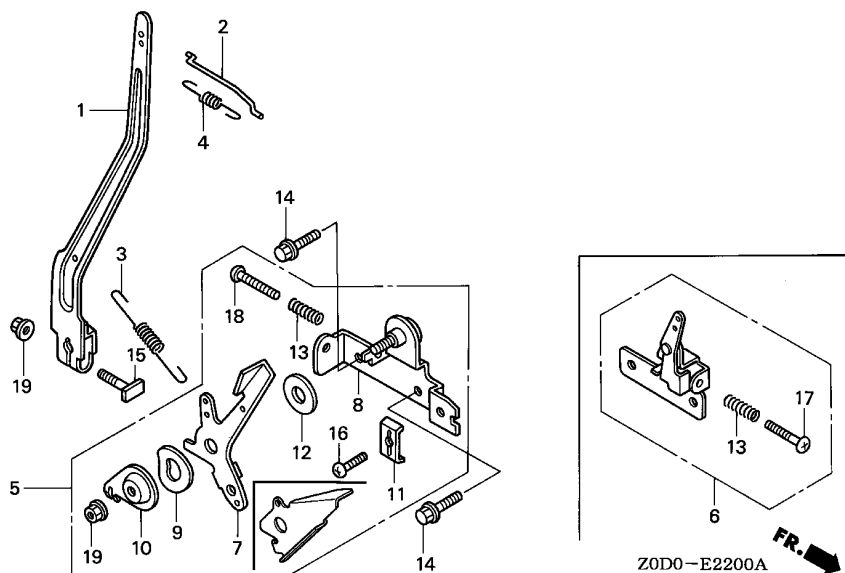




Z0D0-E1910

Ref. No.	L.O.N.	(Relative ref. Number) Description	F.R.T.
2	6111B3	CORD, STOP SWITCH .....	0.2
3	6151A0	ALERT UNIT, OIL .....	0.2
4	6151E8	SWITCH, OIL LEVEL .....	0.8

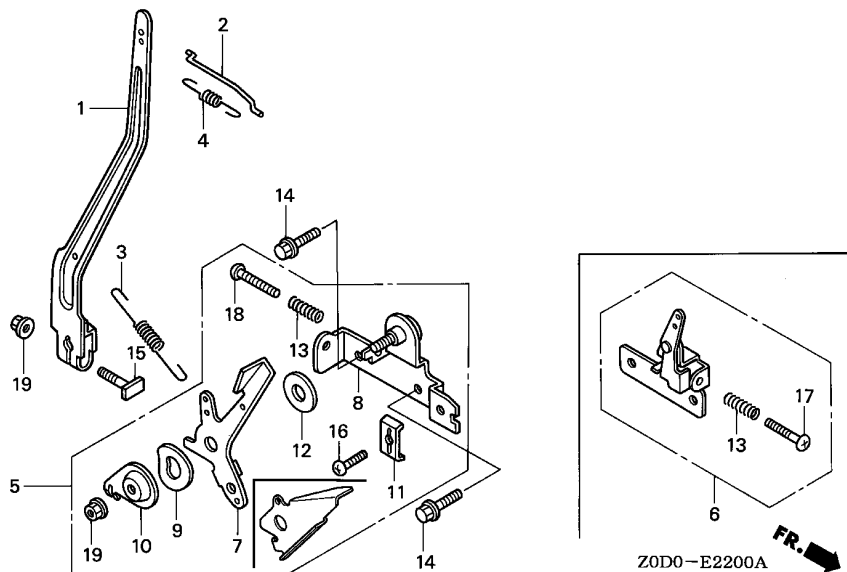
Ref. No.	Part No.	Description	Reqd. QTY		Serial No.	Parts catalogue code
			GX	100		
1	32112-Z0D-800	BRACKET, OIL ALERT UNIT .....	1	-----	-----	QXU2,VA2,VA2/A,VA2/B,VE4,VE4/A,VE4/B
2	32195-Z0D-800	CORD, STOP SWITCH .....	1	-----	-----	QXU2,VA2,VA2/A,VA2/B,VE4,VE4/A,VE4/B
	32195-Z0D-U00	.....	1	-----	-----	VSW,VSW/A,VSW4
3	34150-ZH7-003	ALERT UNIT, OIL .....	1	-----	-----	QXU2,VA2,VA2/A,VA2/B,VE4,VE4/A,VE4/B
4	35480-Z0D-003	SWITCH ASSY., OIL LEVEL .....	1	-----	-----	QXU2,VA2,VA2/A,VA2/B,VE4,VE4/A,VE4/B
	35480-Z0D-U01	.....	1	-----	-----	VSW,VSW/A,VSW4
5	90014-952-000	BOLT, FLANGE, 6X14(CT200) ...	1	-----	-----	VSW,VSW/A,VSW4
			3	-----	-----	QXU2,VA2,VA2/A,VA2/B,VE4,VE4/A,VE4/B
6	90650-SB2-003	CLIP, WIRE HARNESS, 10MM ....	1	-----	-----	QXU2,VA2,VA2/A,VA2/B,VE4,VE4/A,VE4/B
7	90681-959-003	CLIP A, CABLE (NIFCO) .....	1	-----	-----	VSW,VSW/A,VSW4
			2	-----	-----	QXU2,VA2,VA2/A,VA2/B,VE4,VE4/A,VE4/B
8	90659-170-000	CLIP, CABLE, 6MM(WHITE) .....	1	-----	-----	VSW,VSW/A,VSW4
	90682-959-661	CLIP B, CABLE .....	1	-----	-----	QXU2,VA2,VA2/A,VA2/B,VE4,VE4/A,VE4/B
9	91302-ZL8-003	O-RING, 11.8X2.4 .....	1	-----	-----	QXU2,VA2,VA2/A,VA2/B,VE4,VE4/A,VE4/B,VSW,VSW/A,VSW4
10	95701-06008-00	BOLT, FLANGE, 6X8 .....	1	-----	-----	QXU2,VA2,VA2/A,VA2/B,VE4,VE4/A,VE4/B
	90014-952-000	BOLT, FLANGE, 6X14(CT200) ...	1	-----	-----	VSW,VSW/A,VSW4



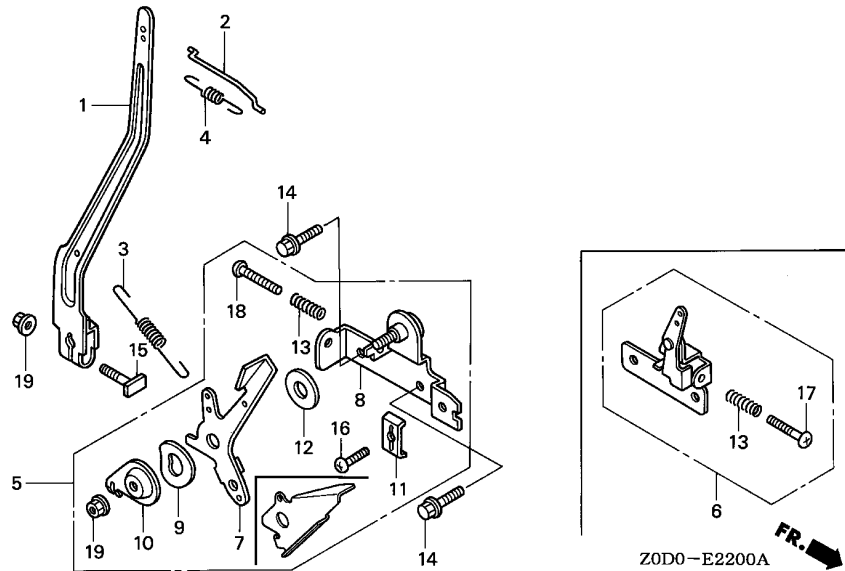
Ref. No.	L.O.N.	(Relative ref. Number) Description	F.R.T.
1	1161A0	ARM, GOVERNOR .....	0.2
2	1161B1	ROD, GOVERNOR .....	0.2
3	1161C5	SPRING, GOVERNOR .....	0.1
4	1161C2	SPRING, THROTTLE RETURN .....	0.2
5		(6)	
	1161A5	CONTROL, THROTTLE/GOVERNOR ...	0.2
7	1161A8	LEVER, CONTROL .....	0.3
8	1161A2	BASE, CONTROL .....	0.3

Ref. No.	Part No.	Description	Reqd. QTY	Serial No.	Parts catalogue code
			GX 100		
1	16551-Z0D-000	ARM, GOVERNOR .....	1		QA2,QA26,QD,QE,SD,SE,SJ,VA2,VE4,WD,WJ
	16551-Z0D-010	.....	1	1185929	QAD,QA2/A,QA26/A,QD/A,QE/A,SA2,SD/A,SE/A,SJ/A,VA2/A,VE4/A,VSW,WD/A,WJ/A
		.....	1		BE14,BE14/A,QAD,QAD/A,QA2/B,QA26/B,QBE,QD/B,QE/B,QE14,QE14/A,QXU2,SA2/A,SD/B
		.....	1		SE/B,SE14,SE14/A,SE3,SE3/A,SJ/B,VA2/B,VEA,VEG,VE3,VE3/A,VE4/B,VSW/A,VSW4
		.....	1		WD/B,WJ/B
2	16555-Z0D-000	ROD, GOVERNOR .....	1	1185930	QAD,QA2/A,QA26/A,QD/A,QE/A,SA2,SD/A,SE/A,SJ/A,VA2/A,VE4/A,VSW,WD/A,WJ/A
		.....	1		BE14,BE14/A,QAD,QAD/A,QA2,QA2/A,QA2/B,QA26,QA26/A,QA26/B,QBE,QD,QD/A,QD/B
		.....	1		QE,QE/A,QE/B,QE14,QE14/A,QXU2,SA2,SA2/A,SD,SD/A,SD/B,SE,SE/A,SE/B,SE14
		.....	1		SE14/A,SE3,SE3/A,SJ,SJ/A,SJ/B,VA2,VA2/A,VA2/B,VEA,VEG,VE3,VE3/A,VE4,VE4/A
		.....	1		VE4/B,VSW,VSW/A,VSW4,WD,WD/A,WD/B,WJ,WJ/A,WJ/B
3	16561-Z0D-000	SPRING, GOVERNOR .....	1		BE14,BE14/A,QAD,QAD/A,QA2,QA2/A,QA2/B,QA26,QA26/A,QA26/B,QBE,QD,QD/A,QD/B
	16561-Z0D-U00	.....	1		QE,QE/A,QE/B,QE14,QE14/A,QXU2,SA2,SA2/A,SD,SD/A,SD/B,SE,SE/A,SE/B,SE14
4	16562-Z0D-000	SPRING, THROTTLE RETURN .....	1		SE14/A,SE3,SE3/A,SJ,SJ/A,SJ/B,VA2,VA2/A,VA2/B,VEA,VEG,VE3,VE3/A,VE4,VE4/A
		.....	1		VE4/B,WD,WD/A,WD/B,WJ,WJ/A,WJ/B
		.....	1		VSW,VSW/A,VSW4
5	16570-ZG0-W00	CONTROL ASSY. (STD.) .....	1		BE14,BE14/A,QAD,QAD/A,QA2,QA2/A,QA2/B,QA26,QA26/A,QA26/B,QBE,QD,QD/A,QD/B
	16500-Z0D-T00	CONTROL ASSY. ....	1		QE,QE/A,QE/B,QE14,QE14/A,QXU2,SA2,SA2/A,SD,SD/A,SD/B,SE,SE/A,SE/B,SE14
		.....	1		SE14/A,SE3,SE3/A,SJ,SJ/A,SJ/B,VA2,VA2/A,VA2/B,VEA,VEG,VE3,VE3/A,VE4,VE4/A
		.....	1		VE4/B,VSW,VSW/A,VSW4,WD,WD/A,WD/B,WJ,WJ/A,WJ/B
		.....	1		QAD,QAD/A,QA2,QA2/A,QA2/B,QA26,QA26/A,QA26/B,QBE,QD,QD/A,QD/B,QE,QE/A
		.....	1		QE/B,QE14,QE14/A,QXU2,SA2,SA2/A,SD,SD/A,SD/B,SE,SE/A,SE/B,SE14,SE14/A,SJ
		.....	1		SJ/A,SJ/B,WD,WD/A,WD/B,WJ,WJ/A,WJ/B
		.....	1		BE14,BE14/A,SE3,SE3/A,VEA,VEG,VE3,VE3/A
6	16500-Z0D-U00	CONTROL ASSY. ....	1		VSW,VSW/A,VSW4
	16570-ZG0-800	CONTROL COMP. ....	1		VA2,VA2/A,VA2/B,VE4,VE4/A,VE4/B
7	16571-ZG0-000	LEVER, CONTROL (STD.) .....	1		QAD,QAD/A,QA2,QA2/A,QA2/B,QA26,QA26/A,QA26/B,QBE,QD,QD/A,QD/B,QE,QE/A
		.....	1		QE/B,QE14,QE14/A,QXU2,SA2,SA2/A,SD,SD/A,SD/B,SE,SE/A,SE/B,SE14,SE14/A,SJ
		.....	1		SJ/A,SJ/B,WD,WD/A,WD/B,WJ,WJ/A,WJ/B



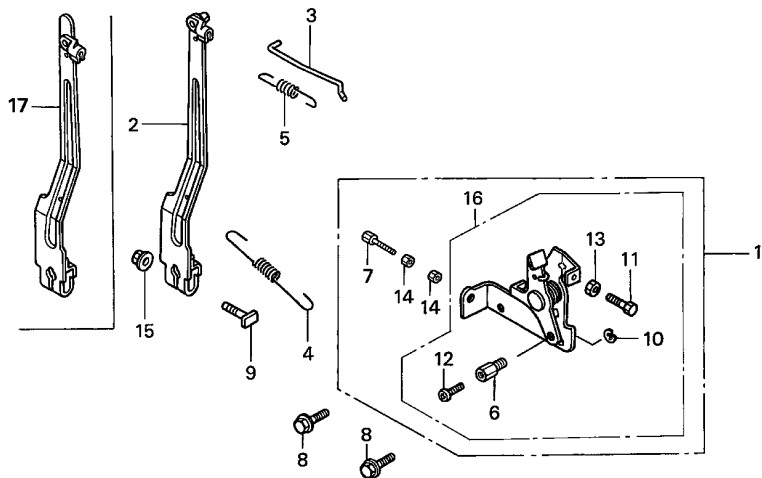


Ref. No.	Part No.	Description	Reqd. QTY		Serial No.	Parts catalogue code
			GX	100		
8	16572-ZG0-000	BASE COMP., CONTROL (STD.)	1	1	-----	BE14, BE14/A, QAD, QAD/A, QA2, QA2/A, QA2/B, QA26, QA26/A, QA26/B, QBE, QD, QD/A, QD/B, QE, QE/A, QE/B, QE14, QE14/A, QXU2, SA2, SA2/A, SD, SD/A, SD/B, SE, SE/A, SE/B, SE14, SE14/A, SE3, SE3/A, SJ, SJ/A, SJ/B, VEA, VEG, VE3, VE3/A, WD, WD/A, WD/B, WJ, WJ/A, WJ/B
9	16574-ZE1-000	SPRING, LEVER	1	1	-----	BE14, BE14/A, QAD, QAD/A, QA2, QA2/A, QA2/B, QA26, QA26/A, QA26/B, QBE, QD, QD/A, QD/B, QE, QE/A, QE/B, QE14, QE14/A, QXU2, SA2, SA2/A, SD, SD/A, SD/B, SE, SE/A, SE/B, SE14, SE14/A, SE3, SE3/A, SJ, SJ/A, SJ/B, VEA, VEG, VE3, VE3/A, WD, WD/A, WD/B, WJ, WJ/A, WJ/B
10	16575-ZG0-000	WASHER, CONTROL LEVER	1	1	-----	BE14, BE14/A, QAD, QAD/A, QA2, QA2/A, QA2/B, QA26, QA26/A, QA26/B, QBE, QD, QD/A, QD/B, QE, QE/A, QE/B, QE14, QE14/A, QXU2, SA2, SA2/A, SD, SD/A, SD/B, SE, SE/A, SE/B, SE14, SE14/A, SE3, SE3/A, SJ, SJ/A, SJ/B, VEA, VEG, VE3, VE3/A, WD, WD/A, WD/B, WJ, WJ/A, WJ/B
11	16576-891-000	HOLDER, CABLE	1	1	-----	QAD, QAD/A, QA2, QA2/A, QA2/B, QA26, QA26/A, QA26/B, QBE, QD, QD/A, QD/B, QE, QE/A, QE/B, QE14, QE14/A, QXU2, SA2, SA2/A, SD, SD/A, SD/B, SE, SE/A, SE/B, SE14, SE14/A, SJ, SJ/A, SJ/B, WD, WD/A, WD/B, WJ, WJ/A, WJ/B
12	16578-ZE1-000	SPACER, CONTROL LEVER	1	1	-----	BE14, BE14/A, QAD, QAD/A, QA2, QA2/A, QA2/B, QA26, QA26/A, QA26/B, QBE, QD, QD/A, QD/B, QE, QE/A, QE/B, QE14, QE14/A, QXU2, SA2, SA2/A, SD, SD/A, SD/B, SE, SE/A, SE/B, SE14, SE14/A, SE3, SE3/A, SJ, SJ/A, SJ/B, VEA, VEG, VE3, VE3/A, WD, WD/A, WD/B, WJ, WJ/A, WJ/B
13	16584-883-300	SPRING, CONTROL ADJUSTING	1	1	-----	BE14, BE14/A, QAD, QAD/A, QA2, QA2/A, QA2/B, QA26, QA26/A, QA26/B, QBE, QD, QD/A, QD/B, QE, QE/A, QE/B, QE14, QE14/A, QXU2, SA2, SA2/A, SD, SD/A, SD/B, SE, SE/A, SE/B, SE14, SE14/A, SE3, SE3/A, SJ, SJ/A, SJ/B, VA2, VA2/A, VA2/B, VEA, VEG, VE3, VE3/A, VE4, VE4/A, VE4/B, VSW, VSW/A, VSW4, WD, WD/A, WD/B, WJ, WJ/A, WJ/B
14	90014-952-000	BOLT, FLANGE, 6X14(CT200)	2	2	-----	BE14, BE14/A, QAD, QAD/A, QA2, QA2/A, QA2/B, QA26, QA26/A, QA26/B, QBE, QD, QD/A, QD/B, QE, QE/A, QE/B, QE14, QE14/A, QXU2, SA2, SA2/A, SD, SD/A, SD/B, SE, SE/A, SE/B, SE14, SE14/A, SE3, SE3/A, SJ, SJ/A, SJ/B, VA2, VA2/A, VA2/B, VEA, VEG, VE3, VE3/A, VE4, VE4/A, VE4/B, VSW, VSW/A, VSW4, WD, WD/A, WD/B, WJ, WJ/A, WJ/B
15	90015-ZE5-010	BOLT, GOVERNOR ARM	1	1	-----	BE14, BE14/A, QAD, QAD/A, QA2, QA2/A, QA2/B, QA26, QA26/A, QA26/B, QBE, QD, QD/A, QD/B, QE, QE/A, QE/B, QE14, QE14/A, QXU2, SA2, SA2/A, SD, SD/A, SD/B, SE, SE/A, SE/B, SE14, SE14/A, SE3, SE3/A, SJ, SJ/A, SJ/B, VA2, VA2/A, VA2/B, VEA, VEG, VE3, VE3/A, VE4, VE4/A, VE4/B, VSW, VSW/A, VSW4, WD, WD/A, WD/B, WJ, WJ/A, WJ/B



Ref. No.	Part No.	Description	Reqd. QTY		Serial No.	Parts catalogue code
			GX	100		
16	93500-05016-0A	SCREW, PAN, 5X16	1			QAD,QAD/A,QA2,QA2/A,QA2/B,QA26,QA26/A,QA26/B,QBE,QD,QD/A,QD/B,QE,QE/A,QE/B,QE14,QE14/A,QXU2,SA2,SA2/A,SD,SD/A,SD/B,SE,SE/A,SE/B,SE14,SE14/A,SJ,SJ/A,SJ/B,WD,WD/A,WD/B,WJ,WJ/A,WJ/B
17	92301-05020-0A	BOLT, RECESSED, 5X20	1			VSW,VSW/A,VSW4
	93500-05020-0A	SCREW, PAN, 5X20	1			VA2,VA2/A,VA2/B,VE4,VE4/A,VE4/B
18	93500-05025-0A	SCREW, PAN, 5X25	1			BE14,BE14/A,QAD,QAD/A,QA2,QA2/A,QA2/B,QA26,QA26/A,QA26/B,QBE,QD,QD/A,QD/B,QE,QE/A,QE/B,QE14,QE14/A,QXU2,SA2,SA2/A,SD,SD/A,SD/B,SE,SE/A,SE/B,SE14,SE14/A,SE3,SE3/A,SJ,SJ/A,SJ/B,VEA,VEG,VE3,VE3/A,WD,WD/A,WD/B,WJ,WJ/A,WJ/B
19	94050-06000	NUT, FLANGE, 6MM	1			VA2,VA2/A,VA2/B,VE4,VE4/A,VE4/B,VSW,VSW/A,VSW4
			2			BE14,BE14/A,QAD,QAD/A,QA2,QA2/A,QA2/B,QA26,QA26/A,QA26/B,QBE,QD,QD/A,QD/B,QE,QE/A,QE/B,QE14,QE14/A,QXU2,SA2,SA2/A,SD,SD/A,SD/B,SE,SE/A,SE/B,SE14,SE14/A,SE3,SE3/A,SJ,SJ/A,SJ/B,VEA,VEG,VE3,VE3/A,WD,WD/A,WD/B,WJ,WJ/A,WJ/B



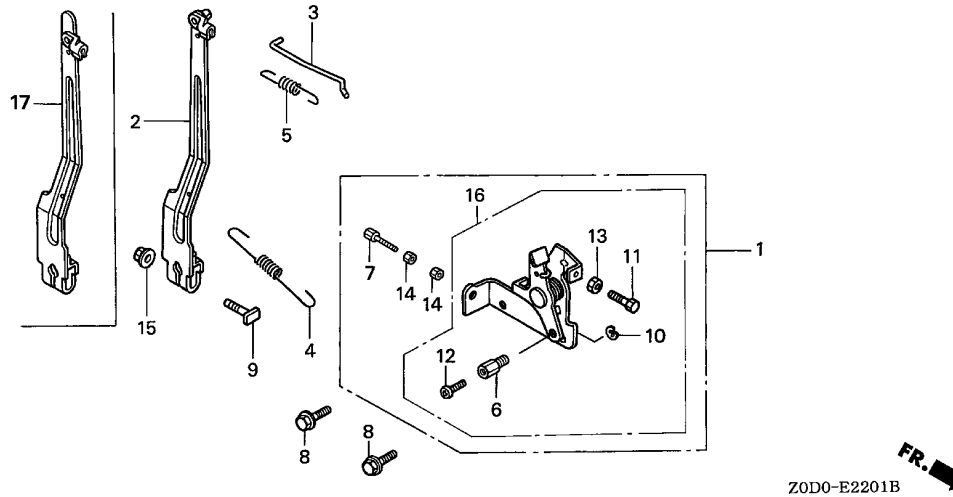


Z0D0-E2201B



Ref. No.	L.O.N.	(Relative ref. Number) Description	F.R.T.
1	(16)		
1	1161A5	CONTROL, THROTTLE/GOVERNOR ...	0.2
2	(17)		
2	1161A0	ARM, GOVERNOR .....	0.2
3	1161B1	ROD, GOVERNOR .....	0.2
4	1161C5	SPRING, GOVERNOR .....	0.1
5	1161C2	SPRING, THROTTLE RETURN .....	0.2

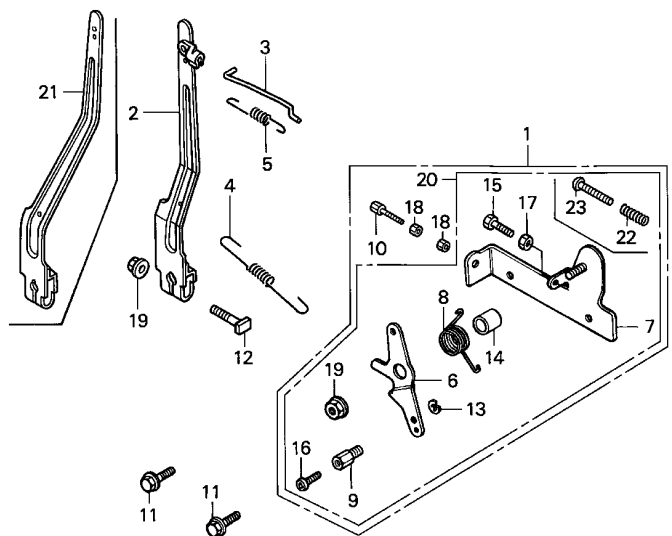
Ref. No.	Part No.	Description	Reqd. QTY	Serial No.	Parts catalogue code
			GX 100		
1	16500-ZG0-V90	CONTROL ASSY. ....	1	-----	KR,KR/A,KR/B,KRA2,KRA2/A,KRA2/B,KRB,KRB4,KRE,KRE/A,KRE/B,KRF2,KRS2,KRW2,KRW2/A
2	16550-Z0D-V20	ARM COMP., GOVERNOR .....	1	1144521	KRB/A,KRB4/A
	16550-Z0D-V21	.....	1	-----	KR,KRA2,KRB,KRB4,KRE
			1	1186442	KR/A,KRA2/A,KRB/A,KRB1,KRB4/A,KRE/A
			1	1186443	KR/B,KRA2/B,KRB/B,KRBD,KRBD/A,KRB1/A,KRB4/B,KRE/B,KRS2,KRW2,KRW2/A
3	16555-Z0D-V20	ROD, GOVERNOR .....	1	-----	KR,KR/A,KR/B,KRA2,KRA2/A,KRA2/B,KRB,KRB/A,KRB/B,KRBD,KRBD/A,KRB1,KRB1/A
	16555-Z0D-V00	.....	1	-----	KRB4,KRB4/A,KRB4/B,KRE,KRE/A,KRE/B,KRS2,KRW2,KRW2/A
4	16561-Z0D-V20	SPRING, GOVERNOR .....	1	-----	KRBM,KRF2
	16561-Z0D-V00	.....	1	-----	KR,KR/A,KR/B,KRA2,KRA2/A,KRA2/B,KRB,KRB/A,KRB/B,KRBD,KRBD/A,KRB1,KRB1/A
5	16562-Z0D-V20	SPRING, THROTTLE RETURN .....	1	-----	KRB4,KRB4/A,KRB4/B,KRE,KRE/A,KRE/B,KRS2,KRW2,KRW2/A
	16562-Z0D-V00	.....	1	-----	KRBM,KRF2
6	16594-883-010	HOLDER, WIRE .....	1	-----	KR,KR/A,KR/B,KRA2,KRA2/A,KRA2/B,KRB,KRB/A,KRB/B,KRBD,KRBD/A,KRBM,KRB1
			1	-----	KRB1/A,KRB4,KRB4/A,KRB4/B,KRE,KRE/A,KRE/B,KRF2,KRS2,KRW2,KRW2/A
7	54717-ZG0-S00	BOLT, CABLE ADJUSTING (6X34) .....	1	-----	KR,KR/A,KR/B,KRA2,KRA2/A,KRA2/B,KRB,KRB4,KRE,KRE/A,KRE/B,KRF2,KRS2,KRW2
			1	1144521	KRW2/A
			1	-----	KRB/A,KRB4/A
8	90014-952-000	BOLT, FLANGE, 6X14(CT200) ...	2	-----	KR,KR/A,KR/B,KRA2,KRA2/A,KRA2/B,KRB,KRB/A,KRB/B,KRBD,KRBD/A,KRBM,KRB1
			1	-----	KRB1/A,KRB4,KRB4/A,KRB4/B,KRE,KRE/A,KRE/B,KRF2,KRS2,KRW2,KRW2/A
9	90015-ZE5-010	BOLT, GOVERNOR ARM .....	1	-----	KR,KR/A,KR/B,KRA2,KRA2/A,KRA2/B,KRB,KRB/A,KRB/B,KRBD,KRBD/A,KRBM,KRB1
			1	-----	KRB1/A,KRB4,KRB4/A,KRB4/B,KRE,KRE/A,KRE/B,KRF2,KRS2,KRW2,KRW2/A
10	90605-230-000	CIRCLIP, 5MM .....	1	-----	KR,KR/A,KR/B,KRA2,KRA2/A,KRA2/B,KRB,KRB/A,KRB/B,KRBD,KRBD/A,KRBM,KRB1
			1	-----	KRB1/A,KRB4,KRB4/A,KRB4/B,KRE,KRE/A,KRE/B,KRF2,KRS2,KRW2,KRW2/A



Ref. No.	Part No.	Description	Reqd. QTY		Serial No.	Parts catalogue code
			GX	100		
11	92301-05020-0A	BOLT, RECESSED, 5X20	1			KR, KR/A, KR/B, KRA2, KRA2/A, KRA2/B, KRB, KRB/A, KRB/B, KRBD, KRBD/A, KRBM, KRB1, KRB1/A, KRB4, KRB4/A, KRB4/B, KRE, KRE/A, KRE/B, KRF2, KRS2, KRW2, KRW2/A
12	93500-04006-0H	SCREW, PAN, 4X6	1			KR, KR/A, KR/B, KRA2, KRA2/A, KRA2/B, KRB, KRB/A, KRB/B, KRBD, KRBD/A, KRBM, KRB1, KRB1/A, KRB4, KRB4/A, KRB4/B, KRE, KRE/A, KRE/B, KRF2, KRS2, KRW2, KRW2/A
13	94001-05000-0S	NUT, HEX., 5MM	1			KR, KR/A, KR/B, KRA2, KRA2/A, KRA2/B, KRB, KRB/A, KRB/B, KRBD, KRBD/A, KRBM, KRB1, KRB1/A, KRB4, KRB4/A, KRB4/B, KRE, KRE/A, KRE/B, KRF2, KRS2, KRW2, KRW2/A
14	94002-06000-0S	NUT, HEX., 6MM	2			KR, KR/A, KR/B, KRA2, KRA2/A, KRA2/B, KRB, KRB4, KRE, KRE/A, KRE/B, KRF2, KRS2, KRW2, KRW2/A
15	94050-06000	NUT, FLANGE, 6MM	2	1144521		KRB/A, KRB4/A
16	16500-Z0D-V50	CONTROL ASSY.	1			KR, KR/A, KR/B, KRA2, KRA2/A, KRA2/B, KRB, KRB/A, KRB/B, KRBD, KRBD/A, KRBM, KRB1, KRB1/A, KRB4, KRB4/A, KRB4/B, KRE, KRE/A, KRE/B, KRF2, KRS2, KRW2, KRW2/A
17	16550-Z0D-V01	ARM COMP., GOVERNOR	1	1144522		KRB/B, KRBD, KRBD/A, KRBM, KRB1, KRB1/A, KRB4/B, KRB/A, KRB4/A
			1			KRBM, KRF2





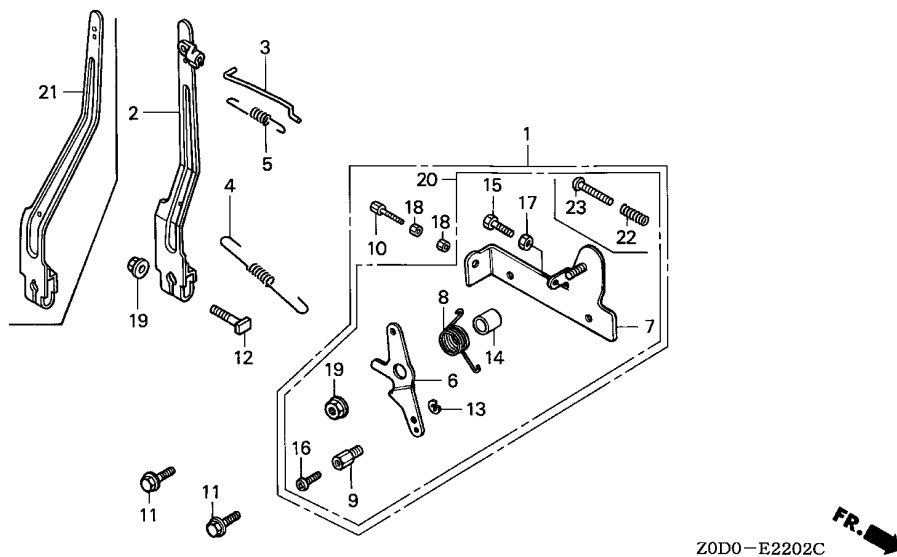


Z0D0-E2202C



Ref. No.	L.O.N.	(Relative ref. Number) Description	F.R.T.
1	1161A5	CONTROL, THROTTLE/GOVERNOR ... (21)	0.2
2	1161A0	ARM, GOVERNOR .....	0.2
3	1161B1	ROD, GOVERNOR .....	0.2
4	1161C5	SPRING, GOVERNOR .....	0.1
5	1161D3	SPRING, THROTTLE RETURN(A) ... (8)	0.2
6	1161A8	LEVER, CONTROL .....	0.3
7	1161A3	BASE, CONTROL LEVER .....	0.3

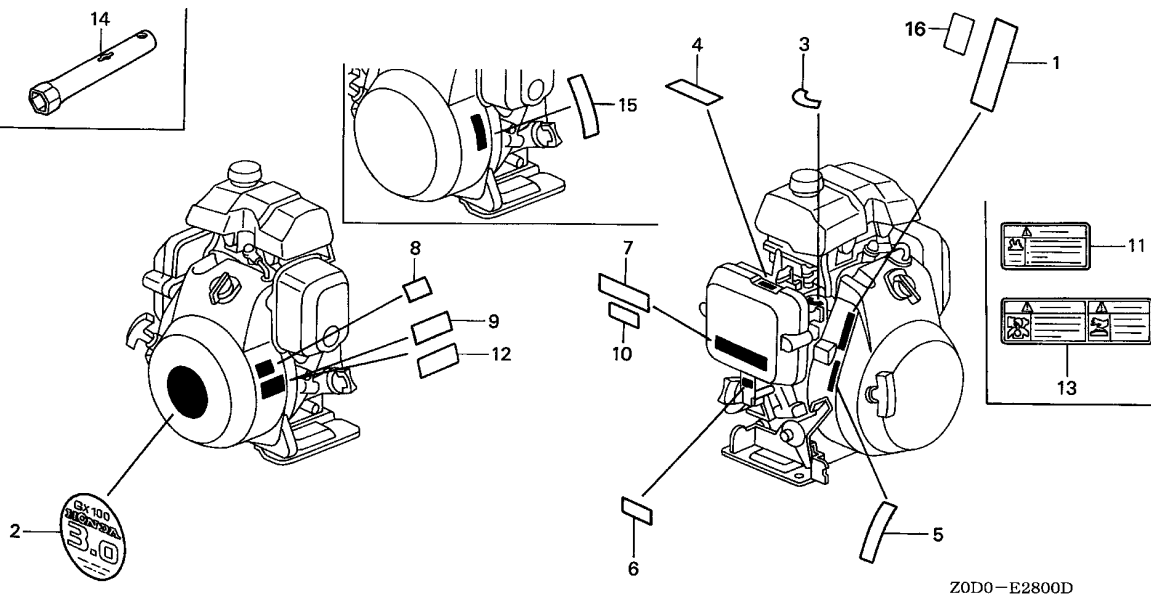
Ref. No.	Part No.	Description	Reqd. QTY	Serial No.	Parts catalogue code
			GX 100		
1	16500-ZG0-U01	CONTROL ASSY. (REMOTE) .....	1	-----	KRE4,KRE4/A,KRE4/B,KRMB,KRW,KR4,KR4/A,KR4/B
2	16550-Z0D-V00	ARM COMP., GOVERNOR .....	1	-----	1186901 KRAM
			1	-----	KRE4,KRG,KR4
	16550-Z0D-V20	.....	1	-----	1186901 KRE4/A,KRG/A,KR4/A
	16550-Z0D-V01	.....	1	-----	1186442 KRS
			1	1186902	KRAM/A,KRE4/B,KRG/B,KRM,KRMB,KRMG,KRW,KR4/B
	16550-Z0D-V21	.....	1	-----	KRAM,KRE4/A,KRG/A,KR4/A
			1	-----	KRS/A
			1	1186443	KRS
3	16555-Z0D-V00	ROD, GOVERNOR .....	1	-----	KRAM,KRAM/A,KRE4,KRE4/A,KRE4/B,KRG,KRG/A,KRG/B,KRM,KRMB,KRMG,KRW,KR4
			1	-----	KR4/A,KR4/B
	16555-Z0D-V20	.....	1	-----	KRS,KRS/A
	16555-Z0D-000	.....	1	-----	SJH,SJH/A,SMG,SMG/A
4	16561-Z0D-V00	SPRING, GOVERNOR .....	1	-----	KRAM,KRAM/A,KRE4,KRE4/A,KRE4/B,KRG,KRG/A,KRG/B,KRM,KRMB,KRMG,KRW,KR4
			1	-----	KR4/A,KR4/B
	16561-Z0D-V20	.....	1	-----	KRS,KRS/A,SJH,SJH/A,SMG,SMG/A
5	16562-Z0D-V00	SPRING, THROTTLE RETURN .....	1	-----	KRAM,KRAM/A,KRE4,KRE4/A,KRE4/B,KRG,KRG/A,KRG/B,KRM,KRMB,KRMG,KRW,KR4
			1	-----	KR4/A,KR4/B
	16562-Z0D-V20	.....	1	-----	KRS,KRS/A
	16562-Z0D-000	.....	1	-----	SJH,SJH/A,SMG,SMG/A
6	16571-ZG0-810	LEVER, CONTROL (REMOTE) .....	1	-----	KRAM,KRAM/A,KRE4,KRE4/A,KRE4/B,KRG,KRG/A,KRG/B,KRM,KRMB,KRMG,KRS,KRS/A
			1	-----	KRW,KR4,KR4/A,KR4/B,SJH,SJH/A,SMG,SMG/A
7	16572-ZG0-810	BASE COMP., CONTROL (REMOTE) .....	1	-----	KRAM,KRAM/A,KRE4,KRE4/A,KRE4/B,KRG,KRG/A,KRG/B,KRMB,KRMG,KRW,KR4,KR4/A
			1	-----	KR4/B,SJH,SJH/A,SMG,SMG/A
	16581-Z0D-V80	BASE, CONTROL .....	1	-----	KRM,KRS,KRS/A
8	16575-Z0D-V70	SPRING, CONTROL LEVER RETURN .....	1	-----	KRAM,KRAM/A,KRG,KRG/A,KRG/B,KRMG
	16592-896-610	SPRING, RETURN .....	1	-----	KRE4,KRE4/A,KRE4/B,KRM,KRMB,KRS,KRS/A,KRW,KR4,KR4/A,KR4/B,SJH,SJH/A,SMG
					SMG/A



Z0D0-E2202C

Ref. No.	Part No.	Description	Reqd. QTY		Serial No.	Parts catalogue code
			GX	100		
9	16594-883-010	HOLDER, WIRE .....	1	-----	-----	KRAM,KRAM/A,KRE4,KRE4/A,KRE4/B,KRG,KRG/A,KRG/B,KRM,KRMB,KRMG,KRS,KRS/A KRW,KR4,KR4/A,KR4/B,SJH,SJH/A,SMG,SMG/A
10	54717-ZG0-S00	BOLT, CABLE ADJUSTING (6X34) .....	1	-----	-----	KRE4,KRE4/A,KRE4/B,KRMB,KRW,KR4,KR4/A,KR4/B
11	90014-952-000	BOLT, FLANGE, 6X14(CT200) ...	2	-----	-----	KRAM,KRAM/A,KRE4,KRE4/A,KRE4/B,KRG,KRG/A,KRG/B,KRM,KRMB,KRMG,KRS,KRS/A KRW,KR4,KR4/A,KR4/B,SJH,SJH/A,SMG,SMG/A
12	90015-ZE5-010	BOLT, GOVERNOR ARM .....	1	-----	-----	KRAM,KRAM/A,KRE4,KRE4/A,KRE4/B,KRG,KRG/A,KRG/B,KRM,KRMB,KRMG,KRS,KRS/A KRW,KR4,KR4/A,KR4/B,SJH,SJH/A,SMG,SMG/A
13	90605-230-000	CIRCLIP, 5MM .....	1	-----	-----	KRAM,KRAM/A,KRE4,KRE4/A,KRE4/B,KRG,KRG/A,KRG/B,KRM,KRMB,KRMG,KRS,KRS/A KRW,KR4,KR4/A,KR4/B,SJH,SJH/A,SMG,SMG/A
14	91552-ZG0-810	COLLAR, CONTROL LEVER .....	1	-----	-----	KRAM,KRAM/A,KRE4,KRE4/A,KRE4/B,KRG,KRG/A,KRG/B,KRM,KRMB,KRMG,KRS,KRS/A KRW,KR4,KR4/A,KR4/B,SJH,SJH/A,SMG,SMG/A
15	92301-05020-0A	BOLT, RECESSED, 5X20 .....	1	-----	-----	KRAM,KRAM/A,KRE4,KRE4/A,KRE4/B,KRG,KRG/A,KRG/B,KRM,KRMB,KRMG,KRS,KRS/A KRW,KR4,KR4/A,KR4/B
16	93500-04006-0H	SCREW, PAN, 4X6 .....	1	-----	-----	KRAM,KRAM/A,KRE4,KRE4/A,KRE4/B,KRG,KRG/A,KRG/B,KRM,KRMB,KRMG,KRS,KRS/A KRW,KR4,KR4/A,KR4/B,SJH,SJH/A,SMG,SMG/A
17	94001-05000	NUT, HEX., 5MM .....	1	-----	-----	KRAM,KRAM/A,KRE4,KRE4/A,KRE4/B,KRG,KRG/A,KRG/B,KRM,KRMB,KRMG,KRS,KRS/A KRW,KR4,KR4/A,KR4/B
18	94002-06000-0S	NUT, HEX., 6MM .....	2	-----	-----	KRE4,KRE4/A,KRE4/B,KRMB,KRW,KR4,KR4/A,KR4/B
19	94050-06000	NUT, FLANGE, 6MM .....	2	-----	-----	KRAM,KRAM/A,KRE4,KRE4/A,KRE4/B,KRG,KRG/A,KRG/B,KRM,KRMB,KRMG,KRS,KRS/A KRW,KR4,KR4/A,KR4/B,SJH,SJH/A,SMG,SMG/A
20	16500-Z0D-V70	CONTROL ASSY. (BOMAG) .....	1	-----	-----	KRAM,KRAM/A,KRG,KRG/A,KRG/B,KRMG
	16570-ZG0-810	CONTROL ASSY. (REMOTE) .....	1	-----	-----	SJH,SJH/A,SMG,SMG/A
21	16551-Z0D-010	ARM, GOVERNOR .....	1	-----	-----	SJH,SJH/A,SMG,SMG/A
22	16584-883-300	SPRING, CONTROL ADJUSTING ...	1	-----	-----	SJH,SJH/A,SMG,SMG/A
23	93500-05020-0A	SCREW, PAN, 5X20 .....	1	-----	-----	SJH,SJH/A,SMG,SMG/A





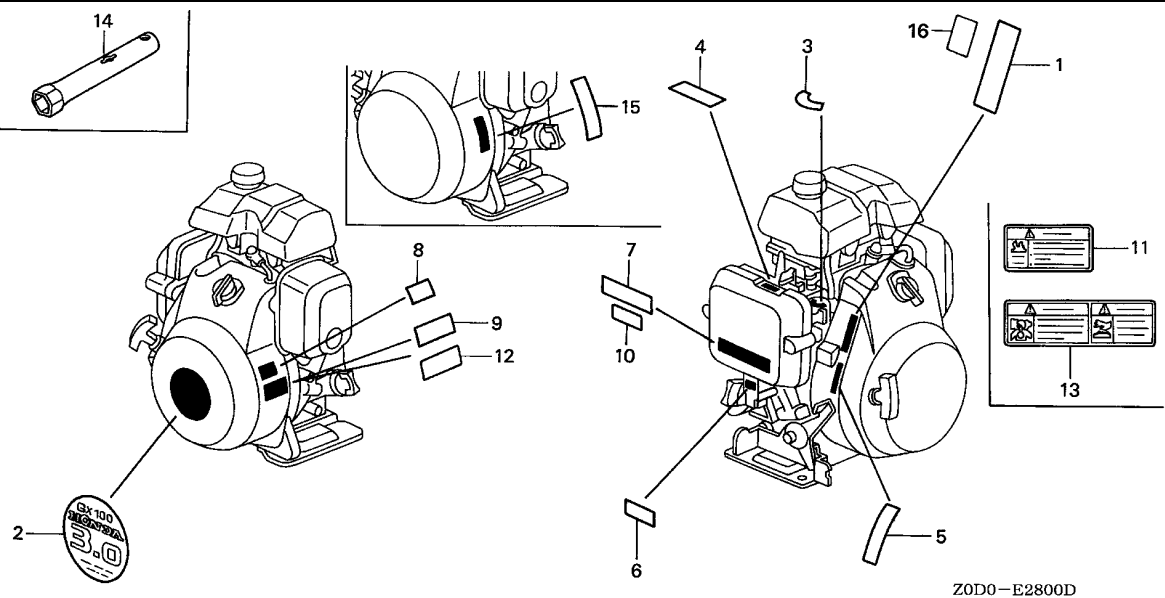
Z0D0-E2800D

Ref. No.	L.O.N.	(Relative ref. Number)	Description	F.R.T.
----------	--------	------------------------	-------------	--------

NO INFORMATION .....

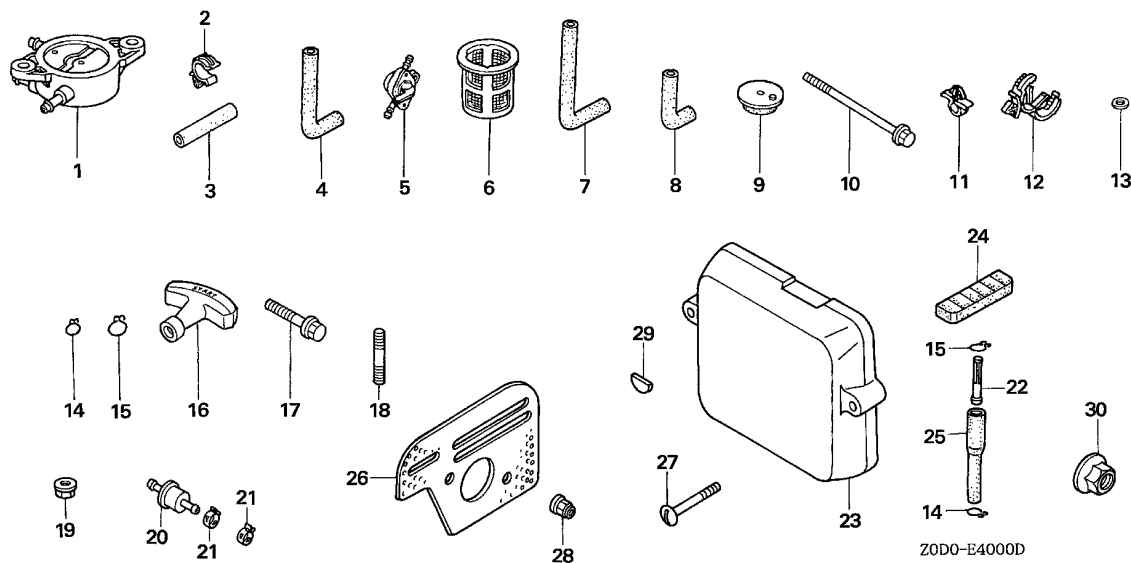
Ref. No.	Part No.	Description	Reqd. QTY	Serial No.	Parts catalogue code
1	87135-ZE2-010	LABEL, E-SPEC (EPA STANDARD)	1	-----	KR,KRB4,KRE,KRE4,KR4,QD,QE,SD,SE,SJ,VE4,WD,WJ
	87135-ZE2-020	LABEL, E-SPEC (15.5X27.5) ...	1	-----	1185929 KR/A,KRB4/A,KRE/A,KRE4/A,KR4/A,QD/A,QE/A,SD/A,SE/A,SJ/A,VE4/A,VSW,WD/A,WJ/A
			1	1185930	----- BE14,KR/B,KRBD,KRBD/A,KRB1,KRB1/A,KRE/B,QD/B,QE14,SD/B,SE14,SJ/B,SJH,SJH/A,SMG,SMG/A,VSW/A,WD/B,WJ/B
			1	1185930	----- KR/A,KRB4/A,KRE/A,KRE4/A,KR4/A,QD/A,QE/A,SD/A,SE/A,SJ/A,VE4/A,VSW,WD/A,WJ/A
2	87521-Z0D-000	EMBLEM (GX100) .....	1	-----	1321524 BE14/A,KRB4/B,KRE4/B,KR4/B,QE/B,QE14/A,SE/B,SE14/A,VE4/B
	87521-Z0D-010	.....	1	-----	1149133 QA2,QA26,QD,QE,SD,SE,SJ,VA2,VE4,WD,WJ
	87521-Z0D-010	.....	1	-----	1149133 QA2/A,QA26/A,QD/A,QE/A,SA2,SD/A,SE/A,SJ/A,VA2/A,VE4/A,WD/A,WJ/A
	87521-Z0D-010	.....	1	-----	1149133 QAD,QAD/A,QA2/B,QA26/B,QBE,QD/B,QE/B,QE14,QE14/A,QXU2,SA2/A,SD/B,SE/B,SE14,SE14/A,SJ/B,SJH,SJH/A,SMG,SMG/A,VA2/B,VE4/B,WD/B,WJ/B
	87521-Z0D-V00	EMBLEM (RAMMER) .....	1	-----	1149134 QA2/A,QA26/A,QD/A,QE/A,SA2,SD/A,SE/A,SJ/A,VA2/A,VE4/A,WD/A,WJ/A
	87521-Z0D-V01	.....	1	-----	1149107 KR,KRA2,KRB,KRB4,KRE,KRE4,KR4
			1	-----	1149107 KR/A,KRA2/A,KRB/A,KRB4/A,KRE/A,KRE4/A,KRS,KR4/A
			1	-----	1149108 BE14,BE14/A,KR/B,KRAM,KRAM/A,KRA2/B,KRB/B,KRBD,KRBD/A,KRBM,KRB1,KRB1/A,KRB4/B,KRE/B,KRE4/B,KRF2,KRG,KRG/A,KRG/B,KRM,KRMB,KRMG,KRS/A,KRS2,KRW,KRW2,KRW2/A,KR4/B,SE3,SE3/A,VEA,VEG,VE3,VE3/A
3	87528-ZG0-W40	MARK, COCK (EXTERNAL) .....	1	-----	1149108 KR/A,KRA2/A,KRB/A,KRB4/A,KRE/A,KRE4/A,KRS,KR4/A
			1	-----	1149108 BE14,BE14/A,QAD,QAD/A,QA2,QA2/A,QA2/B,QA26,QA26/A,QA26/B,QBE,QD,QD/A,QD/B,QE,QE/A,QE/B,QE14,QE14/A,QXU2,SA2,SA2/A,SD,SD/A,SD/B,SE,SE/A,SE/B,SE14,SE14/A,SE3,SE3/A,SJ,SJ/A,SJ/B,SJH,SJH/A,SMG,SMG/A,VA2,VA2/A,VA2/B,VEA,VEG,VE3,VE3/A,VE4,VE4/A,VE4/B,WD,WD/A,WD/B,WJ,WJ/A,WJ/B
4	87528-Z0D-000	MARK, CHOKE INDICATION .....	1	-----	1149108 BE14,BE14/A,QAD,QAD/A,QA2,QA2/A,QA2/B,QA26,QA26/A,QA26/B,QBE,QD,QD/A,QD/B,QE,QE/A,QE/B,QE14,QE14/A,QXU2,SA2,SA2/A,SD,SD/A,SD/B,SE,SE/A,SE/B,SE14,SE14/A,SE3,SE3/A,SJ,SJ/A,SJ/B,SJH,SJH/A,VEA,VEG,VE3,VE3/A,WD,WD/A,WD/B,WJ,WJ/A,WJ/B
5	87532-ZG0-W40	MARK, THROTTLE INDICATION ...	1	-----	1144539 KR2/B,KRS2

Ref. No.	Part No.	Description	Reqd. QTY		Serial No.	Parts catalogue code
			GX 100			
6	87601-ZM3-810	MARK, TYPE (SE) .....	1	-----	-----	SE,SE/A,SE/B
	87601-ZM3-830	MARK, TYPE (SJ) .....	1	-----	-----	SJ,SJ/A,SJ/B
	87601-ZM3-900	MARK, TYPE (SD) .....	1	-----	-----	SD,SD/A,SD/B
	87601-Z0D-800	MARK, TYPE (QD) .....	1	-----	-----	QD,QD/A,QD/B
	87601-Z0D-810	MARK, TYPE (WD) .....	1	-----	-----	WD,WD/A,WD/B
	87601-Z0D-820	MARK, TYPE (QE) .....	1	-----	-----	QE,QE/A,QE/B
	87601-Z0D-830	MARK, TYPE (QA2) .....	1	-----	-----	QA2,QA2/A,QA2/B
	87601-Z0D-840	MARK, TYPE (QA26) .....	1	-----	-----	QA26,QA26/A,QA26/B
	87601-Z0D-850	MARK, TYPE (WJ) .....	1	-----	-----	WJ,WJ/A,WJ/B
	87601-Z0D-860	MARK, TYPE (VE4) .....	1	-----	-----	VE4,VE4/A,VE4/B
	87601-Z0D-870	MARK, TYPE (VA2) .....	1	-----	-----	VA2,VA2/A,VA2/B
	87601-ZM3-720	MARK, TYPE (SA2) .....	1	-----	-----	SA2,SA2/A
	87601-Z0D-V00	MARK, TYPE (KR4) .....	1	-----	-----	KR4,KR4/A,KR4/B
	87601-Z0D-V10	MARK, TYPE (KRE4) .....	1	-----	-----	KRE4,KRE4/A,KRE4/B
	87601-Z0D-V20	MARK, TYPE (KR) .....	1	-----	-----	KR,KR/A,KR/B
	87601-Z0D-V30	MARK, TYPE (KRE) .....	1	-----	-----	KRE,KRE/A,KRE/B
	87601-Z0D-V40	MARK, TYPE (KRA2) .....	1	-----	-----	KRA2,KRA2/A,KRA2/B
	87601-ZM3-U40	MARK, TYPE (SMG) .....	1	-----	-----	SMG,SMG/A
	87601-Z0D-U10	MARK, TYPE (KRB4) .....	1	-----	-----	KRB4,KRB4/A,KRB4/B
	87601-Z0D-V50	MARK, TYPE (KRB) .....	1	-----	-----	KRB,KRB/A,KRB/B
	87601-Z0D-V70	MARK, TYPE (KRG) .....	1	-----	-----	KRG,KRG/A,KRG/B
	87601-Z0D-V80	MARK, TYPE (KRS) .....	1	-----	-----	KRS,KRS/A
	87601-Z0D-U00	MARK, TYPE (VSW) .....	1	-----	-----	VSW,VSW/A
	87601-Z0D-T60	MARK, TYPE (KRAM) .....	1	-----	-----	KRAM,KRAM/A
	87601-Z0D-U30	MARK, TYPE (KRB1) .....	1	-----	-----	KRB1,KRB1/A
	87601-Z0D-U40	MARK, TYPE (QAD) .....	1	-----	-----	QAD,QAD/A
	87601-Z0D-T00	MARK, TYPE (QE14) .....	1	-----	-----	QE14,QE14/A
	87601-Z0D-T10	MARK, TYPE (BE14) .....	1	-----	-----	BE14,BE14/A
	87601-Z0D-T30	MARK, TYPE (SE14) .....	1	-----	-----	SE14,SE14/A
	87601-Z0D-T40	MARK, TYPE (SE3) .....	1	-----	-----	SE3,SE3/A
	87601-Z0D-T50	MARK, TYPE (VE3) .....	1	-----	-----	VE3,VE3/A
	87601-Z0D-U50	MARK, TYPE (KRW2) .....	1	-----	-----	KRW2,KRW2/A
	87601-Z0D-U70	MARK, TYPE (SJH) .....	1	-----	-----	SJH,SJH/A
	87601-Z0D-U80	MARK, TYPE (KRBD) .....	1	-----	-----	KRBD,KRBD/A
	87601-Z0D-T70	MARK, TYPE (KRM) .....	1	-----	-----	KRM
	87601-Z0D-T80	MARK, TYPE (QBE) .....	1	-----	-----	QBE
	87601-Z0D-T90	MARK, TYPE (KRW) .....	1	-----	-----	KRW
	87601-Z0D-U90	MARK, TYPE (KRF2) .....	1	-----	-----	KRF2
	87601-Z0D-R00	MARK, TYPE (VSW4) .....	1	-----	-----	VSW4
	87601-Z0D-R10	MARK, TYPE (KRS2) .....	1	-----	-----	KRS2
	87601-Z0D-R20	MARK, TYPE (VEG) .....	1	-----	-----	VEG
	87601-Z0D-R40	MARK, TYPE (QXU2) .....	1	-----	-----	QXU2
	87601-Z0D-R50	MARK, TYPE (KRBM) .....	1	-----	-----	KRBM
	87601-Z0D-R30	MARK, TYPE (VEA) .....	1	-----	-----	VEA
	87601-Z0D-R70	MARK, TYPE (KRMG) .....	1	-----	-----	KRMG
	87601-Z0D-R80	MARK, TYPE (KRMB) .....	1	-----	-----	KRMB
7	87520-ZL8-810	MARK A, COMBINATION (J) .....	1	-----	-----	SJ,SJ/A,SJ/B,SJH,SJH/A,WJ,WJ/A,WJ/B
8	87539-737-J00	MARK, HEAT CAUTION .....	1	-----	-----	SJ,SJ/A,SJ/B,SJH,SJH/A,WJ,WJ/A,WJ/B
9	87561-733-J00	MARK, EX. GAS WARNING .....	1	-----	-----	SJ,SJ/A,SJ/B,SJH,SJH/A,WJ,WJ/A,WJ/B
10	87532-ZH8-810	MARK, OIL ALERT (EXTERNAL) ..	1	-----	-----	VE4,VE4/A,VE4/B
11	87106-737-J00	MARK, FUEL WARNING .....	1	-----	-----	KR,KR/A,KR/B,KRB1,KRB1/A,KRE,KRE/A,KRE/B
12	87150-ZH8-000	MARK, CAUTION (JAPANESE) .....	1	-----	-----	KR,KR/A,KR/B,KRB1,KRB1/A,KRE,KRE/A,KRE/B
13	87526-ZH8-000	MARK B, COMBINATION .....	1	-----	-----	KR,KR/A,KR/B,KRB1,KRB1/A,KRE,KRE/A,KRE/B



Z0D0-E2800D

Ref. No.	Part No.	Description	Reqd. QTY		Serial No.	Parts catalogue code
			GX	100		
14	89216-130-690	WRENCH, SPARK PLUG .....	1	-----	-----	KR, KR/A, KR/B, KRAM, KRAM/A, KRA2, KRA2/A, KRA2/B, KRB, KRB/A, KRB/B, KRBD, KRBD/A, KRBM, KRB1, KRB1/A, KRB4, KRB4/A, KRB4/B, KRE, KRE/A, KRE/B, KRF2, KRG, KRG/A, KRG/B, KRM, KRMG, KRS/A, KRS2, KRW, KRW2, KRW2/A, SA2, SA2/A, SJH, SJH/A, SMG, SMG/A, VEG, VSW, VSW/A, VSW4
15	87637-ZM3-800	MARK (C-TICK) .....	1	1219091	-----	KRS QD/A, QD/B, WD/A, WD/B
16	87114-ZH7-000	LABEL, WARNING (NOT CERTIFIED FOR SALE)	1	1418617	-----	KR/B, KRB1/A, KRE/B, QD/B, SD/B, SJ/B, SJH/A, SMG/A, VSW/A, WD/B, WJ/B

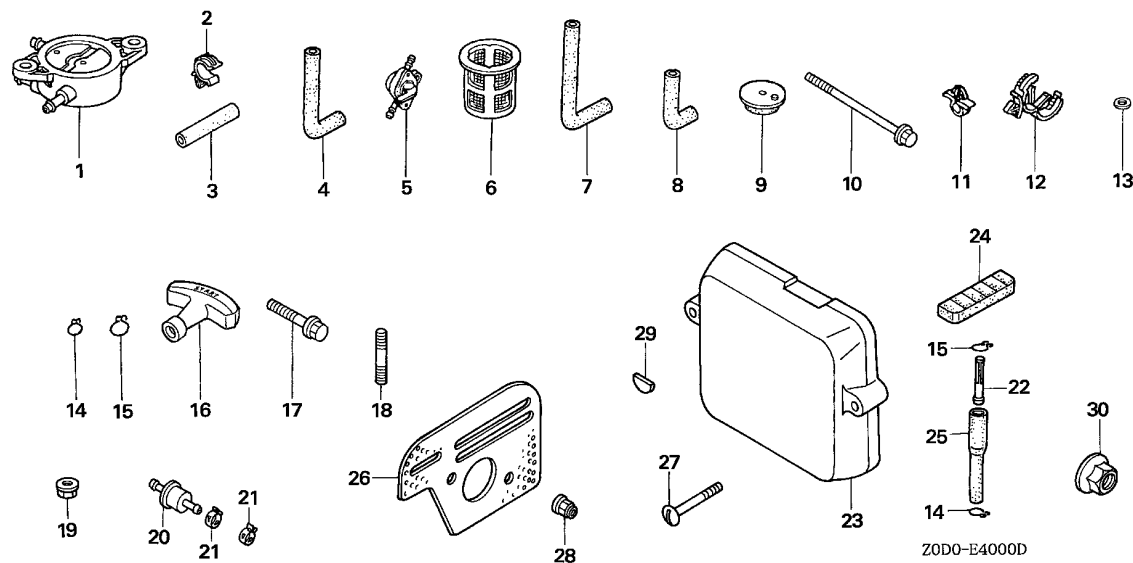


Ref. L.O.N. (Relative ref. Number) F.R.T.  
No. Description

NO INFORMATION .....

Ref. No.	Part No.	Description	Reqd. QTY	Serial No.	Parts catalogue code
			GX 100		
1	16700-ZL8-013	PUMP ASSY., FUEL .....	1	-----	VSW,VSW/A,VSW4
2	16731-ZE2-003	CLIP, TUBE .....	1	-----	VSW,VSW/A,VSW4
3	16854-ZH8-810	RUBBER, SUPPORTER (50MM) ....	1	-----	VSW,VSW/A,VSW4
4	16882-Z0D-U00	TUBE, DIAPHRAGM .....	1	-----	VSW,VSW/A,VSW4
5	16960-YA0-015	COCK ASSY., FUEL (DRAIN) ....	1	-----	VSW,VSW/A,VSW4
6	17670-ZC3-700	FILTER COMP., FUEL .....	1	-----	VSW,VSW/A,VSW4
7	17702-Z0D-U00	TUBE A, FUEL .....	1	-----	VSW,VSW/A,VSW4
8	17703-Z0D-U00	TUBE B, FUEL .....	1	-----	VSW,VSW/A,VSW4
9	60407-ZA7-000	RUBBER, BOTTOM .....	4	-----	VSW,VSW/A,VSW4
10	90015-ZG0-801	BOLT, FLANGE, 6X65 .....	1	-----	VSW,VSW/A,VSW4
11	90681-959-003	CLIP A, CABLE (NIFCO) .....	2	-----	1185929 VSW
			1	-----	VSW/A,VSW4
			1	1185930	----- VSW
12	90684-ZA0-601	CLIP, HARNESS .....	4	-----	VSW,VSW/A,VSW4
13	94103-08000	WASHER, PLAIN, 8MM .....	5	-----	1185929 VSW
			6	-----	VSW/A,VSW4
			6	1185930	----- VSW
14	95002-02080	CLIP, TUBE (B8) .....	2	-----	VSW,VSW/A,VSW4
15	95002-02100	CLIP, TUBE (B10) .....	2	-----	VSW,VSW/A,VSW4
16	28461-Z0D-003	GRIP, STARTER .....	1	-----	VSW/A,VSW4
			1	1185930	----- VSW
17	95701-08045-00	BOLT, FLANGE, 8X45 .....	3	-----	VSW/A,VSW4
			3	1185930	----- VSW
18	90001-ZK7-V00	BOLT, STUD, 10X32 .....	4	-----	KRS/A
			4	1219436	----- KRS



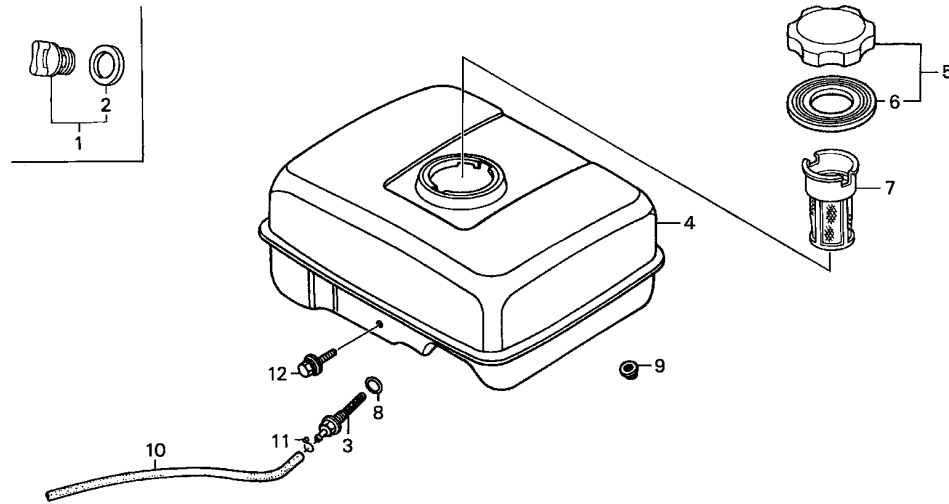


Ref. No.	Part No.	Description	Reqd. QTY		Serial No.	Parts catalogue code
			GX	100		
19	94050-10000	NUT, FLANGE, 10MM .....	4	-----	-----	KRS/A
20	16910-GB2-005	STRAINER COMP., FUEL .....	4	1219436	-----	KRS
			1	-----	-----	KRF2
21	95002-40850-08	CLAMP, TUBE (D8.5) .....	2	-----	-----	KRF2,KRMB
22	16952-ZE6-000	STRAINER, FUEL .....	1	-----	-----	VSW4
23	17231-Z0D-V61	COVER, AIR CLEANER .....	1	-----	-----	KRMG,KRS2
24	17533-ZM7-000	RUBBER B, TANK MOUNTING .....	2	-----	-----	VSW4
25	17701-Z0D-U00	TUBE, FUEL TANK .....	1	-----	-----	VSW4
26	18381-Z0D-000	GASKET, MUFFLER .....	1	-----	-----	KRMB,KRMG,VSW4
27	90011-Z0D-000	BOLT, AIR CLEANER COVER .....	2	-----	-----	KRMB,KRMG,KRS2
28	90343-ZE6-000	NUT, SELF-LOCK, 6MM .....	2	-----	-----	KRMB,KRMG,VSW4
29	90741-Z0D-V50	KEY, WOODRUFF, 13X12 .....	1	-----	-----	KRBM,KRS2
30	94050-12000	NUT, FLANGE, 12MM .....	1	-----	-----	KRMB,KRMG,KRS2

E-40-1

FUEL TANK

G 1



Z0D0-E4001

Ref. L.O.N. (Relative ref. Number) F.R.T.  
No. Description

NO INFORMATION .....

Ref. No.	Part No.	Description	Reqd. QTY	Serial No.	Parts catalogue code
			GX 100		
1	15600-ZG4-003	CAP ASSY., OIL FILLER .....	1	-----	SMG,SMG/A
2	15625-ZE1-003	PACKING, OIL FILLER CAP .....	1	-----	SMG,SMG/A
3	16955-ZE1-000	JOINT, FUEL TANK .....	1	-----	SMG,SMG/A
4	17510-ZE0-020ZA	TANK COMP., FUEL	1	-----	SMG,SMG/A
5	17620-Z0T-305	*NH31*.....MCKINLEY WHITE CAP COMP., FUEL FILLER (CHROME PLATED)	1	-----	SMG,SMG/A
6	17631-Z0T-812	PACKING, FUEL FILLER CAP (39X62X3)	1	-----	SMG,SMG/A
7	17672-ZE2-W01	FILTER, FUEL .....	1	-----	SMG,SMG/A
8	91353-671-004	O-RING, 14MM(NOK) .....	1	-----	SMG,SMG/A
9	94050-06000	NUT, FLANGE, 6MM .....	2	-----	SMG,SMG/A
10	95001-45180-40	TUBE, FUEL, 4.5X180 (95001-45001-60M)	1	-----	SMG,SMG/A
11	95002-02080	CLIP, TUBE (B8) .....	1	-----	SMG,SMG/A
12	95701-06014-00	BOLT, FLANGE, 6X14 .....	1	-----	SMG,SMG/A

2



# PART NO. INDEX

H 1

Part Number	Address	Page	Ref.	Part Number	Address	Page	Ref.	Part Number	Address	Page	Ref.	Part Number	Address	Page	Ref.				
11000				15572-ZM7-000	D1	21	9	16058-Z0D-V02	E7	43	28	F10	62	3	17231-Z0D-V61	E9	45	4	
11300-Z0D-405	D3	23	1	15600-ZG4-003	G1	69	1	16058-Z0D-V72	E7	43	28	16561-Z0D-000	F5	57	3	F16	68	23	
11300-Z0D-406	D3	23	1	15600-ZM7-003	D3	23	3	16059-Z0D-V02	E7	43	29	16561-Z0D-U00	F5	57	3	17274-ZT3-000	E10	46	5
11300-Z0D-407	D3	23	1	15625-ZE1-003	D4	24	4	16059-Z0D-V03	E7	43	29	16561-Z0D-V00	F8	60	4	17510-ZE0-020ZA	G1	69	4
11300-Z0D-409	D3	23	1		G1	69	2	16060-Z0D-V02	E7	43	30	F10	62	4	17511-ZM7-000	E15	51	2	
11300-Z0D-Q00	D3	23	1	15721-Z0D-000	D1	21	10	16061-Z0D-V02	E7	43	31	16561-Z0D-V20	F8	60	4	17511-ZM7-010	E15	51	2
11300-Z0D-Q10	D3	23	1	15721-Z0D-V00	D2	22	10	16100-Z0D-003	E1	37	9	F10	62	4	17532-Z0D-T00	F1	53	18	
11511-Z0D-V00	D5	25	22	15721-Z0D-V70	D2	22	10	16100-Z0D-013	E1	37	9	16562-Z0D-000	F5	57	4	17532-ZM7-000	E15	51	3
11511-Z0D-V10	D5	25	23					16100-Z0D-U01	E2	38	23	F10	62	5	17533-Z0D-T00	E15	51	4	
				16000				16100-Z0D-V02	E7	43	32	F8	60	5	17533-ZM7-000	E15	51	4	
								16100-Z0D-V03	E7	43	32	F10	62	5	F16	68	24		
12000				16010-Z0D-V02	E6	42	1	16100-Z0D-V04	E7	43	32	16562-Z0D-V20	F8	60	5	17561-Z0D-000	E15	51	5
12000-Z0D-405	D1	21	1	16010-Z0D-V21	E3	39	1	16100-Z0D-V21	E3	39	9	F10	62	5	17566-Z0D-000	E15	51	6	
12201-Z0D-305	D1	21	2	16010-ZG0-015	D16	36	1	16100-Z0D-V22	E3	39	9	16570-ZG0-800	F5	57	6	17566-Z0D-010	E16	52	6
12204-Z0D-Q00	D1	21	3	16010-ZM7-003	D16	36	1	16100-Z0D-V72	E7	43	32	16570-ZG0-810	F11	63	20	17566-Z0D-T01	F1	53	16
12209-KT7-013	D8	28	14	16011-Z0D-V02	E6	42	2	16100-Z0D-V73	E7	43	32	F5	57	5	17566-Z0D-T02	F1	53	16	
12311-Z0D-000	D1	21	5	16011-ZE0-005	D16	36	2	16100-Z0D-V74	E7	43	32	16571-ZG0-000	F5	57	7	17620-Z0T-305	G1	69	5
12351-Z0D-000	D3	23	2		E3	39	2	16124-ZE0-005	E1	37	10	16571-ZG0-810	F10	62	6	17620-ZL8-013	E16	52	7
12351-Z0D-T00	D3	23	2	16013-Z0D-V02	E6	42	3		E3	39	10	F6	58	8	17631-Z0T-812	G1	69	6	
12355-Z0D-000	D1	21	6	16013-ZG0-811	D16	36	3	16166-Z0D-003	E1	37	11	16572-ZG0-810	F10	62	7	17670-ZC3-700	F15	67	6
12365-Z0D-000	D1	21	7		E3	39	3		E3	39	11	16574-ZE1-000	F6	58	9	17672-ZE2-W01	G1	69	7
12365-Z0D-U00	D1	21	7	16014-Z0D-V02	E6	42	4	16199-Z0D-V21	E3	39	12	16575-Z0D-V70	F10	62	8	17701-Z0D-000	E16	52	8
				16015-Z0D-V21	E3	39	4	16211-Z0D-000	E1	37	12	16575-ZG0-000	F6	58	10	17701-Z0D-U00	E16	52	8
				16015-ZM7-003	D16	36	4		E4	40	13	16576-891-000	F6	58	11	F16	68	25	
13000					E3	39	4	16211-Z0D-V00	E7	43	33	16578-ZE1-000	F6	58	12	17702-Z0D-U00	F15	67	7
13010-Z0D-003	D7	27	1	16016-Z0D-V21	E3	39	5	16212-Z0D-000	E1	37	13	16581-Z0D-V80	F10	62	7	17703-Z0D-U00	F15	67	8
13101-Z0D-000	D7	27	2	16016-ZH7-W01	D16	36	5	16212-Z0D-V00	E8	44	34	16584-883-300	F6	58	13				
13111-ZE0-000	D7	27	3	16018-ZM3-004	E6	42	5	16212-Z0D-V20	E4	40	14	F11	63	22	18000				
13200-Z0D-000	D7	27	4	16019-ZM3-004	E6	42	6	16213-Z0D-V00	E8	44	35	16592-896-610	F10	62	8	18310-Z0D-V00	E14	50	1
13200-Z0D-305	D7	27	4	16022-ZM3-004	E6	42	7	16214-Z0D-V00	E8	44	36	16594-883-010	F8	60	6	18310-Z0D-V20	E14	50	1
13310-Z0D-000	D6	26	1	16022-ZM3-014	E6	42	7	16215-Z0D-V00	E8	44	37	16700-ZL8-013	F15	67	1	18310-ZM0-000	E12	48	1
13310-Z0D-600	D6	26	2	16023-Z0D-V02	E6	42	8	16221-Z0D-V00	E8	44	38	16731-ZE2-003	F15	67	2	18320-Z0M-780	E12	48	2
13310-Z0D-630	D6	26	3	16024-ZB9-005	D16	36	6	16221-ZG0-801	E1	37	14	16854-ZH8-810	F15	67	3	18321-Z0D-V00	E14	50	2
13310-Z0D-910	D6	26	4		E3	39	6		E4	40	15	16882-Z0D-U00	F15	67	4	18321-Z0D-V20	E14	50	2
13310-Z0D-T10	D6	26	11	16028-ZG0-811	E1	37	7	16500-Z0D-T00	F5	57	5	16910-GB2-005	F1	53	13	18321-ZL8-000	E12	48	2
13310-Z0D-V00	D6	26	9		E3	39	7	16500-Z0D-U00	F5	57	6	F16	68	20	18331-883-810	E13	49	12	
13310-Z0D-V70	D6	26	4	16028-ZW6-611	E3	39	7	16500-Z0D-V50	F9	61	16	16910-ZE8-015	F1	53	13	18348-ZL8-000	E12	48	3
13331-ZM7-000	F2	54	1	16030-ZM3-004	E6	42	9	16500-Z0D-V70	F11	63	20	16952-ZE6-000	E15	51	1	18350-ZL8-000	E13	49	9
				16040-Z0D-V02	E6	42	10	16500-ZG0-U01	F10	62	1	F16	68	22	18356-ZL8-000	E13	49	10	
				16041-Z0D-V02	E6	42	11	16500-ZG0-V90	F8	60	1	16953-Z0D-003	E1	37	15	18381-Z0D-000	E12	48	4
				16042-Z0D-V02	E6	42	12	16510-Z0D-U00	D4	24	5	16954-ZE1-812	E1	37	16	E14	50	3	
				16043-Z0D-V02	E6	42	13	16510-ZL8-000	D4	24	5	16955-ZE1-000	G1	69	3	F16	68	26	
14320-Z0D-000	D8	28	1	16044-Z0D-003	E1	37	8	16531-ZE1-000	D4	24	9	16956-ZE1-811	E1	37	17	18430-ZL8-000	E12	48	5
14320-Z0D-010	D8	28	1	16044-Z0D-V02	E7	43	14	16541-Z0D-000	D4	24	10	16957-ZE1-812	E1	37	18				
14324-Z0D-000	D8	28	2	16044-Z0D-V21	E3	39	8	16550-Z0D-V00	F10	62	2	16960-YA0-015	F15	67	5	19000			
14400-Z0D-003	D8	28	3	16045-Z0D-V02	E7	43	15	16550-Z0D-V01	F9	61	17								
14431-Z0D-000	D8	28	4	16046-Z0D-V02	E7	43	16		F10	62	2	17000				19052-MB4-880	F1	53	17
14441-Z0D-000	D8	28	5	16046-Z0D-V72	E7	43	16	16550-Z0D-V20	F8	60	2					19610-Z0D-000ZA	D14	34	1
14461-ZL8-000	D8	28	6	16048-Z0D-V02	E7	43	18		F10	62	2	17211-ZL8-003	E9	45	1	19610-Z0D-000ZB	D14	34	1
14711-Z0D-000	D8	28	7	16049-Z0D-V02	E7	43	19	16550-Z0D-V21	F8	60	2	17211-ZL8-013	E9	45	1	19610-Z0D-000ZC	D14	34	1
14721-Z0D-000	D8	28	8	16050-Z0D-V02	E7	43	20		F10	62	2	17218-Z0D-000	E9	45	2	19610-Z0D-800ZA	D14	34	1
14751-Z0D-000	D8	28	9	16051-Z0D-V02	E7	43	21	16551-Z0D-000	F5	57	1	17220-Z0D-000	E9	45	3	19610-Z0D-800ZB	D14	34	1
14771-ZM3-010	D8	28	10	16052-Z0D-V02	E7	43	22	16551-Z0D-010	F5	57	1	17220-Z0D-V00	E9	45	3	19610-Z0D-800ZC	D14	34	1
				16053-Z0D-V02	E7	43	23		F11	63	21	17220-Z0D-V20	E9	45	3	19610-Z0D-T00ZA	D14	34	1
				16054-Z0D-V02	E7	43	17	16555-Z0D-000	F5	57	2	17228-Z0D-V01	E10	46	8	19610-Z0D-V00ZA	D14	34	1
									F10	62	3	17228-Z0D-V21	E10	46	5	19610-Z0D-V00ZB	D14	34	1
15171-Z0D-V00	D2	22	15	16055-Z0D-V02	E7	43	25	16555-Z0D-V00	F8	60	3	17231-Z0D-000	E9	45	4	19610-Z0D-V00ZC	D14	34	1
15571-Z0D-V71	D1	21	8	16056-Z0D-V02	E7	43	26		F10	62	3	17231-Z0D-V60	E9	45	4				
15571-ZM7-003	D1	21	8	16057-Z0D-V02	E7	43	27	16555-Z0D-V20	F8	60	3								



# PART NO. INDEX

**H 3**

Part Number	Address	Page	Ref.	Part Number	Address	Page	Ref.	Part Number	Address	Page	Ref.	Part Number	Address	Page	Ref.
95002-70000	E16	52	12												
95003-05010-31	E2	38	20												
	E4	40	19												
95003-05025-31	E2	38	20												
95003-36021-20	E8	44	39												
95701-06008-00	D13	33	13												
	F4	56	10												
95701-06014-00	G1	69	12												
95701-08018-00	D5	25	20												
95701-08025-00	D5	25	20												
95701-08040-00	D5	25	27												
95701-08045-00	D5	25	27												
	F15	67	17												
96000															
96100-62040-00	D5	25	21												
	D6	26	6												
98000															
98056-55757	D2	22	14												
98056-55777	D2	22	14												
99000															
99101-Z0D-0500	E8	44	41												
99101-Z0D-0520	E8	44	41												
99101-Z0D-0540	E8	44	41												
99101-ZG0-0550	E2	38	21												
	E4	40	20												
99101-ZG0-0580	E2	38	21												
	E5	41	20												
99101-ZG0-0600	E2	38	21												
	E4	40	20												
99204-ZE0-0350	E5	41	21												
99204-ZE2-0350	E2	38	22												

3

# PART NAME INDEX

Part name	Address	Page	Ref.	Part name	Address	Page	Ref.	Part name	Address	Page	Ref.
[ A ]											
ALERT UNIT, OIL .....	F4	56	3	BOLT, RECESSED, 5X20 .....	F7	59	17	CONTROL ASSY. ....	F5	57	5
ARM COMP., GOVERNOR .....	F8	60	2		F9	61	11		F8	60	1
	F9	61	17	BOLT, STUD .....	F11	63	15		F9	61	16
	F10	62	2	BOLT, STUD, 10X32 .....	E10	46	9		F10	62	1
ARM, EX. VALVE ROCKER .....	D8	28	5	BOLT, STUD, 5X75 .....	E10	46	10	CONTROL COMP. ....	F11	63	20
ARM, GOVERNOR .....	F5	57	1	BOLT, STUD, 5X85 .....	E10	46	10	CORD, STOP SWITCH .....	F2	54	6
	F11	63	21	BOLT, STUD, 5X91 .....	E10	46	10		F4	56	2
ARM, IN. VALVE ROCKER .....	D8	28	4	BOLT, STUD, 6X78 .....	E14	50	5	COVER ASSY., CRANKCASE .....	D3	23	1
ARRESTER COMP., SPARK .....	E13	49	9	BOLT, STUD, 6X90 .....	E14	50	5	COVER COMP. A, BREATHER .....	D1	21	6
				BOLT, STUD, 8X25 .....	D5	25	25	COVER COMP. B, BREATHER .....	D1	21	7
[ B ]				[ C ]							
BALL .....	E7	43	27	CAP ASSY., FUEL TANK .....	E16	52	7	COVER COMP., FAN .....	D14	34	1
BARREL ASSY., CYLINDER .....	D1	21	1	CAP ASSY., OIL FILLER .....	D3	23	3	COVER, AIR CLEANER .....	E9	45	4
BASE COMP., CONTROL .....	F6	58	8		D3	23	3		F16	68	23
	F10	62	7	CAP COMP., FUEL FILLER .....	G1	69	1	COVER, HEAD .....	D1	21	5
BASE, CONTROL .....	F10	62	7	CAP, MUFFLER .....	G1	69	5	COVER, METERING DIAPHRAGM .....	E6	42	13
BEARING, RADIAL BALL, 6204 ...	D5	25	21		E12	48	3	COVER, PUMP .....	E6	42	10
	D6	26	6	CARBURETOR ASSY. ....	E13	49	12	CRANKSHAFT COMP. ....	D6	26	1
BEARING, RADIAL BALL, 6204C ..	D6	26	6		E13	49	12				
BED, ENGINE .....	D3	23	2		E1	37	9				
BELT, TIMING .....	D8	28	3		E2	38	23				
BOLT-WASHER, 10X40 .....	D5	25	28		E3	39	9				
BOLT, 4X10 .....	D2	22	16		E7	43	32				
BOLT, AIR CLEANER COVER .....	E10	46	7	CASE COMP., AIR CLEANER .....	E9	45	3				
	F16	68	27	CASE COMP., RECOIL STARTER .....	D11	31	2				
BOLT, CABLE ADJUSTING .....	F8	60	7	CHAMBER SET, FLOAT .....	D16	36	4	[ D ]			
	F11	63	10		E3	39	4	DEFLECTOR COMP., MUFFLER .....	E12	48	5
BOLT, CONNECTING ROD .....	D7	27	5	CHOKE SET .....	E1	37	8	DIAPHRAGM ASSY., METERING .....	E6	42	3
BOLT, DRAIN PLUG .....	D4	24	12	CIRCLIP, 5MM .....	F8	60	10	DIAPHRAGM, PUMP .....	E6	42	4
BOLT, FLANGE, 5X77 .....	E10	46	6		F11	63	13	DOWEL PIN, 6X10 .....	D5	25	26
BOLT, FLANGE, 6MM .....	D10	30	4	CLAMP, TUBE .....	E4	40	18	DOWEL PIN, 8X20 .....	D5	25	19
BOLT, FLANGE, 6X14 .....	D2	22	11		E8	44	40	[ E ]			
	D15	35	3		F1	53	14	ELEMENT, AIR CLEANER .....	E9	45	1
	E12	48	7	CLIP A, CABLE .....	F16	68	21	EMBLEM .....	F12	64	2
	E14	50	4		F4	56	7	[ F ]			
	F4	56	5	CLIP B, CABLE .....	F15	67	11	FILTER COMP., FUEL .....	F15	67	6
				CLIP, CABLE, 6MM .....	F4	56	8	FILTER, FUEL .....	G1	69	7
	F6	58	14	CLIP, GOVERNOR HOLDER .....	F4	56	8	FILTER, OUTER .....	E9	45	2
	F8	60	8	CLIP, HARNESS .....	D5	25	15	FLANGE, P.T.O. ....	D5	25	22
	F11	63	11	CLIP, HIGH TENSION CORD .....	F15	67	12				
BOLT, FLANGE, 6X20 .....	G1	69	12	CLIP, PISTON PIN, 13MM .....	F2	54	5	FLOAT SET .....	D16	36	3
BOLT, FLANGE, 6X25 .....	F2	54	7	CLIP, THROTTLE SHAFT .....	D7	27	6		E3	39	3
BOLT, FLANGE, 6X65 .....	D4	24	11	CLIP, TUBE .....	E7	43	23	FLYWHEEL COMP. ....	F2	54	4
BOLT, FLANGE, 6X79 .....	F15	67	10		E16	52	11				
BOLT, FLANGE, 6X79 .....	E12	48	6								
BOLT, FLANGE, 6X8 .....	D13	33	13		F1	53	12				
	F4	56	10		F15	67	2				
BOLT, FLANGE, 8X18 .....	D5	25	20								
BOLT, FLANGE, 8X25 .....	D5	25	20								
BOLT, FLANGE, 8X40 .....	D5	25	27	CLIP, WIRE HARNESS, 10MM .....	G1	69	11				
BOLT, FLANGE, 8X45 .....	D5	25	27	COCK ASSY., FUEL .....	F4	56	6	GASKET SET .....	D16	36	1
	F15	67	17	COIL ASSY., IGNITION .....	F15	67	5		E3	39	1
BOLT, GOVERNOR ARM .....	F6	58	15		F2	54	2	GASKET, METERING DIAPHRAGM .....	E6	42	1
	F8	60	9	COLLAR, CANISTER MOUNTING .....	F3	55	11	GASKET, MUFFLER .....	E12	48	4
	F11	63	12		F3	55	11		E14	50	3
BOLT, HEX., 6X18 .....	D6	26	8	COLLAR, CONTROL LEVER .....	F1	53	17		F16	68	26
				COLLAR, IGNITION COIL SETTING .....	F11	63	14	GASKET, PUMP .....	E6	42	2
					E16	52	9	GOVERNOR ASSY. ....	D4	24	5



# PART NAME INDEX

Part name	Address	Page	Ref.	Part name	Address	Page	Ref.	Part name	Address	Page	Ref.
GRIP, STARTER .....	D10	30	2	[ M ]				PACKING, FUEL COCK.....	E1	37	18
	D12	32	8					PACKING, FUEL FILLER CAP.....	G1	69	6
	F15	67	16	MARK .....	F14	66	15	PACKING, INSULATOR.....	E1	37	13
GROMMET, CORD .....	F2	54	3	MARK A, COMBINATION .....	F13	65	7		E4	40	14
GROMMET, DRAIN HOLE .....	D15	35	4	MARK B, COMBINATION .....	F13	65	13		E8	44	34
GUIDE ASSY., EX. VALVE .....	D1	21	2	MARK, CAUTION .....	F13	65	12	PACKING, OIL FILLER CAP.....	D4	24	4
GUIDE, IN. VALVE .....	D1	21	3	MARK, CHOKE INDICATION .....	F12	64	4		G1	69	2
GUIDE, RATCHET .....	D12	32	5	MARK, COCK .....	F12	64	3	PIN, LOCK, 8MM.....	D5	25	18
				MARK, EX. GAS WARNING .....	F13	65	9	PIN, METERING LEVER.....	E6	42	7
[ H ]				MARK, FUEL WARNING .....	F13	65	11	PIN, PISTON.....	D7	27	3
HOLDER, CABLE .....	F6	58	11	MARK, HEAT CAUTION .....	F13	65	8	PIPE, BREATHER.....	D2	22	15
HOLDER, WIRE .....	F8	60	6	MARK, OIL ALERT .....	F13	65	10	PISTON.....	D7	27	2
	F11	63	9	MARK, THROTTLE INDICATION.....	F12	64	5	PLATE, ARRESTER NUMBER.....	E13	49	10
HOSE, FUEL, 4.5X100 .....	F1	53	15	MARK, TYPE .....	F13	65	6	PLATE, INSULATOR.....	E8	44	37
HOSE, FUEL, 4.5X120 .....	E8	44	39	MUFFLER COMP. ....	E12	48	1	PLATE, LEVER SETTING.....	E1	37	16
HOSE, FUEL, 4.5X270 .....	E4	40	17		E14	50	1	PLATE, SIDE.....	D12	32	10
HOSE, FUEL, 4.5X310 .....	E4	40	17	[ N ]				PLATE, SLIDE.....	D13	33	11
	F1	53	15	NOZZLE, MAIN .....	E1	37	11	PLATE, STOPPER.....	D1	21	9
HOSE, FUEL, 4.5X40 .....	F1	53	15		E3	39	11	PLUG, SPARK.....	D2	22	14
HOSE, FUEL, 4.5X400 .....	E4	40	17	NUT, FLANGE, 10MM.....	F16	68	19	PROTECTOR COMP., MUFFLER.....	E12	48	2
HOSE, FUEL, 4.5X50 .....	F1	53	15	NUT, FLANGE, 12MM.....	F3	55	9	PROTECTOR, MUFFLER.....	E12	48	2
					F16	68	30		E14	50	2
[ I ]				NUT, FLANGE, 5MM.....	E11	47	11	PULLEY COMP., CAMSHAFT.....	D8	28	1
INSULATOR B, CARBURETOR .....	E8	44	35	NUT, FLANGE, 6MM.....	E11	47	12	PULLEY, STARTER.....	F3	55	10
INSULATOR, CARBURETOR .....	E1	37	12		E16	52	10	PUMP ASSY., FUEL.....	F15	67	1
	E4	40	13		F7	59	19				
	E7	43	33		F9	61	15	[ R ]			
					F11	63	19	RATCHET, STARTER.....	D12	32	4
[ J ]					G1	69	9	REEL, RECOIL STARTER.....	D11	31	3
JET .....	E8	44	41	NUT, HEX., 12MM .....	D6	26	10	RETAINER, VALVE SPRING.....	D8	28	10
JET SET, PILOT, .....	E2	38	22	NUT, HEX., 5MM .....	F9	61	13	RING SET, PISTON.....	D7	27	1
	E5	41	21		F11	63	17	ROD ASSY., CONNECTING.....	D7	27	4
JET, MAIN, .....	E2	38	21	NUT, HEX., 6MM .....	F9	61	14	ROD, GOVERNOR.....	F5	57	2
	E4	40	20		F11	63	18		F8	60	3
	E5	41	20	NUT, SELF-LOCK, 6MM .....	E14	50	6		F10	62	3
JOINT, FUEL TANK .....	G1	69	3		F1	53	19	ROPE, RECOIL STARTER.....	D12	32	9
				NUT, TAPPET ADJUSTING.....	F16	68	28	ROPE, STARTER.....	D10	30	3
					D8	28	12	RUBBER A, TANK MOUNTING.....	E15	51	3
[ K ]									F1	53	18
KEY, 4.78X4.78X38 .....	D6	26	5	[ O ]				RUBBER B, TANK MOUNTING.....	E15	51	4
KEY, 5X5X33 .....	D6	26	5	OIL SEAL, 20X32X6.....	D2	22	12		F16	68	24
KEY, SPECIAL .....	F2	54	1		D5	25	16	RUBBER, BOTTOM.....	F15	67	9
KEY, WOODRUFF, 13X12 .....	D6	26	5	OIL SEAL, 6X11X4 .....	D5	25	24	RUBBER, SUPPORTER.....	F15	67	3
	F16	68	29	O-RING, 11.8X2.4 .....	F4	56	9				
				O-RING, 14MM .....	G1	69	8	[ S ]			
				O-RING, 6.8X1.9 .....	D8	28	13	SCREEN, INLET.....	E6	42	5
[ L ]								SCREW.....	E6	42	11
LABEL, E-SPEC .....	F12	64	1	[ P ]					E7	43	14
LABEL, WARNING .....	F14	66	16	PACKING B, INSULATOR .....	E8	44	36				30
LEVER SET, CHOKE .....	E3	39	8	PACKING, AIR CLEANER .....	E10	46	5	SCREW-WASHER, 4X12.....	E4	40	16
LEVER, COCK .....	E1	37	15					SCREW ASSY. ....	E7	43	25
LEVER, CONTROL .....	F5	57	7	PACKING, AIR INTAKE JOINT.....	E10	46	5	SCREW SET.....	E1	37	7
	F10	62	6		E1	37	14		E3	39	5
LEVER, METERING .....	E6	42	8	PACKING, CARBURETOR .....	E1	37	14	SCREW SET, DRAIN.....	D16	36	6
LEVER, THROTTLE .....	E7	43	16		E4	40	15		E3	39	6
					E8	44	38	SCREW SET, PILOT.....	D16	36	5

# PART NAME INDEX

Part name	Address	Page	Ref.	Part name	Address	Page	Ref.	Part name	Address	Page	Ref.
SCREW, IDLE ADJUSTING .....	E7	43	19	SWITCH ASSY., OIL LEVEL .....	F4	56	4				
SCREW, PAN, 3X5 .....	D2	22	13								
SCREW, PAN, 3X6 .....	E1	37	19	[ T ]							
SCREW, PAN, 4X6 .....	F9	61	12								
	F11	63	16	TANK COMP., FUEL .....	G1	69	4				
SCREW, PAN, 5X16 .....	F7	59	16	TANK, FUEL .....	E15	51	2				
SCREW, PAN, 5X20 .....	F7	59	17	TERMINAL ASSY., HIGH TENSION ..	F3	55	12				
	F11	63	23	TUBE A, FUEL .....	F15	67	7				
SCREW, PAN, 5X25 .....	F7	59	18	TUBE B, FUEL .....	F15	67	8				
SCREW, SETTING .....	D13	33	12	TUBE, AIR VENT .....	E3	39	12				
SCREW, TAPPET ADJUSTING .....	D8	28	11	TUBE, BREATHER .....	D1	21	10				
SCREW, TAPPING, 4X6 .....	E13	49	8		D2	22	10				
			11	TUBE, DIAPHRAGM .....	F15	67	4				
SCREW, THROTTLE STOP .....	E1	37	10	TUBE, FUEL .....	E16	52	8				
	E3	39	10	TUBE, FUEL TANK .....	E16	52	8				
SCREW, VALVE .....	E7	43	17		F16	68	25				
			24	TUBE, FUEL, 4.5X180 .....	G1	69	10				
SEAL, DUST .....	E7	43	31	TUBE, FUEL, 4.5X210 .....	E4	40	17				
SEAL, VALVE STEM .....	D8	28	14	TUBE, FUEL, 4.5X80 .....	F1	53	15				
SHAFT ASSY., CHOKE .....	E7	43	28	TUBE, VINYL, 11X13X210 .....	E8	44	39				
SHAFT, CAM PULLEY .....	D8	28	2	TUBE, VINYL, 3.5X6.5X100 .....	E2	38	20				
SHAFT, GOVERNOR ARM .....	D4	24	10		E4	40	19				
SHAFT, ROCKER ARM .....	D8	28	6	TUBE, VINYL, 3.5X6.5X250 .....	E2	38	20				
SHAFT, THROTTLE .....	E7	43	22								
SLIDER, GOVERNOR .....	D4	24	9	[ V ]							
SPACER, CONTROL LEVER .....	F6	58	12	VALVE SET, FLOAT .....	D16	36	2				
SPACER, THROTTLE LEVER .....	E7	43	18		E3	39	2				
SPRING .....	E6	42	12	VALVE, CHOKE .....	E7	43	29				
	E7	43	20	VALVE, EX. ....	D8	28	8				
			26	VALVE, INLET NEEDLE .....	E6	42	6				
SPRING, COCK LEVER .....	E1	37	17	VALVE, IN. ....	D8	28	7				
SPRING, CONTROL ADJUSTING .....	F6	58	13	VALVE, OIL OUTLET .....	D1	21	8				
	F11	63	22	VALVE, THROTTLE .....	E7	43	21				
SPRING, CONTROL LEVER RETURN ..	F10	62	8								
SPRING, FRICTION .....	D12	32	6	[ W ]							
SPRING, GOVERNOR .....	F5	57	3								
	F8	60	4	WASHER, 12MM .....	F3	55	8				
	F10	62	4	WASHER, 6MM .....	D6	26	7				
SPRING, LEVER .....	F6	58	9	WASHER, CONTROL LEVER .....	F6	58	10				
SPRING, PUMP .....	E6	42	9	WASHER, DRAIN PLUG, 10.2MM .....	D5	25	14				
SPRING, RECOIL STARTER .....	D12	32	7	WASHER, PLAIN, 15MM .....	F1	53	20				
SPRING, RETURN .....	F10	62	8	WASHER, PLAIN, 6MM .....	D5	25	17				
SPRING, THROTTLE RETURN .....	F5	57	4	WASHER, PLAIN, 8MM .....	F15	67	13				
	F8	60	5	WASHER, THRUST, 6MM .....	D5	25	13				
	F10	62	5	WRENCH, SPARK PLUG .....	F14	66	14				
SPRING, VALVE .....	D8	28	9								
STARTER ASSY., RECOIL .....	D10	30	1								
	D11	31	1								
STAY A, FUEL TANK .....	E15	51	5								
STAY B, FUEL TANK .....	E15	51	6								
	E16	52	6								
	F1	53	16								
STOPPER, THROTTLE LEVER .....	E7	43	15								
STRAINER COMP., FUEL .....	F1	53	13								
	F16	68	20								
STRAINER, FUEL .....	E15	51	1								
	F16	68	22								
SWITCH ASSY., ENGINE STOP .....	D14	34	2								
	D15	35	2								

---

**1**

**FOREWORD INDEX**

---

**2**

**ENGINE GROUP**

---

**3**

**PART NUMBER INDEX**

---

**4**

**PART NAME INDEX**

---





**HONDA**  
The Power of Dreams



# PARTS CATALOGUE NEWS

Honda Motor Co., Ltd. Service Division

## PARTS CATALOGUE - CORRECTED

Printed in Japan

CODE NO.	BOOKLET TYPE	13Z0D0E3
	MICRO-FICHE	13Z0D0EC/FC
PARTS CATALOGUE TITLE	GX100	
NEWS NO.	001	

Block No.	Ref. No.	Note	Part No.	Description	Reqd. QTY		Serial No.	Parts catalogue code
						GX 100		
E-12	2	L	36100-ZE1-015	SWITCH ASSY., ENGINE STOP . . . .	1			KR, KR/A, KR/B, KRA2, KRA2/A, KRB, KRB/A, KRB/B, KRBM, KRB1, KRB1/A, KRE, KRE/A, KRE/B, KRF2, KRMB, KRW2, KRW2/A, QAD, QAD/A, QA2, QA2/A, QA26, QA26/A, QA26/B, QD, QD/A, QD/B, QXU2, SA2, SA2/A, SD, SD/A, SD/B, SJ, SJ/A, SJ/B, SJH, SJH/A, SMG, SMG/A, VA2, VA2/A, VA2/B, WD, WD/A, WD/B, WJ, WJ/A, WJ/B
					1		1444538	KRA2/B, QA2/B
		T	35120-Z0D-V81	.....	1			KRAM, KRAM/A, KRBD, KRBD/A, KRM, KRS, KRS/A, KRW, QBE, SE3, SE3/A, VEA, VEG, VE3, VE3/A
					1		1444539	KRA2/B, QA2/B

NOTE A:PART NO. CHANGE D:NEWLY PROVIDED E:PART NO.DELETION K:REQUIRED NO. CORRECTION L:APPLICATION SERIAL NO. CORRECTION  
T:APPLICATION CORRECTION Z:REMARKS CHANGE

June 12, 2005



# PARTS CATALOGUE NEWS

Honda Motor Co., Ltd. Service Division

## PARTS CATALOGUE - CORRECTED

Printed in Japan

CODE NO.	BOOKLET TYPE	13Z0D0E3
	MICRO-FICHE	13Z0D0EC/FC
PARTS CATALOGUE TITLE	GX100	
NEWS NO.	002	

Block No.	Ref. No.	Note	Part No.	Description	Reqd. QTY	Serial No.	Parts catalogue code
E-22-2	20	D	16500-Z0D-V80	CONTROL ASSY. ....	1 GX 100	-----	KRM, KRS, KRS/A

NOTE A:PART NO. CHANGE D:NEWLY PROVIDED E:PART NO.DELETION K:REQUIRED NO. CORRECTION L:APPLICATION SERIAL NO. CORRECTION  
T:APPLICATION CORRECTION Z:REMARKS CHANGE



# PARTS CATALOGUE NEWS

Honda Motor Co., Ltd. Service Division

## PARTS CATALOGUE - CORRECTED

Printed in Japan

CODE NO.	BOOKLET TYPE	13Z0D0E3
	MICRO-FICHE	13Z0D0EC/FC
PARTS CATALOGUE TITLE	GX100	
NEWS NO.	003	

Block No.	Ref. No.	Note	Part No.	Description	Reqd. QTY	Serial No.	Parts catalogue code		
					GX 100				
E-14-2	16		16046-Z0D-V02	LEVER, THROTTLE .....	1	-----	KRE4, KRE4/A, KR4, KR4/A		
				(CARBURETOR NO.)	1	-----	HDA201C	KRBM, KRE4/B, KRF2, KRM, KRMB, KRW, KR4/B	
			A	16046-Z0D-V03	.....	1	HDA201D	-----	KRBM, KRE4/B, KRF2, KRM, KRMB, KRW, KR4/B
				16046-Z0D-V72	.....	1	-----	-----	KRAM, KRG, KRG/A
				(CARBURETOR NO.)	.....	1	-----	HDA206B	KRAM/A, KRG/B, KRMG
A	16046-Z0D-V73	.....	1	HDA206C	-----	KRAM/A, KRG/B, KRMG			
				(CARBURETOR NO.)	1				

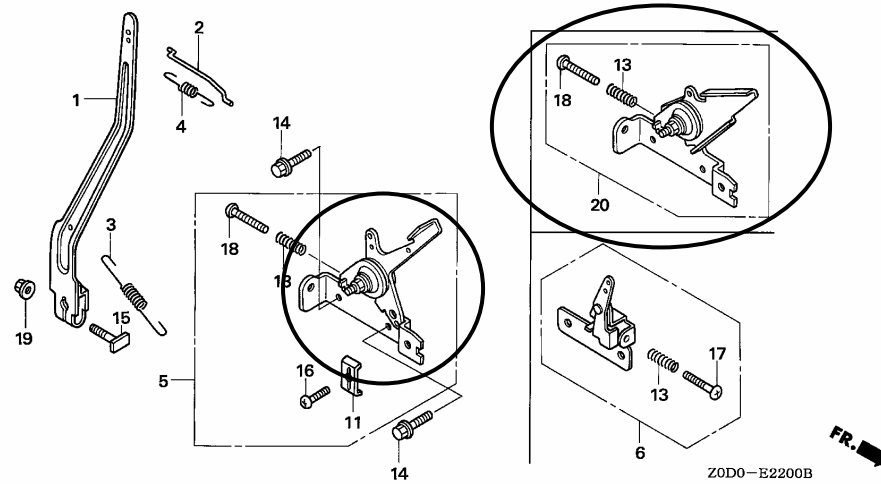
NOTE A:PART NO. CHANGE D:NEWLY PROVIDED E:PART NO.DELETION K:REQUIRED NO. CORRECTION L:APPLICATION SERIAL NO. CORRECTION  
T:APPLICATION CORRECTION Z:REMARKS CHANGE

PARTS CATALOGUE NEWS

BOOKNo. : 13ZOD0E3

Block No.	Ref. No.	Note	Part No.	Description	Reqd. QTY	Serial No.	Parts catalogue code
					GX 100		

E-22 CONTROL (STANDARD)



E-22	5	E	16500-ZOD-T00	*PARTS NO. DELETION			
	7	E	16571-ZGO-000	*PARTS NO. DELETION			
	8	E	16572-ZGO-000	*PARTS NO. DELETION			
	9	E	16574-ZE1-000	*PARTS NO. DELETION			
	10	E	16575-ZGO-000	*PARTS NO. DELETION			
	12	E	16578-ZE1-000	*PARTS NO. DELETION			
	19	K	94050-06000	NUT, FLANGE, 6MM .....	1	-----	-----
							BE14, BE14/A, QAD, QAD/A, QA2, QA2/A, QA2/B, QA26, QA26/A, QA26/B, QBE, QD, QD/A, QD/B, QE, QE/A, QE/B, QE14, QE14/A, QXU2, SA2, SA2/A, SD, SD/A, SD/B, SE, SE/A, SE/B, SE14, SE14/A, SE3, SE3/A, SJ, SJ/A, SJ/B, VA2, VA2/A, VA2/B, VEA, VEG, VE3, VE3/A, VE4, VE4/A, VE4/B, VSW, VSW/A, VSW4, WD, WD/A, WD/B, WJ, WJ/A, WJ/B
	20	D	16500-ZOD-T00	CONTROL ASSY. ....	1	-----	-----
							BE14, BE14/A, SE3, SE3/A, VEA, VEG, VE3, VE3/A

NOTE A:PART NO. CHANGE D:NEWLY PROVIDED E:PART NO.DELETION K:REQUIRED NO. CORRECTION L:APPLICATION SERIAL NO. CORRECTION  
T:APPLICATION CORRECTION Z:REMARKS CHANGE



# PARTS CATALOGUE NEWS

Honda Motor Co., Ltd. Service Division

## PARTS CATALOGUE - CORRECTED

Printed in Japan

CODE NO.	BOOKLET TYPE	13Z0D0E3
	MICRO-FICHE	13Z0D0EC/FC
PARTS CATALOGUE TITLE	GX100	
NEWS NO.	004	

Block No.	Ref. No.	Note	Part No.	Description	Reqd. QTY	Serial No.	Parts catalogue code	
					GX 100			
E-14-2	32		16100-Z0D-V04	CARBURETOR ASSY. (HDA 201C) ..	1	----- 1563055	KRBM, KRMB	
					1	1432703 1563055	KRE4/B, KRF2, KRM, KRW, KR4/B	
			A	16100-Z0D-V05	CARBURETOR ASSY. (HDA 201D) ..	1	1563056 -----	KRBM, KRE4/B, KRF2, KRM, KRMB, KRW, KR4/B
E-15	1	T	17211-ZL8-003	ELEMENT, AIR CLEANER .....	1	-----	BE14, KR, KR/A, KRA2, KRA2/A, KRB, KRB/A, KRBD, KRB1, KRB4, KRB4/A, KRE, KRE/A, KRE4, KRE4/A, KRS, KRW2, KR4, KR4/A, QAD, QA2, QA2/A, QA26, QA26/A, QD, QD/A, QE, QE/A, QE14, SA2, SD, SD/A, SE, SE/A, SE14, SE3, SJ, SJ/A, SJH, SMG, VA2, VA2/A, VE3, VE4, VE4/A, VSW, WD, WD/A, WJ, WJ/A	
			T	17211-ZL8-013	.....	1	----- 1563055	BE14/A, KR/B, KRA2/B, KRB/B, KRBD/A, KRBM, KRB1/A, KRB4/B, KRE/B, KRE4/B, KRF2, KRM, KRMB, KRMG, KRS/A, KRS2, KRW, KRW2/A, KR4/B, QAD/A, QA2/B, QA26/B, QBE, QD/B, QE/B, QE14/A, QXU2, SA2/A, SD/B, SE/B, SE14/A, SE3/A, SJ/B, SJH/A, SMG/A, VA2/B, VEA, VEG, VE3/A, VE4/B, VSW/A, VSW4, WD/B, WJ/B
			D	17211-ZL8-023	.....	1	1563056 -----	BE14/A, KR/B, KRA2/B, KRB/B, KRBD/A, KRBM, KRB1/A, KRB4/B, KRE/B, KRE4/B, KRF2, KRM, KRMB, KRMG, KRS/A, KRS2, KRW, KRW2/A, KR4/B, QAD/A, QA2/B, QA26/B, QBE, QD/B, QE/B, QE14/A, QXU2, SA2/A, SD/B, SE/B, SE14/A, SE3/A, SJ/B, SJH/A, SMG/A, VA2/B, VEA, VEG, VE3/A, VE4/B, VSW/A, VSW4, WD/B, WJ/B

NOTE A:PART NO. CHANGE D:NEWLY PROVIDED E:PART NO.DELETION K:REQUIRED NO. CORRECTION L:APPLICATION SERIAL NO. CORRECTION  
T:APPLICATION CORRECTION Z:REMARKS CHANGE

January 23, 2006



# PARTS CATALOGUE NEWS

Honda Motor Co., Ltd. Service Division

## PARTS CATALOGUE - CORRECTED

Printed in Japan

CODE NO.	BOOKLET TYPE	13Z0D0E3
	MICRO-FICHE	13Z0D0EC/FC
PARTS CATALOGUE TITLE	GX100	
NEWS NO.	005	

Block No.	Ref. No.	Note	Part No.	Description	Reqd. QTY		Serial No.	Parts catalogue code
						GX 100		
E-28	1	L	87135-ZE2-020	LABEL, E-SPEC (15. 5X27. 5) . . . .	1			BE14, KR/B, KRBD, KRBD/A, KRB1, KRE/B, QD/B, QE14, SD/B, SE14, SJ/B SJH, SJH/A, SMG, SMG/A, VSW/A, WD/B, WJ/B
					1		1321524	BE14/A, KRB4/B, KRE4/B, KR4/B, QE/B, QE14/A, SE/B, SE14/A, VE4/B
					1		1590025	KRB1/A
					1		1185930	KR/A, KRB4/A, KRE/A, KRE4/A, KR4/A, QD/A, QE/A, SD/A, SE/A, SJ/A VE4/A, VSW, WD/A, WJ/A

NOTE A:PART NO. CHANGE D:NEWLY PROVIDED E:PART NO.DELETION K:REQUIRED NO. CORRECTION L:APPLICATION SERIAL NO. CORRECTION  
T:APPLICATION CORRECTION Z:REMARKS CHANGE



# PARTS CATALOGUE NEWS

Honda Motor Co., Ltd. Service Division

## PARTS CATALOGUE - CORRECTED

Printed in Japan

CODE NO.	BOOKLET TYPE	13Z0D0E3
	MICRO-FICHE	13Z0D0EC/FC
PARTS CATALOGUE TITLE	GX100	
NEWS NO.	006	

Block No.	Ref. No.	Note	Part No.	Description	Reqd. QTY	Serial No.		Parts catalogue code
					GX 100			
E-28	1	L	87135-ZE2-020	LABEL, E-SPEC (15. 5X27. 5) . . . .	1	-----	-----	BE14, KRBD, KRB1, QE14, SE14, SJH, SMG
					1	-----	1300015	KRBD/A
					1	-----	1321524	BE14/A, KRB4/B, KRE4/B, KR4/B, QE/B, QE14/A, SE/B, SE14/A, VE4/B
					1	-----	1590025	KRB1/A
					1	-----	1590174	KR/B, KRE/B, QD/B, SD/B, SJ/B, SJH/A, SMG/A, VSW/A, WD/B, WJ/B
					1	-----	1185930	KR/A, KRB4/A, KRE/A, KRE4/A, KR4/A, QD/A, QE/A, SD/A, SE/A, SJ/A, VE4/A, VSW, WD/A, WJ/A

NOTE A:PART NO. CHANGE D:NEWLY PROVIDED E:PART NO.DELETION K:REQUIRED NO. CORRECTION L:APPLICATION SERIAL NO. CORRECTION  
T:APPLICATION CORRECTION Z:REMARKS CHANGE





# PARTS CATALOGUE NEWS

Honda Motor Co., Ltd. Service Division

## PARTS CATALOGUE - CORRECTED

Printed in Japan

CODE NO.	BOOKLET TYPE	13Z0D0E3
	MICRO-FICHE	13Z0D0EC/FC
PARTS CATALOGUE TITLE	GX100	
NEWS NO.	007	

Block No.	Ref. No.	Note	Part No.	Description	Reqd. QTY		Serial No.	Parts catalogue code					
						GX 100							
E-11-1	1		28400-Z0D-V02ZA	STARTER ASSY., RECOIL *NH1*..... BLACK	1		-----	BE14, BE14/A, KR, KR/A, KRAM, KRAM/A, KRA2, KRA2/A, KRB, KRB/A, KRB/B, KRBD, KRBD/A, KRBM, KRB1, KRB4, KRB4/A, KRB4/B, KRE, KRE/A, KRE4, KRE4/A, KRE4/B, KRF2, KRG, KRG/A, KRG/B, KRM, KRMG, KRW, KRW2, KRW2/A, KR4, KR4/A, KR4/B, SE3, SE3/A, VEA, VEG, VE3, VE3/A					
					1		-----	1622156	KR/B, KRA2/B, KRB1/A, KRE/B				
					1		-----		BE14, BE14/A, KRAM, KRAM/A, KRE4/B, KRM, KRMB, KRS/A, KRW, KR4/B, SE3, SE3/A, VE3, VE3/A				
					1		-----	1622156	KR/B, KRA2/B, KRE/B, KRS2				
					1		1149108	-----	KR/A, KRA2/A, KRE/A, KRE4/A, KRS, KR4/A				
					1		-----	1622156	KRS2				
					A		28400-Z0D-V03ZA	*NH1*..... BLACK	1		1622157	-----	KR/B, KRA2/B, KRB1/A, KRE/B
					A		28400-Z0D-V03ZC	*R280*..... POWER RED	1		1622157	-----	KR/B, KRA2/B, KRE/B, KRS2
					A		28400-Z0D-V03ZD	*NH105*... MAT BLACK (#15-#20)	1		1622157	-----	KRS2

NOTE A:PART NO. CHANGE D:NEWLY PROVIDED E:PART NO.DELETION K:REQUIRED NO. CORRECTION L:APPLICATION SERIAL NO. CORRECTION  
T:APPLICATION CORRECTION Z:REMARKS CHANGE

PARTS CATALOGUE NEWS

BOOKNo. : 13ZOD0E3

Block No.	Ref. No.	Note	Part No.	Description	Reqd. QTY	Serial No.		Parts catalogue code
					GX 100			
	9		28462-ZOD-V02	ROPE, RECOIL STARTER .....	1	-----	-----	BE14, BE14/A, KR, KR/A, KRAM, KRAM/A, KRA2, KRA2/A, KRB, KRB/A, KRB/B, KRBD, KRBD/A, KRBM, KRB1, KRB4, KRB4/A, KRB4/B, KRE, KRE/A, KRE4, KRE4/A, KRE4/B, KRF2, KRG, KRG/A, KRG/B, KRM, KRMB, KRMG, KRS, KRS/A, KRW, KRW2, KRW2/A, KR4, KR4/A, KR4/B, SE3, SE3/A, VEA, VEG, VE3, VE3/A
					1	-----	1622156	KR/B, KRA2/B, KRB1/A, KRE/B, KRS2
	A		28462-ZOD-V03	.....	1	-----	1622157	KR/B, KRA2/B, KRB1/A, KRE/B, KRS2
E-19	10		28451-ZOD-V02	PULLEY, STARTER .....	1	-----	-----	BE14, BE14/A, KR, KR/A, KRAM, KRAM/A, KRA2, KRA2/A, KRB, KRB/A, KRB/B, KRBD, KRBD/A, KRBM, KRB1, KRB4, KRB4/A, KRB4/B, KRE, KRE/A, KRE4, KRE4/A, KRE4/B, KRF2, KRG, KRG/A, KRG/B, KRM, KRMB, KRMG, KRS, KRS/A, KRW, KRW2, KRW2/A, KR4, KR4/A, KR4/B, SE3, SE3/A, VEA, VEG, VE3, VE3/A
					1	-----	1629430	KR/B, KRA2/B, KRB1/A, KRE/B, KRS2
	A		28451-ZOD-V03	.....	1	-----	1629431	KR/B, KRA2/B, KRB1/A, KRE/B, KRS2

NOTE A:PART NO. CHANGE D:NEWLY PROVIDED E:PART NO.DELETION K:REQUIRED NO. CORRECTION L:APPLICATION SERIAL NO. CORRECTION  
T:APPLICATION CORRECTION Z:REMARKS CHANGE



# PARTS CATALOGUE NEWS

Honda Motor Co., Ltd. Service Division

## PARTS CATALOGUE - CORRECTED

Printed in Japan

CODE NO.	BOOKLET TYPE	13Z0D0E3
	MICRO-FICHE	13Z0D0EC/FC
PARTS CATALOGUE TITLE	GX100	
NEWS NO.	008	

Block No.	Ref. No.	Note	Part No.	Description	Reqd. QTY		Serial No.	Parts catalogue code
						GX 100		
E-14	9	L	16100-Z0D-003	CARBURETOR ASSY. (BF32F A) ...	1		1019309	QA2, QA26, QD, QE, SD, SE, SJ, VA2, VE4, WD, WJ
			T	16100-Z0D-013	CARBURETOR ASSY. (BF32F B) ...	1		
					1	1019310		QA2, QA26, QD, QE, SD, SE, SJ, VA2, VE4, WD, WJ

NOTE A:PART NO. CHANGE D:NEWLY PROVIDED E:PART NO.DELETION K:REQUIRED NO. CORRECTION L:APPLICATION SERIAL NO. CORRECTION  
T:APPLICATION CORRECTION Z:REMARKS CHANGE



# PARTS CATALOGUE NEWS

Honda Motor Co., Ltd. Service Division

## PARTS CATALOGUE - CORRECTED

Printed in Japan

CODE NO.	BOOKLET TYPE	13Z0D0E3
	MICRO-FICHE	13Z0D0EC/FC
PARTS CATALOGUE NEWS	GX100	
NEWS NO.	009	

Block No.	Ref. No.	Note	Part No.	Description	Reqd. QTY		Serial No.	Parts catalogue code
						GX 100		
E-16-1	2		18321-Z0D-V20	PROTECTOR, MUFFLER .....		1	-----	KR, KR/A, KRAM, KRAM/A, KRA2, KRA2/A, KRA2/B, KRB, KRB/A, KRB/B, KRBD, KRBD/A, KRBM, KRB1, KRB4, KRB4/A, KRB4/B, KRE, KRE/A, KRF2, KRG, KRG/A, KRG/B, KRM, KRMG, KRS, KRS/A, KRS2, KRW, KRW2, KRW2/A, VEG
						1	-----	1688789 KR/B, KRB1/A, KRE/B
		A	18321-Z0D-V21	.....		1	1688790	----- KR/B, KRB1/A, KRE/B

NOTE A:PART NO. CHANGE D:NEWLY PROVIDED E:PART NO.DELETION K:REQUIRED NO. CORRECTION L:APPLICATION SERIAL NO. CORRECTION  
T:APPLICATION CORRECTION Z:REMARKS CHANGE



# PARTS CATALOGUE NEWS

Honda Motor Co., Ltd. Service Division

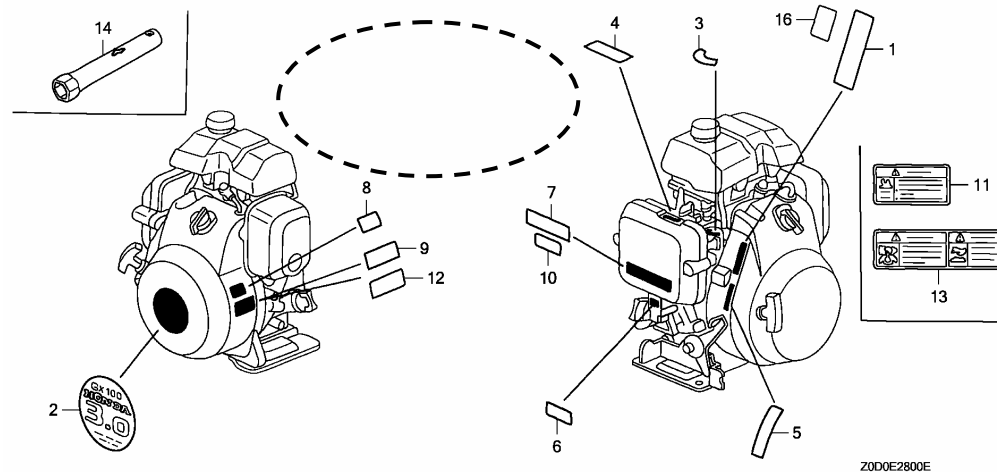
## PARTS CATALOGUE - CORRECTED

Printed in Japan

CODE NO.	BOOKLET TYPE	13Z0D0E3
	MICRO-FICHE	13Z0D0EC/FC
PARTS CATALOGUE NEWS	GX100	
NEWS NO.	010	

Block No.	Ref. No.	Note	Part No.	Description	Reqd. QTY	Serial No.	Parts catalogue code
					GX 100		

E-28 LABEL



E-28 15 E 87637-ZM3-800 \*PARTS NO. DELETION

NOTE A:PART NO. CHANGE D:NEWLY PROVIDED E:PART NO.DELETION K:REQUIRED NO. CORRECTION L:APPLICATION SERIAL NO. CORRECTION  
T:APPLICATION CORRECTION Z:REMARKS CHANGE



# PARTS CATALOGUE NEWS

Honda Motor Co., Ltd. Service Division

## PARTS CATALOGUE - CORRECTED

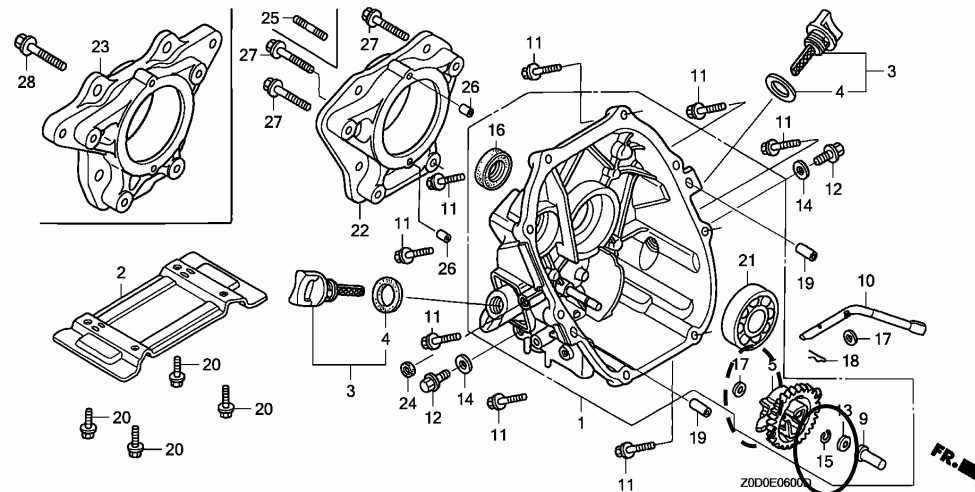
Printed in Japan

CODE NO.	BOOKLET TYPE	13Z0D0E3
	MICRO-FICHE	13Z0D0EC/FC
PARTS CATALOGUE NEWS	GX100	
NEWS NO.	011	

Block No.	Ref. No.	Note	Part No.	Description	Reqd. QTY	Serial No.	Parts catalogue code
					GX 100		

### E-6 CRANKCASE COVER

ILLUSTRATION CORRECTED



NOTE A:PART NO. CHANGE D:NEWLY PROVIDED E:PART NO.DELETION K:REQUIRED NO. CORRECTION L:APPLICATION SERIAL NO. CORRECTION  
T:APPLICATION CORRECTION Z:REMARKS CHANGE



# PARTS CATALOGUE NEWS

Honda Motor Co., Ltd. Service Division

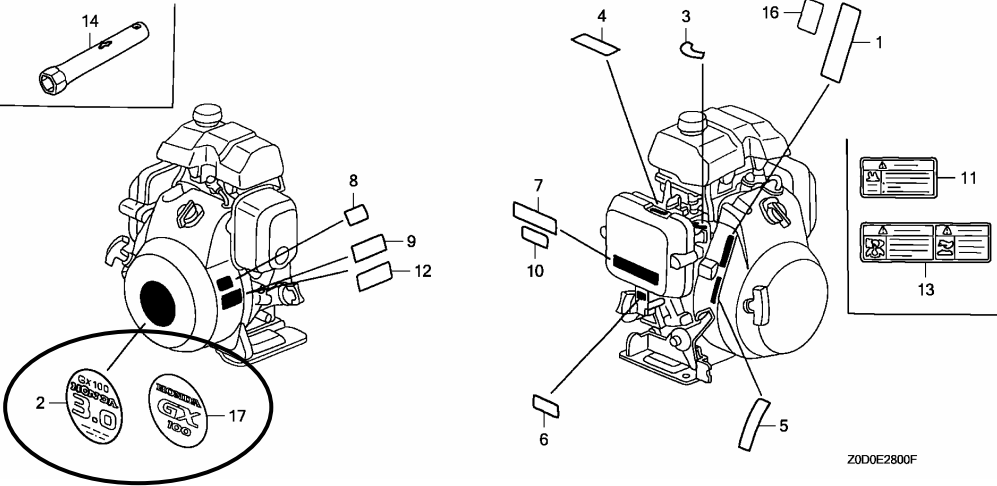
## PARTS CATALOGUE - CORRECTED

Printed in Japan

CODE NO.	BOOKLET TYPE	13Z0D0E3
	MICRO-FICHE	13Z0D0EC/FC
PARTS CATALOGUE NEWS	GX100	
NEWS NO.	012	

Block No.	Ref. No.	Note	Part No.	Description	Reqd. QTY	Serial No.	Parts catalogue code
					GX100		

E-28 LABEL



Z0D0E2800F

NOTE A:PART NO. CHANGE D:NEWLY PROVIDED E:PART NO.DELETION K:REQUIRED NO. CORRECTION L:APPLICATION SERIAL NO. CORRECTION  
T:APPLICATION CORRECTION Z:REMARKS CHANGE

PARTS CATALOGUE NEWS

BOOKNo. : 13ZOD0E3

Block No.	Ref. No.	Note	Part No.	Description	Reqd. QTY	Serial No.		Parts catalogue code
					GX 100			
E-28	2	L	87521-ZOD-010	EMBLEM (GX100 3.0) .....	1	-----	-----	QAD, QAD/A, QA2/B, QA26/B, QBE, QE/B, QE14, QE14/A, QXU2, SA2/A SE/B, SE14, SE14/A, SJH, SJH/A, SMG, VA2/B, VE4/B, WJ/B
					1	-----	1743346	QD/B, SD/B, SJ/B, SMG/A, WD/B
					1	1149134	-----	QA2/A, QA26/A, QD/A, QE/A, SA2, SD/A, SE/A, SJ/A, VA2/A, VE4/A WD/A, WJ/A
	17	D	87521-ZOD-020	EMBLEM (GX100) .....	1	1743347	-----	QD/B, SD/B, SJ/B, SMG/A, WD/B

NOTE A:PART NO. CHANGE D:NEWLY PROVIDED E:PART NO.DELETION K:REQUIRED NO. CORRECTION L:APPLICATION SERIAL NO. CORRECTION  
T:APPLICATION CORRECTION Z:REMARKS CHANGE





# PARTS CATALOGUE NEWS

Honda Motor Co., Ltd. Service Division

## PARTS CATALOGUE - CORRECTED

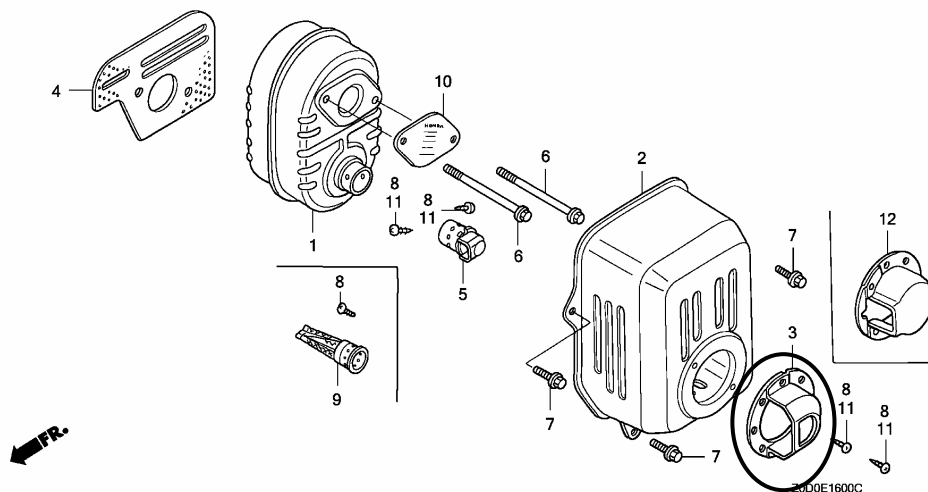
Printed in Japan

CODE NO.	BOOKLET TYPE	13Z0D0E3
	MICRO-FICHE	13Z0D0EC/FC
PARTS CATALOGUE NEWS	GX100	
NEWS NO.	013	

Block No.	Ref. No.	Note	Part No.	Description	Reqd. QTY	Serial No.	Parts catalogue code
					GX 100		

E-16 MUFFLER (STANDARD)

**ILLUSTRATION CORRECTED**



NOTE A:PART NO. CHANGE D:NEWLY PROVIDED E:PART NO.DELETION K:REQUIRED NO. CORRECTION L:APPLICATION SERIAL NO. CORRECTION  
T:APPLICATION CORRECTION Z:REMARKS CHANGE



# PARTS CATALOGUE NEWS

Honda Motor Co., Ltd. Service Division

## PARTS CATALOGUE - CORRECTED

Printed in Japan

CODE NO.	BOOKLET TYPE	13Z0D0E3
	MICRO-FICHE	13Z0D0EC/FC
PARTS CATALOGUE NEWS	GX100	
NEWS NO.	014	

Block No.	Ref. No.	Note	Part No.	Description	Reqd. QTY		Serial No.	Parts catalogue code
						GX 100		
E-19	2		30500-Z0D-013	COIL ASSY., IGNITION .....	1		-----	QXU2, VEA, VEG
					1	1418808	-----	BE14/A, QAD/A, QA2/B, QA26/B, QBE, QE/B, QE14/A, SA2/A, SE/B, SE14/A, SE3/A, SJH/A, VA2/B, VE3/A, VE4/B, VSW4, WD/B, WJ/B
					1	1418808	1782009	QD/B, SD/B, SJ/B, SMG/A, VSW/A
		A	30500-Z0D-023	.....	1	1782010	-----	QD/B, SD/B, SJ/B, SMG/A, VSW/A

NOTE A:PART NO. CHANGE D:NEWLY PROVIDED E:PART NO.DELETION K:REQUIRED NO. CORRECTION L:APPLICATION SERIAL NO. CORRECTION  
T:APPLICATION CORRECTION Z:REMARKS CHANGE



# PARTS CATALOGUE NEWS

Honda Motor Co., Ltd. Service Division

## PARTS CATALOGUE - CORRECTED

Printed in Japan

CODE NO.	BOOKLET TYPE	13Z0D0E3
	MICRO-FICHE	13Z0D0EC/FC
PARTS CATALOGUE NEWS	GX100	
NEWS NO.	015	

Block No.	Ref. No.	Note	Part No.	Description	Reqd. QTY		Serial No.	Parts catalogue code
						GX 100		
E-28	2	L	87521-Z0D-V01	EMBLEM (RAMMA) (GX100 3.0) . . . .	1		-----	BE14, BE14/A, KRAM, KRAM/A, KRA2/B, KRB/B, KRBD, KRBD/A, KRBM, KRB1, KRB4/B, KRE4/B, KRF2, KRG, KRG/A, KRG/B, KRM, KRMB, KRMG, KRS/A, KRS2, KRW, KRW2, KRW2/A, KR4/B, SE3, SE3/A, VEA, VEG, VE3, VE3/A
					1		-----	1743828 KR/B, KRB1/A, KRE/B
					1		1149108	----- KR/A, KRA2/A, KRB/A, KRB4/A, KRE/A, KRE4/A, KRS, KR4/A
	17	D	87521-Z0D-V02	EMBLEM (RAMMA) (GX100) . . . . .	1		1743829	----- KR/B, KRB1/A, KRE/B

NOTE A:PART NO. CHANGE D:NEWLY PROVIDED E:PART NO. DELETION K:REQUIRED NO. CORRECTION L:APPLICATION SERIAL NO. CORRECTION  
T:APPLICATION CORRECTION Z:REMARKS CHANGE

July 22, 2007



# PARTS CATALOGUE NEWS

Honda Motor Co., Ltd. Service Division

## PARTS CATALOGUE - CORRECTED

Printed in Japan

CODE NO.	BOOKLET TYPE	13Z0D0E3
	MICRO-FICHE	13Z0D0EC/FC
PARTS CATALOGUE NEWS	GX100	
NEWS NO.	016	

Block No.	Ref. No.	Note	Part No.	Description	Reqd. QTY		Serial No.	Parts catalogue code
						GX 100		
E-19-10	4		35480-Z0D-U01	SWITCH ASSY., OIL LEVEL .....		1	-----	VSW, VSW4
						1	-----	1807978 VSW/A
			A	35480-Z0D-U02	.....	1	1807979	-----

NOTE A:PART NO. CHANGE D:NEWLY PROVIDED E:PART NO.DELETION K:REQUIRED NO. CORRECTION L:APPLICATION SERIAL NO. CORRECTION  
T:APPLICATION CORRECTION Z:REMARKS CHANGE



# PARTS CATALOGUE NEWS

Honda Motor Co., Ltd. Service Division

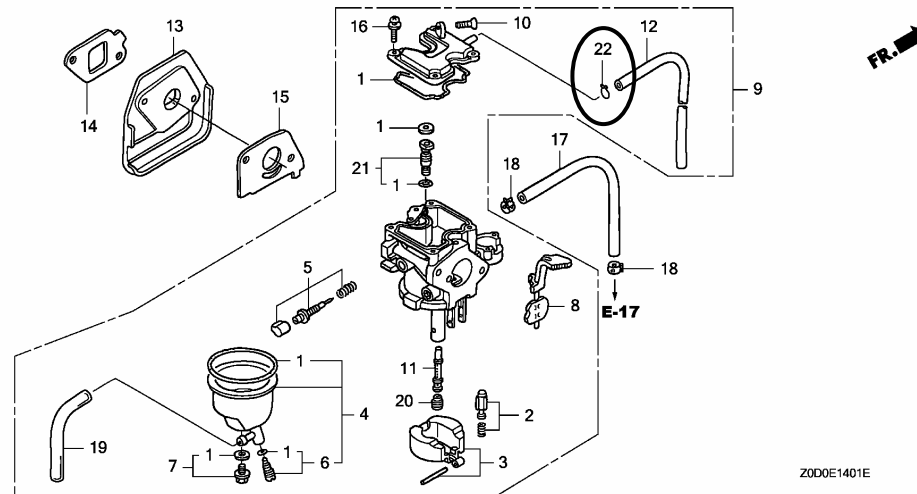
## PARTS CATALOGUE - CORRECTED

Printed in Japan

CODE NO.	BOOKLET TYPE	13Z0D0E3
	MICRO-FICHE	13Z0D0EC/FC
PARTS CATALOGUE NEWS	GX100	
NEWS NO.	017	

Block No.	Ref. No.	Note	Part No.	Description	Reqd. QTY	Serial No.	Parts catalogue code
					GX 100		

E-14-1 CARBURETOR (RAMMER FLOAT)



Z0D0E1401E

NOTE A:PART NO. CHANGE D:NEWLY PROVIDED E:PART NO. DELETION K:REQUIRED NO. CORRECTION L:APPLICATION SERIAL NO. CORRECTION  
T:APPLICATION CORRECTION Z:REMARKS CHANGE

PARTS CATALOGUE NEWS

BOOKNo. : 13ZOD0E3

Block No.	Ref. No.	Note	Part No.	Description	Reqd. QTY	Serial No.	Parts catalogue code
					GX 100		
E-14-1	22	D	95002-02089	CLIP, TUBE (B8) .....	1	-----	KR, KR/A, KR/B, KRA2, KRA2/A, KRA2/B, KRB, KRB/A, KRB/B, KRBD KRBD/A, KRB1, KRB1/A, KRB4, KRB4/A, KRB4/B, KRE, KRE/A, KRE/B, KRS KRS/A, KRS2, KRW2, KRW2/A

NOTE A:PART NO. CHANGE D:NEWLY PROVIDED E:PART NO.DELETION K:REQUIRED NO. CORRECTION L:APPLICATION SERIAL NO. CORRECTION  
T:APPLICATION CORRECTION Z:REMARKS CHANGE



# PARTS CATALOGUE NEWS

Honda Motor Co., Ltd. Service Division

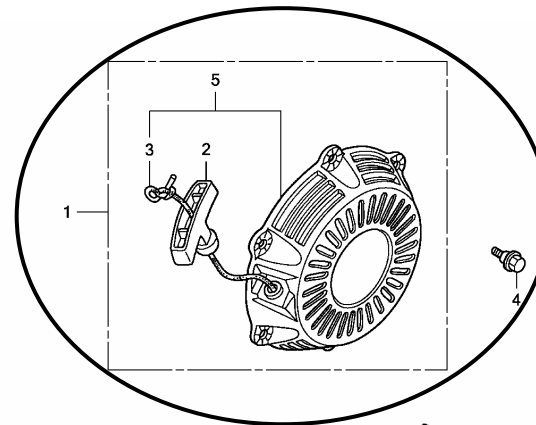
## PARTS CATALOGUE - CORRECTED

Printed in Japan

CODE NO.	BOOKLET TYPE	13Z0D0E3
	MICRO-FICHE	13Z0D0EC/FC
PARTS CATALOGUE NEWS	GX100	
NEWS NO.	018	

Block No.	Ref. No.	Note	Part No.	Description	Reqd. QTY	Serial No.	Parts catalogue code
E-11					GX 100		

E-11 RECOIL STARTER (STANDARD)



Z0D0E1100A

E-11 1 E 28400-Z0D-U01ZA \*PARTS NO. DELETION

NOTE A:PART NO. CHANGE D:NEWLY PROVIDED E:PART NO.DELETION K:REQUIRED NO. CORRECTION L:APPLICATION SERIAL NO. CORRECTION  
T:APPLICATION CORRECTION Z:REMARKS CHANGE

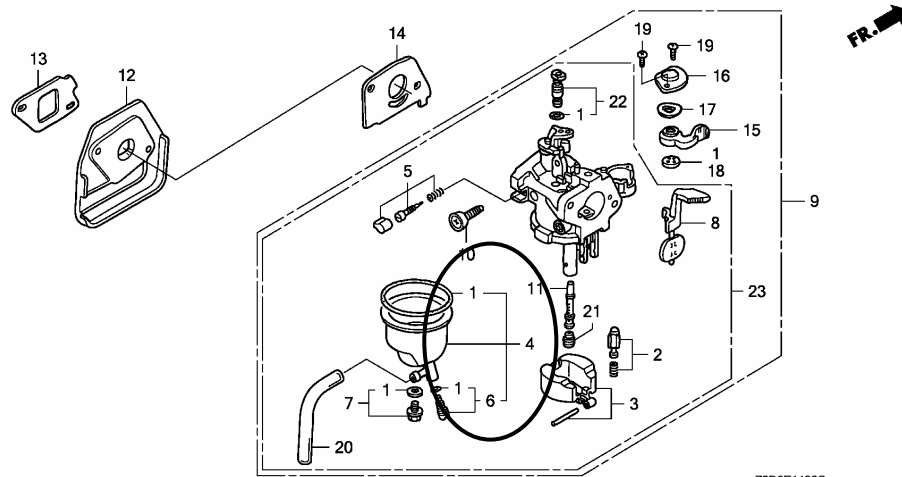
PARTS CATALOGUE NEWS

BOOKNo. : 13Z0D0E3

Block No.	Ref. No.	Note	Part No.	Description	Reqd. QTY	Serial No.	Parts catalogue code
					GX 100		
		E	28400-Z0D-U01ZB	*PARTS NO. DELETION			
	5	D	28400-Z0D-U01ZA	STARTER ASSY., RECOIL *NH1*.....BLACK	1	-----	VSW/A, VSW4
					1	1185930	VSW
		D	28400-Z0D-U01ZB	*R280*.....POWER RED	1	-----	VSW/A
					1	1185930	VSW

E-14 CARBURETOR (STANDARD)

ILLUSTRATION CORRECTED



NOTE A:PART NO. CHANGE D:NEWLY PROVIDED E:PART NO.DELETION K:REQUIRED NO. CORRECTION L:APPLICATION SERIAL NO. CORRECTION  
T:APPLICATION CORRECTION Z:REMARKS CHANGE

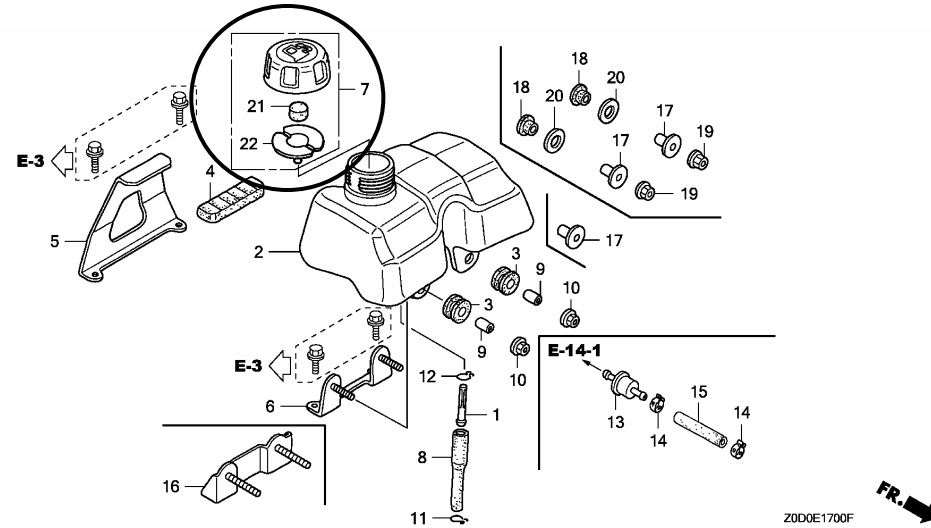


PARTS CATALOGUE NEWS

BOOKNo. : 13Z0D0E3

Block No.	Ref. No.	Note	Part No.	Description	Reqd. QTY GX 100	Serial No.	Parts catalogue code
-----------	----------	------	----------	-------------	------------------------	------------	----------------------

E-17 FUEL TANK



Z0D0E1700F

E-17	21	D	17622-ZL8-003	SPONGE, FUEL CAP BREATHER ....	1	-----	BE14, BE14/A, QAD, QAD/A, QA2, QA2/A, QA2/B, QA26, QA26/A, QA26/B, QBE, QD, QD/A, QD/B, QE, QE/A, QE/B, QE14, QE14/A, QXU2, SA2, SA2/A, SD, SD/A, SD/B, SE, SE/A, SE/B, SE14, SE14/A, SE3, SE3/A, SJ, SJ/A, SJ/B, SJH, SJH/A, VA2, VA2/A, VA2/B, VEA, VEG, VE3, VE3/A, VE4, VE4/A, VE4/B, VSW, VSW/A, VSW4, WD, WD/A, WD/B, WJ, WJ/A, WJ/B
	22	D	17624-ZL8-003	PACKING, FUEL CAP .....	1	-----	BE14, BE14/A, QAD, QAD/A, QA2, QA2/A, QA2/B, QA26, QA26/A, QA26/B, QBE, QD, QD/A, QD/B, QE, QE/A, QE/B, QE14, QE14/A, QXU2, SA2, SA2/A, SD, SD/A, SD/B, SE, SE/A, SE/B, SE14, SE14/A, SE3, SE3/A, SJ, SJ/A, SJ/B, SJH, SJH/A, VA2, VA2/A, VA2/B, VEA, VEG, VE3, VE3/A, VE4, VE4/A, VE4/B, VSW, VSW/A, VSW4, WD, WD/A, WD/B, WJ, WJ/A, WJ/B

NOTE A:PART NO. CHANGE D:NEWLY PROVIDED E:PART NO.DELETION K:REQUIRED NO. CORRECTION L:APPLICATION SERIAL NO. CORRECTION  
T:APPLICATION CORRECTION Z:REMARKS CHANGE

October 14, 2007



---

## PARTS CATALOGUE NEWS

---

Honda Motor Co., Ltd. Service Division

Printed in Japan

CODE NO.	BOOKLET TYPE	13Z0D0E3
	MICRO- FICHE	13Z0D0EC/FC
PARTS CATALOGUE NEWS	GX100	
NEWS NO.	019	

### **GX100-VSW2 type sales information**

NOTE: This Parts Catalogue News explains only the parts of the different model that are produced to conform to addition of the GX100-VSW2 type.

As for the parts not listed on this Parts Catalogue News, use the parts of the GX100-VSW/A type.

• **Models, parts catalogue codes and applicable serial numbers**

Model	Type		Parts catalogue type	Applicable engine serial No.	Applicable carburetor identification No.
GX100	VSW	Base type	VSW/A	GCANM-1300001~	BF31F A
	VSW2	Additional type	VSW2		

• **Features of each type**

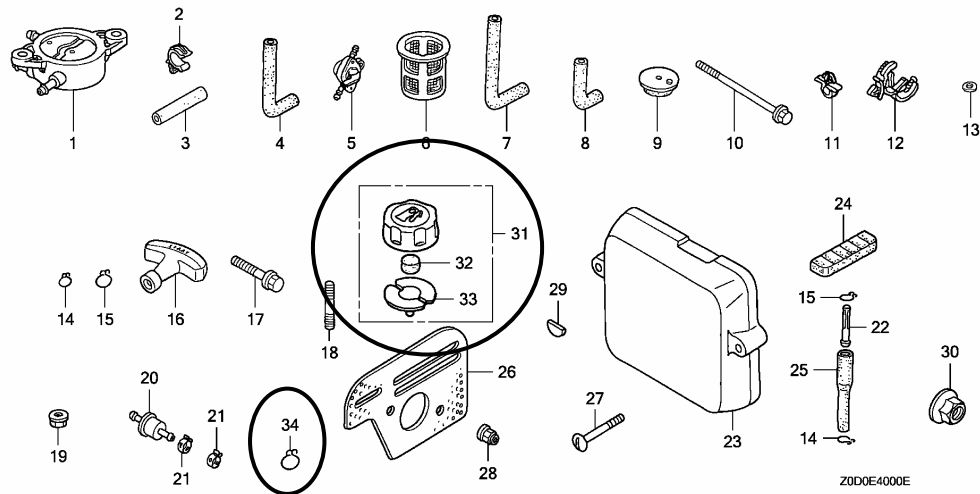
		Base type	Additional type
Specifications	Model	GX100	
	Type	VSW	VSW2
Crankshaft	15.8mm Ø Straight		
	15mm Ø Straight		
	17mm Ø Straight		
	Tapered	●	●
	M10 Stepped thread		
	M12 Stepped thread		
Oil alert unit			
Fuel tank			

PARTS CATALOGUE NEWS

BOOKNo. : 13ZOD0E3

Block No.	Ref. No.	Part No.	Description	Reqd. QTY	Base Part No.	Parts catalogue code
				GX 100		
E-16-1	3		GASKET, MUFFLER .....	0	18381-ZOD-000	
	6		NUT, SELF-LOCK, 6MM .....	0	90343-ZE6-000	
E-17	1		STRAINER, FUEL .....	0	16952-ZE6-000	
	4		RUBBER B, TANK MOUNTING .....	0	17533-ZM7-000	
	7		CAP ASSY., FUEL TANK .....	0	17620-ZL8-013	
	8		TUBE, FUEL TANK .....	0	17701-ZOD-U00	
	11		CLIP, TUBE (B8) .....	0	95002-02080	
	12		CLIP, TUBE (C11) .....	0	95002-70000	
	21		SPONGE, FUEL CAP BREATHER ....	0	17622-ZL8-003	
	22		PACKING, FUEL CAP .....	0	17624-ZL8-003	

E-40 OTHER PARTS



ZOD0E4000E

E-40	14	95002-02080	CLIP, TUBE (B8) .....	3	95002-02080	
	22	16952-ZE6-000	STRAINER, FUEL .....	1		

## PARTS CATALOGUE NEWS

BOOKNo. : 13ZOD0E3

Block No.	Ref. No.	Part No.	Description	Reqd. QTY GX 100	Base Part No.	Parts catalogue code
	24	17533-ZM7-000	RUBBER B, TANK MOUNTING .....	2		
	25	17701-Z0D-U00	TUBE, FUEL TANK .....	1		
	26	18381-Z0D-000	GASKET, MUFFLER .....	1		
	28	90343-ZE6-000	NUT, SELF-LOCK, 6MM .....	2		
	31	17620-ZL8-013	CAP ASSY., FUEL TANK .....	1		
	32	17622-ZL8-003	SPONGE, FUEL CAP BREATHER ....	1		
	33	17624-ZL8-003	PACKING, FUEL CAP .....	1		
	34	95002-70000	CLIP, TUBE (C11) .....	1		



# PARTS CATALOGUE NEWS

Honda Motor Co., Ltd. Service Division

December 23, 2007

CODE NO.	BOOKLET TYPE	13Z0D0E3
	MICRO- FICHE	13Z0D0EC/FC
PARTS CATALOGUE NEWS	GX100	
NEWS NO.	020	

Printed in Japan

## GX100-KRF1 type sales information

NOTE: This Parts Catalogue News explains only the parts of the different model that are produced to conform to addition of the GX100-KRF1 type.

As for the parts not listed on this Parts Catalogue News, use the parts of the GX100-KRF2 type.

**• Models,parts catalogue codes and applicable serial numbers**

Model	Type		Parts catalogue type	Applicable engine serial No.	Applicable carburetor identification No.
GX100	KRF2	Base type	KRF2	GCANM-1300001~ 9999999	HDA 201B/C/D
	KRF1	Additional type	KRF1	GCANM-1300001~	HDA 234B

**• Features of each type**

		Base type	Additional type
Specifications	Model	GX100	
	Type	KRF2	KRF1
Crankshaft	15.8mm Ø Straight		
	15mm Ø Straight		
	17mm Ø Straight		
	Tapered		●
	M10 Stepped thread		
	M12 Stepped thread	●	
Oil alert unit			
Fuel tank			

## PARTS CATALOGUE NEWS

BOOKNo. : 13ZOD0E3

Block No.	Ref. No.	Part No.	Description	Reqd. QTY	Base Part No.	Parts catalogue code
				GX 100		
E-3	8	15571-ZOD-V71	VALVE, OIL OUTLET .....	1	15571-ZM7-003	
	10	15721-ZOD-V70	TUBE, BREATHER (BOMAG) .....	1	15721-ZOD-V00	
E-6	22		FLANGE, P. T. O. ....	0	11511-ZOD-V00	
	25		BOLT, STUD, 8X25 .....	0	92900-08025-0E	
	26		DOWEL PIN, 6X10 .....	0	94303-06100	
	27		BOLT, FLANGE, 8X40 .....	0	95701-08040-00	
E-7	4	13310-ZOD-V70	CRANKSHAFT COMP. ....	1		
	9		CRANKSHAFT COMP. ....	0	13310-ZOD-V00	
E-11-1	1	28400-ZOD-V03ZA	STARTER ASSY., RECOIL *NH1*..... BLACK	1	28400-ZOD-V02ZA	
	9	28462-ZOD-V03	ROPE, RECOIL STARTER .....	1	28462-ZOD-V02	
E-12	1	19610-Z4E-S30ZA	COVER COMP., FAN *NH1*..... BLACK	1	19610-ZOD-V00ZB	
	2		SWITCH ASSY., ENGINE STOP ....	0	36100-ZE1-015	
E-14-1	17		HOSE, FUEL, 4.5X400 (95001-45001-50M)	0	95001-45400-50	

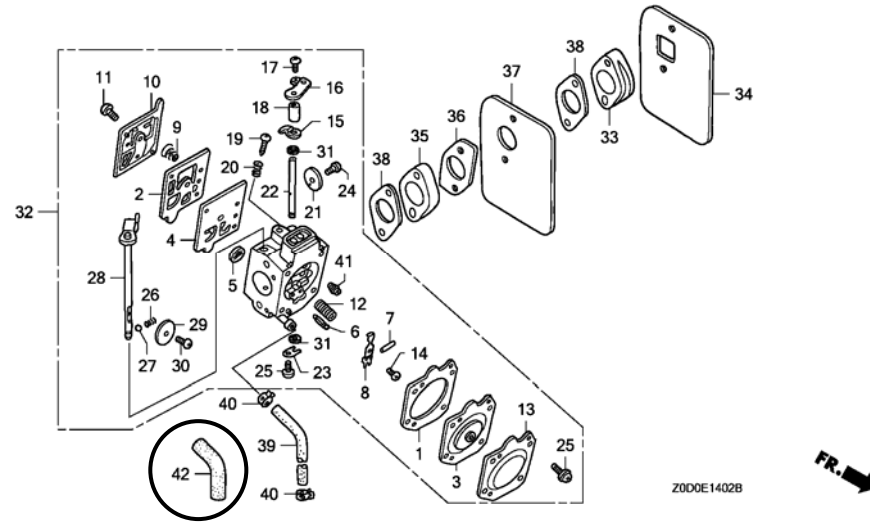


PARTS CATALOGUE NEWS

BOOKNo. : 13Z0D0E3

Block No.	Ref. No.	Part No.	Description	Reqd. QTY GX 100	Base Part No.	Parts catalogue code
-----------	----------	----------	-------------	------------------------	---------------	----------------------

E-14-2 CARBURETOR (RAMMER FLOATLESS)

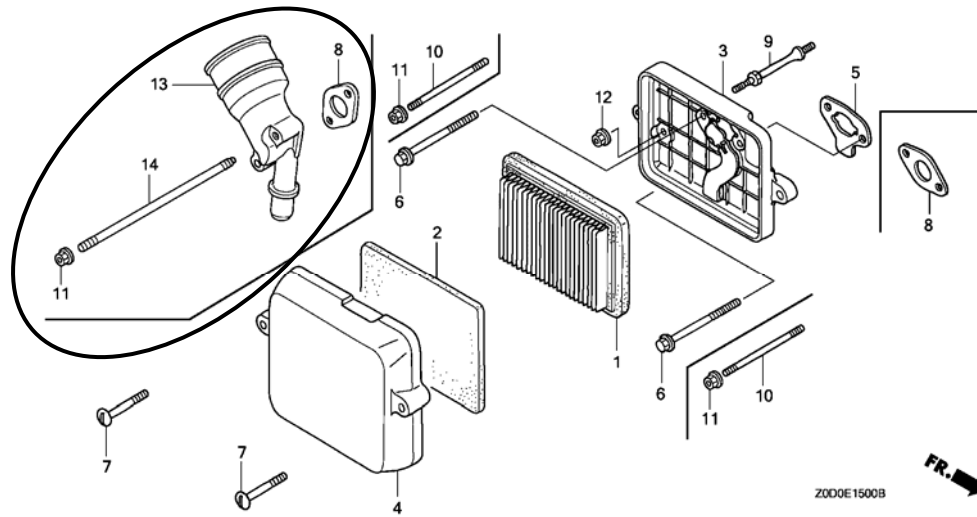


E-14-2	12	16042-Z4E-V92	SPRING .....	1	16042-Z0D-V02	
	16	16046-Z0D-V73	LEVER, THROTTLE .....	1	16046-Z0D-V03	
	19	16049-Z4E-S12	SCREW, IDLE ADJUSTING .....	1	16049-Z0D-V02	
	28	16058-Z0D-V72	SHAFT ASSY., CHOKE .....	1	16058-Z0D-V02	
	29	16059-Z0D-V03	VALVE, CHOKE .....	1	16059-Z0D-V03	
	32	16100-Z4E-S14	CARBURETOR ASSY. (HDA 234B) ..	1	16100-Z0D-V05	
	35	16213-Z4E-S10	INSULATOR B, CARBURETOR .....	1	16213-Z0D-V00	
	39	95001-45330-50	TUBE, FUEL, 4.5X330 (95001-45001-50M)	1	95001-45400-50	
	41		JET (#50) .....	(0)	99101-Z0D-0500	
			JET (#52) .....	(0)	99101-Z0D-0520	
			JET (#54) .....	0	99101-Z0D-0540	

BOOKNo. : 13Z0D0E3

Block No.	Ref. No.	Part No.	Description	Reqd. QTY	Base Part No.	Parts catalogue code
	42	95003-36026-20	TUBE, VINYL, 11X13X260 (95003-36001-10M)	GX 100 1		

E-15 AIR CLEANER



E-15	1		ELEMENT, AIR CLEANER .....	0	17211-ZL8-023	
	3		CASE COMP., AIR CLEANER .....	0	17220-Z0D-V00	
	4		COVER, AIR CLEANER .....	0	17231-Z0D-V61	
	7		BOLT, AIR CLEANER COVER .....	0	90011-Z0D-000	
	9		BOLT, STUD .....	0	90041-Z0D-V00	
	10		BOLT, STUD, 5X85 (CT200) .....	0	90042-Z0D-V00	
	12		NUT, FLANGE, 6MM .....	0	94050-06000	
	13	17410-Z4E-S30	ELBOW, AIR CLEANER .....	1		
	14	90042-Z4E-S30	BOLT, STUD, 5X95 .....	2		

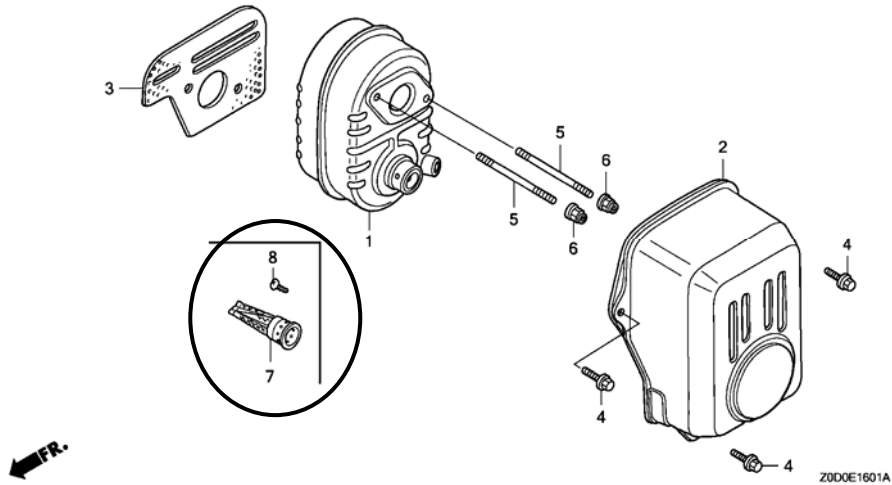
PARTS CATALOGUE NEWS

BOOKNo. : 13ZOD0E3

Block No.	Ref. No.	Part No.	Description	Reqd. QTY	Base Part No.	Parts catalogue code
-----------	----------	----------	-------------	-----------	---------------	----------------------

E-16-1 MUFFLER (RAMMER)

Ref. No.	(Relative ref. Number)	Description	FRT
7	3131A1	ARRESTER, SPARK ..... . INCLUDES: Spark arrester check	0.2



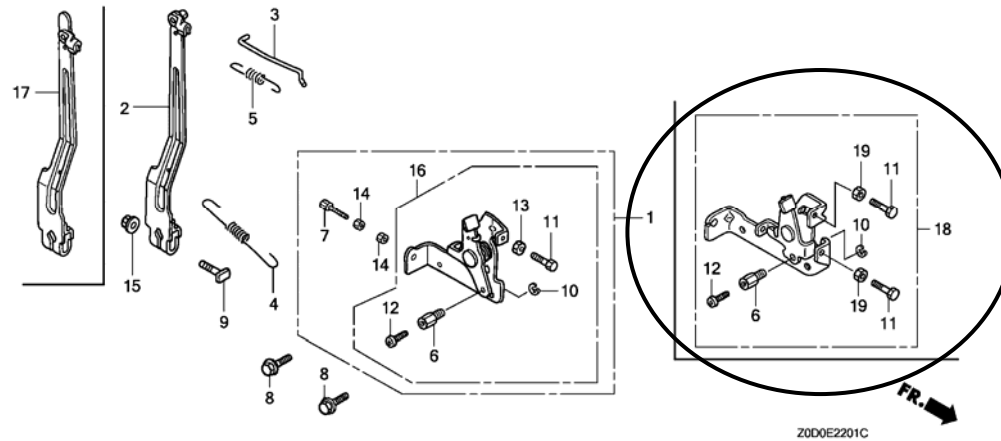
E-16-1	2	18321-ZOD-V21	PROTECTOR, MUFFLER .....	1	18321-ZOD-V20
	7	18350-ZL8-000	ARRESTER COMP., SPARK .....	(1)	
	8	90055-ZE1-000	SCREW, TAPPING, 4X6 .....	(1)	
E-17	13	16910-Z4E-S21	STRAINER COMP., FUEL .....	1	
	14	95002-40850-08	CLAMP, TUBE (D8.5) .....	2	
	15	95001-45080-50	TUBE, FUEL, 4.5X80 (95001-45001-50M)	1	
E-19	10	28451-ZOD-V03	PULLEY, STARTER .....	1	28451-ZOD-V02

BOOKNo. : 13ZOD0E3

Block No.	Ref. No.	Part No.	Description	Reqd. QTY GX 100	Base Part No.	Parts catalogue code
-----------	----------	----------	-------------	------------------------	---------------	----------------------

E-22-1 CONTROL (RAMMER REMOTE) (1)

Ref. No.	(Relative ref. Number)	Description	FRT
1	(16, 18)		
1161A5	CONTROL, THROTTLE/GOVERNOR ...	0.2	



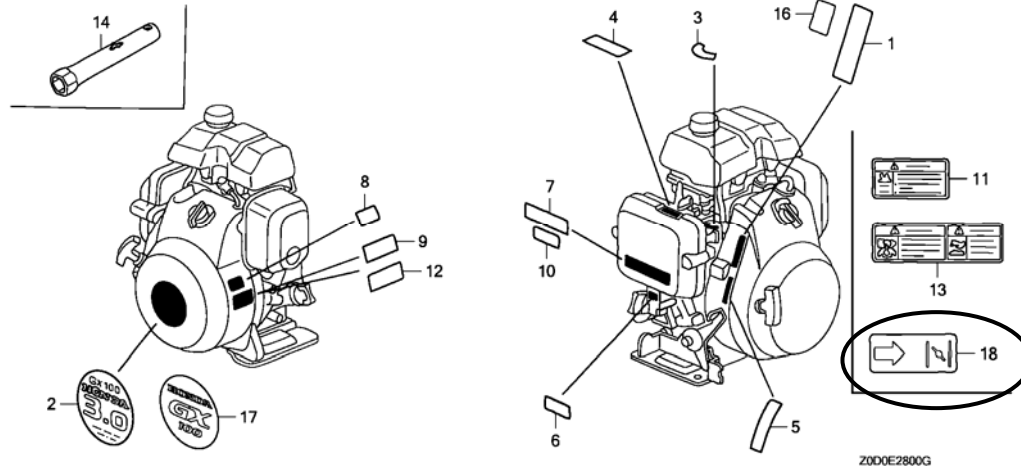
E-22-1	1		CONTROL ASSY. ....	0	16500-ZG0-V90	
	5	16562-Z4E-S10	SPRING, THROTTLE RETURN .....	1	16562-Z0D-V00	
	7		BOLT, CABLE ADJUSTING (6X34) .	0	54717-ZG0-S00	
	11	92301-05020-0A	BOLT, RECESSED, 5X20 .....	2	92301-05020-0A	
	13		NUT, HEX. , 5MM .....	0	94001-05000-0S	
	14		NUT, HEX. , 6MM .....	0	94002-06000-0S	
	18	16500-Z4E-S30	CONTROL ASSY. ....	1		
	19	94001-05000	NUT, HEX. , 5MM .....	2		

PARTS CATALOGUE NEWS

BOOKNo. : 13Z0D0E3

Block No.	Ref. No.	Part No.	Description	Reqd. QTY GX 100	Base Part No.	Parts catalogue code
-----------	----------	----------	-------------	------------------------	---------------	----------------------

E-28 LABEL



Z0D0E2800G

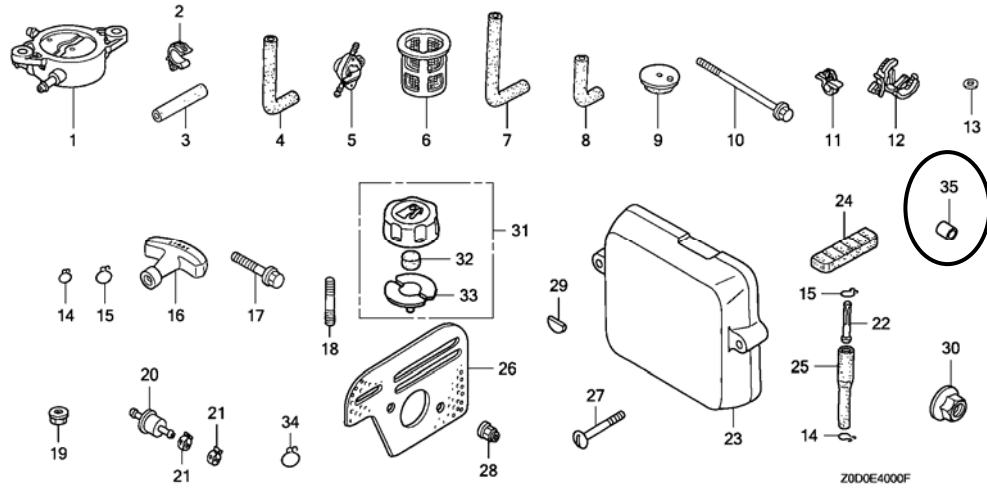
E-28	2		EMBLEM (RAMMA) (GX100 3.0) . . . .	0	87521-Z0D-V01	
	4		MARK, CHOKE INDICATION . . . . .	0	87528-Z0D-000	
	6	87601-Z0D-R90	MARK, TYPE (KRF1) . . . . .	1	87601-Z0D-U90	
	11	87106-737-J00	MARK, FUEL WARNING . . . . .	1		
	12	87150-ZH8-000	MARK, CAUTION (JAPANESE) . . . . .	1		
	13	87526-ZH8-000	MARK B, COMBINATION . . . . .	1		
	16	87114-ZH7-000	LABEL, WARNING (NOT CERTIFIED FOR SALE)	1		
	17	87521-Z0D-V02	EMBLEM (RAMMA) (GX100) . . . . .	1		
	18	87528-Z0D-000	MARK, CHOKE INDICATION . . . . .	1		

PARTS CATALOGUE NEWS

BOOKNo. : 13Z0D0E3

Block No.	Ref. No.	Part No.	Description	Reqd. QTY GX 100	Base Part No.	Parts catalogue code
-----------	----------	----------	-------------	------------------------	---------------	----------------------

E-40 OTHER PARTS



E-40	20		STRAINER COMP., FUEL .....	0	16910-GB2-005	
	21		CLAMP, TUBE (D8.5) .....	0	95002-40850-08	
	35	94303-06100	DOWEL PIN, 6X10 .....	2		



# PARTS CATALOGUE NEWS

Honda Motor Co., Ltd. Service Division

## PARTS CATALOGUE - CORRECTED

Printed in Japan

CODE NO.	BOOKLET TYPE	13Z0D0E3
	MICRO-FICHE	13Z0D0EC/FC
PARTS CATALOGUE NEWS	GX100	
NEWS NO.	021	

Block No.	Ref. No.	Note	Part No.	Description	Reqd. QTY	Serial No.	Parts catalogue code
E-28	6	D	87601-Z0D-880	MARK, TYPE (VSW2) .....	<sup>GX</sup> 100 1	-----	VSW2

NOTE A:PART NO. CHANGE D:NEWLY PROVIDED E:PART NO.DELETION K:REQUIRED NO. CORRECTION L:APPLICATION SERIAL NO. CORRECTION  
T:APPLICATION CORRECTION Z:REMARKS CHANGE



# PARTS CATALOGUE NEWS

Honda Motor Co., Ltd. Service Division

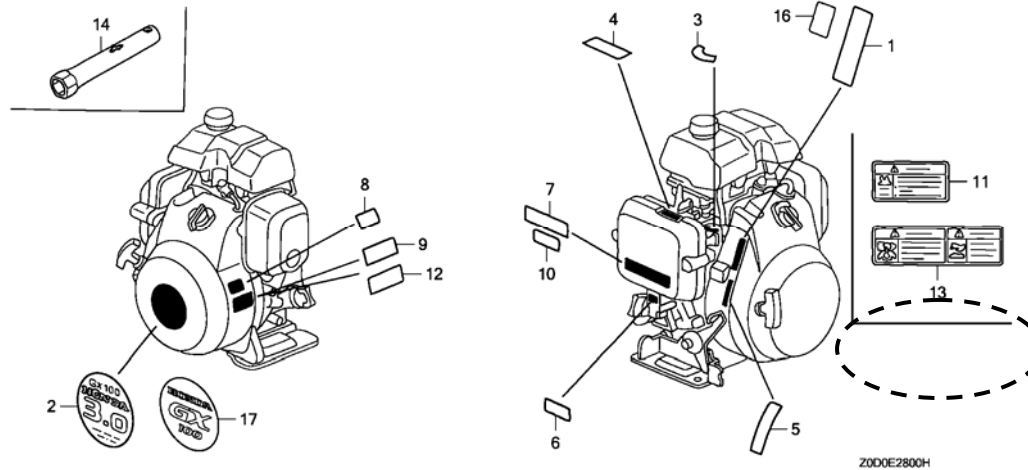
## PARTS CATALOGUE - CORRECTED

Printed in Japan

CODE NO.	BOOKLET TYPE	13Z0D0E3
	MICRO-FICHE	13Z0D0EC/FC
PARTS CATALOGUE NEWS	GX100	
NEWS NO.	022	

Block No.	Ref. No.	Note	Part No.	Description	Reqd. QTY	Serial No.	Parts catalogue code
					GX 100		

E-28 LABEL



E-28 18 E 87528-Z0D-000 \*PARTS NO. DELETION

NOTE A:PART NO. CHANGE D:NEWLY PROVIDED E:PART NO. DELETION K:REQUIRED NO. CORRECTION L:APPLICATION SERIAL NO. CORRECTION  
T:APPLICATION CORRECTION Z:REMARKS CHANGE





# PARTS CATALOGUE NEWS

Honda Motor Co., Ltd. Service Division

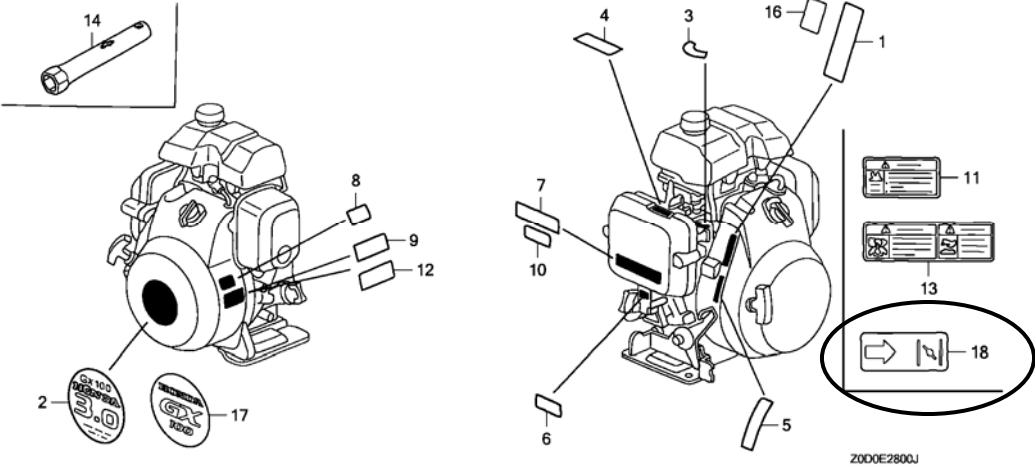
## PARTS CATALOGUE - CORRECTED

Printed in Japan

CODE NO.	BOOKLET TYPE	13Z0D0E3
	MICRO-FICHE	13Z0D0EC/FC
PARTS CATALOGUE NEWS	GX100	
NEWS NO.	023	

Block No.	Ref. No.	Note	Part No.	Description	Reqd. QTY	Serial No.	Parts catalogue code
					GX100		

E-28 LABEL



E-28	18	D	87528-Z0D-000	MARK, CHOKE INDICATION .....	1	-----	KRF1
------	----	---	---------------	------------------------------	---	-------	------

NOTE A:PART NO. CHANGE D:NEWLY PROVIDED E:PART NO.DELETION K:REQUIRED NO. CORRECTION L:APPLICATION SERIAL NO. CORRECTION  
T:APPLICATION CORRECTION Z:REMARKS CHANGE

May 01, 2008



## PARTS CATALOGUE NEWS

Honda Motor Co., Ltd. Service Division

Printed in Japan

CODE NO.	BOOKLET TYPE	13Z0D0E3
	MICRO- FICHE	13Z0D0EC/FC
PARTS CATALOGUE NEWS	GX100	
NEWS NO.	024	

### GX100-KRB3 type sales information

NOTE: This Parts Catalogue News explains only the parts of the different model that are produced to conform to addition of the GX100-KRB3 type.

As for the parts not listed on this Parts Catalogue News, use the parts of the GX100-KRB1 type.

BOOKNo. : 13Z0D0E3

• **Models, parts catalogue codes and applicable serial numbers**

Model	Type		Parts catalogue type	Applicable engine serial No.	Applicable carburetor identification No.
GX100	KRB1	Base type	KRB1	GCANM-1100001~ 1299999	BF33D B
	KRB3	Additional type	KRB3	GCANM-1300001~	BF33J A

• **Features of each type**

		Base type	Additional type
Specifications	Model	GX100	
	Type	KRB1	KRB3
Crankshaft	15.8mm Ø Straight		
	15mm Ø Straight		
	17mm Ø Straight		
	Tapered		●
	M10 Stepped thread		
	M12 Stepped thread	●	
Oil alert unit			
Fuel tank			

## PARTS CATALOGUE NEWS

BOOKNo. : 13ZOD0E3

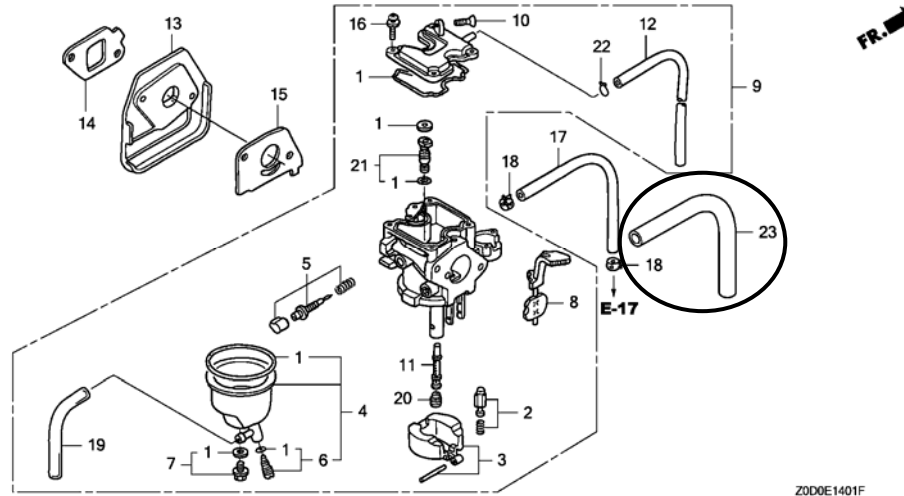
Block No.	Ref. No.	Part No.	Description	Reqd. QTY	Base Part No.	Parts catalogue code
				GX 100		
E-3	10	15721-ZOD-V70	TUBE, BREATHER (BOMAG) .....	1	15721-ZOD-000	
E-6	23		FLANGE, P. T. O. ....	0	11511-ZOD-V10	
	26		DOWEL PIN, 6X10 .....	0	94303-06100	
	27		BOLT, FLANGE, 8X45 .....	0	95701-08045-00	
	28		BOLT-WASHER, 10X40 .....	0	93402-10040-00	
E-7	4	13310-ZOD-V70	CRANKSHAFT COMP. ....	1		
	5		KEY, WOODRUFF, 13X12 .....	0	90741-ZOD-V50	
	9		CRANKSHAFT COMP. ....	0	13310-ZOD-V00	
	10		NUT, HEX., 12MM .....	0	94002-12000-0S	
E-11-1	1	28400-ZOD-V03ZA	STARTER ASSY., RECOIL *NH1*..... BLACK	1	28400-ZOD-V02ZA	
	9	28462-ZOD-V03	ROPE, RECOIL STARTER .....	1	28462-ZOD-V02	
E-12	1	19610-Z4E-S30ZA	COVER COMP., FAN *NH1*..... BLACK	1	19610-ZOD-V00ZB	
	2		SWITCH ASSY., ENGINE STOP ....	0	36100-ZE1-015	

PARTS CATALOGUE NEWS

BOOKNo. : 13ZOD0E3

Block No.	Ref. No.	Part No.	Description	Reqd. QTY GX 100	Base Part No.	Parts catalogue code
-----------	----------	----------	-------------	------------------------	---------------	----------------------

E-14-1 CARBURETOR (RAMMER FLOAT)



ZOD0E1401F

E-14-1	8	16044-ZOD-S01	LEVER SET, CHOKE .....	1	16044-ZOD-V21	
	9	16100-ZOD-S01	CARBURETOR ASSY. (BF33J A) ...	1	16100-ZOD-V22	
	17	95001-45230-50	HOSE, FUEL, 4.5X230 (95001-45001-50M)	1	95001-45210-50	
	20	99101-ZG0-0520	JET, MAIN, #52 .....	(1)	99101-ZG0-0580	
		99101-ZG0-0580	JET, MAIN, #58 .....	1	99101-ZG0-0600	
	23	95003-36026-20	TUBE, VINYL, 11X13X260 (95003-36001-10M)	1		
E-15	1		ELEMENT, AIR CLEANER .....	0	17211-ZL8-003	
	3		CASE COMP., AIR CLEANER .....	0	17220-ZOD-V20	
	4		COVER, AIR CLEANER .....	0	17231-ZOD-V61	
	5		PACKING, AIR CLEANER .....	0	17228-ZOD-V21	
	7		BOLT, AIR CLEANER COVER .....	0	90011-ZOD-000	

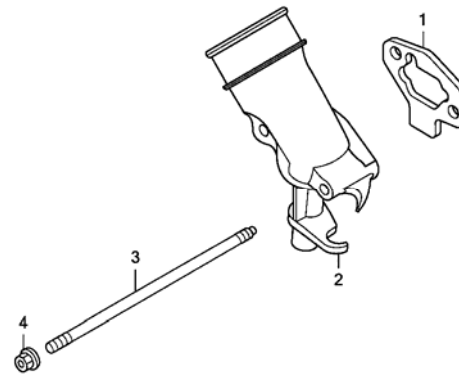
PARTS CATALOGUE NEWS

BOOKNo. : 13ZOD0E3

Block No.	Ref. No.	Part No.	Description	Reqd. QTY	Base Part No.	Parts catalogue code
				GX 100		
	9		BOLT, STUD .....	0	90041-Z0D-V20	
	10		BOLT, STUD, 5X75 (CT200) .....	0	90042-Z0D-V20	
	11		NUT, FLANGE, 5MM .....	0	94050-05000	
	12		NUT, FLANGE, 6MM .....	0	94050-06000	

E-15-1 AIR CLEANER ELBOW

Ref. No.	(Relative ref. Number)	Description	FRT
1	3121D9	PACKING, AIR CLEANER .....	0.1
2	3121B4	ELBOW, AIR CLEANER .....	0.1



FR.   
Z0D0E1501

E-15-1	1	17228-Z0D-V21	PACKING, AIR CLEANER .....	1		
	2	17410-Z0D-S00	ELBOW COMP., AIR CLEANER .....	1		
	3	90042-Z4E-S30	BOLT, STUD, 5X95 .....	2		
	4	94050-05000	NUT, FLANGE, 5MM .....	2		
E-16-1	2	18321-Z0D-V21	PROTECTOR, MUFFLER .....	1	18321-Z0D-V20	
	7	18350-ZL8-000	ARRESTER COMP., SPARK .....	(1)		
	8	90055-ZE1-000	SCREW, TAPPING, 4X6 .....	(1)		
E-17	13	16910-Z4E-S21	STRAINER COMP., FUEL .....	1	16910-GB2-005	

## PARTS CATALOGUE NEWS

BOOKNo. : 13ZOD0E3

Block No.	Ref. No.	Part No.	Description	Reqd. QTY	Base Part No.	Parts catalogue code
				GX 100		
	15	95001-45060-50	HOSE, FUEL, 4.5X60 (95001-45001-50M)	1	95001-45080-50	
E-19	10	28451-Z0D-V03	PULLEY, STARTER .....	1	28451-Z0D-V02	
	11	30500-Z0D-V02	COIL ASSY., IGNITION .....	1	30500-Z0D-V01	
E-22-1	11	92301-05020-0A	BOLT, RECESSED, 5X20 .....	2	92301-05020-0A	
	13		NUT, HEX., 5MM .....	0	94001-05000-0S	
	16		CONTROL ASSY. ....	0	16500-Z0D-V50	
	18	16500-Z4E-S30	CONTROL ASSY. ....	1		
	19	94001-05000	NUT, HEX., 5MM .....	2		
E-28	1		LABEL, E-SPEC (15.5X27.5) ....	0	87135-ZE2-020	
	2		EMBLEM (RAMMA) (GX100 3.0) ....	0	87521-Z0D-V01	
	4		MARK, CHOKE INDICATION .....	0	87528-Z0D-000	
	6	87601-Z0D-S00	MARK, TYPE (KRB3) .....	1	87601-Z0D-U30	
	16	87114-ZH7-000	LABEL, WARNING (NOT CERTIFIED FOR SALE)	1		
	17	87521-Z0D-V02	EMBLEM (RAMMA) (GX100) .....	1		
	18	87528-Z0D-000	MARK, CHOKE INDICATION .....	1		
E-40	35	94303-06100	DOWEL PIN, 6X10 .....	2		



# PARTS CATALOGUE NEWS

Honda Motor Co., Ltd. Service Division

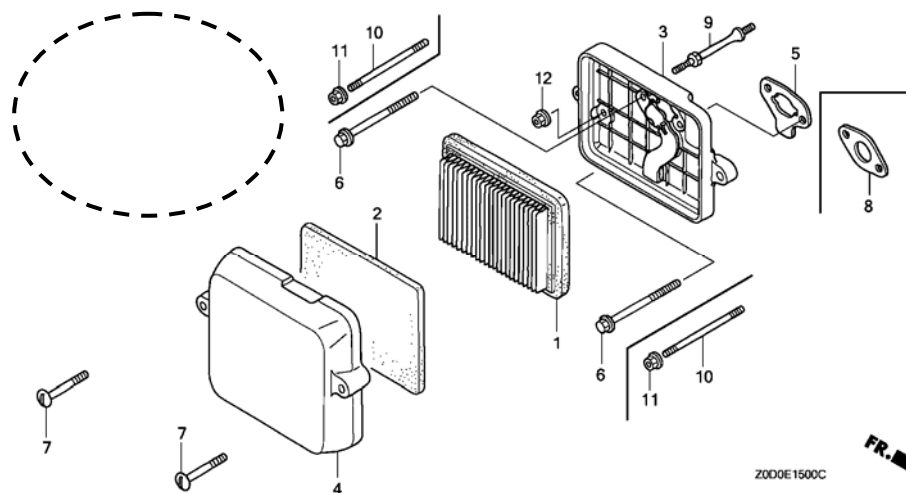
## PARTS CATALOGUE - CORRECTED

Printed in Japan

CODE NO.	BOOKLET TYPE	13Z0D0E3
	MICRO-FICHE	13Z0D0EC/FC
PARTS CATALOGUE NEWS	GX100	
NEWS NO.	025	

Block No.	Ref. No.	Note	Part No.	Description	Reqd. QTY	Serial No.	Parts catalogue code
					GX 100		

E-15 AIR CLEANER



NOTE A:PART NO. CHANGE D:NEWLY PROVIDED E:PART NO. DELETION K:REQUIRED NO. CORRECTION L:APPLICATION SERIAL NO. CORRECTION  
T:APPLICATION CORRECTION Z:REMARKS CHANGE



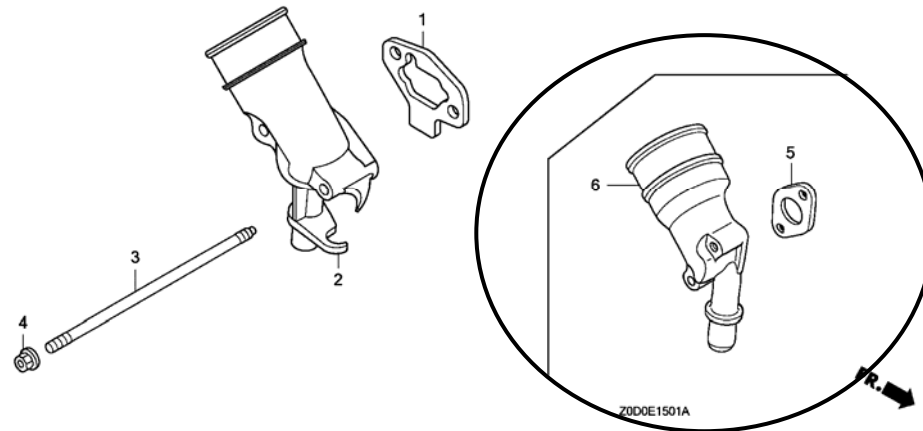
PARTS CATALOGUE NEWS

BOOKNo. : 13ZOD0E3

Block No.	Ref. No.	Note	Part No.	Description	Reqd. QTY	Serial No.	Parts catalogue code
					GX 100		
E-15	8	T	17228-Z0D-V01	PACKING, AIR CLEANER .....	1	-----	KRAM, KRAM/A, KRBM, KRE4, KRE4/A, KRE4/B, KRF2, KRG, KRG/A, KRG/B, KRM, KRMB, KRMG, KRW, KR4, KR4/A, KR4/B
	11	T	94050-05000	NUT, FLANGE, 5MM .....	2	-----	KR, KR/A, KR/B, KRAM, KRAM/A, KRA2, KRA2/A, KRA2/B, KRB, KRB/A, KRB/B, KRBD, KRBD/A, KRBM, KRB1, KRB1/A, KRB4, KRB4/A, KRB4/B, KRE, KRE/A, KRE/B, KRE4, KRE4/A, KRE4/B, KRF2, KRG, KRG/A, KRG/B, KRM, KRMB, KRMG, KRS, KRS/A, KRS2, KRW, KRW2, KRW2/A, KR4, KR4/A, KR4/B
	13	E	17410-Z4E-S30	*PARTS NO. DELETION			
	14	E	90042-Z4E-S30	*PARTS NO. DELETION			

E-15-1 AIR CLEANER ELBOW

Ref. No.	(Relative ref. Number)	Description	FRT
1	(5)	3121D9 PACKING, AIR CLEANER .....	0.1
2	(6)	3121B4 ELBOW, AIR CLEANER .....	0.1



E-15-1	3	T	90042-Z4E-S30	BOLT, STUD, 5X95 .....	2	-----	KRB3, KRF1
	4	T	94050-05000	NUT, FLANGE, 5MM .....	2	-----	KRB3, KRF1
	5	D	17228-Z0D-V01	PACKING, AIR CLEANER .....	1	-----	KRF1
	6	D	17410-Z4E-S30	ELBOW, AIR CLEANER .....	1	-----	KRF1

NOTE A:PART NO. CHANGE D:NEWLY PROVIDED E:PART NO.DELETION K:REQUIRED NO. CORRECTION L:APPLICATION SERIAL NO. CORRECTION  
T:APPLICATION CORRECTION Z:REMARKS CHANGE

March 02, 2009



## PARTS CATALOGUE NEWS

Honda Motor Co., Ltd. Service Division

Printed in Japan

CODE NO.	BOOKLET TYPE	13Z0D0E3
	MICRO- FICHE	13Z0D0EC/FC
PARTS CATALOGUE NEWS	GX100	
NEWS NO.	026	

### GX100-KRH and SDH types sales information

NOTE: This Parts Catalogue News explains only the parts of the different model that are produced to conform to addition of the GX100-KRH and SDH types.

As for the parts not listed on this Parts Catalogue News, use the parts of the GX100-KR4/B and SD/B types.

• **Models, parts catalogue codes and applicable serial numbers**

Model	Type		Parts catalogue type	Applicable engine serial No.	Applicable carburetor identification No.
GX100	KR4	Base type	KR4/B	GCANM-1300001~ 9999999	HDA 201A/B/C/D
	KRH	Additional type	KRH	GCANM-1300001~	HDA 201D
	SD	Base type	SD/B		BF32F B
	SDH	Additional type	SDH		

• **Features of each type**

		Base type	Additional type	Base type	Additional type
Specifications	Model	GX100			
	Type	KR4	KRH	SD	SDH
Crankshaft	15.8mm Ø Straight				
	15mm Ø Straight			●	●
	17mm Ø Straight				
	Tapered				
	M10 Stepped thread				
	M12 Stepped thread	●	●		
Oil alert unit					
Fuel tank				●	●

## PARTS CATALOGUE NEWS

BOOKNo. : 13ZOD0E3

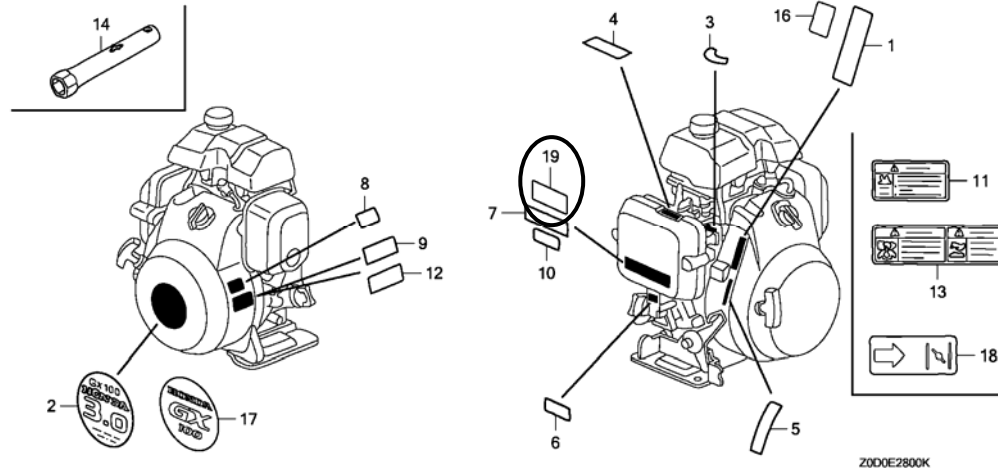
Block No.	Ref. No.	Part No.	Description	Reqd. QTY	Base Part No.	Parts catalogue code
				GX 100		
E-11	1		STARTER ASSY., RECOIL *NH1*..... BLACK	0	28400-ZOD-003ZB	SDH
E-11-1	1		STARTER ASSY., RECOIL *R280*..... POWER RED	0	28400-ZOD-V02ZC	KRH
		28400-ZOD-V03ZC	*R280*..... POWER RED	1	28400-ZOD-V02ZA	KRH
	2		CASE COMP., RECOIL STARTER *NH1*..... BLACK	0	28410-ZOD-V02ZA	KRH
	9	28462-ZOD-V03	ROPE, RECOIL STARTER .....	1	28462-ZOD-V02	KRH
E-12	1		COVER COMP., FAN *NH1*..... BLACK	0	19610-ZOD-V00ZB	KRH
			*NH1*..... BLACK	0	19610-ZOD-000ZB	SDH
	2	35120-ZOD-V81	SWITCH ASSY., ENGINE STOP ....	1	36100-ZH8-W41	KRH
E-14-2	16	16046-ZOD-V03	LEVER, THROTTLE .....	1	16046-ZOD-V03	KRH
	29	16059-ZOD-V03	VALVE, CHOKE .....	1	16059-ZOD-V03	KRH
	33	16211-ZOD-V01	INSULATOR, CARBURETOR .....	1	16211-ZOD-V00	KRH
	36	16214-ZOD-V01	PACKING B, INSULATOR .....	1	16214-ZOD-V00	KRH
E-16-1	2	18321-ZOD-V01	PROTECTOR, MUFFLER .....	1	18321-ZOD-V00	KRH
	7	18350-ZL8-000	ARRESTER COMP., SPARK .....	(1)		KRH
	8	90055-ZE1-000	SCREW, TAPPING, 4X6 .....	(1)		KRH
E-19	10	28451-ZOD-V03	PULLEY, STARTER .....	1	28451-ZOD-V02	KRH

PARTS CATALOGUE NEWS

BOOKNo. : 13Z0D0E3

Block No.	Ref. No.	Part No.	Description	Reqd. QTY GX 100	Base Part No.	Parts catalogue code
-----------	----------	----------	-------------	------------------------	---------------	----------------------

E-28 LABEL



Z0D0E2800K

E-28	2		EMBLEM (RAMMA) (GX100 3.0) . . . .	0	87521-Z0D-V01	KRH
	6	87601-Z0D-890	MARK, TYPE (KRH) . . . . .	1	87601-Z0D-V00	KRH
		87601-Z0D-900	MARK, TYPE (SDH) . . . . .	1	87601-ZM3-900	SDH
	16	87114-ZH7-000	LABEL, WARNING (NOT CERTIFIED FOR SALE)	1		KRH
	17	87521-Z0D-V02	EMBLEM (RAMMA) (GX100) . . . . .	1		KRH
	19	87516-ZK6-000	MARK, OPERATOR CAUTION . . . . .	1		

PARTS CATALOGUE NEWS

BOOKNo. : 13Z0D0E3

Block No.	Ref. No.	Part No.	Description	Reqd. QTY GX 100	Base Part No.	Parts catalogue code
E-40			OTHER PARTS			
E-40	36	99101-Z4E-0560	JET (#56) .....	(1)	KRH	