

GENERAL PURPOSE ENGINE

GX200
[GCAE-190/900]
[GCAEB-100]

GX200
[PROPANE ENGINE]
[GDAB-101]

PARTS CATALOGUE

2



GX200

FOREWORD INDEX

1

ENGINE GROUP

2

PART NUMBER INDEX

3

PART NAME INDEX

4

Instruction for use of parts catalogue

- **This parts catalogue was prepared based on the latest information available as of August 31, 2007.**
- See the parts catalogue news for any revision that is made after August 31, 2007.
- **Always specify the part number when ordering a part.**
- Check the model, type, serial numbers, color, maker, and the size as needed before ordering a part.
- Note that the illustrations (part drawings) can differ from the actual parts in shape. They are given just to help you to refer to the parts.
- **When modifications or additions to this parts catalogue are made, a revised edition will be issued at an appropriate time, with successively progressing revision numbers on the cover. We recommend obtaining such revisions in order to keep your parts catalogue up-to-date at all times. To check whether a parts catalogue revision has been issued, please contact your Honda distributor.**

Initial version issue date **October 10, 2003**
Honda Motor Co., Ltd.

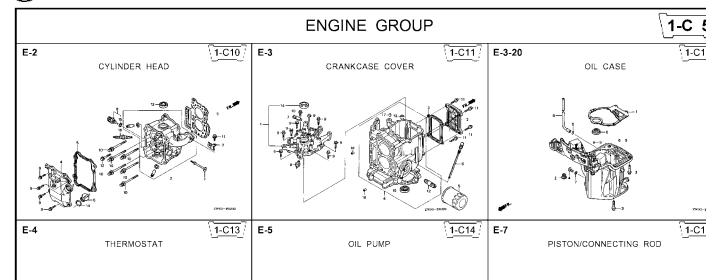
CONTENTS

| | Page | Address No. | |
|---|------|-------------|----------|
| ● Instruction for use of parts catalogue | 1 | B 1 | 1 |
| ● How to refer to the part information | 2 | B 2 | |
| ● Part catalogue structure | 3 | B 3 | |
| ● When the parts were revised | 4 | B 4 | |
| ● Abbreviations used in the parts catalogue | 4 | B 4 | |
| ● How to check the part block and serial numbers | 5 | B 5 | |
| ● Models, parts catalogue codes and applicable serial numbers | 6 | B 6 | |
| ● Features of each type | 10 | B10 | |
| ● Fuel hose, general purpose hoses and vinyl hose | 18 | C 2 | |
| ● FLAT RATE SERVICE TIME | 19 | C 3 | |
| ● Illustrated index | 24 | C 8 | |
| ● ENGINE GROUP | 29 | D 1 | 2 |
| ● PART NO. INDEX | 129 | K 1 | 3 |
| ● PART NAME INDEX | 133 | L 1 | 4 |



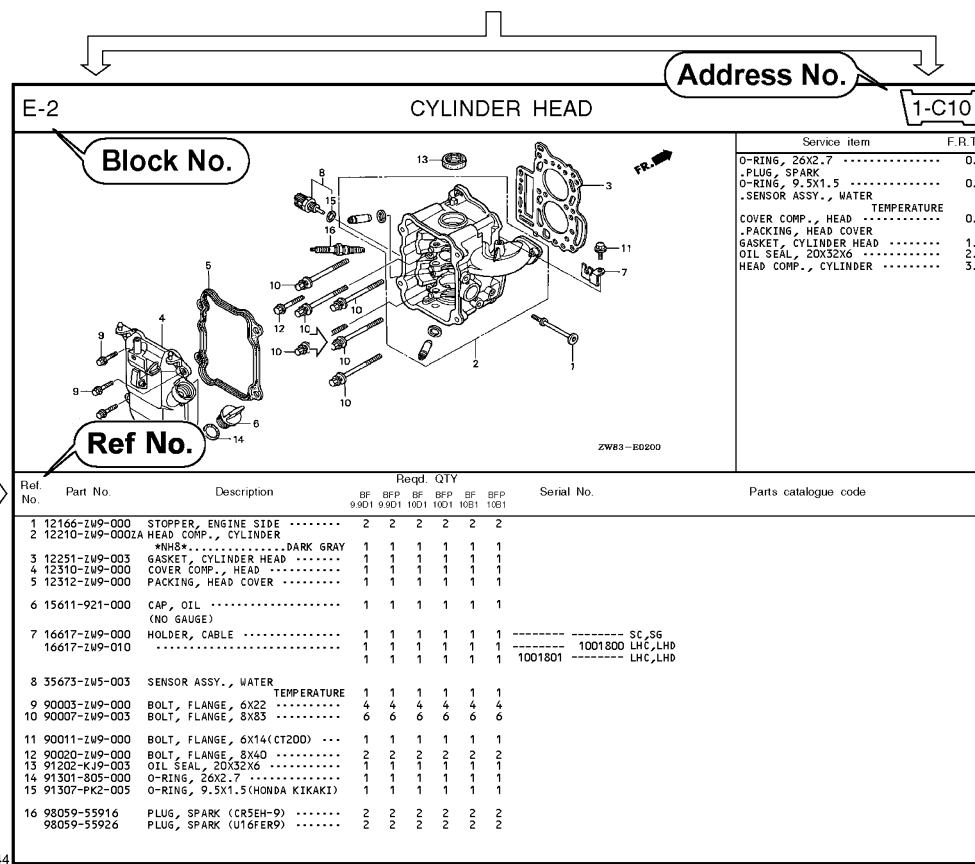
How to refer to the part information

A Reference with "Illustrated index"



B Reference with "Part number index"

| PART NO. INDEX | | | | | |
|-----------------|---------|------|------|---------------|--------------|
| Part Number | Address | Page | Rel. | Part Number | Address Page |
| 06000 | | | | 15212-ZW9-000 | 1-C14 3C |
| 06316-ZW9-000 | 1-69 | 88 | 1 | 15220-ZW9-003 | 1-C14 3C |
| 11000 | | | | 15332-ZW9-000 | 1-E8 55 |
| 11300-ZW9-405 | 1-C11 | 27 | 1 | 15332-ZW9-A30 | 1-E11 5E |
| 11300-ZW9-406 | 1-C11 | 27 | 1 | 15400-PFB-004 | 1-C11 27 |
| 11340-ZW9-000 | 1-C11 | 27 | 2 | 15422-ZW9-000 | 1-C14 3C |
| 11342-ZW9-000 | 1-C11 | 27 | 3 | 15473-881-000 | 1-C14 3C |
| 11381-ZW9-003 | 1-C12 | 28 | 1 | 15474-ZW9-000 | 1-C14 3C |
| | | | | 15611-921-000 | 1-C10 2E |
| | | | | 15655-ZW9-000 | 1-C11 27 |
| | | | | 16000 | |
| 12000 | | | | 16010-ZV4-005 | 1-D4 3E |
| 12000-ZW9-405ZA | 1-C11 | 27 | 4 | 16011-ZV4-005 | 1-D4 3E |
| 12155-ZV4-A00 | 1-C13 | 29 | 1 | 16013-ZW9-003 | 1-D4 3E |
| 12166-ZW9-000 | 1-C10 | 26 | 1 | 16016-ZW9-003 | 1-D4 3E |
| 12209-GB4-681 | 1-C16 | 32 | 1 | 16016-ZW9-721 | 1-D4 3E |
| 12210-ZW9-405ZA | 1-C10 | 26 | 2 | 16023-ZW9-003 | 1-D4 3E |
| 12216-ZE2-300 | 1-E8 | 55 | 1 | 16024-ZV4-650 | 1-D4 3E |
| | 1-E11 | 58 | 1 | 16028-ZV4-650 | 1-D4 3E |



C Reference with "Part name index"

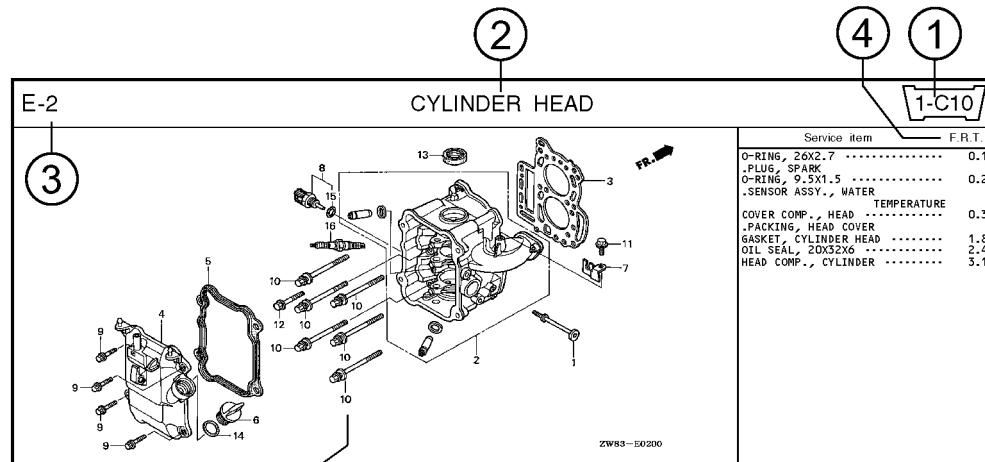
| PART NAME INDEX | | | | |
|-------------------------|---------|------|------|-------|
| Part name | Address | Page | Ref. | |
| [A] | | | | |
| ABSORBER, FUEL | 1-E15 | 62 | 5 | BOLT, |
| ARMATURE COMP. | 1-D11 | 43 | 7 | BOLT, |
| ARM COMP., LINK JOINT | 1-G6 | 85 | 18 | BOLT, |
| ARM COMP., SHIFT LINK | 1-G6 | 85 | 14 | BOLT, |
| ARM COMP., TILT | 1-F15 | 79 | 20 | |
| ARM, FUEL PUMP ROCKER | 1-C16 | 32 | 4 | |
| ARM, REVERSE LOCK | 1-F15 | 79 | 18 | |
| ARM, SHIFT LINK | 1-F11 | 74 | 7 | |
| ARM, STOPPER | 1-D1 | 33 | 12 | BOLT, |
| ARM, THROTTLE REMOTE | 1-F11 | 74 | 6 | |
| ARM, VALVE ROCKER | 1-C16 | 32 | 3 | |
| [B] | | | | |
| BAG, TOOL, 160MM | 1-G5 | 84 | 10 | |
| BAND | 1-G6 | 86 | 37 | |
| BAND B1, WIRE | 1-F6 | 69 | 1 | |
| BAND, CORD | 1-F3 | 67 | 18 | BOLT, |
| BAND, TUBE CLIP, 11MM | 1-E15 | 63 | 20 | |
| BAND, TUBE CLIP, 12.5MM | 1-E15 | 63 | 19 | BOLT, |

| Ref. No. | Part No. | Description | Reqd. QTY | | | | | | Serial No. | Parts catalogue code |
|----------|-----------------|---------------------------------|-----------|------|------|------|------|---------|------------|----------------------|
| | | | 99D1 | 99D1 | 1001 | 1001 | 1001 | 1001 | | |
| 1 | 12166-ZW9-000 | STOPPER, ENGINE SIDE | 2 | 2 | 2 | 2 | 2 | | | |
| 2 | 12210-ZW9-000ZA | HEAD COMP., CYLINDER | 1 | 1 | 1 | 1 | 1 | | | |
| 3 | 12251-ZW9-003 | GASKET, CYLINDER HEAD | 1 | 1 | 1 | 1 | 1 | | | |
| 4 | 12310-ZW9-000 | COVER COMP., HEAD | 1 | 1 | 1 | 1 | 1 | | | |
| 5 | 12312-ZW9-000 | PACKING, HEAD COVER | 1 | 1 | 1 | 1 | 1 | | | |
| 6 | 15611-921-000 | CAP, OIL (NO GAUGE) | 1 | 1 | 1 | 1 | 1 | | | |
| 7 | 16617-ZW9-000 | HOLDER, CABLE | 1 | 1 | 1 | 1 | 1 | | SC,SG | |
| | 16617-ZW9-010 | | 1 | 1 | 1 | 1 | 1 | 1001800 | LHC,LHD | |
| | | | 1 | 1 | 1 | 1 | 1 | 1001801 | LHC,LHD | |
| 8 | 35673-ZW5-003 | SENSOR ASSY., WATER TEMPERATURE | 1 | 1 | 1 | 1 | 1 | | | |
| 9 | 90003-ZW9-000 | BOLT, FLANGE, 6X22 | 4 | 4 | 4 | 4 | 4 | | | |
| 10 | 90007-ZW9-003 | BOLT, FLANGE, 8X83 | 6 | 6 | 6 | 6 | 6 | | | |
| 11 | 90011-ZW9-000 | BOLT, FLANGE, 6X14 (CT200) | 1 | 1 | 1 | 1 | 1 | | | |
| 12 | 90020-ZW9-000 | BOLT, FLANGE, 8X40 | 2 | 2 | 2 | 2 | 2 | | | |
| 13 | 91202-KJ9-003 | OIL SEAL, 20X32X6 | 1 | 1 | 1 | 1 | 1 | | | |
| 14 | 91301-805-000 | O-RING, 26X2.7 | 1 | 1 | 1 | 1 | 1 | | | |
| 15 | 91307-PK2-005 | O-RING, 9.5X1.5 (HONDA KIKAKI) | 1 | 1 | 1 | 1 | 1 | | | |
| 16 | 98059-55916 | PLUG, SPARK (CR5EH-9) | 2 | 2 | 2 | 2 | 2 | | | |
| | 98059-55926 | PLUG, SPARK (U16FER9) | 2 | 2 | 2 | 2 | 2 | | | |

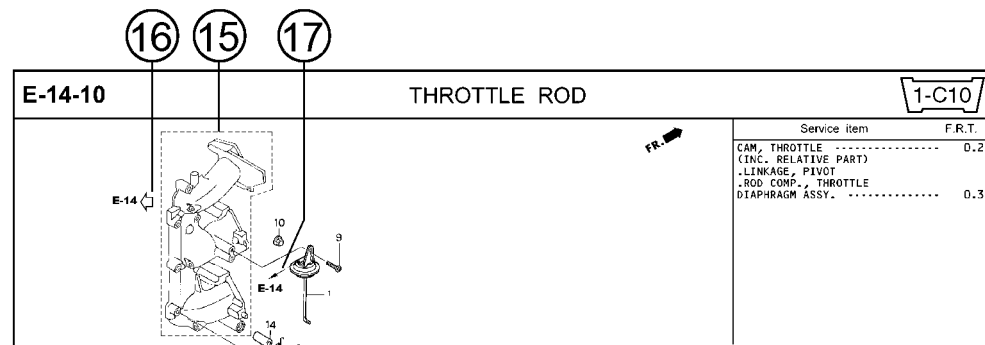
Page No.

2000.09.20 E

Part catalogue structure



| Ref. No. | Part No. | Description | Reqd. QTY | | | | | | Serial No. | Parts catalogue code |
|----------|-----------------|---|-----------|-----------|---------|----------|---------|----------|-----------------|----------------------|
| | | | BF 9/901 | BFP 9/901 | BF 1001 | BFP 1001 | BF 1081 | BFP 1081 | | |
| 1 | 12166-zw9-000 | STOPPER, ENGINE SIDE | 2 | 2 | 2 | 2 | 2 | 2 | | |
| 2 | 12210-zw9-000ZA | HEAD COMP., CYLINDER *NH8* DARK GRAY | 1 | 1 | 1 | 1 | 1 | 1 | | |
| 3 | 12251-zw9-003 | GASKET, CYLINDER HEAD | 1 | 1 | 1 | 1 | 1 | 1 | | |
| 4 | 12310-zw9-000 | COVER COMP., HEAD | 1 | 1 | 1 | 1 | 1 | 1 | | |
| 5 | 12312-zw9-000 | PACKING, HEAD COVER | 1 | 1 | 1 | 1 | 1 | 1 | | |
| 6 | 15611-921-000 | CAP, OIL (NO GAUGE) | 1 | 1 | 1 | 1 | 1 | 1 | | |
| 7 | 16617-zw9-000 | HOLDER, CABLE | 1 | 1 | 1 | 1 | 1 | 1 | SC,S6 | |
| | 16617-zw9-010 | | 1 | 1 | 1 | 1 | 1 | 1 | 1001800 LHC,LHD | |



① Address number

- Address No. is provided (in place of the page No.) to help you refer to the part with the part No. or part name.

② Block title ③ Block number

④ Service item/Flat rate time

⑤ Reference number

- Title number marked with the parenthesis or parentheses indicates that it continues from the previous page.

⑥ Part number ⑦ Honda color code

⑧ Description

⑨ Assemblies

- Sections framed with broken lines in the exploded view drawings are available as complete assemblies. (Their individual parts can also be obtained.)

⑩ Color description

⑪ Note

- Notes are shown with the parentheses in the part name column.

⑫ Required quantity

- Required QTY shown in the parenthesis or parentheses indicates the optional part.
- Required QTY marked with "N" Indicates the optional part that should be selected as needed.
- Required QTY indicates the number of the part used in the block.

⑬ Serial number

⑭ Type

- When the type column is blank, it indicates that the part is applicable to all types.
- As the type of the actual unit may differ from the "parts catalogue, type" please refer to "Models, types and applicable serial numbers" for confirmation.

⑮

- Parts enclosed within a dotted line are covered in a different block.

⑯

- A hollow arrow indicates the block No. for the parts enclosed within a dotted line .

⑰

- A solid arrow indicates the block No. the part in question is connected to.

When the parts were revised



Be sure to check the serial number!!



| Ref. No. | Part No. | Description | Reqd. QTY | | | | | | Serial No. |
|----------|-----------------|--|-----------|-----------|---------|----------|---------|----------|--|
| | | | BF 99D1 | BFP 9.9D1 | BF 10D1 | BFP 10D1 | BF 10B1 | BFP 10B1 | |
| 1 | 12166-ZW9-000 | STOPPER, ENGINE SIDE | 2 | 2 | 2 | 2 | 2 | 2 | |
| 2 | 12210-ZW9-000ZA | HEAD COMP., CYLINDER *NH8*.....DARK GRAY | 1 | 1 | 1 | 1 | 1 | 1 | |
| 3 | 12251-ZW9-003 | GASKET, CYLINDER HEAD | 1 | 1 | 1 | 1 | 1 | 1 | |
| 4 | 12310-ZW9-000 | COVER COMP., HEAD | 1 | 1 | 1 | 1 | 1 | 1 | |
| 5 | 12312-ZW9-000 | PACKING, HEAD COVER | 1 | 1 | 1 | 1 | 1 | 1 | |
| 6 | 15611-921-000 | CAP, OIL (NO GAUGE) | 1 | 1 | 1 | 1 | 1 | 1 | |
| 7 | 16617-ZW9-000 | HOLDER, CABLE (###)..... | 1 | 1 | 1 | 1 | 1 | 1 | SC, SG 1001800 LHC, LHD 1001801 LHC, LHD |
| | 16617-ZW9-010 | | 1 | 1 | 1 | 1 | 1 | 1 | |

The number has been used from the initial model without revision. When shown at the left side, it is applicable to the models of No.1001801 and the subsequent numbers. When shown at the right side, it is applicable to the models up to No.1001800.

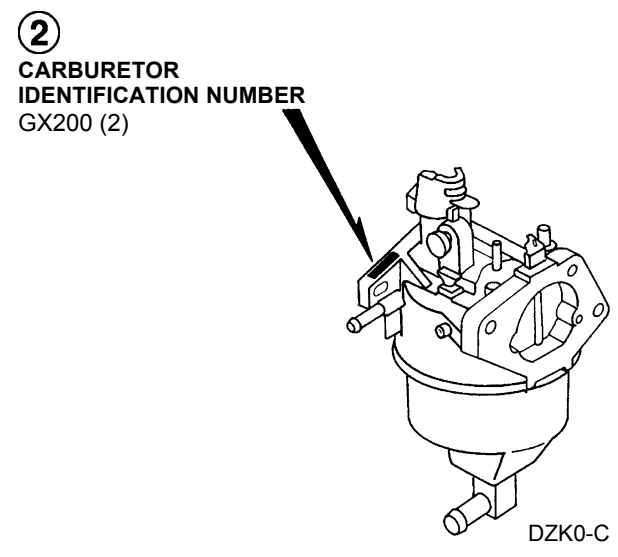
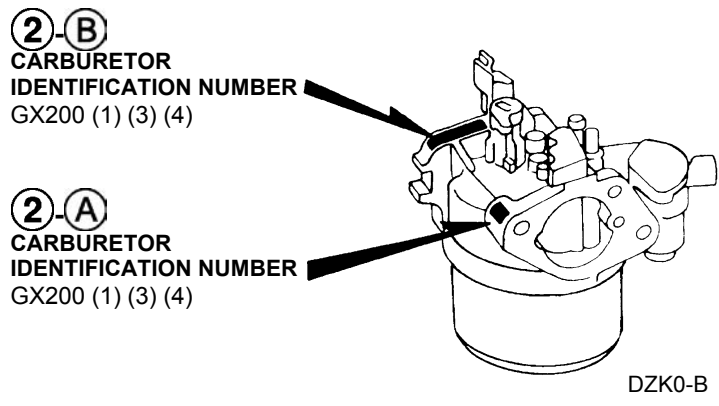
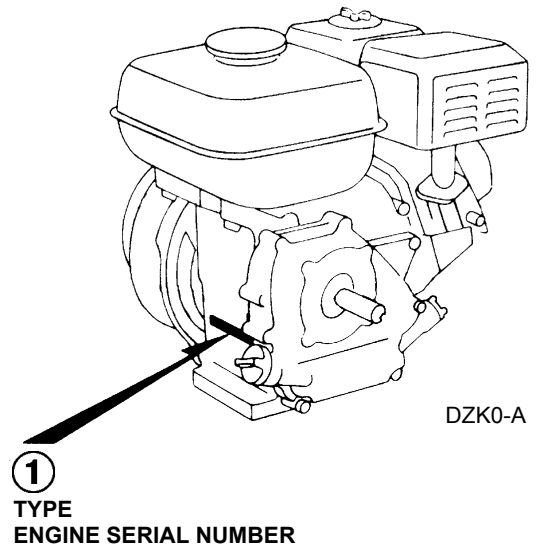
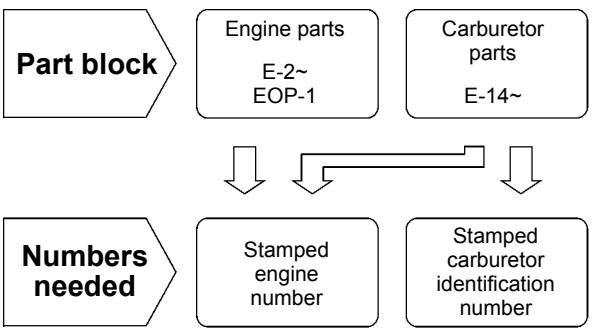
• The parts listed with "###" at the end of the parts name have limited supply period (parts not for sale).

Abbreviations used in the parts catalogue

• The following abbreviations are used in the parts name column.

- A Ampere
- A.C. Alternating current
- ASSY. Assembly
- AT. Automatic transmission
- C.D.I. Capacitive discharge ignition
- COMP. ... Complete
- D.C. Direct current
- EX. Exhaust
- G.F.C.I ... Ground fault circuit interruptor
- HEX. Hexagonal
- H.S.T. Hydrostatic transmission
- FR.Front
- IN.Inlet
- L (100L) .Link (100 Links)
- L.Left
- MMMillimeter
- MT.Manual Transmission
- P.T.O.Power take off
- R.Right
- RR.Rear
- STD.Standard
- T (22T) ...Tooth (22 Teeth)
- VVolt
- WWatt

How to check the part block and serial numbers



Models, parts catalogue codes and applicable serial numbers

• Models, parts catalogue codes and applicable serial Nos. given in this parts catalogue can be identified as follows.

| Model | Type | Parts catalogue type | Applicable engine serial No. | Applicable carburetor identification No. | |
|----------|------|----------------------|------------------------------|--|--------------------|
| GX200(1) | BL | BL | GCAE-1900001~ | BE64S A | |
| | HX | HX | | GCAE-1900001~8999999 | BE64B B BE64B C |
| | HXU | HXU | | | |
| | HX2 | HX2 | | | |
| | HX26 | HX26 | | | |
| | LAC | LAC | GCAE-1900001~ | | |
| | LH | LH | | BE64B B BE64B C | |
| | LHB2 | LHB2 | | | |
| | LHP1 | LHP1 | | | |
| | LHQ4 | LHQ4 | GCAE-1900001~8999999 | | GCAE-1900001~ |
| | LJ | LJ | BE64C B | | |
| | LJC1 | LJC1 | | | |
| | LJG | LJG | | | |
| | LSK | LSK | | BE59A A | |
| | LVL | LVL | | BE64S A | |
| | LX2 | LX2 | | GCAE-1900001~8999999 | |
| | LX4 | LX4 | | | |

| Model | Type | Parts catalogue type | Applicable engine serial No. | Applicable carburetor identification No. |
|----------|------|----------------------|------------------------------|--|
| GX200(1) | NDJ | NDJ | GCAE-1900001~8999999 | BE64B B BE64B C BE64E B |
| | NJ | NJ | GCAE-1900001~ | BE64C B |
| | NJC1 | NJC1 | | BE64U A |
| | NJG | NJG | | BE64C B |
| | NMB | NMB | | |
| | NTB | NTB | | |
| | NTU | NTU | | |
| | NW | NW | | |
| | NX | NX | GCAE-1900001~8999999 | BE64B B BE64B C |
| | PX | PX | | |
| | PXU | PXU | | |
| | QAB2 | QAB2 | GCAE-1900001~ | BE64E B |
| | QD | QD | GCAE-1900001~8999999 | BE69A B |
| | QG2 | QG2 | | GCAE-1900001~ |
| | QH | QH | | |
| | QHP1 | QHP1 | | |
| | QHQ4 | QHQ4 | GCAE-1900001~8999999 | |

| Model | Type | Parts catalogue type | Applicable engine serial No. | Applicable carburetor identification No. |
|----------|------|----------------------|------------------------------|--|
| GX200(1) | QH26 | QH26 | GCAE-1900001~8999999 | BE64B B BE64B C |
| | QH4 | QH4 | | BE64F B |
| | QJF | QJF | GCAE-1900001~ | BE64C B |
| | QJF1 | QJF1 | | BE64U A |
| | QM | QM | GCAE-1900001~8999999 | BE69A B |
| | QTP | QTP | GCAE-1900001~ | BE64B B BE64B C |
| | QTP2 | QTP2 | GCAE-1900001~8999999 | BE64F B |
| | QVL | QVL | GCAE-1900001~ | BE64S A |
| | QX | QX | | BE64B B BE64B C |
| | QXB2 | QXB2 | GCAE-1900001~8999999 | BE64F B |
| | QXC9 | QXC9 | | BE64B B BE64B C |
| | QXE2 | QXE2 | | |
| | QXE4 | QXE4 | | |
| | QXE6 | QXE6 | | |
| | QXE8 | QXE8 | | |
| | QXF1 | QXF1 | GCAE-1900001~ | BE64U A |

| Model | Type | Parts catalogue type | Applicable engine serial No. | Applicable carburetor identification No. |
|----------|------|----------------------|------------------------------|--|
| GX200(1) | QXH4 | QXH4 | GCAE-1900001~8999999 | BE64F B |
| | QXS2 | QXS2 | | |
| | QXU | QXU | | |
| | QX2 | QX2 | | |
| | QX26 | QX26 | | |
| | QX4 | QX4 | | |
| | QX7 | QX7 | | |
| | RH | RH | | GCAE-1900001~ |
| | RHA2 | RHA2 | GCAE-1900001~8999999 | BE64B B BE64B C |
| | RHQ4 | RHQ4 | | |
| | RH2 | RH2 | | |
| | RH26 | RH26 | | |
| | RJE | RJE | GCAE-1900001~ | |
| | RMG2 | RMG2 | GCAE-1900001~8999999 | |
| | RX | RX | GCAE-1900001~ | |
| | RXU | RXU | GCAE-1900001~8999999 | |
| RX2 | RX2 | | | |

| Model | Type | Parts catalogue type | Applicable engine serial No. | Applicable carburetor identification No. |
|----------|------|----------------------|------------------------------|--|
| GX200(1) | RX4 | RX4 | GCAE-1900001~8999999 | BE64B B BE64B C |
| | SD | SD | GCAE-1900001~ | BE69A B |
| | SDB2 | SDB2 | GCAE-1900001~8999999 | |
| | SH | SH | GCAE-1900001~ | BE64B B BE64B C |
| | SHQ4 | SHQ4 | GCAE-1900001~8999999 | |
| | SJ | SJ | GCAE-1900001~ | BE64C B |
| | SJG | SJG | | |
| | SMC4 | SMC4 | GCAE-1900001~8999999 | BE64B B BE64B C |
| | SMG1 | SMG1 | GCAE-1900001~ | BE64R B |
| | SMG2 | SMG2 | | BE64T A |
| | SM11 | SM11 | GCAE-1900001~8999999 | BE64B B BE64B C |
| | SM12 | SM12 | | |
| | SM14 | SM14 | | |
| SM21 | SM21 | GCAE-1900001~ | | |

| Model | Type | Parts catalogue type | Applicable engine serial No. | Applicable carburetor identification No. | |
|----------|------|----------------------|------------------------------|--|--------------------|
| GX200(1) | SM22 | SM22 | GCAE-1900001~8999999 | BE64B B BE64B C | |
| | SM24 | SM24 | | | |
| | SWG4 | SWG4 | | | |
| | SX | SX | GCAE-1900001~ | | |
| | SXE4 | SXE4 | GCAE-1900001~8999999 | | |
| | SXU | SXU | | | |
| | SX4 | SX4 | | | |
| | SX7 | SX7 | | | |
| | TX | TX | GCAE-1900001~ | | |
| | TXU | TXU | GCAE-1900001~8999999 | | |
| | TXU1 | TXU1 | | | |
| | TX2 | TX2 | | | |
| | VEE1 | VEE1 | GCAE-1900001~ | | |
| | VEN | VEN | | | |
| | VEN1 | VEN1 | | | |
| | VEN2 | VEN2 | GCAE-1900001~8999999 | | BE74H A |
| | VEN4 | VEN4 | GCAE-1900001~ | | BE74A B BE74A C |
| | VES | VES | | | |

| Model | Type | Parts catalogue type | Applicable engine serial No. | Applicable carburetor identification No. | Model | Type | Parts catalogue type | Applicable engine serial No. | Applicable carburetor identification No. |
|----------|------|----------------------|------------------------------|--|-------------------------|----------------------------|----------------------|------------------------------|--|
| GX200(1) | VES1 | VES1 | GCAE-1900001~ | BE64B B BE64B C | GX200(1) | VX | VX | GCAE-1900001~ | BE64B B BE64B C |
| | VGG2 | VGG2 | GCAE-1900001~8999999 | BE64N A | | VXK | VXK | | |
| | VMG1 | VMG1 | GCAE-1900001~ | BE64B B BE64B C | | VXU | VXU | | |
| | VMT | VMT | | BE74A B BE74A C | | VXU1 | VXU1 | | |
| | VPM4 | VPM4 | | BE74H A | | VX2 | VX2 | | |
| | VSD | VSD | GCAE-1900001~8999999 | BE64B B BE64B C | | VX4 | VX4 | | |
| | VSD1 | VSD1 | | BE74A B BE74A C | GX200(2) (Propane) | VXP | VXP | GDAB-1010001~ | BEL1A A |
| | VSD2 | VSD2 | | BE74H A | | GX200(3) (Indonesia-KD) | LVSH | LVSH | GCAE-9000001~ |
| | VSD7 | VSD7 | | BE64B B BE64B C | QVSH | | QVSH | | |
| | VSW | VSW | GCAE-1900001~ | BE74A C BE74L A | SDNI | | SDNI | | |
| | VSW1 | VSW1 | | BE74L A | GX200(4) (Brazil-KD) | QDBR | QDBR | GCAEB-1000001~ | BE69A B |
| | VS17 | VS17 | GCAE-1900001~8999999 | BE74A B BE74A C | | QXBR | QXBR | | BE64B B BE64B C |
| | | | | TXBR | | TXBR | | | |
| | | | | VXBR | | VXBR | | | |

* Of carburetor identification numbers, only the portions underlined in the example below are used for registration.

GX200 (1) (3) (4) BE 64S A KC †

GX200 (2) ^(A) ^(B) BE L1A A KC †

1

Features of each type

- See the following table for the features of each type.

| Specifications | | Model | GX200 | | | | | | | | | | | | | | |
|----------------|----------------|-------|-------|------------------------|-----|-----|------|-----|----|------|------|------|----|------|-----|-----|-----|
| | | | Type | Standard equipment (1) | | | | | | | | | | | | | |
| | | BL | | HX | HXU | HX2 | HX26 | LAC | LH | LHB2 | LHP1 | LHQ4 | LJ | LJC1 | LJG | LSK | LVL |
| Crankshaft | 20mmØSpline | | | | | | ● | ● | ● | ● | ● | ● | ● | ● | ● | ● | ● |
| | 21mmØSpline | | ● | ● | ● | ● | | | | | | | | | | | |
| | 19mmØStraight | | | | | | | | | | | | | | | | |
| | 20mmØStraight | | | | | | | | | | | | | | | | |
| | 3/4"Thread | | | | | | | | | | | | | | | | |
| | 5/8"Thread | | | | | | | | | | | | | | | | |
| | 3/16"ØTapered | | | | | | | | | | | | | | | | |
| | 1/5"ØTapered | ● | | | | | | | | | | | | | | | |
| | Without P.T.O. | | | | | | | | | | | | | | | | |
| Camshaft | Without P.T.O. | ● | ● | ● | ● | ● | ● | ● | ● | ● | ● | ● | ● | ● | ● | ● | ● |
| | With P.T.O. | | | | | | | | | | | | | | | | |
| Starter motor | | | | | | | | | | | | | | | | | |
| Charge coil | | | | | | | | | | | | | | | | | |
| Lamp coil | | | | | | | ● | | | | | | | | | | |
| Air cleaner | Dual | | ● | ● | ● | ● | | ● | ● | ● | ● | | | | | | ● |
| | Semi dri | | | | | | | | | | | ● | ● | ● | ● | | |
| | Cyclone | | | | | | | | | | | | | | | | |
| | Oil bath | ● | | | | | ● | | | | | | | | | ● | |
| | Standard | | | | | | | | | | | | | | | | |

| Specifications | | GX200 | | | | | | | | | | | | | | | |
|----------------|----------------|------------------------|------|----|------|-----|-----|-----|-----|----|----|----|-----|------|----|-----|----|
| | | Standard equipment (1) | | | | | | | | | | | | | | | |
| | | Model | Type | | | | | | | | | | | | | | |
| | | LX4 | NDJ | NJ | NJC1 | NJG | NMB | NTB | NTU | NW | NX | PX | PXU | QAB2 | QD | QG2 | QH |
| Crankshaft | 20mmØSpline | ● | | | | | | | | | | | | | | | |
| | 21mmØSpline | | | | | | | | | | | | | | | | |
| | 19mmØStraight | | | | | | | | | | | | | ● | ● | ● | ● |
| | 20mmØStraight | | | | | | | | | | | | | | | | |
| | 3/4"Thread | | | | | | | | | | | ● | ● | | | | |
| | 5/8"Thread | | | | | | | | | | | | | | | | |
| | 3/16"ØTapered | | | | | | | | | | | | | | | | |
| | 1/5"ØTapered | | | | | | | | | | | | | | | | |
| | Without P.T.O. | | ● | ● | ● | ● | ● | ● | ● | ● | ● | ● | | | | | |
| Camshaft | Without P.T.O. | ● | | | | | | | | | | ● | ● | ● | ● | ● | ● |
| | With P.T.O. | | ● | ● | ● | ● | ● | ● | ● | ● | ● | | | | | | |
| Starter motor | | | | | ● | | ● | | ● | | | | | | | | |
| Charge coil | | | | | ● | | ● | | ● | | | | | | | | ● |
| Lamp coil | | | | | | | | ● | | | | | | | | | |
| Air cleaner | Dual | ● | ● | | | | | | | | ● | ● | ● | | | ● | ● |
| | Semi dri | | | ● | ● | ● | ● | ● | ● | | | | | | ● | | |
| | Cyclone | | | | | | | | | | | | | | | | |
| | Oil bath | | ● | | | | | | | | ● | | | ● | | | |
| | Standard | | | | | | | | | | | | | | | | |



| Specifications | | Model | GX200 | | | | | | | | | | | | | | |
|----------------|----------------|-------|------------------------|------|------|-----|-----|------|----|-----|------|-----|----|------|------|------|------|
| | | | Standard equipment (1) | | | | | | | | | | | | | | |
| | | Type | QHP1 | QHQ4 | QH26 | QH4 | QJF | QJF1 | QM | QTP | QTP2 | QVL | QX | QXB2 | QXC9 | QXE2 | QXE4 |
| Crankshaft | 20mmØSpline | | | | | | | | | | | | | | | | |
| | 21mmØSpline | | | | | | | | | | | | | | | | |
| | 19mmØStraight | ● | ● | ● | ● | ● | ● | ● | ● | ● | ● | ● | ● | ● | ● | ● | ● |
| | 20mmØStraight | | | | | | | | | | | | | | | | |
| | 3/4"Thread | | | | | | | | | | | | | | | | |
| | 5/8"Thread | | | | | | | | | | | | | | | | |
| | 3/16"ØTapered | | | | | | | | | | | | | | | | |
| | 1/5"ØTapered | | | | | | | | | | | | | | | | |
| | Without P.T.O. | | | | | | | | | | | | | | | | |
| Camshaft | Without P.T.O. | ● | ● | ● | ● | ● | ● | ● | ● | ● | ● | ● | ● | ● | ● | ● | ● |
| | With P.T.O. | | | | | | | | | | | | | | | | |
| Starter motor | | | | | ● | | | | | ● | | | | | ● | ● | ● |
| Charge coil | | | | | ● | | | | | ● | | | | | ● | ● | ● |
| Lamp coil | | | | | | | | | ● | | | | | | | | |
| Air cleaner | Dual | ● | ● | ● | | | | | ● | | | ● | ● | | ● | ● | ● |
| | Semi dri | | | | | ● | ● | ● | | | | | | | | | |
| | Cyclone | | | | ● | | | | | ● | | | | ● | | | |
| | Oil bath | | | | | | | | | | ● | | | | | | |
| | Standard | | | | | | | | | | | | | | | | |

| Specifications | | GX200 | | | | | | | | | | | | | | |
|----------------|----------------|------------------------|------|------|------|-----|-----|------|-----|-----|----|------|------|-----|------|-----|
| | | Standard equipment (1) | | | | | | | | | | | | | | |
| | | QXE8 | QXF1 | QXH4 | QXS2 | QXU | QX2 | QX26 | QX4 | QX7 | RH | RHA2 | RHQ4 | RH2 | RH26 | RJE |
| Crankshaft | 20mmØSpline | | | | | | | | | | | | | | | |
| | 21mmØSpline | | | | | | | | | | | | | | | |
| | 19mmØStraight | ● | ● | ● | ● | ● | ● | ● | ● | | | | | | | |
| | 20mmØStraight | | | | | | | | | ● | ● | ● | ● | ● | ● | ● |
| | 3/4"Thread | | | | | | | | | | | | | | | |
| | 5/8"Thread | | | | | | | | | | | | | | | |
| | 3/16"ØTapered | | | | | | | | | | | | | | | |
| | 1/5"ØTapered | | | | | | | | | | | | | | | |
| | Without P.T.O. | | | | | | | | | | | | | | | |
| Camshaft | Without P.T.O. | ● | ● | ● | ● | ● | ● | ● | ● | ● | ● | ● | ● | ● | ● | ● |
| | With P.T.O. | | | | | | | | | | | | | | | |
| Starter motor | | ● | | ● | | | | | | | | | | | | ● |
| Charge coil | | ● | | ● | | | | | | | | | | | | ● |
| Lamp coil | | | | | ● | | | | | | ● | | | | | ● |
| Air cleaner | Dual | ● | | | ● | ● | ● | ● | ● | ● | ● | ● | ● | ● | ● | ● |
| | Semi dri | | ● | | | | | | | | | | | | | |
| | Cyclone | | | ● | | | | | | | | | | | | |
| | Oil bath | | | | | | | | | | | | | | | |
| | Standard | | | | | | | | | | | | | | | |

1

1

| Specifications | | Model Type | GX200 | | | | | | | | | | | | | | |
|----------------|----------------|---------------|------------------------|-----|-----|-----|----|------|----|------|----|-----|------|------|------|------|------|
| | | | Standard equipment (1) | | | | | | | | | | | | | | |
| | | | RX | RXU | RX2 | RX4 | SD | SDB2 | SH | SHQ4 | SJ | SJG | SMC4 | SMG1 | SMG2 | SM11 | SM12 |
| Crankshaft | 20mmØSpline | | | | | | | | | | | | | | | | |
| | 21mmØSpline | | | | | | | | | | | | | | | | |
| | 19mmØStraight | | | | | | | | | | | | | | | | |
| | 20mmØStraight | ● | ● | ● | ● | ● | ● | ● | ● | ● | ● | ● | ● | ● | ● | ● | ● |
| | 3/4"Thread | | | | | | | | | | | | | | | | |
| | 5/8"Thread | | | | | | | | | | | | | | | | |
| | 3/16"ØTapered | | | | | | | | | | | | | | | | |
| | 1/5"ØTapered | | | | | | | | | | | | | | | | |
| | Without P.T.O. | | | | | | | | | | | | | | | | |
| Camshaft | Without P.T.O. | ● | ● | ● | ● | ● | ● | ● | ● | ● | ● | ● | ● | ● | ● | ● | ● |
| | With P.T.O. | | | | | | | | | | | | | | | | |
| Starter motor | | | | | | | | | | | | | ● | ● | | | |
| Charge coil | | | | | | | | | | | | | ● | ● | | | |
| Lamp coil | | | | | | | | | | | | ● | | | | | |
| Air cleaner | Dual | ● | ● | ● | ● | | | ● | ● | | | ● | ● | | ● | ● | ● |
| | Semi dri | | | | | ● | ● | | | ● | ● | | | ● | | | |
| | Cyclone | | | | | | | | | | | | | | | | |
| | Oil bath | | | | | | | | | | | | | | | | |
| | Standard | | | | | | | | | | | | | | | | |

| Specifications | | GX200 | | | | | | | | | | | | | | | | | |
|----------------|----------------|------------------------|------|------|------|------|------|----|------|-----|-----|-----|----|-----|------|-----|------|-----|------|
| | | Standard equipment (1) | | | | | | | | | | | | | | | | | |
| | | Model | Type | SM21 | SM22 | SM24 | SWG4 | SX | SXE4 | SXU | SX4 | SX7 | TX | TXU | TXU1 | TX2 | VEE1 | VEN | VEN1 |
| Crankshaft | 20mmØSpline | | | | | | | | | | | | | | | | | | |
| | 21mmØSpline | | | | | | | | | | | | | | | | | | |
| | 19mmØStraight | | | | | | | | | | | | | | | | | | |
| | 20mmØStraight | ● | ● | ● | ● | ● | ● | ● | ● | ● | | | | | | | | | |
| | 3/4"Thread | | | | | | | | | | | | | | | | | | |
| | 5/8"Thread | | | | | | | | | | | ● | ● | ● | ● | | | | |
| | 3/16"ØTapered | | | | | | | | | | | | | | | | | | |
| | 1/5"ØTapered | | | | | | | | | | | | | | | ● | ● | ● | |
| | Without P.T.O. | | | | | | | | | | | | | | | | | | |
| Camshaft | Without P.T.O. | ● | ● | ● | ● | ● | ● | ● | ● | ● | ● | ● | ● | ● | ● | ● | ● | ● | ● |
| | With P.T.O. | | | | | | | | | | | | | | | | | | |
| Starter motor | | | | | ● | | | ● | | | | | ● | | | | | | |
| Charge coil | | | | | | | | ● | | | | | ● | | | | | ● | |
| Lamp coil | | | | | | | | | | | | | | | | | | | |
| Air cleaner | Dual | ● | ● | ● | ● | ● | ● | ● | ● | ● | ● | ● | ● | ● | ● | ● | ● | ● | ● |
| | Semi dri | | | | | | | | | | | | | | | | | | |
| | Cyclone | | | | | | | | | | | | | | | | | | |
| | Oil bath | | | | | | | | | | | | | | | | | | |
| | Standard | | | | | | | | | | | | | | | | | ● | |

| Specifications | | Model | GX200 | | | | | | | | | | | | | | |
|----------------|----------------|-------|-------|------------------------|-----|------|------|------|-----|------|-----|------|------|------|-----|------|------|
| | | | Type | Standard equipment (1) | | | | | | | | | | | | | |
| | | VEN2 | | VEN4 | VES | VES1 | VGG2 | VMG1 | VMT | VPM4 | VSD | VSD1 | VSD2 | VSD7 | VSW | VSW1 | VS17 |
| Crankshaft | 20mmØSpline | | | | | | | | | | | | | | | | |
| | 21mmØSpline | | | | | | | | | | | | | | | | |
| | 19mmØStraight | | | | | | | | | | | | | | | | |
| | 20mmØStraight | | | | | | | | | | | | | | | | |
| | 3/4"Thread | | | | | | | | | | | | | | | | |
| | 5/8"Thread | | | | | | | | | | | | | | | | |
| | 3/16"ØTapered | | | | | ● | | | ● | ● | ● | ● | ● | ● | ● | ● | ● |
| | 1/5"ØTapered | ● | ● | ● | ● | | ● | ● | | | | | | | | | |
| | Without P.T.O. | | | | | | | | | | | | | | | | |
| Camshaft | Without P.T.O. | ● | ● | ● | ● | ● | ● | ● | ● | ● | ● | ● | ● | ● | ● | ● | ● |
| | With P.T.O. | | | | | | | | | | | | | | | | |
| Starter motor | | | | | | | | | | | | | | | | | |
| Charge coil | | ● | ● | | | | | | | | | | | | | | |
| Lamp coil | | | | ● | ● | | | | | | | | | | | | |
| Air cleaner | Dual | | | | ● | ● | ● | | | ● | | | ● | | | | ● |
| | Semi dri | | | | | | | | | | | | | | | | |
| | Cyclone | | | | | | | | | | | | | | | | |
| | Oil bath | | | | | | | | | | | | | | | | |
| | Standard | ● | ● | ● | | | | | ● | ● | | ● | ● | | ● | ● | ● |

| Specifications | | Model | GX200 | | | | | | | | | | | | |
|----------------|----------------|-------|------------------------|-----|------|-----|-----|-------------|------------------|------|------|---------------|------|------|------|
| | | | Standard equipment (1) | | | | | Propane (2) | Indonesia-KD (3) | | | Brazil-KD (4) | | | |
| | | Type | VXK | VXU | VXU1 | VX2 | VX4 | VXP | LVSH | QVSH | SDNI | QDBR | QXBR | TXBR | VXBR |
| Crankshaft | 20mmØSpline | | | | | | | ● | | | | | | | |
| | 21mmØSpline | | | | | | | | | | | | | | |
| | 19mmØStraight | | | | | | | | ● | | ● | ● | | | |
| | 20mmØStraight | | | | | | | | | ● | | | | | |
| | 3/4"Thread | | | | | | | | | | | | | | |
| | 5/8"Thread | | | | | | | | | | | | ● | | |
| | 3/16"ØTapered | ● | ● | ● | ● | ● | ● | | | | | | | ● | |
| | 1/5"ØTapered | | | | | | | | | | | | | | |
| | Without P.T.O. | | | | | | | | | | | | | | |
| Camshaft | Without P.T.O. | ● | ● | ● | ● | ● | ● | ● | ● | ● | ● | ● | ● | ● | |
| | With P.T.O. | | | | | | | | | | | | | | |
| Starter motor | | | | | | | | | | | | | | | |
| Charge coil | | | | | | | | | | | | | | | |
| Lamp coil | | | | | | | | | | | | | | | |
| Air cleaner | Dual | ● | ● | ● | ● | ● | ● | | | | | ● | ● | ● | |
| | Semi dri | | | | | | | ● | ● | ● | ● | | | | |
| | Cyclone | | | | | | | | | | | | | | |
| | Oil bath | | | | | | | | | | | | | | |
| | Standard | | | | | | | | | | | | | | |

Fuel hose, general purpose hoses and vinyl hose

- The standard part fuel hose, general purpose hose and vinyl hose may be substituted by the coiled bulk part.
- When ordering the standard part fuel hose, general purpose hose and vinyl hose use the bulk part number written in the parts catalog in brackets () underneath the part name.
- When exchanging the hose, cut and use at the specified length as mentioned in the part name.
(For the method of cutting the bulk part, and method of filling out orders etc., please refer to the instructions issued with the bulk part.)

Bulk part number of fuel hose, general purpose hose and vinyl hose.

Example: 9 5 0 0 1 - 7 5 0 0 1 - 5 0 M

Bulk part number:
Refers to the bulk part.

Marking code (fuel hose and general purpose hose)

Change code (Vinyl hose)

Indicates number mark or change sequence, however, the code for the bulk part must be strictly 0 (zero).

Types of code:

- | | | | | | |
|-------------|--|----------------|--|--------------|---|
| • Fuel hose | 2: Red outside braid (3 mm inside dia. only) | • General hose | 1: Ash gray 2: Ash gray 3: Black 5: Black | • Vinyl hose | 1: Clear 2: Black 3: Light red 6: Light red 7: Pale black |
| | 5: Black inside braid | | | | |
| | 3: Red (3 mm inside dia. only) | | | | |
| | 4: Ash gray with red stripe (3 mm inside dia. only) | | | | |
| | 6: Black | | | | |

Lengths:

- 001: 1 m (standard)
003: 3 m
008: 8 m } Application or specification of some parts is not settled.

I.D code: (fuel hose and general purpose hose)

- | | | | | |
|------------|--------------------|--------------------|-----------------------------|-----------------------------|
| 30: 3.0 mm | 50: 5.0 mm | 70: 7.0 mm | 11: 11 mm | 12: 12 (outside dia. 17) mm |
| 35: 3.5 mm | 55: 5.3 mm, 5.5 mm | 75: 7.3 mm, 7.5 mm | 91: 12 (outside dia. 15) mm | 14: 14 mm |
| 45: 4.5 mm | 65: 6.5 mm | 80: 8.0 mm | 92: 12 (outside dia. 16) mm | 17: 17 mm |

ID./OD. code: (vinyl hose)

- | | | | | |
|-------------------------|--------------------------|---------------------------|---------------------------|---------------------------|
| 01: ID. 2.9, OD. 6.8 mm | 12: ID. 5.0, OD. 7.0 mm | 21: ID. 8.0, OD. 9.0 mm | 37: ID. 11.0, OD. 15.0 mm | 50: ID. 16.0, OD. 19.0 mm |
| 03: ID. 3.0, OD. 6.0 mm | 10: ID. 5.0, OD. 8.0 mm | 23: ID. 8.0, OD. 12.0 mm | 38: ID. 12.0, OD. 13.0 mm | 55: ID. 17.5, OD. 20.5 mm |
| 05: ID. 3.5, OD. 6.5 mm | 11: ID. 5.0, OD. 9.0 mm | 25: ID. 9.0, OD. 11.0 mm | 39: ID. 12.0, OD. 14.0 mm | 60: ID. 22.0, OD. 27.0 mm |
| 07: ID. 4.0, OD. 7.0 mm | 14: ID. 6.0, OD. 9.0 mm | 27: ID. 9.0, OD. 13.0 mm | 40: ID. 12.0, OD. 16.0 mm | |
| 08: ID. 4.5, OD. 6.5 mm | 17: ID. 7.0, OD. 9.0 mm | 33: ID. 10.0, OD. 14.0 mm | 43: ID. 13.0, OD. 15.0 mm | |
| 09: ID. 4.5, OD. 8.0 mm | 19: ID. 7.0, OD. 11.0 mm | 36: ID. 11.0, OD. 13.0 mm | 45: ID. 14.0, OD. 18.0 mm | |

Hose type:

- 1: Fuel hose
3: Vinyl hose
5: General hose

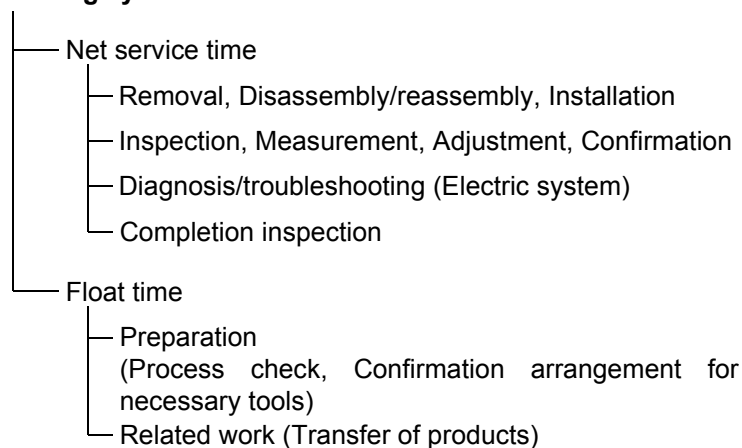
⊙ **CAUTION: It is DANGEROUS to confuse the fuel hose with the general purpose hose or vinyl hose.**

Never use a general purpose hose or vinyl hose in place of a fuel hose or vice versa. Always use the correct bulk part in the parts catalogue, according to the service manual or the instructions issued with the bulk part.

FLAT RATE SERVICE TIME

Flat rate service time (FRT) means the standard time required to service a product, which is listed in this manual to help the dealers control the actual working process and calculate the service charge by using it as a guide.

FRT setting system



* Float time is set by multiplying the net service time by a given coefficient.

Editorial style

The service items shown in the text are listed with the exchange work time for the repair sales parts as the subject. Other representative service items not using repair parts (removal/installation, adjustment, inspection/measuring, and other work) are listed collectively in the list in the preface, classified according to the work.

FRT setting standard

- Decimal system (in unit of 0.1) is adopted to set FRT as it is convenient to calculate the wage.
Example: (0.1) → 6 minutes, (0.2) → 12 minutes
[Labor cost per hour] x [FRT] = [Wage]
- FRT is set with a hand tool.
- Service items and FRT can be subject to change depending on development of tools and service equipment and improvement in service procedure.

Work procedure

- As the work procedure is set with the work time according to the method in the separate Service Manual, refer to this Manual as required.
- Work methods permitting servicing in the shortest time still permitting assurance of safe work and product warranty are used for the setting of service items not listed in the Service Manual.
- Work basically is to be performed by one person, and when two or more people are required, setting is done as the total time for the number of people.
- The set value for the technological level of the workers uses a person with three years of experience in the repair of Honda products as the standard.
- Special tools and service equipment used to set FRT are those specified or recommended in Service Manual.

Service item whose FRT is not presented

- Accessories and service parts that are not listed to use in this manual.
 - Locations with little aging deterioration or breakage during normal use.
 - Service work that can be finished by one touch.
 - Service work that is seldom done (i.e. extremely small causes of trouble and service frequency).
 - Products and parts whose location for installation differs according to its status of use and application.
- * When FRT is not presented, please calculate wages based on appropriate actual work time.

Operation not included of FRT

- Oil and coolant water draining, Waiting time for warming up operation and etc..
- Additional operation that involves removal/installation of standard exterior equipment.
- Indirect time spent for service by visiting the customer, trade-in, and delivery.
- Indirect time required for ordering and delivery of parts.
- Cost for grease, adhesive agent, etc. used for service work.

**Explanation of FRT by using an example
(The example may differ from the actual presented items)**

| Ref. No. | L.O.N. | (Relative ref. Number) Description | F.R.T. |
|----------|---------|--|--------|
| ① | 1111L1 | (1, 3, 4, 7) VALVE, INTAKE 4.1 | ② |
| ② | | • NOTE: OHV type | ③ |
| ③ | 1111L1A | • Includes: Engine removal and installation One head (intake all) add 1.4 | ④ |

- ① Reference No. of the illustration of part that shows location of the replacement work.
- ② FRT is an abbreviation of Flat Rate Time indicating the standard service time required for the replacement.
- ③ LON is an abbreviation of Labor Operation Number, and it is a classification of the service items by the work unit code.

The same operation code is used regardless of the models.

Standard operation is indicated with 6 digits code, and additional operation is indicated with 7 digits code.

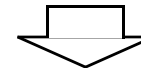
- ④ Indicating the intake valve replacement and FRT4.1.
- ⑤ Indicating FRT1.4 that will be added when additional operation (whole intake side of one cylinder head) is done in association with intake valve replacement.

- ⑥ Indicating work condition or application condition of the service item.
- ⑦ Indicating work contents that are included in the service item.
- ⑧ Indicating a reference No. whose operation and time are the same as FRT4.1 for the intake valve.

(The application range is limited to the service items without an LON setting within a same block.)

**How to refer to the service item by using the sample
(intake valve replacement)**

Open to the page of the block where the intake valve's spare part illustration is shown.



Look for the intake valve illustration, and refer to the service item and FRT that agree with the reference No.

Indication mark for the listing of service items that continues to the following page

| Ref. No. | L.O.N. | (Relative ref. Number) Description | F.R.T. |
|----------|--------|---------------------------------------|--------|
| 2 | 1111L1 | VALVE, INTAKE | 4.1 |
| | . | . | . |
| | . | . | . |

—+
Mark indicated at the last line.

Indication of the block with no setting of FRT

| Ref. No. | L.O.N. | (Relative ref. Number) Description | F.R.T. |
|-----------------------------|--------|---------------------------------------|--------|
| NO INFORMATION | | | |

• **LON code system**

| | | | | |
|---|----|---|----|---|
| 1 | 11 | 1 | L1 | A |
| a | b | c | d | e |

- a) Category code..... Engine
- b) Location/function code..... Engine upper
- c) Operation code..... Replace
- d) Operation sequence number (Unit code can be shown with alphabet)
..... Intake valve
(No regular rule of code)
- e) Additional code One head (intake all)
(No regular rule of code)

| | | | | |
|---|----|---|----|---|
| 1 | 11 | 1 | L1 | A |
| a | | c | | |

a) **Category codes and classification**

| Code | Category |
|------|----------------|
| 1 | Engine |
| 2 | Power drive |
| 3 | Fuel & Exhaust |
| 4 | Frame & Body |
| 5 | Steering |
| 6 | Electrical |
| 7 | Axle & Brake |
| 8 | Control system |
| 9 | - |
| 0 | Attachments |

c) **Operation codes and classification**

| Code | Operation category |
|------|---------------------------------------|
| 1 | Replace, Removal/Installation, Change |
| 2 | Overhaul |
| 3 | Adjust, Rotation |
| 4 | (Paint-related work: Top-coat) |
| 5 | Test, Inspect/diagnose, Measurement |
| 6 | (Overhaul-related work: Rebore) |
| 7 | (Overhaul-related work: Reseal) |
| 8 | (Resurface) |
| 9 | (Paint-related work: Refinish) |
| 0 | Repair, Cleaning, Air bleeding |

Major service items without using spare parts

(1) Removal/Installation, (2) Adjustment, (3) Inspection/Measurement, (4) Overhaul, (5) Other work

E: Engine, T: Transmission, D: Drive system, B: Body and related parts

(1) Removal/Installation

Set with the parts configuration in the status of being removed from the product.

| | LON | DESCRIPTION | FRT |
|---|--------|---|-----|
| E | 1111L3 | CYLINDER HEAD ASSEMBLY-REMOVAL/INSTALLATION | 0.5 |

(2) Adjustment

| | LON | DESCRIPTION | FRT |
|---|--------|---|-----|
| E | 1113A1 | VALVE CLEARANCE-ADJUSTMENT NOTE: For 1 product | 0.3 |
| | 1163A0 | CONTROL, THROTTLE/GOVERNOR-ADJUSTMENT | 0.2 |
| | 3113A2 | CARBURETOR IDLE-ADJUSTMENT | 0.2 |

(3) Inspection, Measurement, Cleaning

| | LON | DESCRIPTION | FRT |
|---|--------|--|-----|
| E | 1105A0 | ENGINE OIL-INSPECTION | 0.1 |
| | 3120A0 | AIR CLEANER-CLEANING INCLUDES: Air cleaner-inspection | 0.1 |
| | 3130A0 | SPARK ARRESTER-CLEANING | 0.2 |
| | 6140A0 | SPARK PLUG-ADJUSTMENT/CLEANING NOTE: For 1 product | 0.1 |

(4) Overhaul

Work condition: The required Measurements, inspections, adjustments, and cleaning/washing of each part are performed, including the main body removal/installation work and the replacement of defective parts.

| | LON | DESCRIPTION | FRT |
|---|--------|---|-----|
| E | 3112A0 | CARBURETOR-OVERHAUL INCLUDES: All necessary adjustment | 0.6 |

(5) Other work

| | LON | DESCRIPTION | FRT |
|---|--------|--|-----|
| E | 1101E1 | ENGINE OIL-CHANGE INCLUDES: Engine oil-inspection | 0.2 |

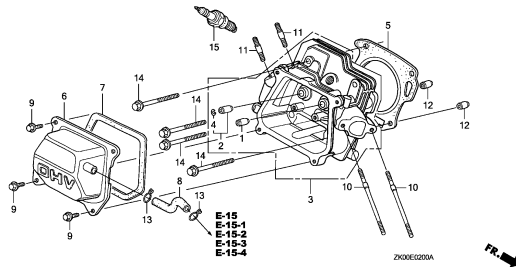
ENGINE GROUP

C 8

E-2

CYLINDER HEAD

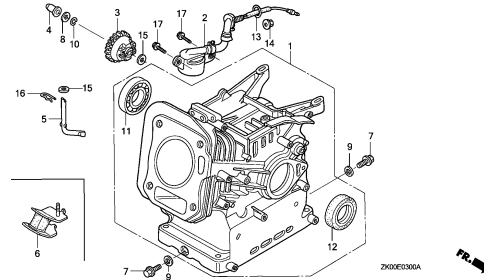
D 1



E-3

CYLINDER BARREL

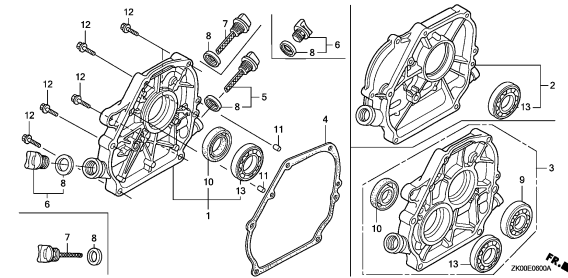
D 4



E-6

CRANKCASE COVER(1)

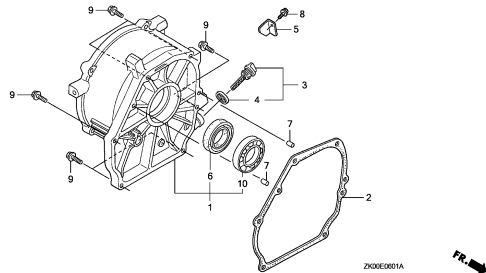
D 6



E-6-1

CRANKCASE COVER(2)

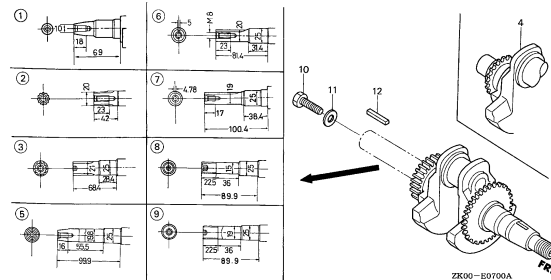
D 9



E-7

CRANKSHAFT

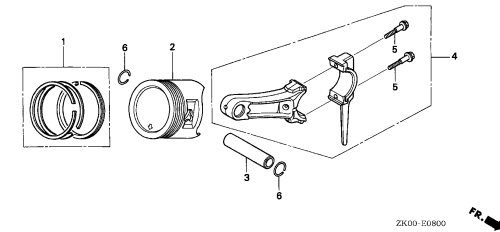
D10



E-8

PISTON

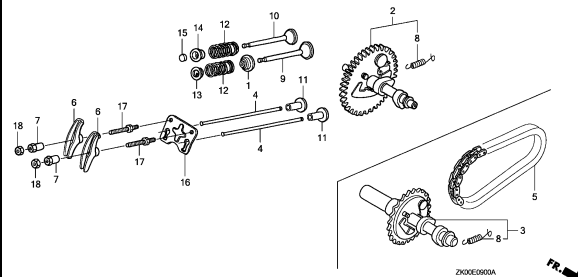
D12



E-9

CAMSHAFT

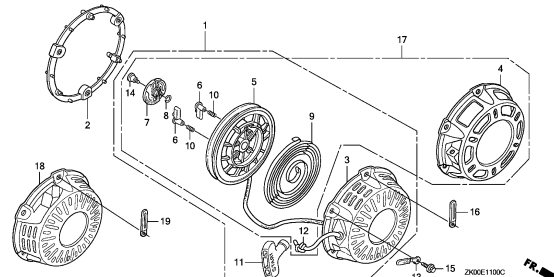
E 1



E-11

RECOIL STARTER(1)

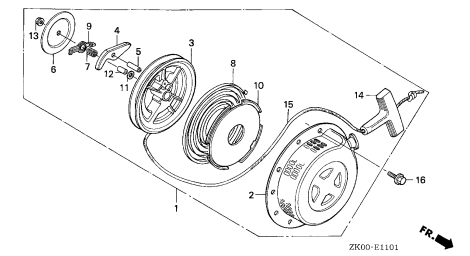
E 4



E-11-1

RECOIL STARTER(2)

E 9



2

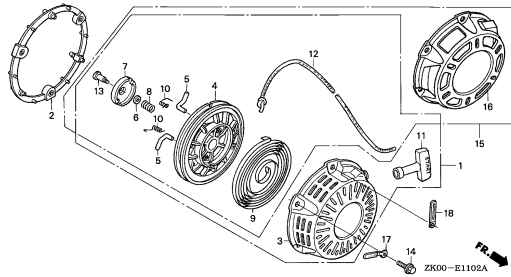
ENGINE GROUP

C 9

E-11-2

RECOIL STARTER(3)

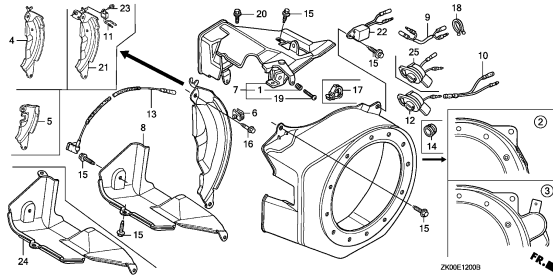
E10



E-12

FAN COVER

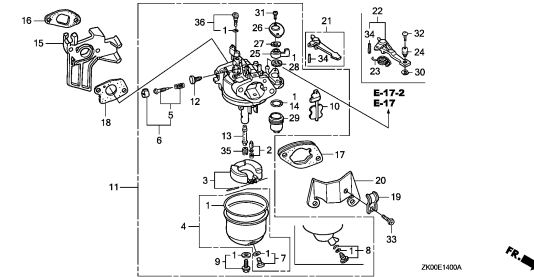
E16



E-14

CARBURETOR(1)

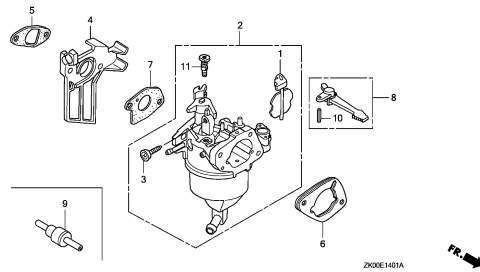
F 4



E-14-1

CARBURETOR(2)

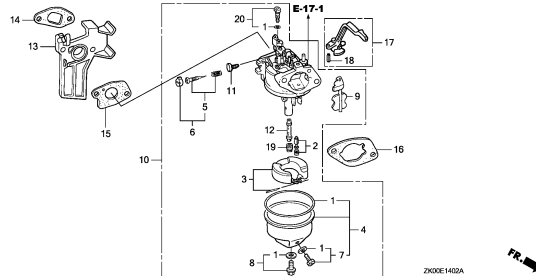
F12



E-14-2

CARBURETOR(3)

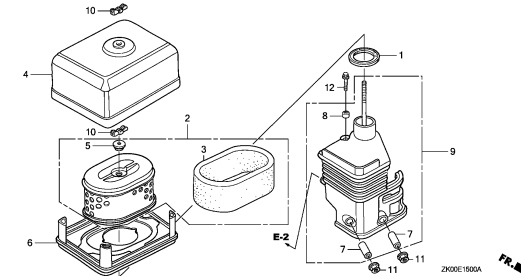
F13



E-15

AIR CLEANER(DUAL)

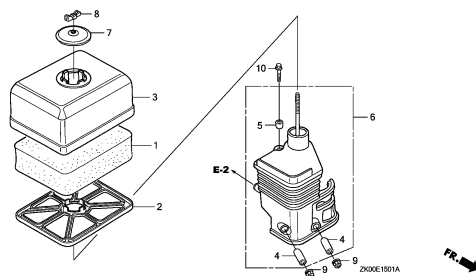
F15



E-15-1

AIR CLEANER(SEMI DRY)

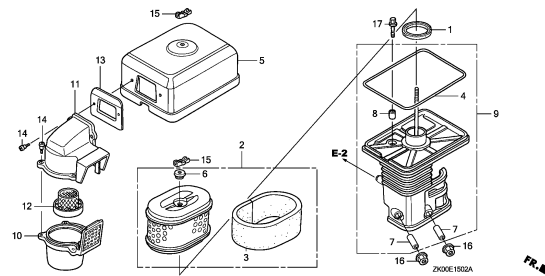
G 2



E-15-2

AIR CLEANER(CYCLONE)

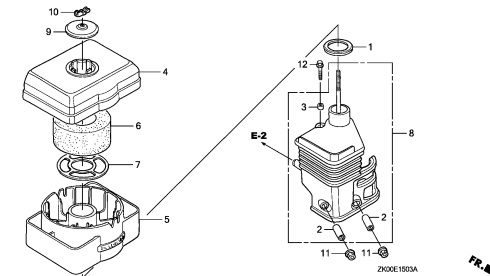
G 4



E-15-3

AIR CLEANER(OIL BATH)

G 5



2

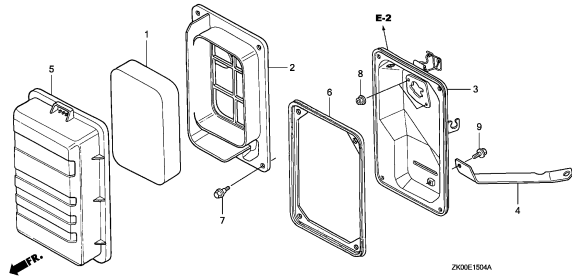
ENGINE GROUP

C10

E-15-4

AIR CLEANER(STANDARD)

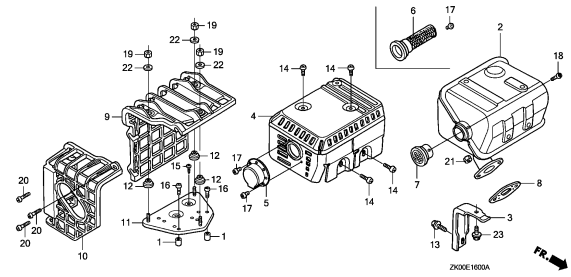
G 6



E-16

MUFFLER(1)

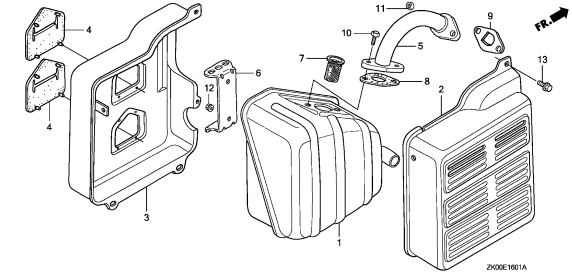
G 7



E-16-1

MUFFLER(2)

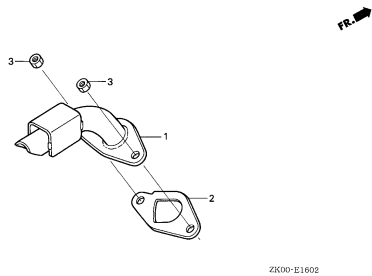
G11



E-16-2

MUFFLER(3)

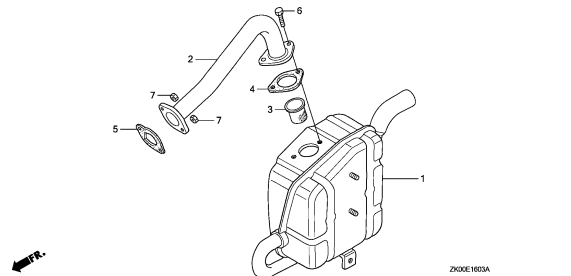
G12



E-16-3

MUFFLER(4)

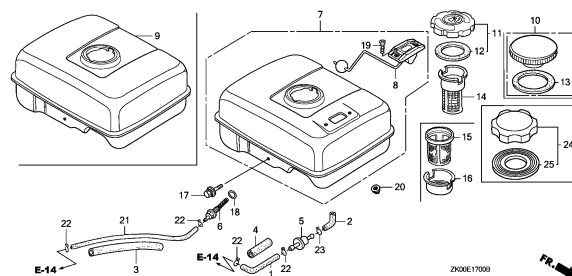
G13



E-17

FUEL TANK(1)

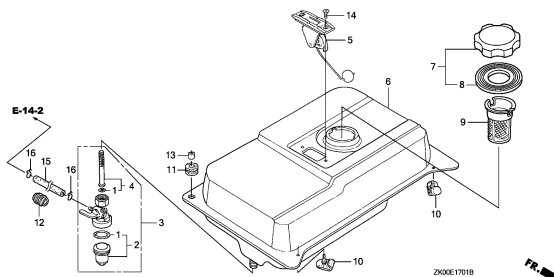
G14



E-17-1

FUEL TANK(2)

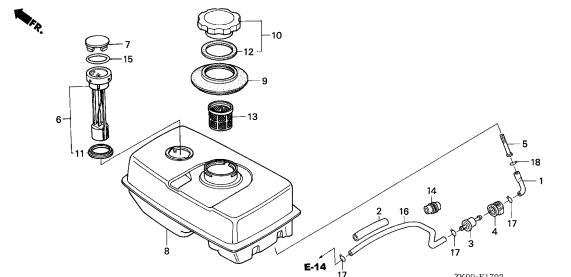
H 2



E-17-2

FUEL TANK(3)

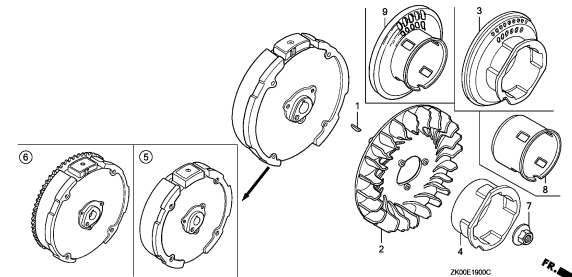
H 3



E-19

FLYWHEEL

H 4



2

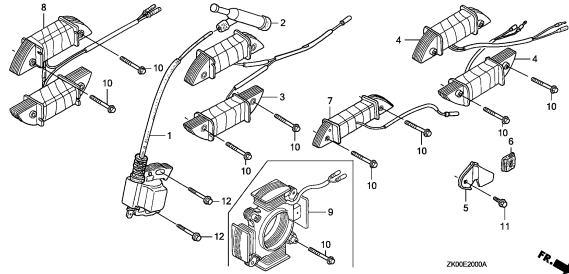
ENGINE GROUP

C11

E-20

IGNITION COIL

H 6



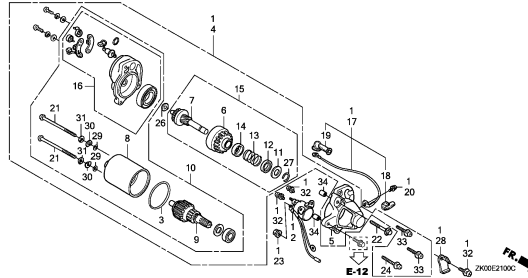
ZK0E200A



E-21

STARTER MOTOR

H 8



E-12

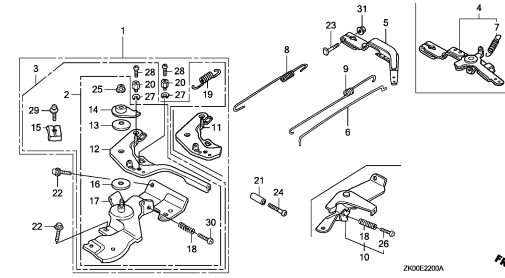
ZK0E210C



E-22

CONTROL(1)

H10



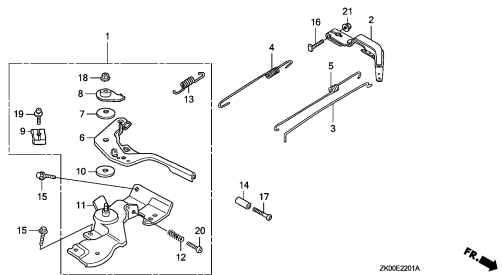
ZK0E220A



E-22-1

CONTROL(2)

H14



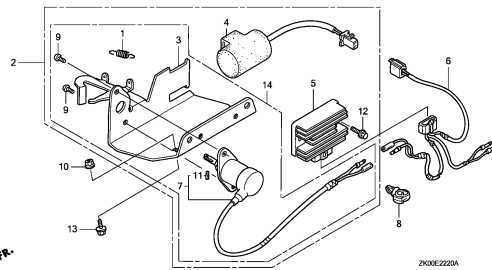
ZK0E221A



E-22-20

AUTO THROTTLE

I 2



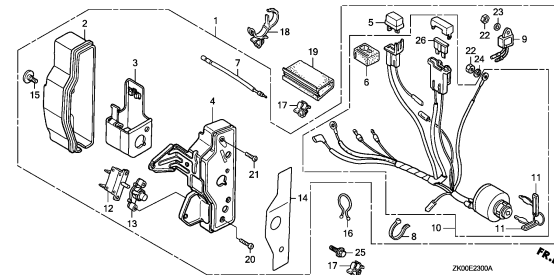
ZK0E222A



E-23

CONTROL BOX

I 3



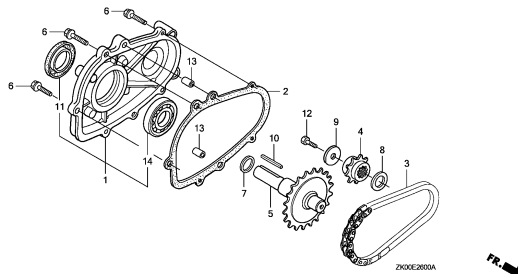
ZK0E230A



E-26

REDUCTION(1)

I 5



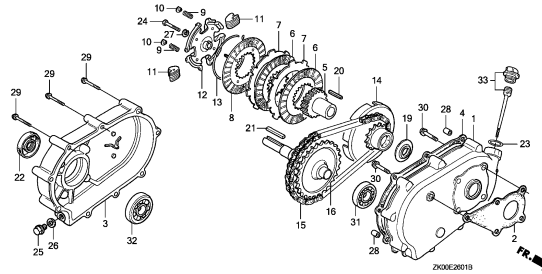
ZK0E260A



E-26-1

REDUCTION(2)

I 6



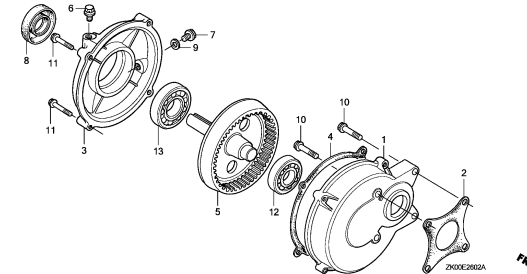
ZK0E261B



E-26-2

REDUCTION(3)

I 8



ZK0E262A



2

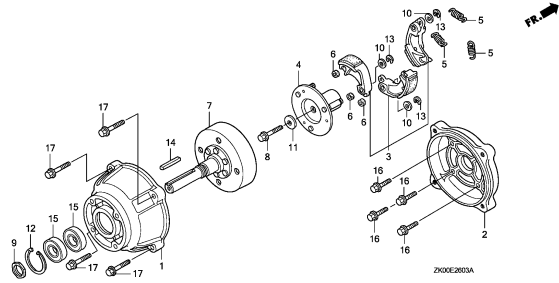
ENGINE GROUP

C12

E-26-3

REDUCTION(4)

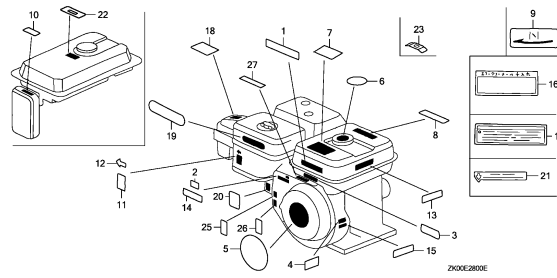
I 9



E-28

LABEL

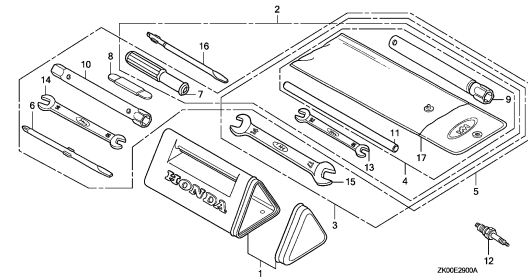
I10



E-29

TOOL

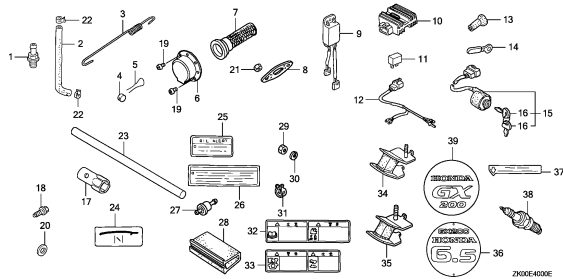
I13



E-40

OTHER PARTS(COMBINATION SWITCH)

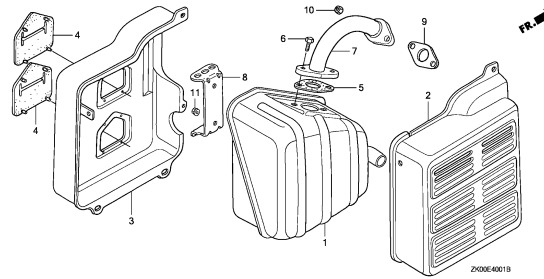
I15



E-40-1

OTHER PARTS(MUFFLER)

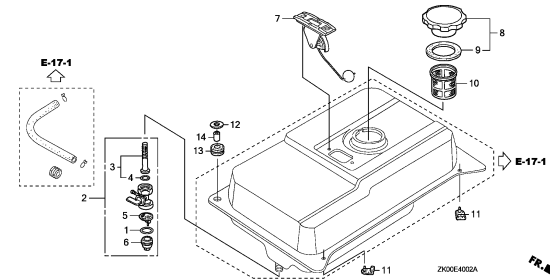
J 1



E-40-2

OTHER PARTS(FUEL COCK)

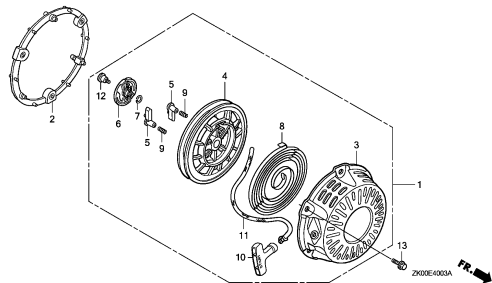
J 2



E-40-3

OTHER PARTS(RECOIL STARTER)

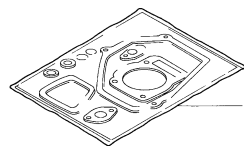
J 3



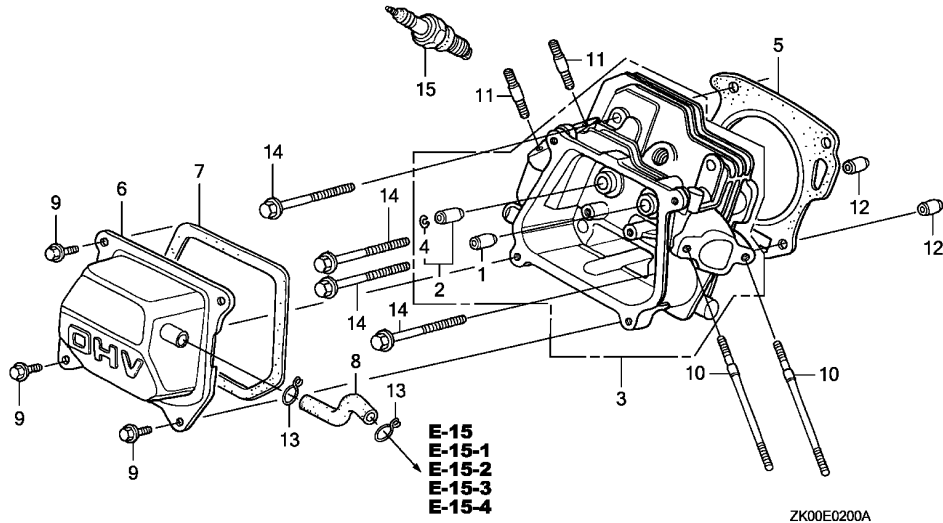
EOP-1

GASKET KIT

J 4



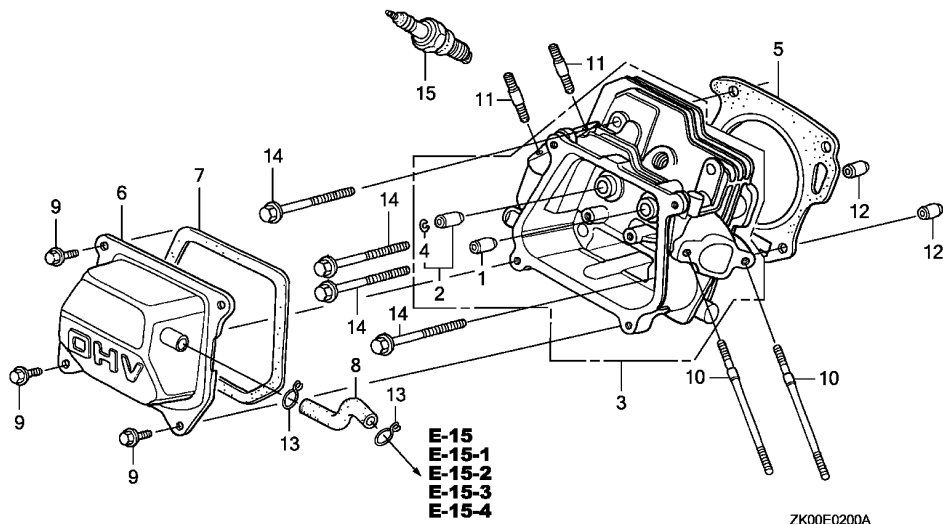
HENG-K0003



| Ref. No. | L.O.N. | (Relative ref. Number) Description | F.R.T. |
|----------|---------|--|--------|
| 1 | 1111E9 | GUIDE, INTAKE VALVEINCLUDES: Valve clearance adjustment | 0.8 |
| | 1111E9E | .Replace intake and exhaust all add | 0.4 |
| 2 | 1111E8 | GUIDE, EXHAUST VALVEINCLUDES: Valve clearance adjustment | 0.8 |
| | 1111E8E | .Replace intake and exhaust all add | 0.4 |
| 3 | 1111N3 | HEAD, CYLINDERINCLUDES: Valve clearance adjustment and reface | 0.9 |
| 5 | 1111N4 | GASKET, CYLINDER HEAD | 0.5 |
| 6 | 1111D5 | COVER, CYLINDER HEAD AND/OR PACKING, HEAD COVER | 0.1 |
| 8 | 1111K5 | TUBE, BREATHER | 0.1 |
| 15 | 6141C1 | PLUG, SPARKINCLUDES: Spark plug check | 0.1 |

| Ref. No. | Part No. | Description | Reqd. QTY | | | | Serial No. | Parts catalogue code |
|----------|---------------|------------------------------------|-----------|-----|-----|-----|--|-----------------------|
| | | | GX200 | (1) | (2) | (3) | | |
| 1 | 12204-ZE1-306 | GUIDE, IN. VALVE (O.S.) | (1) | (1) | (1) | (1) | | |
| 2 | 12205-ZE1-315 | GUIDE, EX. VALVE (O.S.) | (1) | (1) | (1) | (1) | | |
| 3 | 12210-ZLO-405 | HEAD COMP., CYLINDER | 1 | - | - | - | BL, HX, HXU, HX2, HX26, LAC, LH, LHB2, LHP1, LHQ4, LJ, LJC1, LJG, LVL, LX2, LX4, NDJ, NJ, NJC1, NJG, NMB, NTB, NTU, NW, NX, PX, PXU, QAB2, QD, QG2, QH, QHP1, QHQ4, QH26, QH4, QJF, QJF1, QM, QTP, QTP2, QVL, QX, QXB2, QXC9, QXE2, QXE4, QXE6, QXE8, QXF1, QXH4, QXS2, QXU, QX2, QX26, QX4, QX7, RH, RHA2, RHQ4, RH2, RH26, RJE, RMG2, RX, RXU, RX2, RX4, SD, SDB2, SH, SHQ4, SJ, SJG, SMC4, SMG1, SMG2, SM11, SM12, SM14, SM21, SM22, SM24, SWG4, SX, SXE4, SXU, SX4, SX7, TX, TXU, TXU1, TX2, VEE1, VEN, VEN1, VEN2, VEN4, VES, VES1, VGG2, VMG1, VMT, VPM4, VSD, VSD1, VSD2, VSD7, VSW, VS17, VX, VXU, VXU1, VX2, VX4 | |
| | 12210-ZLO-415 | | - | 1 | 1 | 1 | | LSK, VSW1, VXK |
| 4 | 12216-ZE5-300 | CLIP, VALVE GUIDE | 1 | 1 | 1 | 1 | | |
| 5 | 12251-ZLO-003 | GASKET, CYLINDER HEAD | 1 | 1 | 1 | 1 | | |
| 6 | 12310-ZE1-010 | COVER COMP., HEAD | - | - | 1 | - | | QDBR, QXBR |
| | 12310-ZE1-020 | | 1 | - | - | 1 | BL, HX, HXU, HX2, HX26, LAC, LH, LHB2, LHP1, LHQ4, LJ, LJC1, LJG, LSK, LVL, LX2, LX4, NDJ, NJ, NJC1, NJG, NMB, NTB, NTU, NW, NX, PX, PXU, QAB2, QD, QG2, QH, QHP1, QHQ4, QH26, QJF, QJF1, QM, QTP, QVL, QX, QXB2, QXE2, QXE4, QXE6, QXE8, QXF1, QXS2, QXU, QX2, QX26, QX4, QX7, RH, RHA2, RHQ4, RH2, RH26, RJE, RMG2, RX, RXU, RX2, RX4, SD, SDB2, SH, SHQ4, SJ, SJG, SMC4, SMG1, SMG2, SM11, SM12, SM14, SM21, SM22, SM24, SWG4, SX, SXE4, SXU, SX4, SX7, TX, TXBR, TXU, TXU1, TX2, VEE1, VEN, VEN1, VEN2, VEN4, VES, VES1, VGG2, VMG1, VMT, VPM4, VSD, VSD1, VSD2, VSD7, VSW, VSW1, VS17, VX, VXBR, VXK, VXU, VXU1, VX2, VX4 | |
| | 12310-ZE1-842 | COVER COMP., HEAD (BREATHING TUBE) | - | 1 | - | - | | QH4, QTP2, QXC9, QXH4 |
| 7 | 12391-ZE1-000 | PACKING, HEAD COVER | 1 | 1 | 1 | 1 | | |





E-15
E-15-1
E-15-2
E-15-3
E-15-4

ZK00E0200A

FR. →

| Ref. No. | Part No. | Description | Reqd. QTY | | | | Serial No. | Parts catalogue code |
|----------|--------------------------------|-------------------------------|-----------|-----|-----|-----|------------|---|
| | | | (1) | (2) | (3) | (4) | | |
| 8 | 15721-ZE1-840 15721-ZH8-000 | TUBE, BREATHER | 1 | - | - | - | ----- | QH4,QTP2,QXC9,QXH4 BL,HX,HXU,HX2,HX26,LAC,LH,LHB2,LHP1,LHQ4,LJ,LJC1,LJG,LSK,LVL LX2,LX4,NDJ,NJ,NJC1,NJG,NMB,NTB,NTU,NW,NX,PX,PXU,QAB2,QD,QG2 QH,QHP1,QHQ4,QH26,QJF,QJF1,QM,QTP,QVL,QX,QXB2,QXE2,QXE4,QXE6 QXE8,QXF1,QXS2,QXU,QX2,QX26,QX4,QX7,RH,RHA2,RHQ4,RH2,RH26,RJE RMG2,RX,RXU,RX2,RX4,SD,SDB2,SH,SHQ4,SJ,SJG,SMC4,SMG1,SMG2,SM11 SM12,SM14,SM21,SM22,SM24,SWG4,SX,SXE4,SXU,SX4,SX7,TX,TXU,TXU1 TX2,VEE1,VEN1,VES1,VGG2,VMG1,VSD,VSD7,VX,VXK,VXU,VXU1,VX2,VX4 |
| | 15721-883-030 | | - | 1 | 1 | 1 | ----- | VEN,VEN2,VEN4,VES,VMT,VPM4,VSD1,VSD2,VSW,VSW1,VS17 |
| 9 | 90013-883-000 | BOLT, FLANGE, 6X12(CT200) ... | 4 | 4 | 4 | 4 | ----- | VEN,VEN2,VEN4,VES,VMT,VPM4,VSD1,VSD2,VSW,VSW1,VS17 |
| 10 | 90043-ZB2-003 90043-ZE1-020 | BOLT, STUD, 6X94 | 2 | - | - | - | ----- | BL,HX,HXU,HX2,HX26,LAC,LH,LHB2,LHP1,LHQ4,LJ,LJC1,LJG,LSK,LVL LX2,LX4,NDJ,NJ,NJC1,NJG,NMB,NTB,NTU,NW,NX,PX,PXU,QAB2,QD,QG2 QH,QHP1,QHQ4,QH26,QH4,QJF,QJF1,QM,QTP,QTP2,QVL,QX,QXB2,QXC9 QXE2,QXE4,QXE6,QXE8,QXF1,QXH4,QXS2,QXU,QX2,QX26,QX4,QX7,RH RHA2,RHQ4,RH2,RH26,RJE,RMG2,RX,RXU,RX2,RX4,SD,SDB2,SH,SHQ4,SJ SJG,SMC4,SMG1,SMG2,SM11,SM12,SM14,SM21,SM22,SM24,SWG4,SX,SXE4 SXU,SX4,SX7,TX,TXU,TXU1,TX2,VEE1,VEN1,VES1,VGG2,VMG1,VSD,VSD7 VX,VXK,VXU,VXU1,VX2,VX4 |
| | | | - | 2 | 2 | 2 | ----- | QH4,QTP2,QXC9,QXH4 |
| 11 | 90047-ZE1-000 | BOLT, STUD, 8X32 | 2 | 2 | 2 | 2 | ----- | |
| 12 | 94301-10160 | DOWEL PIN, 10X16 | 2 | 2 | 2 | 2 | ----- | |
| 13 | 95002-80000 | CLIP, TUBE (C12) | 2 | - | - | - | ----- | QH4,QTP2,QXC9,QXH4 |

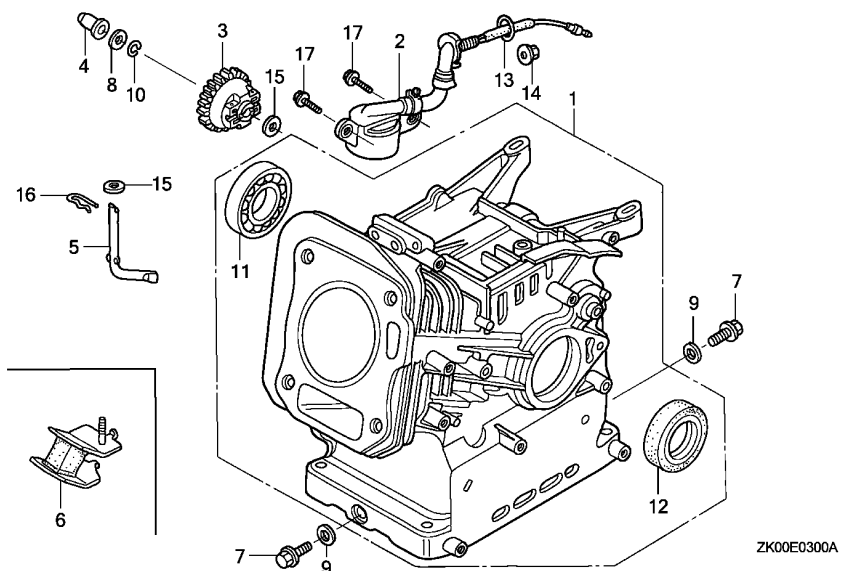
| Ref. No. | Part No. | Description | Reqd. QTY | | | | Serial No. | Parts catalogue code |
|----------|----------------|--------------------------------|-----------|-----|-----|-----|--|---|
| | | | (1) | (2) | (3) | (4) | | |
| 14 | 95723-08060-00 | BOLT, FLANGE, 8X60 | 4 | - | - | - | HXU, HX2, HX26, LHQ4, LX2, LX4, NDJ, NX, PX, PXU, QD, QG2, QHQ4, QH26, QH4, QM, QTP2, QXB2, QXC9, QXE2, QXE4, QXE6, QXE8, QXH4, QXS2, QXU, QX2, QX26, QX4, QX7, RHA2, RHQ4, RH2, RH26, RMG2, RXU, RX2, RX4, SDB2, SHQ4, SMC4, SM12, SM14, SM22, SM24, SWG4, SXE4, SXU, SX4, SX7, TXU, TXU1, TX2, VEN2, VEN4, VGG2, VPM4, VSD, VSD1, VSD2, VSD7, VS17, VXU1, VX2, VX4 | |
| | | | 4 | - | - | - | 2218104 | BL, HX, LAC, LH, LHB2, LHP1, LJ, LJC1, LJG, LSK, LVL, NJ, NJC1, NJG, NMB, NTB, NTU, NW, QAB2, QH, QHP1, QJF, QJF1, QTP, QVL, QX, QXF1, RH, RJE, RX, SD, SH, SJ, SJG, SMG1, SMG2, SM11, SM21, SX, TX, VEE1, VEN, VEN1, VES, VES1, VMG1, VMT, VSW, VSW1, VX, VXX, VXU |
| | 95701-08060-00 | | - | 4 | 4 | 4 | | |
| | | | 4 | - | - | - | 2218105 | BL, HX, LAC, LH, LHB2, LHP1, LJ, LJC1, LJG, LSK, LVL, NJ, NJC1, NJG, NMB, NTB, NTU, NW, QAB2, QH, QHP1, QJF, QJF1, QTP, QVL, QX, QXF1, RH, RJE, RX, SD, SH, SJ, SJG, SMG1, SMG2, SM11, SM21, SX, TX, VEE1, VEN, VEN1, VES, VES1, VMG1, VMT, VSW, VSW1, VX, VXX, VXU |
| 15 | 98079-55846 | PLUG, SPARK (BPR5ES) (NGK) | (1) | - | (1) | (1) | BL, HX, HXU, HX2, HX26, LAC, LH, LHB2, LHP1, LHQ4, LVL, LVSH, LX2, LX4, NX, QAB2, QG2, QH, QHP1, QHQ4, QH26, QTP, QVL, QVSH, QX, QXBR, QXB2, QXE8, QXU, QX2, QX26, QX4, QX7, RH, RHA2, RHQ4, RH2, RH26, RMG2, RX, RXU, RX2, RX4, SH, SHQ4, SM12, SM22, TX, TXBR, TXU, TXU1, TX2, VPM4, VSD, VSD1, VSD2, VSD7, VSW, VSW1, VS17, VX, VXX, VXU, VXU1, VX2, VX4 | |
| | 98079-55855 | PLUG, SPARK (W16EPR-U) (DENSO) | (1) | (1) | (1) | (1) | BL, HX, HXU, HX2, HX26, LAC, LH, LHB2, LHP1, LHQ4, LVL, LVSH, LX2, LX4, NX, QAB2, QG2, QH, QHP1, QHQ4, QH26, QTP, QVL, QVSH, QX, QXBR, QXB2, QXE8, QXU, QX2, QX26, QX4, QX7, RH, RHA2, RHQ4, RH2, RH26, RMG2, RX, RXU, RX2, RX4, SH, SHQ4, SM12, SM22, TX, TXBR, TXU, TXU1, TX2, VPM4, VSD, VSD1, VSD2, VSD7, VSW, VSW1, VS17, VX, VXX, VXU, VXU1, VX2, VX4 | |
| | 98079-56841 | PLUG, SPARK (BP6ES) (NGK) | 1 | - | 1 | - | BL, LAC, LHB2, LJ, LJC1, LJG, LSK, LVL, NJ, NJC1, NJG, NMB, NTB, NTU, NW, QAB2, QD, QJF, QJF1, QM, QVL, QXF1, SD, SDB2, SDNI, SJ, SJG, SMG1, VEN, VES | |
| | 98079-56854 | PLUG, SPARK (W20EP-U) (DENSO) | 1 | - | - | - | BL, LAC, LHB2, LJ, LJC1, LJG, LSK, LVL, NJ, NJC1, NJG, NMB, NTB, NTU, NW, QAB2, QD, QJF, QJF1, QM, QVL, QXF1, SD, SDB2, SJ, SJG, SMG1, VEN, VES | |
| | 98079-56846 | PLUG, SPARK (BPR6ES) (NGK) | 1 | - | 1 | - | HX, HXU, HX2, HX26, LH, LHP1, LHQ4, LVSH, LX2, LX4, NDJ, NX, PX, PXU, QG2, QH, QHP1, QHQ4, QH26, QH4, QTP, QTP2, QVSH, QX, QXB2, QXC9, QXE2, QXE4, QXE6, QXE8, QXH4, QXS2, QXU, QX2, QX26, QX4, QX7, RH, RHA2, RHQ4, RH2, RH26, RJE, RMG2, RX, RXU, RX2, RX4, SH, SHQ4, SMC4, SMG2, SM11, SM12, SM14, SM21, SM22, SM24, SWG4, SX, SXE4, SXU, SX4, SX7, TX, TXU, TXU1, TX2, VEE1, VEN1, VEN2, VEN4, VES1, VGG2, VMG1, VMT, VPM4, VSD, VSD1, VSD2, VSD7, VSW, VSW1, VS17, VX, VXX, VXU, VXU1, VX2, VX4 | |
| | 98079-56855 | PLUG, SPARK (W20EPR-U) (DENSO) | - | 1 | - | 1 | HX, HXU, HX2, HX26, LH, LHP1, LHQ4, LX2, LX4, NDJ, NX, PX, PXU, QG2, QH, QHP1, QHQ4, QH26, QH4, QTP, QTP2, QX, QXB2, QXC9, QXE2, QXE4, QXE6, QXE8, QXH4, QXS2, QXU, QX2, QX26, QX4, QX7, RH, RHA2, RHQ4, RH2, RH26, RJE, RMG2, RX, RXU, RX2, RX4, SH, SHQ4, SMC4, SMG2, SM11, SM12, SM14, SM21, SM22, SM24, SWG4, SX, SXE4, SXU, SX4, SX7, TX, TXU, TXU1, TX2, VEE1, VEN1, VEN2, VEN4, VES1, VGG2, VMG1, VMT, VPM4, VSD, VSD1, VSD2, VSD7, VSW, VSW1, VS17, VX, VXX, VXU, VXU1, VX2, VX4 | |
| | | | - | 1 | - | 1 | | |
| | | | 1 | - | - | - | | |



E-3

CYLINDER BARREL

D 4



| Ref. No. | L.O.N. | (Relative ref. Number) Description | F.R.T. |
|----------|--------|------------------------------------|--------|
| 1 | 1101A0 | BARREL, CYLINDER | 2.0 |
| 2 | | (13) | |
| | 6151E8 | SWITCH, OIL LEVEL | 0.5 |
| | 1161C4 | GOVERNOR ASSEMBLY | 1.0 |
| | 1161B6 | SLIDER, GOVERNOR | 0.4 |
| | 1161B4 | SHAFT, GOVERNOR ARM | 0.9 |
| | 1101A4 | BEARING, CRANKSHAFT :FRONT ... | 1.3 |
| | 1101E4 | OIL SEAL, CRANKSHAFT :FRONT .. | 1.2 |

| Ref. No. | Part No. | Description | Reqd. QTY | | | | Serial No. | Parts catalogue code |
|----------|---------------|-------------------------------|-----------|-----|-----|-----|--|----------------------|
| | | | (1) | (2) | (3) | (4) | | |
| 1 | 12000-ZL0-416 | BARREL ASSY., CYLINDER | 1 | - | - | - | BL, LAC, LH, LHB2, LHP1, LHQ4, LJ, LJG, LSK, LVL, NDJ, NJ, NJC1, NJG, NMB, NTB, NTU, NW, QAB2, QD, QH, QHP1, QHQ4, QH26, QJF, QJF1, QM, QTP, QVL, QXB2, RH, RHA2, RHQ4, RH2, RH26, RJE, RMG2, SD, SDB2, SH, SHQ4, SJ, SJG, SMG2, SM11 | |
| | 12000-ZL0-417 | | 1 | - | - | - | HX, HXU, HX2, HX26, LJ, LX2, LX4, NX, PX, PXU, QG2, QH4, QTP2, QX, QXC9, QXE2, QXE4, QXE6, QXE8, QXF1, QXH4, QXS2, QXU, QX2, QX26, QX4, QX7, RX, RXU, RX2, RX4, SMC4, SMG1, SM12, SM14, SM21, SM22, SM24, SWG4, SX, SXE4, SXU, SX4, SX7, TX, TXU, TXU1, TX2, VEE1, VEN, VEN1, VEN2, VEN4, VES, VES1, VGG2, VMG1, VMT, VPM4, VSD, VSD1, VSD2, VSD7, VSW, VSW1, VS17, VX, VXK, VXU, VXU1, VX2, VX4 | |
| | 12000-ZL0-406 | | - | 1 | - | - | 1853341 | |
| | 12000-ZL0-407 | | - | - | - | 1 | 1853341 QDBR | |
| | 12000-ZL0-416 | | - | - | - | 1 | 1853341 QXBR, TXBR, VXBR | |
| | 12000-ZL0-417 | | - | - | - | 1 | 1853342 | |
| | 12000-ZL0-417 | | - | - | - | 1 | 1853342 QDBR | |
| | 12000-ZL0-417 | | - | - | - | 1 | 1853342 QXBR, TXBR, VXBR | |
| 2 | 15510-ZE1-033 | SWITCH ASSY., OIL LEVEL | 1 | - | - | 1 | HXU, HX2, HX26, LX2, LX4, NX, PX, PXU, QG2, QH4, QTP2, QX, QXBR, QXC9, QXE2, QXE4, QXE6, QXE8, QXH4, QXS2, QXU, QX2, QX26, QX4, QX7, RXU, RX2, RX4, SMC4, SM12, SM14, SM22, SM24, SWG4, SXE4, SXU, SX4, SX7, TX, TXBR, TXU, TXU1, TX2, VEN2, VEN4, VGG2, VPM4, VSD, VSD1, VSD2, VSD7, VS17, VXBR, VXU, VXU1, VX2, VX4 | |
| | 15510-ZE1-043 | | 1 | - | - | - | 2222937 HX, LJC1, QXF1, RX, SMG1, SM21, SX, VEE1, VEN, VEN1, VES, VES1, VMG1, VMT, VSW, VSW1, VX, VXK | |
| | 15510-ZE1-043 | | 1 | - | - | - | 2222938 HX, LJC1, QXF1, RX, SMG1, SM21, SX, VEE1, VEN, VEN1, VES, VES1, VMG1, VMT, VSW, VSW1, VX, VXK | |
| 3 | 16506-ZL0-000 | GOVERNOR ASSY. | 1 | 1 | 1 | 1 | | |
| 4 | 16531-ZE1-000 | SLIDER, GOVERNOR | 1 | 1 | 1 | 1 | | |

2

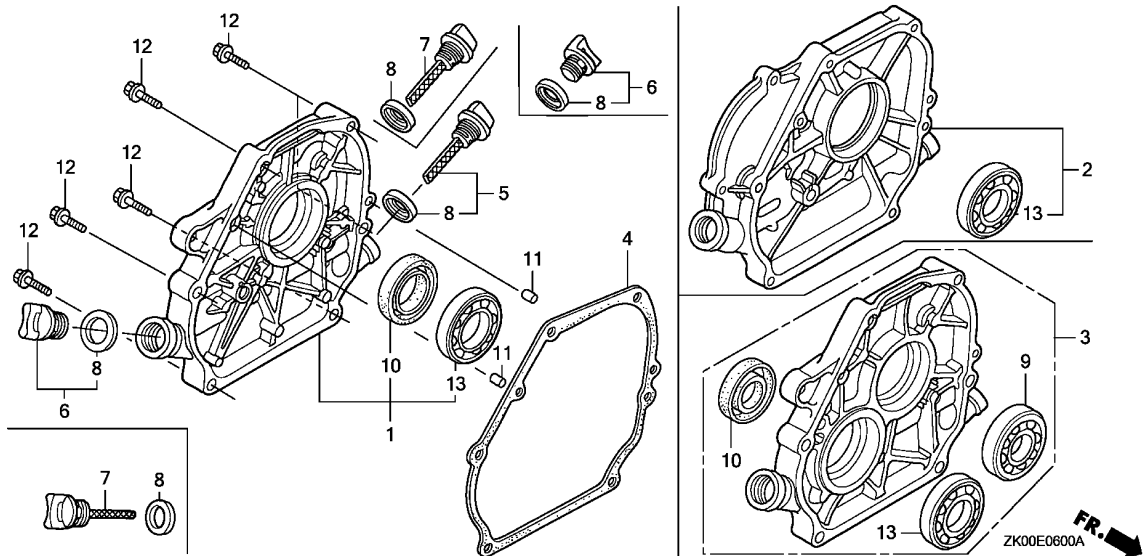
| Ref. No. | Part No. | Description | Reqd. QTY | | | | Serial No. | Parts catalogue code |
|----------|----------------|---|-----------|-----|-----|-----|--|----------------------|
| | | | (1) | (2) | (3) | (4) | | |
| 5 | 16541-ZE1-000 | SHAFT, GOVERNOR ARM | 1 | 1 | 1 | 1 | | |
| 6 | 68326-ZB2-000 | RUBBER, FR. BOTTOM | 2 | - | - | - | ----- VES, VES1 | |
| | 68328-ZB2-000 | RUBBER, BOTTOM | 2 | - | - | - | ----- NJC1 | |
| 7 | 90131-ZE1-000 | BOLT, DRAIN PLUG | 2 | 2 | 2 | 2 | | |
| 8 | 90451-ZE1-000 | WASHER, THRUST, 6MM | 1 | 1 | 1 | 1 | | |
| 9 | 90601-ZE1-000 | WASHER, DRAIN PLUG, 10.2MM .. | 2 | 2 | 2 | 2 | | |
| 10 | 90602-ZE1-000 | CLIP, GOVERNOR HOLDER | 1 | 1 | 1 | 1 | | |
| 11 | 91001-ZF1-003 | BEARING, RADIAL BALL (6205TMB) (NTN) | 1 | 1 | 1 | 1 | | |
| | 91001-ZF1-004 | BEARING, RADIAL BALL (6205SH) (KOYO) | 1 | 1 | 1 | 1 | | |
| 12 | 91201-ZOT-801 | OIL SEAL, 25X41X6 | 1 | 1 | 1 | 1 | | |
| 13 | 91353-671-004 | O-RING, 14MM(NOK) | 1 | - | - | 1 | ----- HX, HXU, HX2, HX26, LJC1, LX2, LX4, NX, PX, PXU, QG2, QH4, QTP2, QX, QXBR, QXC9, QXE2, QXE4, QXE6, QXE8, QXF1, QXH4, QXS2, QXU, QX2, QX26, QX4, QX7, RX, RXU, RX2, RX4, SMC4, SMG1, SM12, SM14, SM21, SM22, SM24, SWG4, SX, SXE4, SXU, SX4, SX7, TX, TXBR, TXU, TXU1, TX2, VEE1, VEN, VEN1, VEN2, VEN4, VES, VES1, VGG2, VMG1, VMT, VPM4, VSD, VSD1, VSD2, VSD7, VSW, VSW1, VS17, VX, VXBR, VXX, VXU, VXU1, VX2, VX4 | |
| 14 | 94050-10000 | NUT, FLANGE, 10MM | 1 | - | - | 1 | ----- HX, HXU, HX2, HX26, LJC1, LX2, LX4, NX, PX, PXU, QG2, QH4, QTP2, QX, QXBR, QXC9, QXE2, QXE4, QXE6, QXE8, QXF1, QXH4, QXS2, QXU, QX2, QX26, QX4, QX7, RX, RXU, RX2, RX4, SMC4, SMG1, SM12, SM14, SM21, SM22, SM24, SWG4, SX, SXE4, SXU, SX4, SX7, TX, TXBR, TXU, TXU1, TX2, VEE1, VEN, VEN1, VEN2, VEN4, VES, VES1, VGG2, VMG1, VMT, VPM4, VSD, VSD1, VSD2, VSD7, VSW, VSW1, VS17, VX, VXBR, VXX, VXU, VXU1, VX2, VX4 | |
| 15 | 94101-06800 | WASHER, PLAIN, 6MM | 2 | 2 | 2 | 2 | | |
| 16 | 94251-08000 | PIN, LOCK, 8MM | 1 | 1 | 1 | 1 | | |
| 17 | 95701-06012-00 | BOLT, FLANGE, 6X12 | 2 | - | - | 2 | ----- HX, HXU, HX2, HX26, LJC1, LX2, LX4, NX, PX, PXU, QG2, QH4, QTP2, QX, QXBR, QXC9, QXE2, QXE4, QXE6, QXE8, QXF1, QXH4, QXS2, QXU, QX2, QX26, QX4, QX7, RX, RXU, RX2, RX4, SMC4, SMG1, SM12, SM14, SM21, SM22, SM24, SWG4, SX, SXE4, SXU, SX4, SX7, TX, TXBR, TXU, TXU1, TX2, VEE1, VEN, VEN1, VEN2, VEN4, VES, VES1, VGG2, VMG1, VMT, VPM4, VSD, VSD1, VSD2, VSD7, VSW, VSW1, VS17, VX, VXBR, VXX, VXU, VXU1, VX2, VX4 | |
| | | | - | 2 | - | - | | |



E-6

CRANKCASE COVER(1)

D 6



| Ref. No. | L.O.N. | (Relative ref. Number) Description | F.R.T. |
|----------|--------|--------------------------------------|--------|
| 1 | (2,3) | COVER, CRANKCASE | 0.3 |
| 4 | 1101E9 | PACKING, CRANKCASE COVER | 0.3 |
| 9 | 1101A6 | BEARING, CRANKSHAFT :REAR | 0.5 |
| 10 | 1101E5 | OIL SEAL, CRANKSHAFT :REAR | 0.4 |
| | 2141L5 | OIL SEAL, POWER TAKE OFF SHAFT :REAR | 0.4 |
| 13 | 1101A6 | BEARING, CRANKSHAFT :REAR | 0.5 |
| | 2141L0 | BEARING, POWER TAKE OFF SHAFT :REAR | 0.5 |

| Ref. No. | Part No. | Description | Reqd. QTY | | | | Serial No. | Parts catalogue code |
|----------|---------------|------------------------|-----------|-----|-----|-----|---|----------------------|
| | | | (1) | (2) | (3) | (4) | | |
| 1 | 11300-ZE1-020 | COVER ASSY., CRANKCASE | 1 | - | - | - | RH,RHA2,RHQ4,RH2,RH26,RJE,RMG2,RX,RXU,RX2,RX4,SM12 | |
| | 11300-ZE1-634 | | 1 | - | - | - | BL,HX,HXU,HX2,HX26,QJF,QJF1,QXF1,SD,SDB2,SH,SHQ4,SJ,SJG,SMC4 SMG1,SMG2,SM11,SM14,SM21,SM22,SM24,SWG4,SX,SXE4,SXU,SX4,SX7 VEE1,VEN,VEN1,VEN2,VEN4,VES,VES1,VMG1,VSW,VSW1 | |
| | 11300-ZE1-642 | | 1 | - | - | - | PX,PXU,QAB2,QD,QG2,QH,QHP1,QHQ4,QH26,QH4,QM,QTP,QTP2,QVL,QX QXB2,QXC9,QXE2,QXE4,QXE6,QXE8,QXH4,QXS2,QXU,QX2,QX26,QX4,QX7 TX,TXU,TXU1,TX2,VGG2,VPM4,VSD,VSD1,VSD2,VSD7,VS17,VX,VXK,VXU VXU1,VX2,VX4 | |
| | 11300-ZE1-633 | | - | 1 | - | - | SDNI | |
| | 11300-ZE1-641 | | - | - | 1 | - | QVSH | |
| 2 | 11300-ZE1-613 | COVER ASSY., CRANKCASE | 1 | - | 1 | - | LAC,LH,LHB2,LHP1,LHQ4,LJ,LJC1,LJG,LSK,LVL,LVSH,LX2,LX4 | |
| 3 | 11300-ZLO-691 | COVER ASSY., CRANKCASE | 1 | - | - | - | NDJ,NJ,NJC1,NJG,NMB,NTB,NTU,NW,NX | |
| 4 | 11381-ZLO-000 | PACKING, CASE COVER | 1 | - | - | - | BL,HX,HXU,HX2,HX26,LAC,LH,LHB2,LHP1,LHQ4,LJ,LJC1,LJG,LSK,LVL LX2,LX4,NDJ,NJ,NJC1,NJG,NMB,NTB,NTU,NW,NX,PX,PXU,QAB2,QD,QG2 QH,QHP1,QHQ4,QH26,QH4,QJF,QJF1,QM,QTP,QTP2,QVL,QX,QXB2,QXC9 QXE2,QXE4,QXE6,QXE8,QXF1,QXH4,QXS2,QXU,QX2,QX26,QX4,QX7,RH RHA2,RHQ4,RH2,RH26,RJE,RMG2,RX,RXU,RX2,RX4,SD,SDB2,SH,SHQ4,SJ SJG,SMC4,SMG1,SMG2,SM11,SM12,SM14,SM21,SM22,SM24,SWG4,SX,SXE4 SXU,SX4,SX7,TX,TXU,TXU1,TX2,VEE1,VEN,VEN1,VEN2,VEN4,VES,VES1 VGG2,VMG1,VPM4,VSD,VSD1,VSD2,VSD7,VSW,VSW1,VS17,VX,VXK,VXU VXU1,VX2,VX4 | |
| | | | - | 1 | 1 | 1 | | |

2

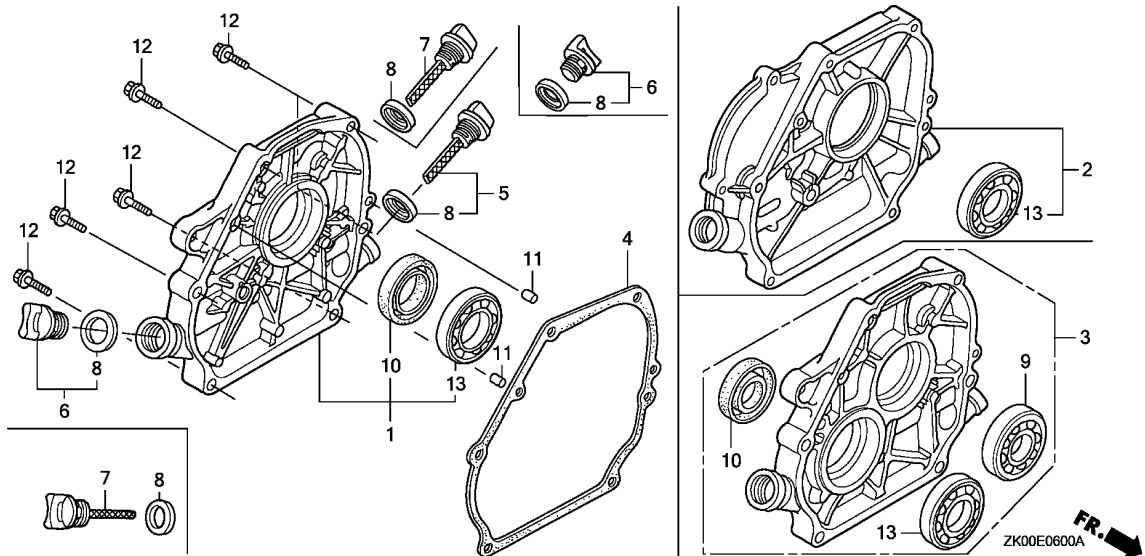
| Ref. No. | Part No. | Description | Reqd. QTY | | | | Serial No. | Parts catalogue code |
|----------|---------------|-------------------------------|-----------|-----|-----|-----|--|----------------------|
| | | | (1) | (2) | (3) | (4) | | |
| 5 | 15600-ZE1-003 | CAP ASSY., OIL FILLER (GRAY) | 1 | - | 1 | - | BL, HX, HXU, HX2, HX26, LAC, LH, LHB2, LHP1, LHQ4, LJ, LJC1, LJG, LSK, LVL, LVSH, LX2, LX4, NDJ, NJ, NJC1, NJG, NMB, NTB, NTU, NW, NX, PX, PXU, QAB2, QD, QG2, QH, QHP1, QHQ4, QH26, QH4, QJF, QJF1, QTP, QTP2, QVL, QX, QXB2, QXC9, QXE2, QXE4, QXE6, QXE8, QXF1, QXH4, QXS2, QXU, QX2, QX26, QX4, QX7, RH, RHA2, RHQ4, RH2, RH26, RJE, RMG2, RX, RXU, RX2, RX4, SD, SDB2, SH, SHQ4, SJ, SJG, SMC4, SM11, SM12, SM14, SM21, SM22, SM24, SWG4, SX, SXE4, SXU, SX4, SX7, TX, TXU, TXU1, TX2, VEE1, VEN, VEN1, VEN2, VEN4, VES, VES1, VGG2, VMG1, VPM4, VSD, VSD1, VSD2, VSD7, VSW, VSW1, VS17, VX, VXX, VXU, VXU1, VX2, VX4 | |
| | 15600-ZF0-003 | CAP ASSY., OIL FILLER | 1 | - | 1 | - | QM, QVSH, SDNI | |
| 6 | 15600-ZG4-003 | CAP ASSY., OIL FILLER | 1 | - | - | - | BL, HX, HXU, HX2, HX26, LAC, LH, LHB2, LHP1, LHQ4, LJ, LJC1, LJG, LSK, LVL, LX2, LX4, NDJ, NJ, NJC1, NJG, NMB, NTB, NTU, NW, NX, PX, PXU, QAB2, QD, QG2, QH, QHP1, QHQ4, QH26, QH4, QJF, QJF1, QM, QTP, QTP2, QVL, QX, QXB2, QXC9, QXE2, QXE4, QXE6, QXE8, QXF1, QXH4, QXS2, QXU, QX2, QX26, QX4, QX7, RH, RHA2, RHQ4, RH2, RH26, RJE, RMG2, RX, RXU, RX2, RX4, SD, SDB2, SH, SHQ4, SJ, SJG, SMC4, SM11, SM12, SM14, SM21, SM22, SM24, SWG4, SX, SXE4, SXU, SX4, SX7, TX, TXU, TXU1, TX2, VEE1, VEN, VEN1, VEN2, VEN4, VES, VES1, VGG2, VMG1, VPM4, VSD, VSD1, VSD2, VSD7, VSW, VSW1, VS17, VX, VXX, VXU, VXU1, VX2, VX4 | |
| | | | 2 | - | - | - | SMG1, SMG2 | |
| 7 | 15620-ZK7-800 | CAP, OIL FILLER | - | 1 | 1 | 1 | QDBR, QXBR | |
| 8 | 15625-ZE1-003 | PACKING, OIL FILLER CAP | 2 | - | - | - | BL, HX, HXU, HX2, HX26, LAC, LH, LHB2, LHP1, LHQ4, LJ, LJC1, LJG, LSK, LVL, LX2, LX4, NDJ, NJ, NJC1, NJG, NMB, NTB, NTU, NW, NX, PX, PXU, QAB2, QD, QG2, QH, QHP1, QHQ4, QH26, QH4, QJF, QJF1, QM, QTP, QTP2, QVL, QX, QXB2, QXC9, QXE2, QXE4, QXE6, QXE8, QXF1, QXH4, QXS2, QXU, QX2, QX26, QX4, QX7, RH, RHA2, RHQ4, RH2, RH26, RJE, RMG2, RX, RXU, RX2, RX4, SD, SDB2, SH, SHQ4, SJ, SJG, SMC4, SMG1, SMG2, SM11, SM12, SM14, SM21, SM22, SM24, SWG4, SX, SXE4, SXU, SX4, SX7, TX, TXU, TXU1, TX2, VEE1, VEN, VEN1, VEN2, VEN4, VES, VES1, VGG2, VMG1, VPM4, VSD, VSD1, VSD2, VSD7, VSW, VSW1, VS17, VX, VXX, VXU, VXU1, VX2, VX4 | |
| 9 | 91001-GF6-004 | BEARING, RADIAL BALL, 6304 .. | - | 2 | 2 | 2 | NDJ, NJ, NJC1, NJG, NMB, NTB, NTU, NW, NX | |
| 10 | 91201-ZOT-801 | OIL SEAL, 25X41X6 | 1 | - | 1 | - | BL, HX, HXU, HX2, HX26, LAC, LJG, LSK, NDJ, NJ, NJC1, NJG, NMB, NTB, NTU, NW, NX, PX, PXU, QAB2, QD, QG2, QH, QHP1, QHQ4, QH26, QH4, QJF, QJF1, QM, QTP, QTP2, QVL, QVSH, QX, QXB2, QXC9, QXE2, QXE4, QXE6, QXE8, QXF1, QXH4, QXS2, QXU, QX2, QX26, QX4, QX7, RH, RHA2, RHQ4, RH2, RH26, RJE, RMG2, RX, RXU, RX2, RX4, SD, SDB2, SDNI, SH, SHQ4, SJ, SJG, SMC4, SMG1, SMG2, SM11, SM12, SM14, SM21, SM22, SM24, SWG4, SX, SXE4, SXU, SX4, SX7, TX, TXU, TXU1, TX2, VEE1, VEN, VEN1, VEN2, VEN4, VES, VES1, VGG2, VMG1, VPM4, VSD, VSD1, VSD2, VSD7, VSW, VSW1, VS17, VX, VXX, VXU, VXU1, VX2, VX4 | |
| | | | - | 1 | - | 1 | | |
| 11 | 94301-08140 | DOWEL PIN, 8X14 | 2 | - | - | - | BL, HX, HXU, HX2, HX26, LAC, LH, LHB2, LHP1, LHQ4, LJ, LJC1, LJG, LSK, LVL, LX2, LX4, NDJ, NJ, NJC1, NJG, NMB, NTB, NTU, NW, NX, PX, PXU, QAB2, QD, QG2, QH, QHP1, QHQ4, QH26, QH4, QJF, QJF1, QM, QTP, QTP2, QVL, QX, QXB2, QXC9, QXE2, QXE4, QXE6, QXE8, QXF1, QXH4, QXS2, QXU, QX2, QX26, QX4, QX7, RH, RHA2, RHQ4, RH2, RH26, RJE, RMG2, RX, RXU, RX2, RX4, SD, SDB2, SH, SHQ4, SJ, SJG, SMC4, SMG1, SMG2, SM11, SM12, SM14, SM21, SM22, SM24, SWG4, SX, SXE4, SXU, SX4, SX7, TX, TXU, TXU1, TX2, VEE1, VEN, VEN1, VEN2, VEN4, VES, VES1, VGG2, VMG1, VPM4, VSD, VSD1, VSD2, VSD7, VSW, VSW1, VS17, VX, VXX, VXU, VXU1, VX2, VX4 | |
| | | | - | 2 | 2 | 2 | | |



E-6

CRANKCASE COVER(1)

D 8



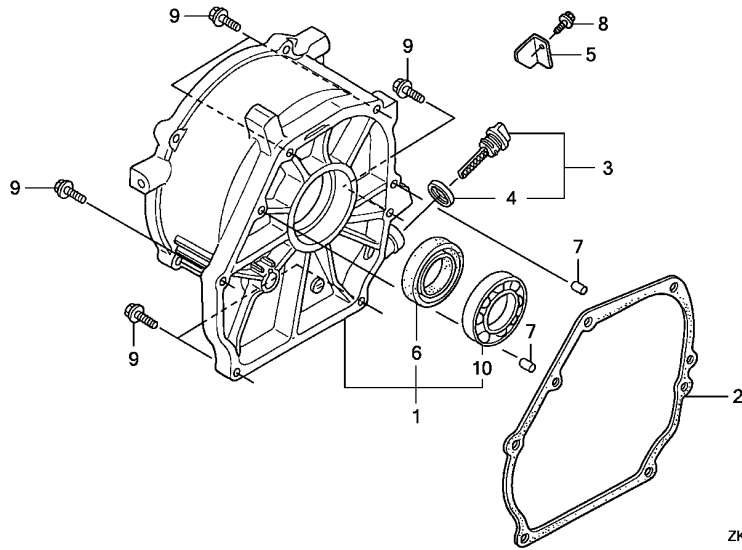
| Ref. No. | Part No. | Description | Reqd. QTY | | | | Serial No. | Parts catalogue code |
|----------|----------------|-------------------------------|-----------|-----|-----|-----|--|----------------------|
| | | | (1) | (2) | (3) | (4) | | |
| 12 | 95701-08032-00 | BOLT, FLANGE, 8X32 | 6 | - | - | - | BL, HX, HXU, HX2, HX26, LAC, LH, LHB2, LHP1, LHQ4, LJ, LJC1, LJG, LSK, LVL, LX2, LX4, NDJ, NJ, NJC1, NJG, NMB, NTB, NTU, NW, NX, PX, PXU, QAB2, QD, QG2, QH, QHP1, QHQ4, QH26, QH4, QJF, QJF1, QM, QTP, QTP2, QVL, QX, QXB2, QXC9, QXE2, QXE4, QXE6, QXE8, QXF1, QXH4, QXS2, QXU, QX2, QX26, QX4, QX7, RH, RHA2, RHQ4, RH2, RH26, RJE, RMG2, RX, RXU, RX2, RX4, SD, SDB2, SH, SHQ4, SJ, SJG, SMC4, SMG1, SMG2, SM11, SM12, SM14, SM21, SM22, SM24, SWG4, SX, SXE4, SXU, SX4, SX7, TX, TXU, TXU1, TX2, VEE1, VEN, VEN1, VEN2, VEN4, VES, VES1, VGG2, VMG1, VPM4, VSD, VSD1, VSD2, VSD7, VSW, VSW1, VS17, VX, VXX, VXU, VXU1, VX2, VX4 | |
| 13 | 96100-62050-00 | BEARING, RADIAL BALL, 6205 .. | 1 | 6 | 6 | 6 | BL, HX, HXU, HX2, HX26, LAC, LH, LHB2, LHP1, LHQ4, LJ, LJC1, LJG, LSK, LVL, LX2, LX4, NDJ, NJ, NJC1, NJG, NMB, NTB, NTU, NW, NX, PX, PXU, QAB2, QD, QG2, QH, QHP1, QHQ4, QH26, QH4, QJF, QJF1, QM, QTP, QTP2, QVL, QX, QXB2, QXC9, QXE2, QXE4, QXE6, QXE8, QXF1, QXH4, QXS2, QXU, QX2, QX26, QX4, QX7, RH, RHA2, RHQ4, RH2, RH26, RJE, RMG2, RX, RXU, RX2, RX4, SD, SDB2, SH, SHQ4, SJ, SJG, SMC4, SMG1, SMG2, SM11, SM12, SM14, SM21, SM22, SM24, SWG4, SX, SXE4, SXU, SX4, SX7, TX, TXU, TXU1, TX2, VEE1, VEN, VEN1, VEN2, VEN4, VES, VES1, VGG2, VMG1, VPM4, VSD, VSD1, VSD2, VSD7, VSW, VSW1, VS17, VX, VXX, VXU, VXU1, VX2, VX4 | |
| | | | - | 1 | 1 | 1 | | |

2

E-6-1

CRANKCASE COVER(2)

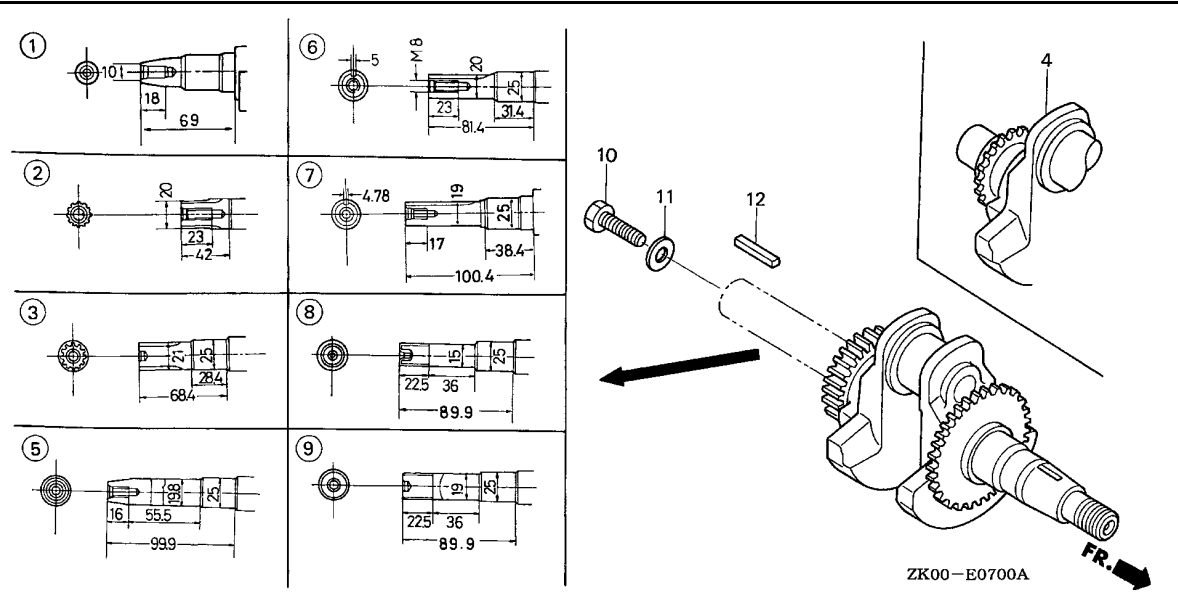
D 9



| Ref. No. | L.O.N. | (Relative ref. Number) Description | F.R.T. |
|----------|--------|------------------------------------|--------|
| 1 | 1101F1 | COVER, CRANKCASE | 0.3 |
| 2 | 1101E9 | PACKING, CRANKCASE COVER | 0.3 |
| 6 | 1101E5 | OIL SEAL, CRANKSHAFT :REAR ... | 0.4 |
| 10 | 1101A6 | BEARING, CRANKSHAFT :REAR | 0.5 |

| Ref. No. | Part No. | Description | Reqd. QTY | | | | Serial No. | Parts catalogue code |
|----------|----------------|------------------------------------|-----------|-----|-----|-----|------------|----------------------|
| | | | (1) | (2) | (3) | (4) | | |
| 1 | 11300-ZH8-F01 | COVER ASSY., CRANKCASE | 1 | - | - | - | ----- | VMT |
| 2 | 11381-ZL0-000 | PACKING, CASE COVER | 1 | - | - | - | ----- | VMT |
| 3 | 15600-ZE1-003 | CAP ASSY., OIL FILLER (GRAY) | 1 | - | - | - | ----- | VMT |
| 4 | 15625-ZE1-003 | PACKING, OIL FILLER CAP | 1 | - | - | - | ----- | VMT |
| 5 | 50339-ZR4-T60 | PLATE, GUARD | 1 | - | - | - | ----- | VMT |
| 6 | 91201-Z0T-801 | OIL SEAL, 25X41X6 | 1 | - | - | - | ----- | VMT |
| 7 | 94301-08140 | DOWEL PIN, 8X14 | 2 | - | - | - | ----- | VMT |
| 8 | 95701-06012-00 | BOLT, FLANGE, 6X12 | 1 | - | - | - | ----- | VMT |
| 9 | 95701-08032-00 | BOLT, FLANGE, 8X32 | 6 | - | - | - | ----- | VMT |
| 10 | 96100-62050-00 | BEARING, RADIAL BALL, 6205 .. | 1 | - | - | - | ----- | VMT |

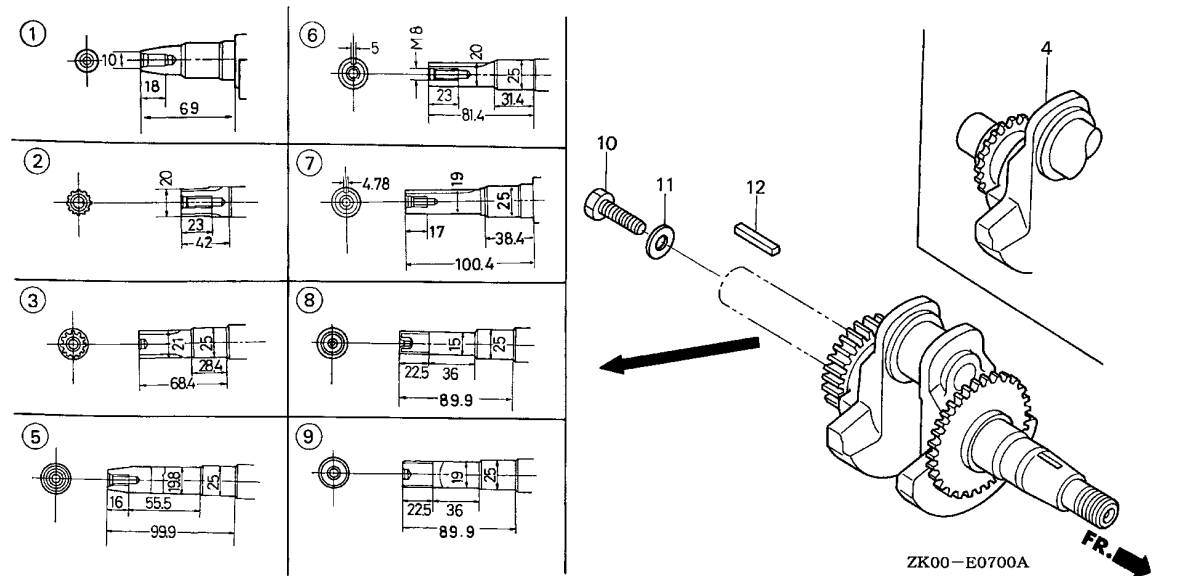
2



| Ref. No. | L.O.N. | (Relative ref. Number) Description | F.R.T. |
|----------|--------|------------------------------------|--------|
| 1 | | (2,3,4,5,6,7,8,9) | |
| 1101F0 | | CRANKSHAFT | 1.1 |

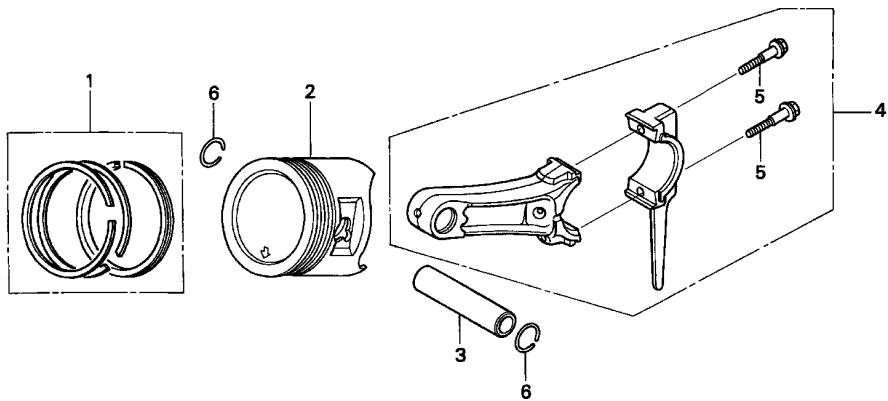
| Ref. No. | Part No. | Description | Reqd. QTY | | | | Serial No. | Parts catalogue code |
|----------|---------------|-----------------------|-----------|-----|-----|---------|--|----------------------|
| | | | (1) | (2) | (3) | (4) | | |
| 1 | 13310-ZL0-A01 | CRANKSHAFT COMP. | 1 | - | - | - | VEN2, VEN4 | |
| | 13310-ZL0-A02 | | 1 | - | - | 2170877 | BL, VEE1, VEN, VEN1, VES, VES1, VMG1, VMT | |
| 2 | 13310-ZL0-611 | CRANKSHAFT COMP. | 1 | - | 1 | 2170878 | BL, VEE1, VEN, VEN1, VES, VES1, VMG1, VMT | |
| | 13310-ZL0-612 | | 1 | - | - | - | LH, LHB2, LHP1, LHQ4, LJ, LJC1, LJG, LVL, LVSH, LX2, LX4 | |
| 3 | 13310-ZL0-621 | CRANKSHAFT COMP. | 1 | - | - | - | LAC, LSK | |
| 4 | 13310-ZL0-691 | CRANKSHAFT COMP. | 1 | - | - | - | HX, HXU, HX2, HX26 | |
| | 13310-ZL0-692 | | 1 | - | - | - | NDJ | |
| | 13310-ZL0-692 | | 1 | - | - | 2173488 | NJ, NJC1, NJG, NMB, NTB, NTU, NW, NX | |
| 5 | 13310-ZL0-871 | CRANKSHAFT COMP. | 1 | - | - | 2173489 | NJ, NJC1, NJG, NMB, NTB, NTU, NW, NX | |
| | 13310-Z0V-850 | | 1 | - | - | - | VSD7, VS17 | |
| | 13310-ZL0-672 | | 1 | - | - | 2075991 | VGG2, VPM4, VSD, VSD1, VSD2, VX, VXU, VXU1, VX2, VX4 | |
| | 13310-ZL0-672 | | 1 | - | 1 | - | VSW, VSW1, VXBR, VXK | |
| | 13310-ZL0-672 | | 1 | - | - | 2075992 | VGG2, VPM4, VSD, VSD1, VSD2, VX, VXU, VXU1, VX2, VX4 | |
| 6 | 13310-ZL0-881 | CRANKSHAFT COMP. | 1 | - | - | - | SX7 | |
| | 13310-Z0V-880 | | 1 | - | - | 2092787 | RH, RHA2, RHQ4, RH2, RH26, RJE, RMG2, RX, RXU, RX2, RX4, SD, SDB2, SH, SHQ4 SJ, SJG, SMC4, SMG1, SMG2, SM11, SM12, SM14, SM21, SM22, SM24, SWG4, SX SXE4, SXU, SX4 | |
| | 13310-ZL0-020 | | 1 | - | 1 | 2092788 | SDNI RH, RHA2, RHQ4, RH2, RH26, RJE, RMG2, RX, RXU, RX2, RX4, SD, SDB2, SH, SHQ4 SJ, SJG, SMC4, SMG1, SMG2, SM11, SM12, SM14, SM21, SM22, SM24, SWG4, SX SXE4, SXU, SX4 | |
| 7 | 13310-ZL0-891 | CRANKSHAFT COMP. | 1 | - | - | - | QX7 | |
| | 13310-Z0V-800 | | 1 | - | - | 2101424 | QAB2, QD, QG2, QH, QHP1, QHQ4, QH26, QH4, QJF, QJF1, QM, QTP, QTP2, QVL, QX QXB2, QXC9, QXE2, QXE4, QXE6, QXE8, QXF1, QXH4, QXS2, QXU, QX2, QX26, QX4 QVSH | |

2



| Ref. No. | Part No. | Description | Reqd. QTY | | | | Serial No. | Parts catalogue code |
|----------|----------------|----------------------------|-----------|-----|-----|-----|---------------|---|
| | | | (1) | (2) | (3) | (4) | | |
| (7) | 13310-ZL0-602 | CRANKSHAFT COMP. | 1 | - | - | - | 2101425 ----- | QAB2, QD, QG2, QH, QHP1, QHQ4, QH26, QH4, QJF, QJF1, QM, QTP, QTP2, QVL, QX QXB2, QXC9, QXE2, QXE4, QXE6, QXE8, QXF1, QXH4, QXS2, QXU, QX2, QX26, QX4 |
| 8 | 13310-Z0V-830 | CRANKSHAFT COMP. | 1 | - | - | 1 | ----- | QDBR, QXBR |
| 9 | 13310-Z0V-840 | CRANKSHAFT COMP. | 1 | - | - | - | 2093187 | TX, TXBR, TXU, TXU1, TX2 |
| | 13310-ZL0-652 | | 1 | - | - | - | 2093188 | PX, PXU |
| 10 | 90003-ZE1-000 | BOLT, HEX., 5/16" | 1 | - | 1 | - | ----- | QAB2, QH4, QVL, QVSH, QXH4 |
| | 92101-08025-0A | BOLT, HEX., 8X25 | 1 | - | 1 | - | ----- | LAC, LH, LHB2, LHP1, LHQ4, LJ, LJC1, LJG, LSK, LVL, LVSH, LX2, LX4, NDJ, NJ NJG, NMB, NTB, NTU, NW, SJ, SJG, SM11, SM12, SM14, SM21, SM22, SM24 |
| 11 | 90473-842-000 | WASHER, 8MM | 1 | - | 1 | - | ----- | LAC, LHB2, LJ, LJC1, LJG, LSK, LVL, LVSH, NDJ, NJ, NJG, NMB, NTB, NTU, NW QAB2, QH4, QVL, QVSH, QXH4, SJ, SJG, SM11, SM12, SM14, SM21, SM22, SM24 |
| 12 | 90741-883-810 | KEY, 5X5X33 (YELLOW) | 1 | - | 1 | - | ----- | LAC, LH, LHB2, LHP1, LHQ4, LJ, LJC1, LJG, LSK, LVL, LX2, LX4, NDJ, NJ, NJC1 NJG, NMB, NTB, NTU, NW, NX, SD, SDB2, SDNI, SH, SHQ4, SJ, SJG, SMC4, SM11 SM12, SM14, SM21, SM22, SM24, SWG4, SX, SXE4, SXU, SX4, SX7 |
| | 90745-ZE1-600 | KEY, 4.78X4.78X38 | 1 | - | 1 | 1 | ----- | BL, QAB2, QD, QDBR, QG2, QHP1, QH4, QJF, QTP2, QVL, QVSH, QX, QXBR, QXB2 QXC9, QXE2, QXE4, QXE6, QXH4, QXS2, QXU, QX2, QX26, QX4, QX7 |





ZK00-E0800

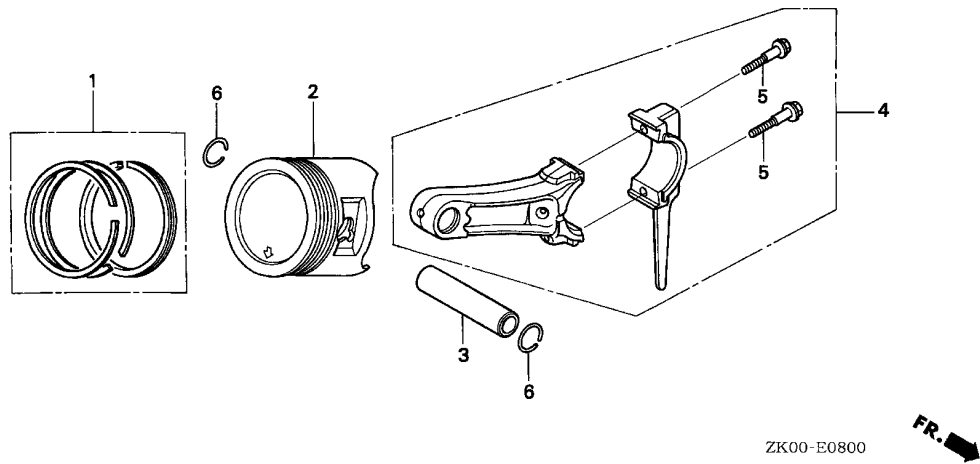


| Ref. No. | L.O.N. | (Relative ref. Number) Description | F.R.T. |
|----------|--------|--|--------|
| 2 | | (1,3,4) | |
| 1111R1 | | PISTON AND/OR RING SET AND/OR BEARING AND/OR RODINCLUDES: Inspection/ Measurement/Cleaning | 1.1 |

| Ref. No. | Part No. | Description | Reqd. QTY | | | | Serial No. | Parts catalogue code |
|----------|---------------|--------------------------------------|-----------|-----|-----|-----|---|----------------------|
| | | | (1) | (2) | (3) | (4) | | |
| 1 | 13010-ZL0-003 | RING SET, PISTON (STD.) (TEIKOKU) | 1 | - | - | - | HXU, HX2, HX26, LHQ4, LX2, LX4, NDJ, NX, PX, PXU, QD, QG2, QH4, QH26, QH4, QM, QTP2, QXB2, QXC9, QXE2, QXE4, QXE6, QXE8, QXH4, QXS2, QXU, QX2, QX26, QX4, QX7, RHA2, RHQ4, RH2, RH26, RMG2, RXU, RX2, RX4, SDB2, SHQ4, SMC4, SM12, SM14, SM22, SM24, SWG4, SXE4, SXU, SX4, SX7, TXU, TXU1, TX2, VEN2, VEN4, VGG2, VPM4, VSD, VSD1, VSD2, VSD7, VS17, VXU1, VX2, VX4 | |
| | | | 1 | - | - | - | 2203880 BL, HX, LAC, LH, LHB2, LHP1, LJ, LJC1, LJG, LSK, LVL, NJ, NJC1, NJG, NMB, NTB, NTU, NW, QAB2, QH, QHP1, QJF, QJF1, QTP, QVL, QX, QXF1, RH, RJE, RX, SD, SH, SJ, SJG, SMG1, SMG2, SM11, SM21, SX, TX, VEE1, VEN, VEN1, VES, VES1, VMG1, VMT, VSW, VSW1, VX, VXK, VXU | |
| | 13010-ZL0-004 | RING SET, PISTON (STD.) (NIPPON) | - | 1 | 1 | 1 | HXU, HX2, HX26, LHQ4, LX2, LX4, NDJ, NX, PX, PXU, QD, QG2, QH4, QH26, QH4, QM, QTP2, QXB2, QXC9, QXE2, QXE4, QXE6, QXE8, QXH4, QXS2, QXU, QX2, QX26, QX4, QX7, RHA2, RHQ4, RH2, RH26, RMG2, RXU, RX2, RX4, SDB2, SHQ4, SMC4, SM12, SM14, SM22, SM24, SWG4, SXE4, SXU, SX4, SX7, TXU, TXU1, TX2, VEN2, VEN4, VGG2, VPM4, VSD, VSD1, VSD2, VSD7, VS17, VXU1, VX2, VX4 | |
| | | | 1 | - | - | - | 2203880 BL, HX, LAC, LH, LHB2, LHP1, LJ, LJC1, LJG, LSK, LVL, NJ, NJC1, NJG, NMB, NTB, NTU, NW, QAB2, QH, QHP1, QJF, QJF1, QTP, QVL, QX, QXF1, RH, RJE, RX, SD, SH, SJ, SJG, SMG1, SMG2, SM11, SM21, SX, TX, VEE1, VEN, VEN1, VES, VES1, VMG1, VMT, VSW, VSW1, VX, VXK, VXU | |
| | | | - | 1 | 1 | 1 | | |

| Ref. No. | Part No. | Description | Reqd. QTY | | | | Serial No. | Parts catalogue code |
|----------|---------------|--------------------------------------|-----------|-----|-----|-----|------------|--|
| | | | (1) | (2) | (3) | (4) | | |
| (1) | 13011-ZL0-003 | RING SET, PISTON (0.25) (TEIKOKU) | (1) | - | - | - | ----- | HXU, HX2, HX26, LHQ4, LX2, LX4, NDJ, NX, PX, PXU, QD, QG2, QHQ4, QH26, QH4, QM, QTP2, QXB2, QXC9, QXE2, QXE4, QXE6, QXE8, QXH4, QXS2, QXU, QX2, QX26, QX4, QX7, RHA2, RHQ4, RH2, RH26, RMG2, RXU, RX2, RX4, SDB2, SHQ4, SMC4, SM12, SM14, SM22, SM24, SWG4, SXE4, SXU, SX4, SX7, TXU, TXU1, TX2, VEN2, VEN4, VGG2, VPM4, VSD, VSD1, VSD2, VSD7, VS17, VXU1, VX2, VX4 |
| | | | (1) | - | - | - | ----- | 2203880 BL, HX, LAC, LH, LHB2, LHP1, LJ, LJC1, LJG, LSK, LVL, NJ, NJC1, NJG, NMB, NTB, NTU, NW, QAB2, QH, QHP1, QJF, QJF1, QTP, QVL, QX, QXF1, RH, RJE, RX, SD, SH, SJ, SJG, SMG1, SMG2, SM11, SM21, SX, TX, VEE1, VEN, VEN1, VES, VES1, VMG1, VMT, VSW, VSW1, VX, VXK, VXU |
| | | | - | (1) | (1) | (1) | | |
| | 13011-ZL0-004 | RING SET, PISTON (0.25) (NIPPON) | (1) | - | - | - | ----- | HXU, HX2, HX26, LHQ4, LX2, LX4, NDJ, NX, PX, PXU, QD, QG2, QHQ4, QH26, QH4, QM, QTP2, QXB2, QXC9, QXE2, QXE4, QXE6, QXE8, QXH4, QXS2, QXU, QX2, QX26, QX4, QX7, RHA2, RHQ4, RH2, RH26, RMG2, RXU, RX2, RX4, SDB2, SHQ4, SMC4, SM12, SM14, SM22, SM24, SWG4, SXE4, SXU, SX4, SX7, TXU, TXU1, TX2, VEN2, VEN4, VGG2, VPM4, VSD, VSD1, VSD2, VSD7, VS17, VXU1, VX2, VX4 |
| | | | (1) | - | - | - | ----- | 2203880 BL, HX, LAC, LH, LHB2, LHP1, LJ, LJC1, LJG, LSK, LVL, NJ, NJC1, NJG, NMB, NTB, NTU, NW, QAB2, QH, QHP1, QJF, QJF1, QTP, QVL, QX, QXF1, RH, RJE, RX, SD, SH, SJ, SJG, SMG1, SMG2, SM11, SM21, SX, TX, VEE1, VEN, VEN1, VES, VES1, VMG1, VMT, VSW, VSW1, VX, VXK, VXU |
| | | | - | (1) | (1) | (1) | | |
| | 13012-ZL0-003 | RING SET, PISTON (0.50) (TEIKOKU) | (1) | - | - | - | ----- | HXU, HX2, HX26, LHQ4, LX2, LX4, NDJ, NX, PX, PXU, QD, QG2, QHQ4, QH26, QH4, QM, QTP2, QXB2, QXC9, QXE2, QXE4, QXE6, QXE8, QXH4, QXS2, QXU, QX2, QX26, QX4, QX7, RHA2, RHQ4, RH2, RH26, RMG2, RXU, RX2, RX4, SDB2, SHQ4, SMC4, SM12, SM14, SM22, SM24, SWG4, SXE4, SXU, SX4, SX7, TXU, TXU1, TX2, VEN2, VEN4, VGG2, VPM4, VSD, VSD1, VSD2, VSD7, VS17, VXU1, VX2, VX4 |
| | | | (1) | - | - | - | ----- | 2203880 BL, HX, LAC, LH, LHB2, LHP1, LJ, LJC1, LJG, LSK, LVL, NJ, NJC1, NJG, NMB, NTB, NTU, NW, QAB2, QH, QHP1, QJF, QJF1, QTP, QVL, QX, QXF1, RH, RJE, RX, SD, SH, SJ, SJG, SMG1, SMG2, SM11, SM21, SX, TX, VEE1, VEN, VEN1, VES, VES1, VMG1, VMT, VSW, VSW1, VX, VXK, VXU |
| | | | - | (1) | (1) | (1) | | |
| | 13012-ZL0-004 | RING SET, PISTON (0.50) (NIPPON) | (1) | - | - | - | ----- | HXU, HX2, HX26, LHQ4, LX2, LX4, NDJ, NX, PX, PXU, QD, QG2, QHQ4, QH26, QH4, QM, QTP2, QXB2, QXC9, QXE2, QXE4, QXE6, QXE8, QXH4, QXS2, QXU, QX2, QX26, QX4, QX7, RHA2, RHQ4, RH2, RH26, RMG2, RXU, RX2, RX4, SDB2, SHQ4, SMC4, SM12, SM14, SM22, SM24, SWG4, SXE4, SXU, SX4, SX7, TXU, TXU1, TX2, VEN2, VEN4, VGG2, VPM4, VSD, VSD1, VSD2, VSD7, VS17, VXU1, VX2, VX4 |
| | | | (1) | - | - | - | ----- | 2203880 BL, HX, LAC, LH, LHB2, LHP1, LJ, LJC1, LJG, LSK, LVL, NJ, NJC1, NJG, NMB, NTB, NTU, NW, QAB2, QH, QHP1, QJF, QJF1, QTP, QVL, QX, QXF1, RH, RJE, RX, SD, SH, SJ, SJG, SMG1, SMG2, SM11, SM21, SX, TX, VEE1, VEN, VEN1, VES, VES1, VMG1, VMT, VSW, VSW1, VX, VXK, VXU |
| | | | - | (1) | (1) | (1) | | |
| | 13013-ZL0-003 | RING SET, PISTON (0.75) (TEIKOKU) | (1) | - | - | - | ----- | HXU, HX2, HX26, LHQ4, LX2, LX4, NDJ, NX, PX, PXU, QD, QG2, QHQ4, QH26, QH4, QM, QTP2, QXB2, QXC9, QXE2, QXE4, QXE6, QXE8, QXH4, QXS2, QXU, QX2, QX26, QX4, QX7, RHA2, RHQ4, RH2, RH26, RMG2, RXU, RX2, RX4, SDB2, SHQ4, SMC4, SM12, SM14, SM22, SM24, SWG4, SXE4, SXU, SX4, SX7, TXU, TXU1, TX2, VEN2, VEN4, VGG2, VPM4, VSD, VSD1, VSD2, VSD7, VS17, VXU1, VX2, VX4 |
| | | | (1) | - | - | - | ----- | 2203880 BL, HX, LAC, LH, LHB2, LHP1, LJ, LJC1, LJG, LSK, LVL, NJ, NJC1, NJG, NMB, NTB, NTU, NW, QAB2, QH, QHP1, QJF, QJF1, QTP, QVL, QX, QXF1, RH, RJE, RX, SD, SH, SJ, SJG, SMG1, SMG2, SM11, SM21, SX, TX, VEE1, VEN, VEN1, VES, VES1, VMG1, VMT, VSW, VSW1, VX, VXK, VXU |
| | | | - | (1) | (1) | (1) | | |

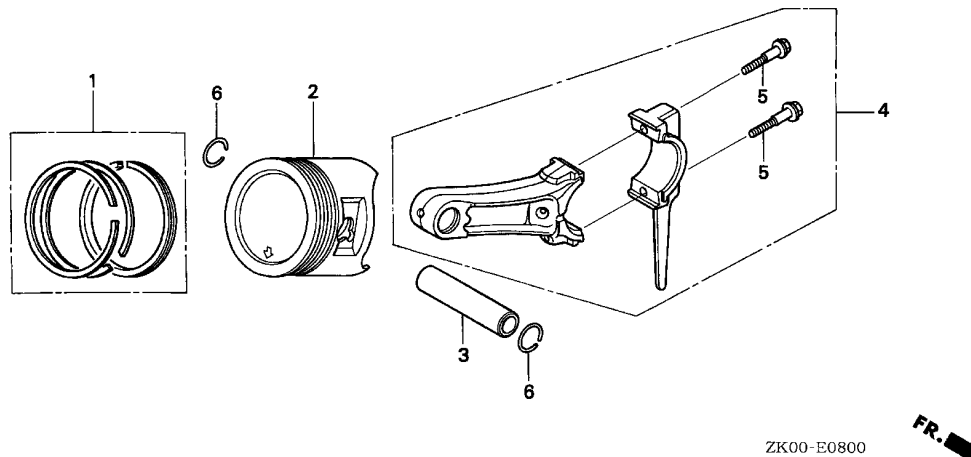




| Ref. No. | Part No. | Description | Reqd. QTY | | | | Serial No. | Parts catalogue code | |
|----------|---------------|--------------------------------------|-----------|-----|-----|-----|--|---|--|
| | | | (1) | (2) | (3) | (4) | | | |
| (1) | 13013-ZL0-004 | RING SET, PISTON (0.75) (NIPPON) | (1) | - | - | - | HXU, HX2, HX26, LHQ4, LX2, LX4, NDJ, NX, PX, PXU, QD, QG2, QHQ4, QH26, QH4, QM, QTP2, QXB2, QXC9, QXE2, QXE4, QXE6, QXE8, QXH4, QXS2, QXU, QX2, QX26, QX4, QX7, RHA2, RHQ4, RH2, RH26, RMG2, RXU, RX2, RX4, SDB2, SHQ4, SMC4, SM12, SM14, SM22, SM24, SWG4, SXE4, SXU, SX4, SX7, TXU, TXU1, TX2, VEN2, VEN4, VGG2, VPM4, VSD, VSD1, VSD2, VSD7, VS17, VXU1, VX2, VX4 | | |
| | | | (1) | - | - | - | 2203880 | BL, HX, LAC, LH, LHB2, LHP1, LJ, LJC1, LJG, LSK, LVL, NJ, NJC1, NJG, NMB, NTB, NTU, NW, QAB2, QH, QHP1, QJF, QJF1, QTP, QVL, QX, QXF1, RH, RJE, RX, SD, SH, SJ, SJG, SMG1, SMG2, SM11, SM21, SX, TX, VEE1, VEN, VEN1, VES, VES1, VMG1, VMT, VSW, VSW1, VX, VXK, VXU | |
| | 13010-Z4K-004 | RING SET, PISTON (STD.) (TEIKOKU) | - | (1) | (1) | (1) | 2203881 | BL, HX, LAC, LH, LHB2, LHP1, LJ, LJC1, LJG, LSK, LVL, NJ, NJC1, NJG, NMB, NTB, NTU, NW, QAB2, QH, QHP1, QJF, QJF1, QTP, QVL, QX, QXF1, RH, RJE, RX, SD, SH, SJ, SJG, SMG1, SMG2, SM11, SM21, SX, TX, VEE1, VEN, VEN1, VES, VES1, VMG1, VMT, VSW, VSW1, VX, VXK, VXU | |
| | 13011-Z4K-004 | RING SET, PISTON (0.25) (TEIKOKU) | (1) | - | - | - | 2203881 | BL, HX, LAC, LH, LHB2, LHP1, LJ, LJC1, LJG, LSK, LVL, NJ, NJC1, NJG, NMB, NTB, NTU, NW, QAB2, QH, QHP1, QJF, QJF1, QTP, QVL, QX, QXF1, RH, RJE, RX, SD, SH, SJ, SJG, SMG1, SMG2, SM11, SM21, SX, TX, VEE1, VEN, VEN1, VES, VES1, VMG1, VMT, VSW, VSW1, VX, VXK, VXU | |
| | 13012-Z4K-004 | RING SET, PISTON (0.50) (TEIKOKU) | (1) | - | - | - | 2203881 | BL, HX, LAC, LH, LHB2, LHP1, LJ, LJC1, LJG, LSK, LVL, NJ, NJC1, NJG, NMB, NTB, NTU, NW, QAB2, QH, QHP1, QJF, QJF1, QTP, QVL, QX, QXF1, RH, RJE, RX, SD, SH, SJ, SJG, SMG1, SMG2, SM11, SM21, SX, TX, VEE1, VEN, VEN1, VES, VES1, VMG1, VMT, VSW, VSW1, VX, VXK, VXU | |

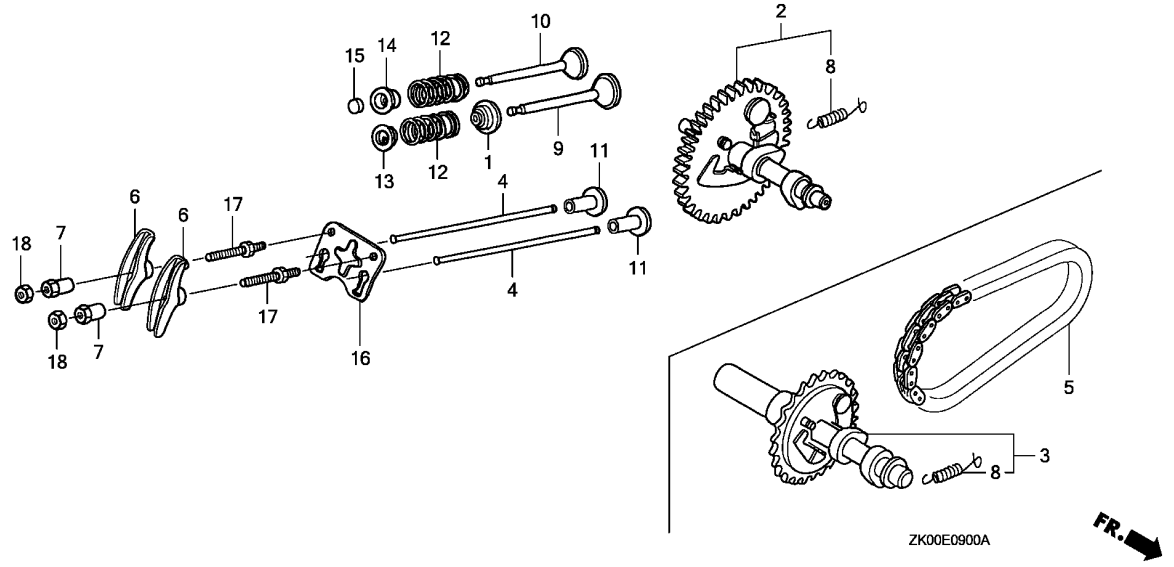
| Ref. No. | Part No. | Description | Reqd. QTY | | | | Serial No. | Parts catalogue code |
|----------|---------------|--------------------------------------|-----------|-----|-----|-----|------------|--|
| | | | (1) | (2) | (3) | (4) | | |
| (1) | 13013-Z4K-004 | RING SET, PISTON (0.75) (TEIKOKU) | (1) | - | - | - | 2203881 | BL, HX, LAC, LH, LHB2, LHP1, LJ, LJC1, LJG, LSK, LVL, NJ, NJC1, NJG, NMB, NTB, NTU, NW, QAB2, QH, QHP1, QJF, QJF1, QTP, QVL, QX, QXF1, RH, RJE, RX, SD, SH, SJ, SJG, SMG1, SMG2, SM11, SM21, SX, TX, VEE1, VEN, VEN1, VES, VES1, VMG1, VMT, VSW, VSW1, VX, VXK, VXU |
| 2 | 13101-ZL0-010 | PISTON (STD.) | 1 | - | - | - | | HXU, HX2, HX26, LHQ4, LX2, LX4, NDJ, NX, PX, PXU, QD, QG2, QHQ4, QH26, QH4, QTP2, QXB2, QXC9, QXE2, QXE4, QXE6, QXE8, QXH4, QXS2, QXU, QX2, QX26, QX4, QX7, RHA2, RHQ4, RH2, RH26, RMG2, RXU, RX2, RX4, SDB2, SHQ4, SMC4, SM12, SM14, SM22, SM24, SWG4, SXE4, SXU, SX4, SX7, TXU, TXU1, TX2, VEN2, VEN4, VGG2, VPM4, VSD, VSD1, VSD2, VSD7, VS17, VXU1, VX2, VX4 |
| | | | 1 | - | - | - | 2203880 | BL, HX, LAC, LH, LHB2, LHP1, LJ, LJC1, LJG, LSK, LVL, NJ, NJC1, NJG, NMB, NTB, NTU, NW, QAB2, QH, QHP1, QJF, QJF1, QTP, QVL, QX, QXF1, RH, RJE, RX, SD, SH, SJ, SJG, SMG1, SMG2, SM11, SM21, SX, TX, VEE1, VEN, VEN1, VES, VES1, VMG1, VMT, VSW, VSW1, VX, VXK, VXU |
| | | | - | 1 | - | 1 | | |
| | 13101-ZL0-801 | | 1 | - | - | - | | QM |
| | | | - | - | 1 | - | | |
| | 13102-ZL0-010 | PISTON (0.25) | (1) | - | - | - | | HXU, HX2, HX26, LHQ4, LX2, LX4, NDJ, NX, PX, PXU, QD, QG2, QHQ4, QH26, QH4, QM, QTP2, QXB2, QXC9, QXE2, QXE4, QXE6, QXE8, QXH4, QXS2, QXU, QX2, QX26, QX4, QX7, RHA2, RHQ4, RH2, RH26, RMG2, RXU, RX2, RX4, SDB2, SHQ4, SMC4, SM12, SM14, SM22, SM24, SWG4, SXE4, SXU, SX4, SX7, TXU, TXU1, TX2, VEN2, VEN4, VGG2, VPM4, VSD, VSD1, VSD2, VSD7, VS17, VXU1, VX2, VX4 |
| | | | (1) | - | - | - | 2203880 | BL, HX, LAC, LH, LHB2, LHP1, LJ, LJC1, LJG, LSK, LVL, NJ, NJC1, NJG, NMB, NTB, NTU, NW, QAB2, QH, QHP1, QJF, QJF1, QTP, QVL, QX, QXF1, RH, RJE, RX, SD, SH, SJ, SJG, SMG1, SMG2, SM11, SM21, SX, TX, VEE1, VEN, VEN1, VES, VES1, VMG1, VMT, VSW, VSW1, VX, VXK, VXU |
| | | | - | (1) | - | (1) | | |
| | 13102-ZL0-801 | | (1) | - | - | - | | QM |
| | | | - | - | (1) | - | | |
| | 13103-ZL0-010 | PISTON (0.50) | (1) | - | - | - | | HXU, HX2, HX26, LHQ4, LX2, LX4, NDJ, NX, PX, PXU, QD, QG2, QHQ4, QH26, QH4, QM, QTP2, QXB2, QXC9, QXE2, QXE4, QXE6, QXE8, QXH4, QXS2, QXU, QX2, QX26, QX4, QX7, RHA2, RHQ4, RH2, RH26, RMG2, RXU, RX2, RX4, SDB2, SHQ4, SMC4, SM12, SM14, SM22, SM24, SWG4, SXE4, SXU, SX4, SX7, TXU, TXU1, TX2, VEN2, VEN4, VGG2, VPM4, VSD, VSD1, VSD2, VSD7, VS17, VXU1, VX2, VX4 |
| | | | (1) | - | - | - | 2203880 | BL, HX, LAC, LH, LHB2, LHP1, LJ, LJC1, LJG, LSK, LVL, NJ, NJC1, NJG, NMB, NTB, NTU, NW, QAB2, QH, QHP1, QJF, QJF1, QTP, QVL, QX, QXF1, RH, RJE, RX, SD, SH, SJ, SJG, SMG1, SMG2, SM11, SM21, SX, TX, VEE1, VEN, VEN1, VES, VES1, VMG1, VMT, VSW, VSW1, VX, VXK, VXU |
| | | | - | (1) | - | (1) | | |
| | 13103-ZL0-801 | | (1) | - | - | - | | QM |
| | | | - | - | (1) | - | | |
| | 13104-ZL0-010 | PISTON (0.75) | (1) | - | - | - | | HXU, HX2, HX26, LHQ4, LX2, LX4, NDJ, NX, PX, PXU, QD, QG2, QHQ4, QH26, QH4, QM, QTP2, QXB2, QXC9, QXE2, QXE4, QXE6, QXE8, QXH4, QXS2, QXU, QX2, QX26, QX4, QX7, RHA2, RHQ4, RH2, RH26, RMG2, RXU, RX2, RX4, SDB2, SHQ4, SMC4, SM12, SM14, SM22, SM24, SWG4, SXE4, SXU, SX4, SX7, TXU, TXU1, TX2, VEN2, VEN4, VGG2, VPM4, VSD, VSD1, VSD2, VSD7, VS17, VXU1, VX2, VX4 |
| | | | (1) | - | - | - | 2203880 | BL, HX, LAC, LH, LHB2, LHP1, LJ, LJC1, LJG, LSK, LVL, NJ, NJC1, NJG, NMB, NTB, NTU, NW, QAB2, QH, QHP1, QJF, QJF1, QTP, QVL, QX, QXF1, RH, RJE, RX, SD, SH, SJ, SJG, SMG1, SMG2, SM11, SM21, SX, TX, VEE1, VEN, VEN1, VES, VES1, VMG1, VMT, VSW, VSW1, VX, VXK, VXU |
| | | | - | (1) | - | (1) | | |
| | 13104-ZL0-801 | | (1) | - | - | - | | QM |
| | | | - | - | (1) | - | | |
| | 13101-ZL0-020 | PISTON (STD.) | 1 | - | - | - | 2203881 | BL, HX, LAC, LH, LHB2, LHP1, LJ, LJC1, LJG, LSK, LVL, NJ, NJC1, NJG, NMB, NTB, NTU, NW, QAB2, QH, QHP1, QJF, QJF1, QTP, QVL, QX, QXF1, RH, RJE, RX, SD, SH, SJ, SJG, SMG1, SMG2, SM11, SM21, SX, TX, VEE1, VEN, VEN1, VES, VES1, VMG1, VMT, VSW, VSW1, VX, VXK, VXU |





2

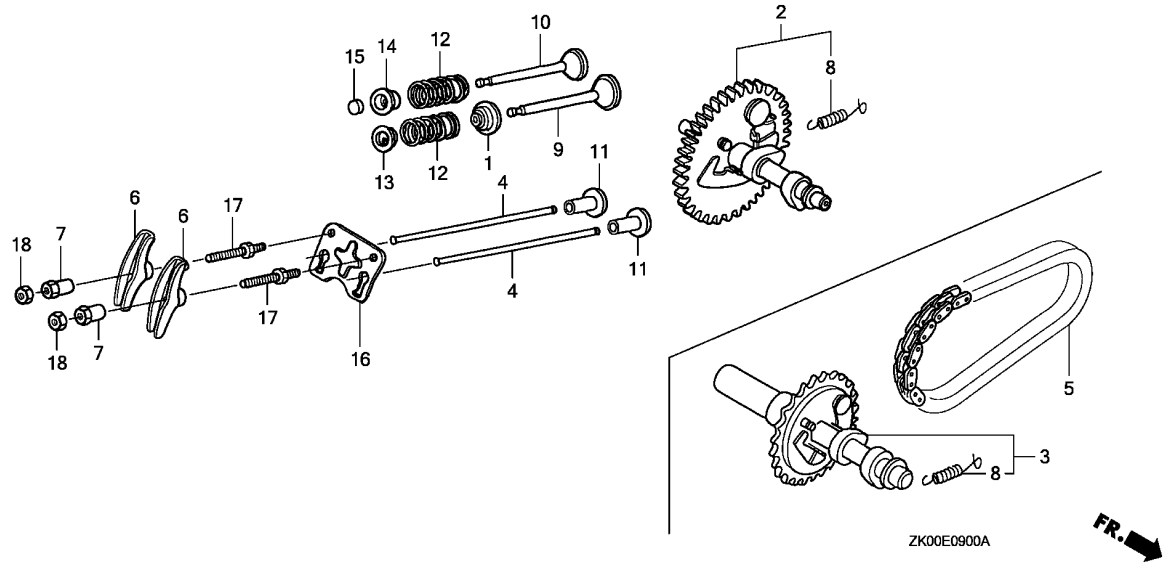
| Ref. No. | Part No. | Description | Reqd. QTY | | | | Serial No. | Parts catalogue code |
|----------|---------------|--|-----------|-----|-----|-----|------------|---|
| | | | (1) | (2) | (3) | (4) | | |
| (2) | 13102-ZL0-020 | PISTON (0.25) | (1) | - | - | - | 2203881 | BL,HX,LAC,LH,LHB2,LHP1,LJ,LJC1,LJG,LSK,LVL,NJ,NJC1,NJG,NMB,NTB NTU,NW,QAB2,QH,QHP1,QJF,QJF1,QTP,QVL,QX,QXF1,RH,RJE,RX,SD,SH SJ,SJG,SMG1,SMG2,SM11,SM21,SX,TX,VEE1,VEN,VEN1,VES,VES1,VMG1 VMT,VSW,VSW1,VX,VXK,VXU |
| | 13103-ZL0-020 | PISTON (0.50) | (1) | - | - | - | 2203881 | BL,HX,LAC,LH,LHB2,LHP1,LJ,LJC1,LJG,LSK,LVL,NJ,NJC1,NJG,NMB,NTB NTU,NW,QAB2,QH,QHP1,QJF,QJF1,QTP,QVL,QX,QXF1,RH,RJE,RX,SD,SH SJ,SJG,SMG1,SMG2,SM11,SM21,SX,TX,VEE1,VEN,VEN1,VES,VES1,VMG1 VMT,VSW,VSW1,VX,VXK,VXU |
| | 13104-ZL0-020 | PISTON (0.75) | (1) | - | - | - | 2203881 | BL,HX,LAC,LH,LHB2,LHP1,LJ,LJC1,LJG,LSK,LVL,NJ,NJC1,NJG,NMB,NTB NTU,NW,QAB2,QH,QHP1,QJF,QJF1,QTP,QVL,QX,QXF1,RH,RJE,RX,SD,SH SJ,SJG,SMG1,SMG2,SM11,SM21,SX,TX,VEE1,VEN,VEN1,VES,VES1,VMG1 VMT,VSW,VSW1,VX,VXK,VXU |
| 3 | 13111-ZE1-000 | PIN, PISTON | 1 | 1 | 1 | 1 | | |
| 4 | 13200-ZE1-010 | ROD ASSY., CONNECTING (STD.) | 1 | 1 | 1 | 1 | | |
| | 132A0-ZE1-000 | ROD ASSY., CONNECTING (0.25 UNDER SIZE) | - | - | (1) | - | | |
| 5 | 90001-ZE1-000 | BOLT, CONNECTING ROD | 2 | 2 | 2 | 2 | | |
| 6 | 90551-ZE1-000 | CLIP, PISTON PIN, 18MM | 2 | 2 | 2 | 2 | | |



| Ref. No. | L.O.N. | (Relative ref. Number) Description | F.R.T. |
|----------|---------|---|--------|
| 1 | 1111K2 | SEAL, INTAKE VALVE STEMINCLUDES: Valve clearance adjustment | 0.6 |
| 2 | 1111C2 | CAMSHAFT | 0.4 |
| 3 | 1111Y3 | CAMSHAFT/SHAFT, POWER TAKE OFFINCLUDES: Valve clearance adjustment | 1.1 |
| 4 | 1111L6 | ROD, PUSH :INTAKE | 0.2 |
| | 1111L6A | .Replace exhaust push rod add | 0.1 |
| | 1111L7 | ROD, PUSH :EXHAUST | 0.2 |
| | 1111L7A | .Replace intake push rod add | 0.1 |
| 5 | 2141W5 | CHAIN, POWER TAKE OFF DRIVE (N-TYPE) | 1.1 |
| 6 | 1111A2 | ARM, ROCKER :INTAKE | 0.2 |

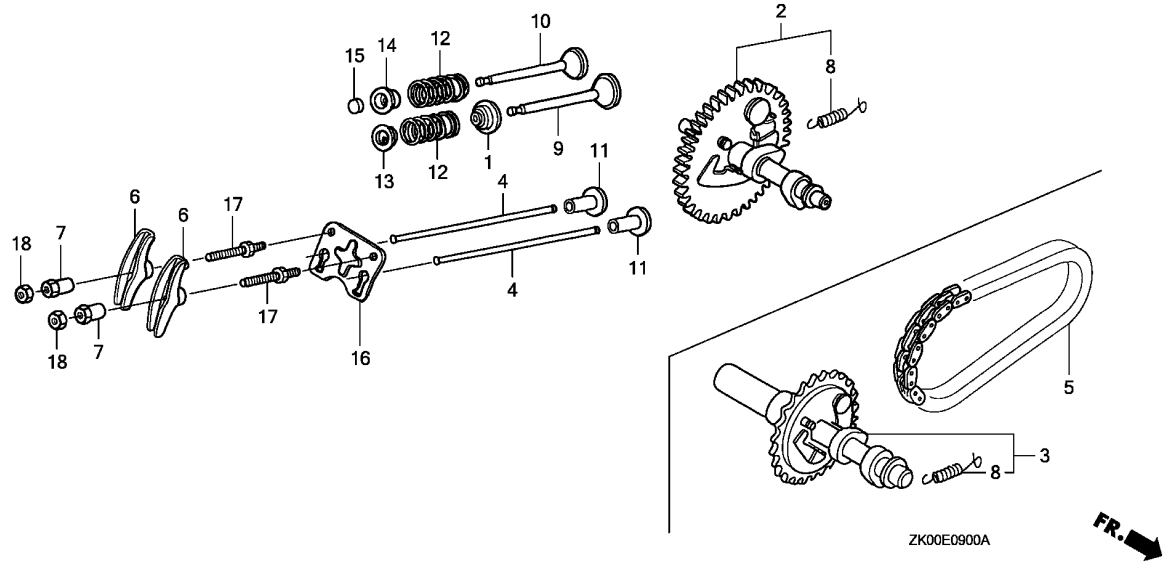
| Ref. No. | Part No. | Description | Reqd. QTY | | | | Serial No. | Parts catalogue code |
|----------|---------------|---|-----------|-----|-----|-----|--|----------------------|
| | | | (1) | (2) | (3) | (4) | | |
| 1 | 12209-ZH8-003 | SEAL, VALVE STEM | 1 | 1 | 1 | 1 | | |
| 2 | 14100-ZL0-000 | CAMSHAFT ASSY. | 1 | - | - | - | BL, HX, HXU, HX2, HX26, LAC, LH, LHB2, LHP1, LHQ4, LJ, LJC1, LJG, LSK, LVL, LX2, LX4, PX, PXU, QAB2, QD, QG2, QH, QHP1, QHQ4, QH26, QH4, QJF, QJF1, QTP, QTP2, QVL, QX, QXB2, QXC9, QXE2, QXE4, QXE6, QXE8, QXF1, QXS2, QXU, QX2, QX26, QX4, RH, RHA2, RHQ4, RH2, RH26, RJE, RMG2, RX, RXU, RX2, RX4, SD, SDB2, SH, SHQ4, SJ, SJG, SMC4, SMG1, SMG2, SM11, SM12, SM14, SM21, SM22, SM24, SX, SXE4, SXU, SX4, TX, TXU, TXU1, TX2, VEE1, VEN, VEN1, VEN2, VEN4, VES, VES1, VGG2, VMG1, VMT, VPM4, VSD, VSD1, VSD2, VSW, VSW1, VX, VXK, VXU, VXU1, VX2, VX4 | |
| | 14100-ZL0-801 | CAMSHAFT ASSY. (DUTY START) .. | 1 | - | - | 1 | QM, QXH4, SWG4 | |
| | 14100-ZL0-870 | CAMSHAFT ASSY. | 1 | - | - | - | QX7, SX7, VSD7, VS17 | |
| 3 | 14100-ZL0-690 | CAMSHAFT ASSY. | 1 | - | - | - | NDJ, NJ, NJC1, NJG, NMB, NTB, NTU, NW, NX | |
| 4 | 14410-ZE1-010 | ROD, PUSH | 2 | 2 | 2 | 2 | | |
| 5 | 14411-ZH7-V91 | CHAIN, P.T.O. DRIVE (DID270FH DHA-36LE) | 1 | - | - | - | NDJ, NJ, NJC1, NJG, NMB, NTB, NTU, NW, NX | |
| 6 | 14431-ZE1-000 | ARM, VALVE ROCKER | 2 | 2 | 2 | 2 | | |
| 7 | 14451-ZE1-013 | PIVOT, ROCKER ARM | 2 | 2 | 2 | 2 | | |
| 8 | 14568-ZE1-000 | SPRING, WEIGHT RETURN | 1 | 1 | 1 | 1 | | |
| 9 | 14711-ZF1-000 | VALVE, IN. | 1 | 1 | 1 | 1 | | |



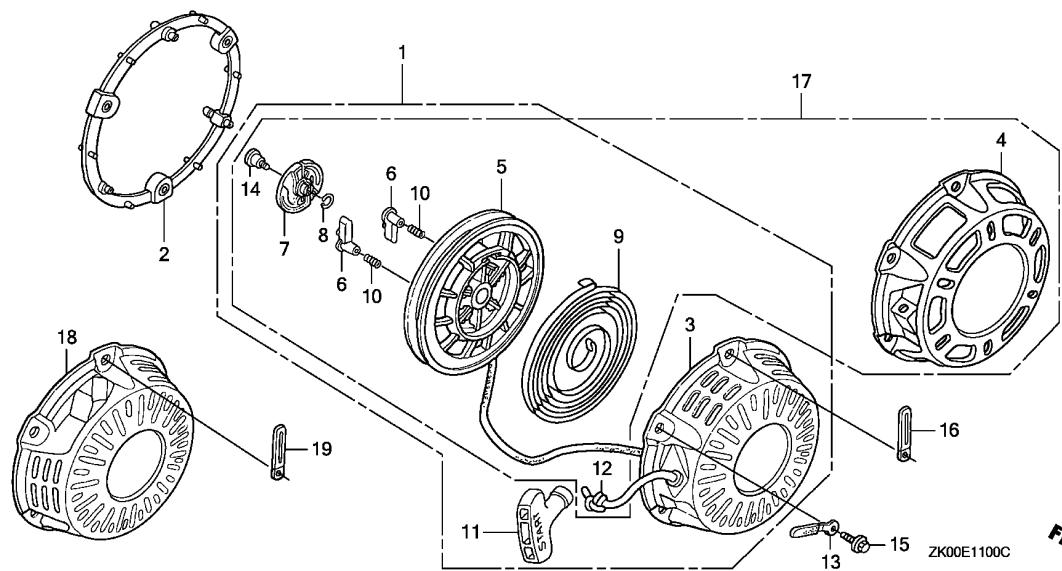


| Ref. No. | L.O.N. | (Relative ref. Number) Description | F.R.T. |
|----------|---------|--|--------|
| + 6 | 1111A2A | .Replace exhaust rocker arm add | 0.1 |
| | 1111A1 | ARM, ROCKER :EXHAUST | 0.2 |
| | | .INCLUDES: Valve clearance adjustment | |
| | 1111A1A | .Replace intake rocker arm add | 0.1 |
| 9 | 1111L1 | VALVE, INTAKE | 0.7 |
| | | .INCLUDES: Valve clearance adjustment and reface | |
| | 1111L1E | .Replace intake and exhaust all add | 0.2 |
| 10 | 1111L0 | VALVE, EXHAUST | 0.7 |
| | | .INCLUDES: Valve clearance adjustment and reface | |
| | 1111L0E | .Replace intake and exhaust all add | 0.2 |
| 11 | 1111L9 | LIFTER, VALVE :INTAKE | 0.4 |
| | | .INCLUDES: Valve clearance adjustment | |
| | 1111M0 | LIFTER, VALVE :EXHAUST | 0.4 |
| | | .INCLUDES: Valve clearance adjustment | |
| | | .NOTE: Same time for two units | |
| +12 | 1111P3 | SPRING, VALVE :INTAKE | 0.6 |

| Ref. No. | Part No. | Description | Reqd. QTY | | | | Serial No. | Parts catalogue code |
|----------|---------------|-------------------------------|-----------|-----|-----|-----|---|----------------------|
| | | | (1) | (2) | (3) | (4) | | |
| 10 | 14721-ZF1-000 | VALVE, EX. | 1 | - | - | 1 | HX,HXU,HX2,HX26,LH,LHP1,LHQ4,LJ,LJC1,LJG,LSK,LX2,LX4,NDJ,NJ,NJC1,NJG,NMB,NTB,NTU,NW,NX,QD,QDBR,QG2,QH,QHP1,QHQ4,QH26,QH4,QJF,QJF1,QM,QTP,QTP2,QX,QXBR,QXB2,QXC9,QXE2,QXE4,QXE6,QXF1,QXH4,QXS2,QXU,QX2,QX26,QX4,QX7,RH,RHA2,RHQ4,RH2,RH26,RJE,RMG2,RX,RXU,RX2,RX4,SD,SDB2,SH,SHQ4,SJ,SJG,SMC4,SMG1,SMG2,SM11,SM12,SM14,SM21,SM22,SM24,SWG4,SX,SXE4,SXU,SX4,SX7,VEE1,VEN,VEN1,VEN2,VEN4,VES,VES1,VGG2,VMG1,VMT,VPM4,VSD,VSD1,VSD2,VSD7,VSW,VSW1,VS17,VX,VXBR,VXK,VXU,VXU1,VX2,VX4 | |
| | 14721-ZH8-810 | VALVE, EX. (STELLITE) | 1 | - | - | 1 | PX,PXU,QXE8,TX,TXBR,TXU,TXU1,TX2 | |
| | 14721-ZK8-W80 | VALVE, EX. | 1 | - | - | - | BL,LAC,LHB2,LVL,QAB2,QVL | |
| | 14721-ZE7-000 | | - | 1 | - | - | | |
| 11 | 14731-ZL0-000 | LIFTER, VALVE | 2 | 2 | 2 | 2 | | |
| 12 | 14751-ZF1-000 | SPRING, VALVE | 2 | 2 | 2 | 2 | | |
| 13 | 14771-ZE1-000 | RETAINER, IN. VALVE SPRING .. | 1 | 1 | 1 | 1 | | |
| 14 | 14773-ZE1-000 | RETAINER, EX. VALVE SPRING .. | 1 | - | 1 | 1 | | |
| | 14771-ZE1-000 | RETAINER, IN. VALVE SPRING .. | - | 1 | - | - | | |
| 15 | 14781-ZE1-000 | ROTATOR, VALVE | 1 | - | 1 | 1 | | |
| 16 | 14791-ZE1-010 | PLATE, PUSH ROD GUIDE | 1 | 1 | 1 | 1 | | |
| 17 | 90012-ZE0-010 | BOLT, PIVOT, 8MM | 2 | 2 | 2 | 2 | | |
| 18 | 90206-ZE1-000 | NUT, PIVOT ADJUSTING | 2 | 2 | 2 | 2 | | |



| Ref. No. | L.O.N. | (Relative ref. Number) Description | F.R.T. |
|-----------|--------|---|--------|
| +12 | | .INCLUDES: Valve clearance adjustment | |
| 1111P3A | | .Replace intake and exhaust all add | 0.1 |
| 1111P4 | | SPRING, VALVE :EXHAUST | 0.6 |
| | | .INCLUDES: Valve clearance adjustment | |
| 1111P4A | | .Replace intake and exhaust all add | 0.1 |
| 15 1111J7 | | ROTATOR, VALVE | 0.2 |
| | | .INCLUDES: Valve clearance adjustment | |



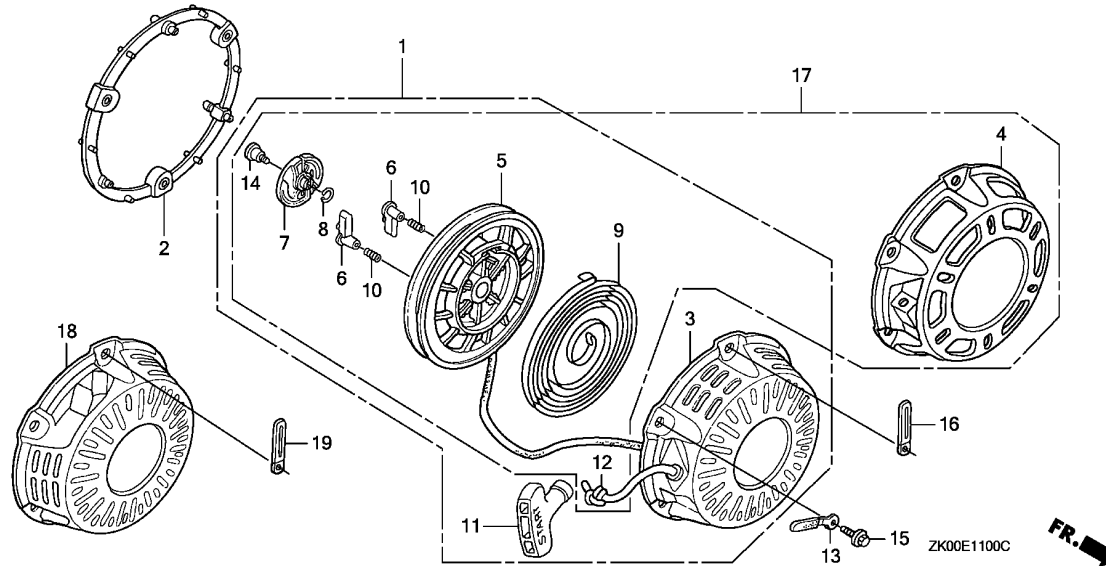
| Ref. No. | L.O.N. | (Relative ref. Number) Description | F.R.T. |
|----------|--------|---|--------|
| 1 | | (17) | |
| 1 | 1121B9 | STARTER, RECOIL | 0.1 |
| 2 | 1121B5 | SPACER, RECOIL STARTER MOUNTING | 0.1 |
| 5 | 1121B1 | REEL, RECOIL STARTER | 0.3 |
| 6 | | (10) | |
| | 1121B0 | RATCHET, STARTER AND/OR SPRING, RATCHET | 0.2 |
| | | .NOTE: Same time for two units | |
| 7 | 1121A4 | GUIDE, RATCHET | 0.2 |
| 9 | 1121B7 | SPRING, RECOIL STARTER RETURN | 0.3 |
| 12 | 1121B3 | ROPE, RECOIL STARTER | 0.3 |



| Ref. No. | Part No. | Description | Reqd. QTY | | | | Serial No. | Parts catalogue code |
|----------|-----------------|--|-----------|-----|-----|-----|------------|--|
| | | | (1) | (2) | (3) | (4) | | |
| 1 | 28400-ZH8-013ZB | STARTER ASSY., RECOIL *NH1*.....BLACK | 1 | - | - | - | 1937022 | HXU,HX26,LH,LHP1,LJG,NMB,NTB,PX,QH,QHP1,QH26,QM,QX,QXE6,QX2,QX26,QX4,RH,RHA2,RH26,RMG2,RXU,SMC4,SM12,SM14,SM22,SX,SX4,TX,VEE1,VEN,VEN1,VEN4,VES,VES1,VGG2,VMG1,VSD,VSD1,VSD7,VX,VXU1,VX4 |
| | | | - | 1 | - | - | 1936894 | |
| | 28400-ZH8-013ZX | *T38*.....MAT GREEN | 1 | - | - | - | 1937022 | VSD |
| | 28400-ZH8-013ZY | *T83*.....GEKO BLUE 2 | 1 | - | - | - | 1937022 | VSD |
| | 28400-ZH8-013YA | *R280*.....POWER RED | 1 | - | - | - | 1937022 | BL,HX,HXU,HX2,HX26,LH,LHB2,LHP1,LHQ4,LJ,LJC1,LJG,LX2,LX4,NDJ,NJ,NJG,NMB,NTB,NW,NX,PX,PXU,QAB2,QD,QG2,QH,QHP1,QHQ4,QH26,QH4,QJF,QM,QTP,QTP2,QX,QXB2,QXC9,QXE2,QXE4,QXE6,QXE8,QXH4,QXS2,QXU,QX2,QX26,QX4,QX7,RH,RHA2,RHQ4,RH2,RH26,RMG2,RX,RXU,RX2,RX4,SD,SDB2,SH,SHQ4,SJ,SJG,SMC4,SMG1,SM11,SM12,SM14,SM21,SM22,SM24,SX,SXE4,SXU,SX4,SX7,TX,TXU,TXU1,TX2,VEE1,VEN4,VGG2,VMG1,VMT,VPM4,VSD,VSD1,VSD2,VSD7,VS17,VX,VXU,VXU1,VX2,VX4 |
| | | | - | 1 | - | - | 1936894 | |
| | 28400-ZH8-013ZA | *R8*.....BRIGHT RED | - | - | 1 | 1 | | LVSH,QVSH |
| 2 | 28405-ZL0-000ZA | SPACER, RECOIL STARTER MOUNTING *NH1*.....BLACK | 1 | - | - | - | 1937022 | HXU,HX26,LH,LHP1,LJG,NMB,NTB,PX,QH,QHP1,QH26,QJF1,QM,QX,QXE6,QXF1,QX2,QX26,QX4,RH,RHA2,RH26,RMG2,RXU,SMC4,SM12,SM14,SM22,SX,SX4,TX,VEE1,VEN,VEN1,VEN4,VES,VES1,VGG2,VMG1,VSD,VSD1,VSD7,VX,VXU1,VX4 |
| | | | - | 1 | - | - | 1936894 | |

| Ref. No. | Part No. | Description | Reqd. QTY | | | | Serial No. | Parts catalogue code |
|----------|-----------------|---|-----------|-----|-----|-----|------------|---|
| | | | (1) | (2) | (3) | (4) | | |
| (2) | 28405-ZL0-000ZD | SPACER, RECOIL STARTER MOUNTING *R280*.....POWER RED | 1 | - | - | - | ----- | RJE, SWG4 |
| | | | 1 | - | - | - | ----- | 1937022 HX, HXU, HX2, HX26, LH, LHB2, LHP1, LHQ4, LJ, LJC1, LJG, LX2, LX4, NDJ, NJ, NJC1, NJG, NMB, NTB, NW, NX, PX, PXU, QAB2, QD, QG2, QH, QHP1, QHQ4, QH26, QH4, QJF, QM, QTP, QTP2, QX, QXB2, QXC9, QXE2, QXE4, QXE6, QXE8, QXH4, QXS2, QXU, QX2, QX26, QX4, QX7, RH, RHA2, RHQ4, RH2, RH26, RMG2, RX, RXU, RX2, RX4, SD, SDB2, SH, SHQ4, SJ, SJG, SMC4, SMG1, SM11, SM12, SM14, SM21, SM22, SM24, SX, SXE4, SXU, SX4, SX7, TX, TXU, TXU1, TX2, VEE1, VEN4, VGG2, VMG1, VMT, VPM4, VSD, VSD1, VSD2, VSD7, VS17, VX, VXU, VXU1, VX2, VX4 |
| | | | - | 1 | - | - | ----- | 1936894 |
| | | | - | - | 1 | 1 | | |
| 3 | 28410-ZH8-003YA | CASE COMP., RECOIL STARTER *R280*.....POWER RED | 1 | - | - | - | ----- | 1937022 BL, HX, HXU, HX2, HX26, LH, LHB2, LHP1, LHQ4, LJ, LJC1, LJG, LX2, LX4, NDJ, NJ, NJG, NMB, NTB, NW, NX, PX, PXU, QAB2, QD, QG2, QH, QHP1, QHQ4, QH26, QH4, QJF, QM, QTP, QTP2, QX, QXB2, QXC9, QXE2, QXE4, QXE6, QXE8, QXH4, QXS2, QXU, QX2, QX26, QX4, QX7, RH, RHA2, RHQ4, RH2, RH26, RMG2, RX, RXU, RX2, RX4, SD, SDB2, SH, SHQ4, SJ, SJG, SMC4, SMG1, SM11, SM12, SM14, SM21, SM22, SM24, SX, SXE4, SXU, SX4, SX7, TX, TXU, TXU1, TX2, VEE1, VEN4, VGG2, VMG1, VMT, VPM4, VSD, VSD1, VSD2, VSD7, VS17, VX, VXU, VXU1, VX2, VX4 |
| | | | - | 1 | - | - | ----- | 1936894 |
| | | | - | - | 1 | 1 | | |
| | 28410-ZH8-003ZB | *NH1*.....BLACK | 1 | - | - | - | ----- | 1937022 HXU, HX26, LH, LHP1, LJG, NMB, NTB, PX, QH, QHP1, QH26, QM, QX, QXE6, QX2, QX26, QX4, RH, RHA2, RH26, RMG2, RXU, SMC4, SM12, SM14, SM22, SX, SX4, TX, VEE1, VEN, VEN1, VEN4, VES, VES1, VGG2, VMG1, VSD, VSD1, VSD7, VX, VXU1, VX4 |
| | | | - | 1 | - | - | ----- | 1936894 |
| | 28410-ZH8-003ZX | *T38*.....MAT GREEN | 1 | - | - | - | ----- | 1937022 VSD, VX4 |
| | 28410-ZH8-003ZY | *T83*.....GEKO BLUE 2 | 1 | - | - | - | ----- | 1937022 VSD, VX4 |
| 4 | 28410-ZH8-D51 | CASE COMP., RECOIL STARTER .. | 1 | - | - | - | ----- | 1937022 NJC1, QJF1, QXF1 |
| | 28414-ZK8-V71 | CASE B, STARTER | 1 | - | - | - | ----- | SWG4 |
| 5 | 28420-ZH8-013 | REEL, RECOIL STARTER (NATURAL) | 1 | - | - | - | ----- | 1937022 BL, HX, HXU, HX2, HX26, LH, LHB2, LHP1, LHQ4, LJ, LJC1, LJG, LX2, LX4, NDJ, NJ, NJC1, NJG, NMB, NTB, NW, NX, PX, PXU, QAB2, QD, QG2, QH, QHP1, QHQ4, QH26, QH4, QJF, QJF1, QM, QTP, QTP2, QX, QXB2, QXC9, QXE2, QXE4, QXE6, QXE8, QXF1, QXH4, QXS2, QXU, QX2, QX26, QX4, QX7, RH, RHA2, RHQ4, RH2, RH26, RMG2, RX, RXU, RX2, RX4, SD, SDB2, SH, SHQ4, SJ, SJG, SMC4, SMG1, SM11, SM12, SM14, SM21, SM22, SM24, SX, SXE4, SXU, SX4, SX7, TX, TXU, TXU1, TX2, VEE1, VEN, VEN1, VEN4, VES, VES1, VGG2, VMG1, VMT, VPM4, VSD, VSD1, VSD2, VSD7, VS17, VX, VXU, VXU1, VX2, VX4 |
| | | | - | 1 | - | - | ----- | 1936894 |
| | | | - | - | 1 | 1 | | |
| 6 | 28422-ZH8-013 | RATCHET, STARTER | 2 | - | - | - | ----- | 1937022 BL, HX, HXU, HX2, HX26, LH, LHB2, LHP1, LHQ4, LJ, LJC1, LJG, LX2, LX4, NDJ, NJ, NJC1, NJG, NMB, NTB, NW, NX, PX, PXU, QAB2, QD, QG2, QH, QHP1, QHQ4, QH26, QH4, QJF, QJF1, QM, QTP, QTP2, QX, QXB2, QXC9, QXE2, QXE4, QXE6, QXE8, QXF1, QXH4, QXS2, QXU, QX2, QX26, QX4, QX7, RH, RHA2, RHQ4, RH2, RH26, RMG2, RX, RXU, RX2, RX4, SD, SDB2, SH, SHQ4, SJ, SJG, SMC4, SMG1, SM11, SM12, SM14, SM21, SM22, SM24, SX, SXE4, SXU, SX4, SX7, TX, TXU, TXU1, TX2, VEE1, VEN, VEN1, VEN4, VES, VES1, VGG2, VMG1, VMT, VPM4, VSD, VSD1, VSD2, VSD7, VS17, VX, VXU, VXU1, VX2, VX4 |
| | | | - | 2 | - | - | ----- | 1936894 |
| | | | - | - | 2 | 2 | | |

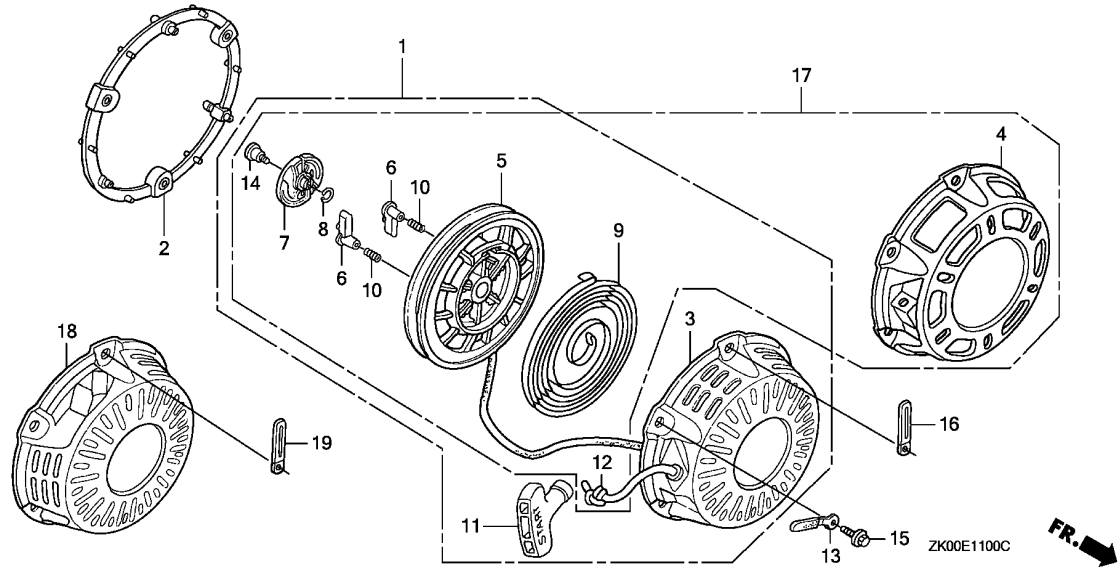




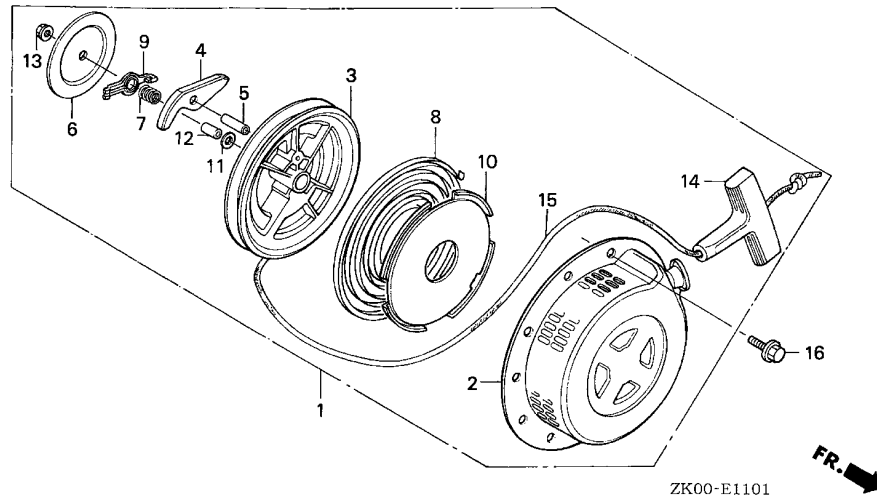
| Ref. No. | Part No. | Description | Reqd. QTY | | | | Serial No. | Parts catalogue code |
|----------|---------------|------------------------|-----------|--------------|-----|-----|------------|---|
| | | | (1) | GX200 (2) | (3) | (4) | | |
| 7 | 28433-ZH8-003 | GUIDE, RATCHET | 1 | - | - | - | 1937022 | BL, HX, HXU, HX2, HX26, LH, LHB2, LHP1, LHQ4, LJ, LJC1, LJG, LX2, LX4, NDJ, NJ, NJC1, NJG, NMB, NTB, NW, NX, PX, PXU, QAB2, QD, QG2, QH, QHP1, QHQ4, QH26, QH4, QJF, QJF1, QM, QTP, QTP2, QX, QXB2, QXC9, QXE2, QXE4, QXE6, QXE8, QXF1, QXH4, QXS2, QXU, QX2, QX26, QX4, QX7, RH, RHA2, RHQ4, RH2, RH26, RMG2, RX, RXU, RX2, RX4, SD, SDB2, SH, SHQ4, SJ, SJG, SMC4, SMG1, SM11, SM12, SM14, SM21, SM22, SM24, SX, SXE4, SXU, SX4, SX7, TX, TXU, TXU1, TX2, VEE1, VEN, VEN1, VEN4, VES, VES1, VGG2, VMG1, VMT, VPM4, VSD, VSD1, VSD2, VSD7, VS17, VX, VXU, VXU1, VX2, VX4 |
| | | | - | 1 | - | - | 1936894 | |
| 8 | 28441-ZH8-003 | SPRING, FRICTION | 1 | - | - | - | 1937022 | BL, HX, HXU, HX2, HX26, LH, LHB2, LHP1, LHQ4, LJ, LJC1, LJG, LX2, LX4, NDJ, NJ, NJC1, NJG, NMB, NTB, NW, NX, PX, PXU, QAB2, QD, QG2, QH, QHP1, QHQ4, QH26, QH4, QJF, QJF1, QM, QTP, QTP2, QX, QXB2, QXC9, QXE2, QXE4, QXE6, QXE8, QXF1, QXH4, QXS2, QXU, QX2, QX26, QX4, QX7, RH, RHA2, RHQ4, RH2, RH26, RMG2, RX, RXU, RX2, RX4, SD, SDB2, SH, SHQ4, SJ, SJG, SMC4, SMG1, SM11, SM12, SM14, SM21, SM22, SM24, SX, SXE4, SXU, SX4, SX7, TX, TXU, TXU1, TX2, VEE1, VEN, VEN1, VEN4, VES, VES1, VGG2, VMG1, VMT, VPM4, VSD, VSD1, VSD2, VSD7, VS17, VX, VXU, VXU1, VX2, VX4 |
| | | | - | 1 | - | - | 1936894 | |
| | | | - | - | 1 | 1 | | |

| Ref. No. | Part No. | Description | Reqd. QTY | | | | Serial No. | Parts catalogue code |
|----------|---------------|------------------------------|-----------|-----|-----|-----|------------|---|
| | | | (1) | (2) | (3) | (4) | | |
| 9 | 28442-ZH8-003 | SPRING, RECOIL STARTER | 1 | - | - | - | 1937022 | BL, HX, HXU, HX2, HX26, LH, LHB2, LHP1, LHQ4, LJ, LJC1, LJG, LX2, LX4, NDJ, NJ, NJC1, NJG, NMB, NTB, NW, NX, PX, PXU, QAB2, QD, QG2, QH, QHP1, QHQ4, QH26, QH4, QJF, QJF1, QM, QTP, QTP2, QX, QXB2, QXC9, QXE2, QXE4, QXE6, QXE8, QXF1, QXH4, QXS2, QXU, QX2, QX26, QX4, QX7, RH, RHA2, RHQ4, RH2, RH26, RMG2, RX, RXU, RX2, RX4, SD, SDB2, SH, SHQ4, SJ, SJG, SMC4, SMG1, SM11, SM12, SM14, SM21, SM22, SM24, SX, SXE4, SXU, SX4, SX7, TX, TXU, TXU1, TX2, VEE1, VEN, VEN1, VEN4, VES, VES1, VGG2, VMG1, VMT, VPM4, VSD, VSD1, VSD2, VSD7, VS17, VX, VXU, VXU1, VX2, VX4 |
| | | | - | 1 | - | - | 1936894 | |
| 10 | 28443-ZH8-003 | SPRING, RETURN | 2 | - | - | - | 1937022 | BL, HX, HXU, HX2, HX26, LH, LHB2, LHP1, LHQ4, LJ, LJC1, LJG, LX2, LX4, NDJ, NJ, NJC1, NJG, NMB, NTB, NW, NX, PX, PXU, QAB2, QD, QG2, QH, QHP1, QHQ4, QH26, QH4, QJF, QJF1, QM, QTP, QTP2, QX, QXB2, QXC9, QXE2, QXE4, QXE6, QXE8, QXF1, QXH4, QXS2, QXU, QX2, QX26, QX4, QX7, RH, RHA2, RHQ4, RH2, RH26, RMG2, RX, RXU, RX2, RX4, SD, SDB2, SH, SHQ4, SJ, SJG, SMC4, SMG1, SM11, SM12, SM14, SM21, SM22, SM24, SX, SXE4, SXU, SX4, SX7, TX, TXU, TXU1, TX2, VEE1, VEN, VEN1, VEN4, VES, VES1, VGG2, VMG1, VMT, VPM4, VSD, VSD1, VSD2, VSD7, VS17, VX, VXU, VXU1, VX2, VX4 |
| | | | - | 2 | - | - | 1936894 | |
| 11 | 28461-ZH8-003 | GRIP, STARTER | 1 | - | - | - | 1937022 | BL, HX, HXU, HX2, HX26, LH, LHB2, LHP1, LHQ4, LJ, LJC1, LJG, LX2, LX4, NDJ, NJ, NJC1, NJG, NMB, NTB, NW, NX, PX, PXU, QAB2, QD, QG2, QH, QHP1, QHQ4, QH26, QH4, QJF, QJF1, QM, QTP, QTP2, QX, QXB2, QXC9, QXE2, QXE4, QXE6, QXE8, QXF1, QXH4, QXS2, QXU, QX2, QX26, QX4, QX7, RH, RHA2, RHQ4, RH2, RH26, RMG2, RX, RXU, RX2, RX4, SD, SDB2, SH, SHQ4, SJ, SJG, SMC4, SMG1, SM11, SM12, SM14, SM21, SM22, SM24, SX, SXE4, SXU, SX4, SX7, TX, TXU, TXU1, TX2, VEE1, VEN, VEN1, VEN4, VES, VES1, VGG2, VMG1, VMT, VPM4, VSD, VSD1, VSD2, VSD7, VS17, VX, VXU, VXU1, VX2, VX4 |
| | | | - | 1 | - | - | 1936894 | |
| 12 | 28462-ZH8-003 | ROPE, RECOIL STARTER | 1 | - | - | - | 1937022 | BL, HX, HXU, HX2, HX26, LH, LHB2, LHP1, LHQ4, LJ, LJC1, LJG, LX2, LX4, NDJ, NJ, NJC1, NJG, NMB, NTB, NW, NX, PX, PXU, QAB2, QD, QG2, QH, QHP1, QHQ4, QH26, QH4, QJF, QJF1, QM, QTP, QTP2, QX, QXB2, QXC9, QXE2, QXE4, QXE6, QXE8, QXF1, QXH4, QXS2, QXU, QX2, QX26, QX4, QX7, RH, RHA2, RHQ4, RH2, RH26, RMG2, RX, RXU, RX2, RX4, SD, SDB2, SH, SHQ4, SJ, SJG, SMC4, SMG1, SM11, SM12, SM14, SM21, SM22, SM24, SX, SXE4, SXU, SX4, SX7, TX, TXU, TXU1, TX2, VEE1, VEN, VEN1, VEN4, VES, VES1, VGG2, VMG1, VMT, VPM4, VSD, VSD1, VSD2, VSD7, VS17, VX, VXU, VXU1, VX2, VX4 |
| | | | - | 1 | - | - | 1936894 | |
| 13 | 32901-MA1-000 | CLIP, SUB CORD | 1 | - | - | - | 1937022 | SM11, SM12, SM14 |
| 14 | 90003-ZH8-003 | SCREW, SETTING | 1 | - | - | - | 1937022 | BL, HX, HXU, HX2, HX26, LH, LHB2, LHP1, LHQ4, LJ, LJC1, LJG, LX2, LX4, NDJ, NJ, NJC1, NJG, NMB, NTB, NW, NX, PX, PXU, QAB2, QD, QG2, QH, QHP1, QHQ4, QH26, QH4, QJF, QJF1, QM, QTP, QTP2, QX, QXB2, QXC9, QXE2, QXE4, QXE6, QXE8, QXF1, QXH4, QXS2, QXU, QX2, QX26, QX4, QX7, RH, RHA2, RHQ4, RH2, RH26, RMG2, RX, RXU, RX2, RX4, SD, SDB2, SH, SHQ4, SJ, SJG, SMC4, SMG1, SM11, SM12, SM14, SM21, SM22, SM24, SX, SXE4, SXU, SX4, SX7, TX, TXU, TXU1, TX2, VEE1, VEN, VEN1, VEN4, VES, VES1, VGG2, VMG1, VMT, VPM4, VSD, VSD1, VSD2, VSD7, VS17, VX, VXU, VXU1, VX2, VX4 |
| | | | - | 1 | - | - | 1936894 | |
| 15 | 90008-ZE2-003 | BOLT, FLANGE, 6X10 | 3 | - | - | - | 1937022 | BL |





| Ref. No. | Part No. | Description | Reqd. QTY | | | | Serial No. | Parts catalogue code |
|----------|-----------------|-----------------------|-----------|-----------|-----|-----|------------|---|
| | | | (1) | GX200 (2) | (3) | (4) | | |
| 15) | 95701-06018-00 | BOLT, FLANGE, 6X18 | 3 | - | - | - | - | RJE, SWG4 |
| | | | 3 | - | - | - | 1937022 | HX, HXU, HX2, HX26, LH, LHB2, LHP1, LHQ4, LJ, LJC1, LJG, LX2, LX4, NDJ, NJ, NJC1, NJG, NMB, NTB, NW, NX, PX, PXU, QAB2, QD, QG2, QH, QHP1, QHQ4, QH26, QH4, QJF, QJF1, QM, QTP, QTP2, QX, QXB2, QXC9, QXE2, QXE4, QXE6, QXE8, QXF1, QXH4, QXS2, QXU, QX2, QX26, QX4, QX7, RH, RHA2, RHQ4, RH2, RH26, RMG2, RX, RXU, RX2, RX4, SD, SDB2, SH, SHQ4, SJ, SJG, SMC4, SMG1, SM11, SM12, SM14, SM21, SM22, SM24, SX, SXE4, SXU, SX4, SX7, TX, TXU, TXU1, TX2, VEE1, VEN, VEN1, VEN4, VES, VES1, VGG2, VMG1, VMT, VPM4, VSD, VSD1, VSD2, VSD7, VS17, VX, VXU, VXU1, VX2, VX4 |
| | | | - | 3 | - | - | 1936894 | |
| | | | - | - | 3 | 3 | | |
| 16 | 91406-671-000 | CLIP, WIRE HARNESS | 1 | - | - | - | 1937022 | SMG1 |
| | 91406-166-000 | CLIP, WIRE | 1 | - | - | - | 1961500 | SMG2 |
| 17 | 28400-ZH8-D52 | STARTER ASSY., RECOIL | 1 | - | - | - | 1937022 | NJC1, QJF1, QXF1 |
| 18 | 28414-ZH8-841ZC | CASE B, STARTER | 1 | - | - | - | | |
| | | *R280*.....POWER RED | 1 | - | - | - | | RJE |
| 19 | 91406-166-000 | CLIP, WIRE | 1 | - | - | - | | RJE |



| Ref. No. | L.O.N. | (Relative ref. Number) Description | F.R.T. |
|----------|--------|---|--------|
| 1 | 1121B9 | STARTER, RECOIL | 0.1 |
| 3 | 1121B1 | REEL, RECOIL STARTER | 0.3 |
| 4 | 1121B0 | RATCHET, STARTER AND/OR SPRING, RATCHET | 0.2 |
| 8 | 1121B7 | SPRING, RECOIL STARTER RETURN (7) | 0.3 |
| 9 | 1121A4 | GUIDE, RATCHET | 0.2 |
| 15 | 1121B3 | ROPE, RECOIL STARTER | 0.3 |

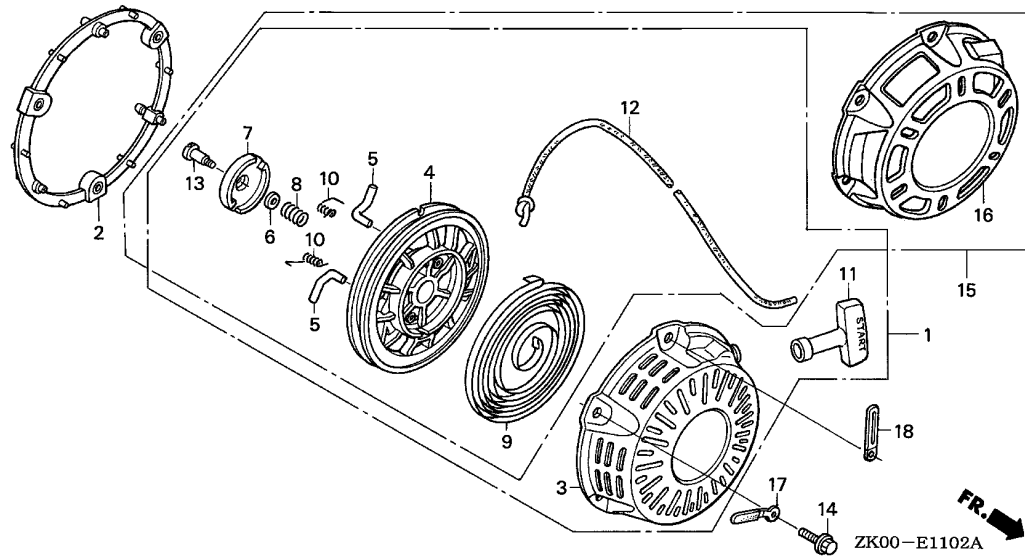
| Ref. No. | Part No. | Description | Reqd. QTY | | | | Serial No. | Parts catalogue code |
|----------|-----------------|--|-----------|-----|-----|-----|------------|----------------------|
| | | | (1) | (2) | (3) | (4) | | |
| 1 | 28400-ZE1-003ZF | STARTER ASSY., RECOIL *R280*.....POWER RED | 1 | - | - | - | ----- | LVL,QVL |
| 2 | 28410-ZE1-003ZF | CASE COMP., RECOIL STARTER *R280*.....POWER RED | 1 | - | - | - | ----- | LVL,QVL |
| 3 | 28420-ZE1-003 | PULLEY, RECOIL STARTER | 1 | - | - | - | ----- | LVL,QVL |
| 4 | 28422-ZE1-003 | RATCHET, STARTER | 1 | - | - | - | ----- | LVL,QVL |
| 5 | 28423-ZE1-003 | PIN, STARTER RATCHET | 1 | - | - | - | ----- | LVL,QVL |
| 6 | 28431-ZE1-003 | PLATE, FRICTION | 1 | - | - | - | ----- | LVL,QVL |
| 7 | 28441-ZE1-003 | SPRING, FRICTION | 1 | - | - | - | ----- | LVL,QVL |
| 8 | 28442-ZE1-003 | SPRING, RECOIL STARTER | 1 | - | - | - | ----- | LVL,QVL |
| 9 | 28443-ZE1-003 | GUIDE, RATCHET | 1 | - | - | - | ----- | LVL,QVL |
| 10 | 28445-ZE1-003 | CASE, RECOIL STARTER SPRING | 1 | - | - | - | ----- | LVL,QVL |
| 11 | 28446-ZE1-003 | WASHER, STARTER | 1 | - | - | - | ----- | LVL,QVL |
| 12 | 28447-ZE1-003 | SHAFT, SUB | 1 | - | - | - | ----- | LVL,QVL |
| 13 | 28448-ZE1-003 | NUT | 1 | - | - | - | ----- | LVL,QVL |
| 14 | 28461-ZE1-003 | KNOB, RECOIL STARTER | 1 | - | - | - | ----- | LVL,QVL |
| 15 | 28462-ZE1-003 | ROPE, RECOIL STARTER | 1 | - | - | - | ----- | LVL,QVL |
| 16 | 90008-ZE2-003 | BOLT, FLANGE, 6X10 | 3 | - | - | - | ----- | LVL,QVL |



E-11-2

RECOIL STARTER(3)

E10



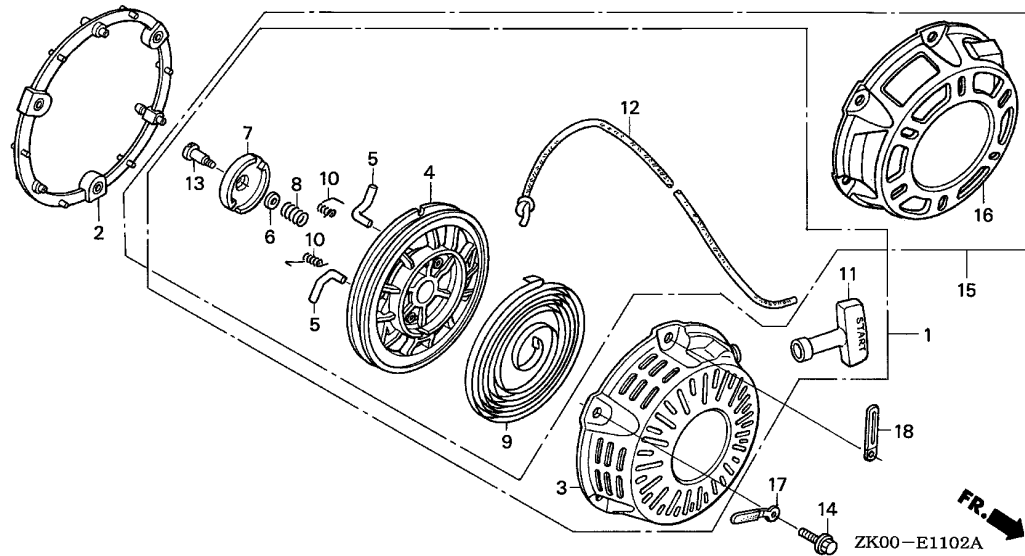
| Ref. No. | L.O.N. | (Relative ref. Number) Description | F.R.T. |
|----------|--------|---|--------|
| 1 | (15) | | |
| 1 | 1121B9 | STARTER, RECOIL | 0.1 |
| 2 | 1121B5 | SPACER, RECOIL STARTER MOUNTING | 0.1 |
| 4 | 1121B1 | REEL, RECOIL STARTER | 0.3 |
| 5 | (10) | | |
| | 1121B0 | RATCHET, STARTER AND/OR SPRING, RATCHET | 0.2 |
| 7 | (8) | | |
| | 1121A4 | GUIDE, RATCHET | 0.2 |
| 9 | 1121B7 | SPRING, RECOIL STARTER RETURN | 0.3 |
| 12 | 1121B3 | ROPE, RECOIL STARTER | 0.3 |

2

| Ref. No. | Part No. | Description | Reqd. QTY | | | | Serial No. | Parts catalogue code |
|----------|-----------------|-----------------------|-----------|-----------|-----|-----|------------|---|
| | | | (1) | GX200 (2) | (3) | (4) | | |
| 1 | 28400-ZH8-023YA | STARTER ASSY., RECOIL | 1 | - | - | - | | |
| | *R280* |POWER RED | 1 | - | - | - | 1937023 | LAC,LSK,VXK BL,HX,HXU,HX2,HX26,LH,LHB2,LHP1,LHQ4,LJ,LJC1,LJG,LX2,LX4,NDJ NJ,NJG,NMB,NTB,NW,NX,PX,PXU,QAB2,QD,QG2,QH,QHP1,QHQ4,QH26,QH4 QJF,QM,QTP,QTP2,QX,QXB2,QXC9,QXE2,QXE4,QXE6,QXE8,QXH4,QXS2,QXU QX2,QX26,QX4,QX7,RH,RHA2,RHQ4,RH2,RH26,RMG2,RX,RXU,RX2,RX4,SD SDB2,SH,SHQ4,SJ,SJG,SMC4,SMG1,SM11,SM12,SM14,SM21,SM22,SM24,SX SXE4,SXU,SX4,SX7,TX,TXU,TXU1,TX2,VEE1,VEN4,VGG2,VMG1,VMT,VPM4 VSD,VSD1,VSD2,VSD7,VS17,VX,VXU,VXU1,VX2,VX4 |
| | 28400-ZH8-023ZB | *NH1*.....BLACK | - | 1 | - | - | 1936895 | RHQ4,VEN2,VXK |
| | | | 1 | - | - | - | 1937023 | HXU,HX26,LH,LHP1,LJG,NMB,NTB,PX,QH,QHP1,QH26,QM,QX,QXE6,QX2 QX26,QX4,RH,RHA2,RH26,RMG2,RXU,SMC4,SM12,SM14,SM22,SX,SX4,TX VEE1,VEN,VEN1,VEN4,VES,VES1,VGG2,VMG1,VSD,VSD1,VSD7,VX,VXU1 VX4 |
| | 28400-ZH8-023ZX | *T38*.....MAT GREEN | - | 1 | - | - | 1936895 | VSD |
| | 28400-ZH8-023ZY | *T83*.....GEKO BLUE 2 | 1 | - | - | - | 1937023 | VSD |
| | | | 1 | - | - | - | 1937023 | VSD |

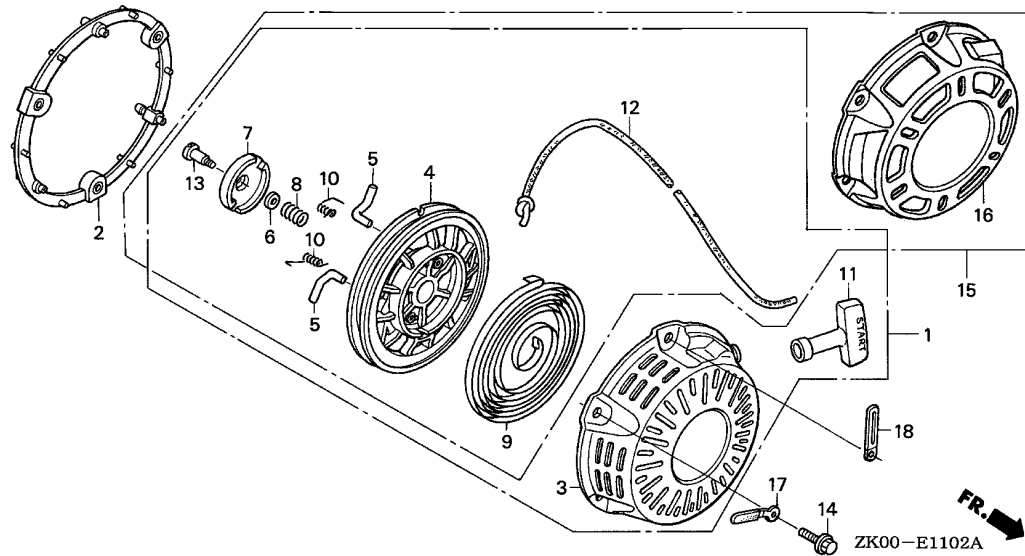
| Ref. No. | Part No. | Description | Reqd. QTY | | | | Serial No. | Parts catalogue code |
|----------|-----------------|---|-----------|-----|-----|-----|------------|---|
| | | | (1) | (2) | (3) | (4) | | |
| 2 | 28405-ZL0-000ZA | SPACER, RECOIL STARTER MOUNTING *NH1*.....BLACK | 1 | - | - | - | ----- | RHQ4, VEN2, VXK |
| | | | 1 | - | - | - | 1937023 | HX, HXU, HX2, HX26, LH, LHB2, LHP1, LHQ4, LJ, LJC1, LJG, LX2, LX4, NDJ, NJ, NJC1, NJG, NMB, NTB, NW, NX, PX, PXU, QAB2, QD, QG2, QH, QHP1, QHQ4, QH26, QH4, QJF, QJF1, QM, QTP, QTP2, QX, QXB2, QXC9, QXE2, QXE4, QXE6, QXE8, QXF1, QXH4, QXS2, QXU, QX2, QX26, QX4, QX7, RH, RHA2, RH2, RH26, RMG2, RX, RXU, RX2, RX4, SD, SDB2, SH, SHQ4, SJ, SJG, SMC4, SMG1, SM11, SM12, SM14, SM21, SM22, SM24, SX, SXE4, SXU, SX4, SX7, TX, TXU, TXU1, TX2, VEE1, VEN, VEN1, VEN4, VES, VES1, VGG2, VMG1, VMT, VPM4, VSD, VSD1, VSD2, VSD7, VS17, VX, VXU, VXU1, VX2, VX4 |
| | 28405-ZL0-000ZD | *R280*.....POWER RED | - | 1 | - | - | 1936895 | LAC, LSK, VXK |
| | | | 1 | - | - | - | 1937023 | HX, HXU, HX2, HX26, LH, LHB2, LHP1, LHQ4, LJ, LJC1, LJG, LX2, LX4, NDJ, NJ, NJC1, NJG, NMB, NTB, NW, NX, PX, PXU, QAB2, QD, QG2, QH, QHP1, QHQ4, QH26, QH4, QJF, QM, QTP, QTP2, QX, QXB2, QXC9, QXE2, QXE4, QXE6, QXE8, QXH4, QXS2, QXU, QX2, QX26, QX4, QX7, RH, RHA2, RHQ4, RH2, RH26, RMG2, RX, RXU, RX2, RX4, SD, SDB2, SH, SHQ4, SJ, SJG, SMC4, SMG1, SM11, SM12, SM14, SM21, SM22, SM24, SX, SXE4, SXU, SX4, SX7, TX, TXU, TXU1, TX2, VEE1, VEN4, VGG2, VMG1, VMT, VPM4, VSD, VSD1, VSD2, VSD7, VS17, VX, VXU, VXU1, VX2, VX4 |
| 3 | 28410-ZH8-003YA | CASE COMP., RECOIL STARTER *R280*.....POWER RED | - | 1 | - | - | 1936895 | LAC, LSK, VXK |
| | | | 1 | - | - | - | 1937023 | BL, HX, HXU, HX2, HX26, LH, LHB2, LHP1, LHQ4, LJ, LJC1, LJG, LX2, LX4, NDJ, NJ, NJG, NMB, NTB, NW, NX, PX, PXU, QAB2, QD, QG2, QH, QHP1, QHQ4, QH26, QH4, QJF, QM, QTP, QTP2, QX, QXB2, QXC9, QXE2, QXE4, QXE6, QXE8, QXH4, QXS2, QXU, QX2, QX26, QX4, QX7, RH, RHA2, RHQ4, RH2, RH26, RMG2, RX, RXU, RX2, RX4, SD, SDB2, SH, SHQ4, SJ, SJG, SMC4, SMG1, SM11, SM12, SM14, SM21, SM22, SM24, SX, SXE4, SXU, SX4, SX7, TX, TXU, TXU1, TX2, VEE1, VEN4, VGG2, VMG1, VMT, VPM4, VSD, VSD1, VSD2, VSD7, VS17, VX, VXU, VXU1, VX2, VX4 |
| | 28410-ZH8-003ZB | *NH1*.....BLACK | - | 1 | - | - | 1936895 | RHQ4, VEN2, VXK |
| | | | 1 | - | - | - | 1937023 | HXU, HX26, LH, LHP1, LJG, NMB, NTB, PX, QH, QHP1, QH26, QM, QX, QXE6, QX2, QX26, QX4, RH, RHA2, RH26, RMG2, RXU, SMC4, SM12, SM14, SM22, SX, SX4, TX, VEE1, VEN, VEN1, VEN4, VES, VES1, VGG2, VMG1, VSD, VSD1, VSD7, VX, VXU1, VX4 |
| | 28410-ZH8-003ZX | *T38*.....MAT GREEN | - | 1 | - | - | 1936895 | VSD |
| | 28410-ZH8-003ZY | *T83*.....GEKO BLUE 2 | 1 | - | - | - | 1937023 | VSD |
| 4 | 28421-ZH8-801 | REEL, RECOIL STARTER | 1 | - | - | - | ----- | LAC, LSK, VEN2, VXK |
| | | | 1 | - | - | - | 1937023 | BL, HX, HXU, HX2, HX26, LH, LHB2, LHP1, LHQ4, LJ, LJC1, LJG, LX2, LX4, NDJ, NJ, NJC1, NJG, NMB, NTB, NW, NX, PX, PXU, QAB2, QD, QG2, QH, QHP1, QHQ4, QH26, QH4, QJF, QJF1, QM, QTP, QTP2, QX, QXB2, QXC9, QXE2, QXE4, QXE6, QXE8, QXF1, QXH4, QXS2, QXU, QX2, QX26, QX4, QX7, RH, RHA2, RHQ4, RH2, RH26, RMG2, RX, RXU, RX2, RX4, SD, SDB2, SH, SHQ4, SJ, SJG, SMC4, SMG1, SM11, SM12, SM14, SM21, SM22, SM24, SX, SXE4, SXU, SX4, SX7, TX, TXU, TXU1, TX2, VEE1, VEN, VEN1, VEN4, VES, VES1, VGG2, VMG1, VMT, VPM4, VSD, VSD1, VSD2, VSD7, VS17, VX, VXU, VXU1, VX2, VX4 |
| | | | - | 1 | - | - | 1936895 | |



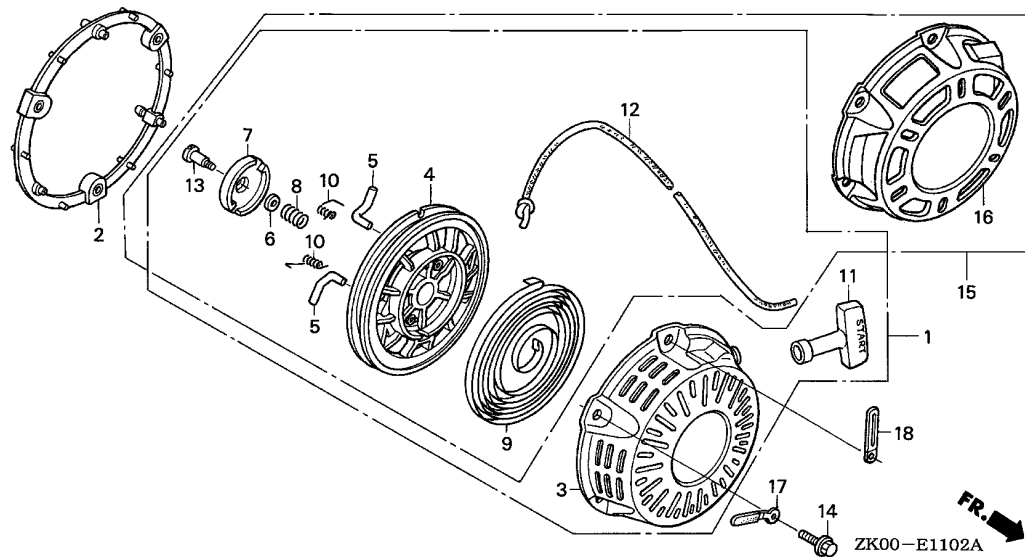


| Ref. No. | Part No. | Description | Reqd. QTY | | | | Serial No. | Parts catalogue code |
|----------|---------------|------------------------|-----------|-----|-----|-----|------------|---|
| | | | (1) | (2) | (3) | (4) | | |
| 5 | 28422-ZH8-801 | RATCHET, STARTER | 2 | - | - | - | - | LAC,LSK,VEN2,VXK |
| | | | 2 | - | - | - | 1937023 | BL,HX,HXU,HX2,HX26,LH,LHB2,LHP1,LHQ4,LJ,LJC1,LJG,LX2,LX4,NDJ,NJ,NJC1,NJG,NMB,NTB,NW,NX,PX,PXU,QAB2,QD,GG2,QH,QHP1,QHQ4,QH26,QH4,QJF,QJF1,QM,QTP,QTP2,QX,QXB2,QXC9,QXE2,QXE4,QXE6,QXE8,QXF1,QXH4,QXS2,QXU,QX2,QX26,QX4,QX7,RH,RHA2,RHQ4,RH2,RH26,RMG2,RX,RXU,RX2,RX4,SD,SDB2,SH,SHQ4,SJ,SJG,SMC4,SMG1,SM11,SM12,SM14,SM21,SM22,SM24,SX,SXE4,SXU,SX4,SX7,TX,TXU,TXU1,TX2,VEE1,VEN,VEN1,VEN4,VES,VES1,VGG2,VMG1,VMT,VPM4,VSD,VSD1,VSD2,VSD7,VS17,VX,VXU,VXU1,VX2,VX4 |
| | | | - | 2 | - | - | 1936895 | |
| 6 | 28431-ZH8-801 | PLATE, FRICTION | 1 | - | - | - | - | LAC,LSK,VEN2,VXK |
| | | | 1 | - | - | - | 1937023 | BL,HX,HXU,HX2,HX26,LH,LHB2,LHP1,LHQ4,LJ,LJC1,LJG,LX2,LX4,NDJ,NJ,NJC1,NJG,NMB,NTB,NW,NX,PX,PXU,QAB2,QD,GG2,QH,QHP1,QHQ4,QH26,QH4,QJF,QJF1,QM,QTP,QTP2,QX,QXB2,QXC9,QXE2,QXE4,QXE6,QXE8,QXF1,QXH4,QXS2,QXU,QX2,QX26,QX4,QX7,RH,RHA2,RHQ4,RH2,RH26,RMG2,RX,RXU,RX2,RX4,SD,SDB2,SH,SHQ4,SJ,SJG,SMC4,SMG1,SM11,SM12,SM14,SM21,SM22,SM24,SX,SXE4,SXU,SX4,SX7,TX,TXU,TXU1,TX2,VEE1,VEN,VEN1,VEN4,VES,VES1,VGG2,VMG1,VMT,VPM4,VSD,VSD1,VSD2,VSD7,VS17,VX,VXU,VXU1,VX2,VX4 |
| | | | - | 1 | - | - | 1936895 | |

| Ref. No. | Part No. | Description | Reqd. QTY | | | | Serial No. | Parts catalogue code |
|----------|---------------|------------------------------|-----------|-----|-----|-----|------------|--|
| | | | (1) | (2) | (3) | (4) | | |
| 7 | 28433-ZH8-801 | GUIDE, RATCHET | 1 | - | - | - | ----- | LAC,LSK,VEN2,VXK |
| | | | 1 | - | - | - | 1937023 | ----- |
| | | | | | | | | BL,HX,HXU,HX2,HX26,LH,LHB2,LHP1,LHQ4,LJ,LJC1,LJG,LX2,LX4,NDJ NJ,NJC1,NJG,NMB,NTB,NW,NX,PX,PXU,QAB2,QD,QG2,QH,QHP1,QHQ4,QH26 QH4,QJF,QJF1,QM,QTP,QTP2,QX,QXB2,QXC9,QXE2,QXE4,QXE6,QXE8,QXF1 QXH4,QXS2,QXU,QX2,QX26,QX4,QX7,RH,RHA2,RHQ4,RH2,RH26,RMG2,RX RXU,RX2,RX4,SD,SDB2,SH,SHQ4,SJ,SJG,SMC4,SMG1,SM11,SM12,SM14 SM21,SM22,SM24,SX,SXE4,SXU,SX4,SX7,TX,TXU,TXU1,TX2,VEE1,VEN VEN1,VEN4,VES,VES1,VGG2,VMG1,VMT,VPM4,VSD,VSD1,VSD2,VSD7,VS17 VX,VXU,VXU1,VX2,VX4 |
| 8 | 28441-ZH8-801 | SPRING, FRICTION | - | 1 | - | - | 1936895 | ----- |
| | | | 1 | - | - | - | 1937023 | ----- |
| | | | | | | | | LAC,LSK,VEN2,VXK BL,HX,HXU,HX2,HX26,LH,LHB2,LHP1,LHQ4,LJ,LJC1,LJG,LX2,LX4,NDJ NJ,NJC1,NJG,NMB,NTB,NW,NX,PX,PXU,QAB2,QD,QG2,QH,QHP1,QHQ4,QH26 QH4,QJF,QJF1,QM,QTP,QTP2,QX,QXB2,QXC9,QXE2,QXE4,QXE6,QXE8,QXF1 QXH4,QXS2,QXU,QX2,QX26,QX4,QX7,RH,RHA2,RHQ4,RH2,RH26,RMG2,RX RXU,RX2,RX4,SD,SDB2,SH,SHQ4,SJ,SJG,SMC4,SMG1,SM11,SM12,SM14 SM21,SM22,SM24,SX,SXE4,SXU,SX4,SX7,TX,TXU,TXU1,TX2,VEE1,VEN VEN1,VEN4,VES,VES1,VGG2,VMG1,VMT,VPM4,VSD,VSD1,VSD2,VSD7,VS17 VX,VXU,VXU1,VX2,VX4 |
| 9 | 28442-ZH8-003 | SPRING, RECOIL STARTER | - | 1 | - | - | 1936895 | ----- |
| | | | 1 | - | - | - | 1937023 | ----- |
| | | | | | | | | LAC,LSK,VEN2,VXK BL,HX,HXU,HX2,HX26,LH,LHB2,LHP1,LHQ4,LJ,LJC1,LJG,LX2,LX4,NDJ NJ,NJC1,NJG,NMB,NTB,NW,NX,PX,PXU,QAB2,QD,QG2,QH,QHP1,QHQ4,QH26 QH4,QJF,QJF1,QM,QTP,QTP2,QX,QXB2,QXC9,QXE2,QXE4,QXE6,QXE8,QXF1 QXH4,QXS2,QXU,QX2,QX26,QX4,QX7,RH,RHA2,RHQ4,RH2,RH26,RMG2,RX RXU,RX2,RX4,SD,SDB2,SH,SHQ4,SJ,SJG,SMC4,SMG1,SM11,SM12,SM14 SM21,SM22,SM24,SX,SXE4,SXU,SX4,SX7,TX,TXU,TXU1,TX2,VEE1,VEN VEN1,VEN4,VES,VES1,VGG2,VMG1,VMT,VPM4,VSD,VSD1,VSD2,VSD7,VS17 VX,VXU,VXU1,VX2,VX4 |
| 10 | 28443-ZH8-801 | SPRING, RETURN | - | 1 | - | - | 1936895 | ----- |
| | | | 2 | - | - | - | 1937023 | ----- |
| | | | 2 | - | - | - | | ----- |
| | | | | | | | | LAC,LSK,VEN2,VXK BL,HX,HXU,HX2,HX26,LH,LHB2,LHP1,LHQ4,LJ,LJC1,LJG,LX2,LX4,NDJ NJ,NJC1,NJG,NMB,NTB,NW,NX,PX,PXU,QAB2,QD,QG2,QH,QHP1,QHQ4,QH26 QH4,QJF,QJF1,QM,QTP,QTP2,QX,QXB2,QXC9,QXE2,QXE4,QXE6,QXE8,QXF1 QXH4,QXS2,QXU,QX2,QX26,QX4,QX7,RH,RHA2,RHQ4,RH2,RH26,RMG2,RX RXU,RX2,RX4,SD,SDB2,SH,SHQ4,SJ,SJG,SMC4,SMG1,SM11,SM12,SM14 SM21,SM22,SM24,SX,SXE4,SXU,SX4,SX7,TX,TXU,TXU1,TX2,VEE1,VEN VEN1,VEN4,VES,VES1,VGG2,VMG1,VMT,VPM4,VSD,VSD1,VSD2,VSD7,VS17 VX,VXU,VXU1,VX2,VX4 |
| | | | - | 2 | - | - | 1936895 | ----- |
| 11 | 28461-ZH8-003 | GRIP, STARTER | 1 | - | - | - | 1937023 | ----- |
| | | | 1 | - | - | - | | ----- |
| | | | | | | | | LAC,LSK,VEN2,VXK BL,HX,HXU,HX2,HX26,LH,LHB2,LHP1,LHQ4,LJ,LJC1,LJG,LX2,LX4,NDJ NJ,NJC1,NJG,NMB,NTB,NW,NX,PX,PXU,QAB2,QD,QG2,QH,QHP1,QHQ4,QH26 QH4,QJF,QJF1,QM,QTP,QTP2,QX,QXB2,QXC9,QXE2,QXE4,QXE6,QXE8,QXF1 QXH4,QXS2,QXU,QX2,QX26,QX4,QX7,RH,RHA2,RHQ4,RH2,RH26,RMG2,RX RXU,RX2,RX4,SD,SDB2,SH,SHQ4,SJ,SJG,SMC4,SMG1,SM11,SM12,SM14 SM21,SM22,SM24,SX,SXE4,SXU,SX4,SX7,TX,TXU,TXU1,TX2,VEE1,VEN VEN1,VEN4,VES,VES1,VGG2,VMG1,VMT,VPM4,VSD,VSD1,VSD2,VSD7,VS17 VX,VXU,VXU1,VX2,VX4 |
| | | | - | 1 | - | - | 1936895 | ----- |

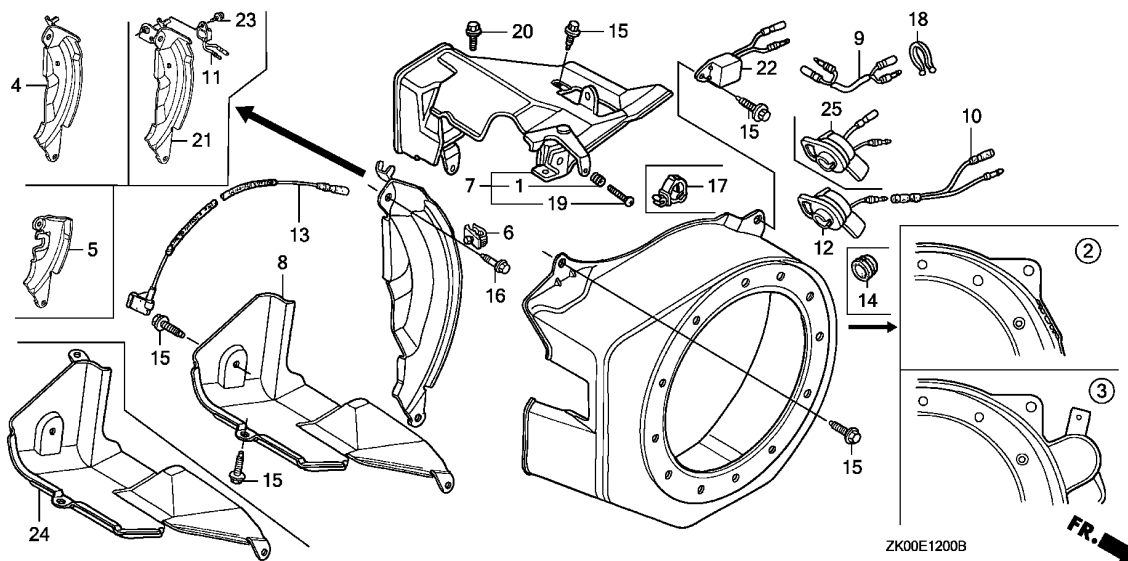


| Ref. No. | Part No. | Description | Reqd. QTY | | | | Serial No. | Parts catalogue code |
|----------|---------------|----------------------------|-----------|-----|-----|-----|------------|--|
| | | | (1) | (2) | (3) | (4) | | |
| 12 | 28462-ZH8-003 | ROPE, RECOIL STARTER | 1 | - | - | - | 1937023 | LAC,LSK,VEN2,VXK BL,HX,HXU,HX2,HX26,LH,LHB2,LHP1,LHQ4,LJ,LJC1,LJG,LX2,LX4,NDJ NJ,NJC1,NJG,NMB,NTB,NW,NX,PX,PXU,QAB2,QD,QG2,QH,QHP1,QHQ4,QH26 QH4,QJF,QJF1,QM,QTP,QTP2,QX,QXB2,QXC9,QXE2,QXE4,QXE6,QXE8,QXF1 QXH4,QXS2,QXU,QX2,QX26,QX4,QX7,RH,RHA2,RHQ4,RH2,RH26,RMG2,RX RXU,RX2,RX4,SD,SDB2,SH,SHQ4,SJ,SJG,SMC4,SMG1,SM11,SM12,SM14 SM21,SM22,SM24,SX,SXE4,SXU,SX4,SX7,TX,TXU,TXU1,TX2,VEE1,VEN VEN1,VEN4,VES,VES1,VGG2,VMG1,VMT,VPM4,VSD,VSD1,VSD2,VSD7,VS17 VX,VXU,VXU1,VX2,VX4 |
| 13 | 90003-ZH8-801 | SCREW, SETTING | - | 1 | - | - | 1936895 | LAC,LSK,VEN2,VXK |
| | | | 1 | - | - | - | 1937023 | BL,HX,HXU,HX2,HX26,LH,LHB2,LHP1,LHQ4,LJ,LJC1,LJG,LX2,LX4,NDJ NJ,NJC1,NJG,NMB,NTB,NW,NX,PX,PXU,QAB2,QD,QG2,QH,QHP1,QHQ4,QH26 QH4,QJF,QJF1,QM,QTP,QTP2,QX,QXB2,QXC9,QXE2,QXE4,QXE6,QXE8,QXF1 QXH4,QXS2,QXU,QX2,QX26,QX4,QX7,RH,RHA2,RHQ4,RH2,RH26,RMG2,RX RXU,RX2,RX4,SD,SDB2,SH,SHQ4,SJ,SJG,SMC4,SMG1,SM11,SM12,SM14 SM21,SM22,SM24,SX,SXE4,SXU,SX4,SX7,TX,TXU,TXU1,TX2,VEE1,VEN VEN1,VEN4,VES,VES1,VGG2,VMG1,VMT,VPM4,VSD,VSD1,VSD2,VSD7,VS17 VX,VXU,VXU1,VX2,VX4 |
| 14 | 90008-ZE2-003 | BOLT, FLANGE, 6X10 | - | 1 | - | - | 1936895 | LAC,LSK,VEN2,VXK |
| | | | 3 | - | - | - | 1937023 | BL |



| Ref. No. | Part No. | Description | Reqd. QTY | | | | Serial No. | Parts catalogue code |
|----------|----------------|-------------------------------|-----------|-----------|-----|---------|--|----------------------|
| | | | (1) | GX200 (2) | (3) | (4) | | |
| 14) | 95701-06018-00 | BOLT, FLANGE, 6X18 | 3 | - | - | - | ----- LAC,LSK,VEN2,VXK | |
| | | | 3 | - | - | 1937023 | ----- HX,HXU,HX2,HX26,LH,LHB2,LHP1,LHQ4,LJ,LJC1,LJG,LX2,LX4,NDJ,NJ NJC1,NJG,NMB,NTB,NW,NX,PX,PXU,QAB2,QD,QG2,QH,QHP1,QHQ4,QH26 QH4,QJF,QM,QTP,QTP2,QX,QXC9,QXE2,QXE4,QXE6,QXS2,QXU,QX2,QX26 QX4,QX7,RH,RHA2,RHQ4,RH2,RH26,RMG2,RX,RXU,RX4,SD,SDB2,SH,SHQ4 SJ,SJG,SMC4,SMG1,SM11,SM12,SM14,SM21,SM22,SM24,SX,SXE4,SXU,SX4 SX7,TX,TXU,TXU1,TX2,VEE1,VEN,VEN4,VES,VES1,VGG2,VMG1,VMT,VSD VSD1,VSD7,VS17,VX,VXU,VXU1,VX2,VX4 | |
| 15 | 28400-ZH8-D53 | STARTER ASSY., RECOIL | 1 | - | - | - | ----- NJC1,QJF1,QXF1 | |
| 16 | 28410-ZH8-D51 | CASE COMP., RECOIL STARTER .. | 1 | - | - | - | ----- NJC1,QJF1,QXF1 | |
| 17 | 32901-MA1-000 | CLIP, SUB CORD | 1 | - | - | - | ----- SM11,SM12,SM14 | |
| 18 | 91406-671-000 | CLIP, WIRE HARNESS | 1 | - | - | - | ----- 1961500 SMG1 | |
| | 91406-166-000 | CLIP, WIRE | 1 | - | - | - | ----- 1961501 SMG1 | |



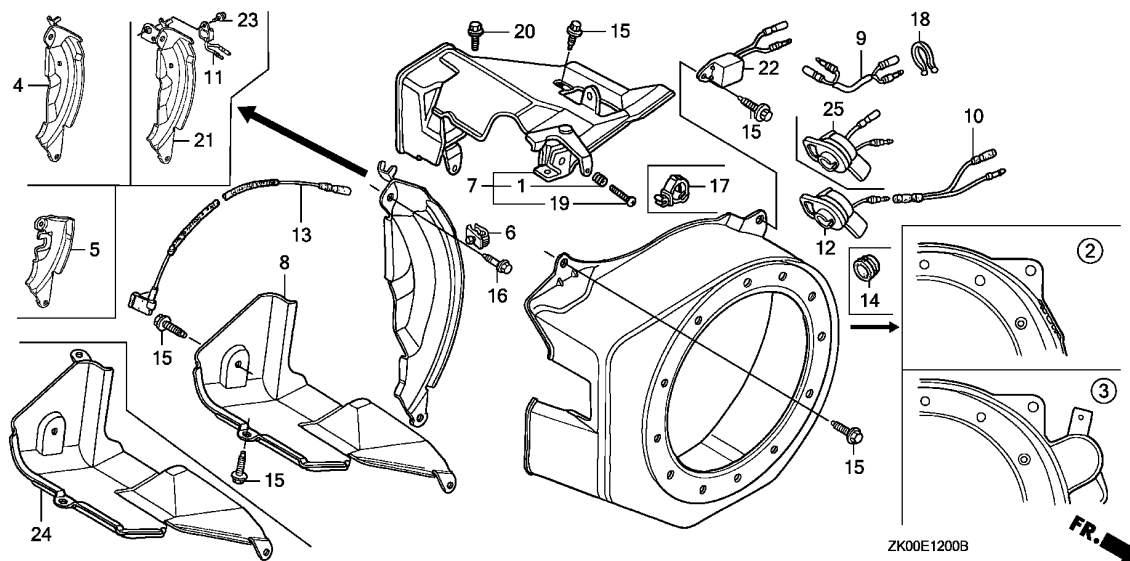


| Ref. No. | L.O.N. | (Relative ref. Number) Description | F.R.T. |
|----------|--------|---------------------------------------|--------|
| 2 | | (3) | |
| 2 | 1141G8 | COVER, ENGINE COOLING FAN (5,21) | 0.2 |
| 4 | 1121A7 | PLATE, SIDE | 0.3 |
| 7 | 4141E2 | SHROUD, ENGINE :UPPER | 0.2 |
| 8 | 4141E0 | SHROUD, ENGINE :LOWER | 0.2 |
| 10 | 6111A3 | CORD, ENGINE STOP SWITCH | 0.1 |
| 12 | 6151D9 | SWITCH, ENGINE STOP | 0.1 |
| 22 | 6151A0 | ALERT UNIT, ENGINE OIL | 0.1 |

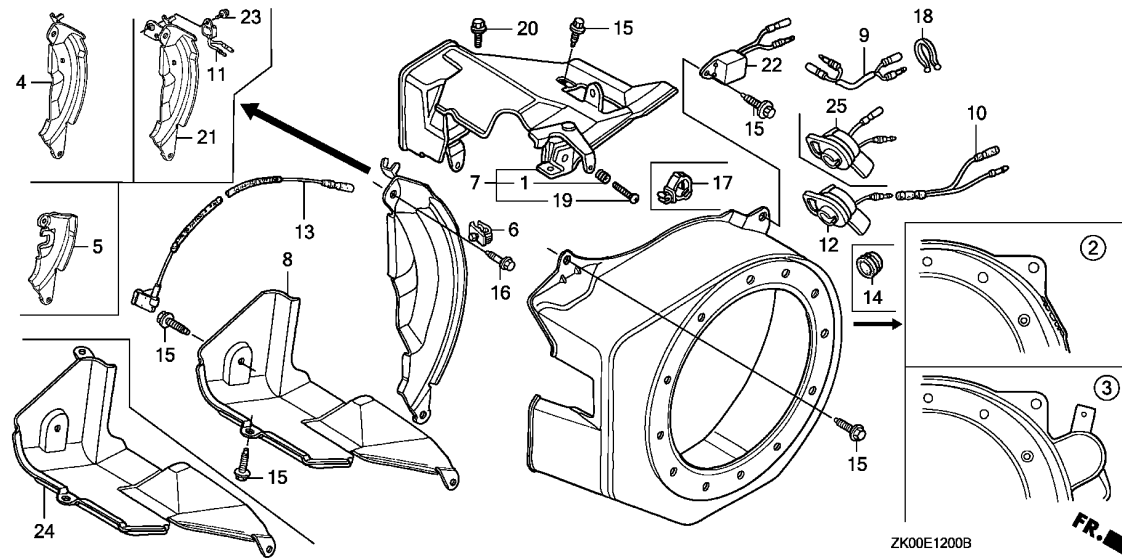
| Ref. No. | Part No. | Description | Reqd. QTY | | | | Serial No. | Parts catalogue code |
|----------|-----------------|---|-----------|-----|-----|-----|--|----------------------|
| | | | (1) | (2) | (3) | (4) | | |
| 1 | 16584-883-300 | SPRING, CONTROL ADJUSTING ... | 1 | - | - | - | VEN, VEN2, VEN4, VES, VMT, VSW, VSW1 | |
| 2 | 19610-ZLO-000ZA | COVER COMP., FAN *NH246*.....LOOSEY GRAY | 1 | - | - | - | HXU, HX26, LH, LHP1, LJG, NTB, PX, QH, QHP1, QH26, QM, QX, QX26, QX4, RH, RHA2, RH26, RMG2, RXU, SMC4, SX, SX4, TX, VGG2, VSD1, VX, VXK, VXU1, VX4 | |
| | 19610-ZLO-000ZD | *NH1*.....BLACK | 1 | - | - | - | QJF1, QXF1, QX2, RHQ4, SM12, SM14, SM22, VEE1, VEN, VEN1, VEN2, VEN4, VES, VES1, VMG1, VSD, VSD7 | |
| | 19610-ZLO-000ZE | *T73*.....EXEN GRAY | 1 | - | - | - | VEE1 | |
| | 19610-ZLO-000ZF | *T38*.....MAT GREEN | 1 | - | - | - | VSD, VX4 | |
| | 19610-ZLO-000ZG | *T83*.....GEKO BLUE 2 | 1 | - | - | - | VSD, VX4 | |
| | 19610-ZLO-820ZB | *NH246*.....LOOSEY GRAY | 1 | - | - | - | NMB | |
| | 19610-ZLO-820ZF | *R280*.....POWER RED | 1 | - | - | - | NJC1, NMB, NTU, RJE, SMG1, SMG2, SWG4 | |
| | 19610-ZLO-000ZJ | *R280*.....POWER RED | 1 | - | - | - | BL, HX, HXU, HX2, HX26, LAC, LH, LHB2, LHP1, LHQ4, LJ, LJ1, LJ2, LJ3, LSK, LVL, LX2, LX4, NDJ, NJ, NJG, NTB, NW, NX, PX, PXU, QAB2, QD, QG2, QH, QHP1, QHQ4, QH26, QJF, QM, QTP, QVL, QX, QXB2, QXC9, QXS2, QXU, QX2, QX26, QX4, QX7, RH, RHA2, RHQ4, RH2, RH26, RMG2, RX, RXU, RX2, RX4, SD, SDB2, SH, SHQ4, SJ, SJG, SMC4, SM11, SM12, SM14, SM21, SM22, SM24, SX, SXU, SX4, SX7, TX, TXU, TX2, VEE1, VEN4, VGG2, VMG1, VMT, VPM4, VSD, VSD1, VSD2, VSD7, VS17, VX, VXK, VXU, VXU1, VX2, VX4 | |
| | 19610-ZLO-000ZK | *NH105*...MAT BLACK (#15-#20) | - | 1 | 1 | 1 | VSW, VSW1 | |
| 3 | 19610-ZLO-830ZA | COVER COMP., FAN *NH246*.....LOOSEY GRAY | 1 | - | - | - | QXE2, QXE4, QXE6 | |
| | 19610-ZLO-830ZD | *R280*.....POWER RED | 1 | - | - | - | QH4, QTP2, QXE2, QXE4, QXE6, QXE8, QXH4, SXE4, TXU1 | |
| 4 | 19612-ZH8-000 | PLATE, SIDE (STD.) | 1 | - | - | 1 | BL, LH, LHB2, LHP1, LHQ4, LJ, LJG, LSK, LVL, NDJ, NJ, NJG, NW, QAB2, QD, QDBR, QH, QHP1, QHQ4, QH26, QJF, QJF1, QM, QVL, QXB2, RH, RHQ4, RH2, RH26, SD, SDB2, SH, SHQ4, SJ, SJG, SM11 | |
| | 19612-ZH8-821 | PLATE, SIDE (LAMP) | 1 | - | - | - | LAC, NTB, QTP, RHA2, RMG2 | |

| Ref. No. | Part No. | Description | Reqd. QTY | | | | Serial No. | Parts catalogue code |
|----------|---------------|-----------------------------|-----------|-----|-----|-----|--|----------------------|
| | | | (1) | (2) | (3) | (4) | | |
| 5 | 19612-ZH8-840 | PLATE, SIDE (STARTER MOTOR) | 1 | - | - | - | NJC1,NMB,NTU,QH4,QTP2,QXE2,QXE4,QXE6,QXE8,QXH4,RJE,SMG1,SMG2,SWG4,SXE4,TXU1 | |
| 6 | 19613-ZE1-020 | CLAMP, CORD | 1 | - | - | - | SM22,SM24,VSW,VSW1 | |
| 7 | 19620-ZL0-V30 | SHROUD ASSY., UPPER | 1 | - | - | - | VEN,VEN2,VEN4,VES,VMT,VSW,VSW1 | |
| 8 | 19630-ZH8-000 | SHROUD COMP. | 1 | - | - | - | BL,HX,HXU,HX2,HX26,LAC,LH,LHB2,LHP1,LHQ4,LJ,LJC1,LJG,LSK,LVL,LX2,LX4,NDJ,NJ,NJG,NMB,NTB,NTU,NW,NX,PX,PXU,QAB2,QD,QG2,QH,QHP1,QHQ4,QH26,QH4,QJF,QM,QTP,QTP2,QVL,QX,QXB2,QXC9,QXE2,QXE4,QXE6,QXE8,QXH4,QXS2,QXU,QX2,QX26,QX4,QX7,RH,RHA2,RHQ4,RH2,RH26,RJE,RMG2,RX,RXU,RX2,RX4,SD,SDB2,SH,SHQ4,SJ,SJG,SMC4,SMG1,SMG2,SM11,SM12,SM14,SM21,SM22,SM24,SWG4,SX,SXE4,SXU,SX4,SX7,TX,TXU,TXU1,TX2,VEE1,VEN1,VE1,VGG2,VMG1,VPM4,VSD,VSD1,VSD2,VSD7,VS17,VX,VXK,VXU,VXU1,VX2,VX4 | |
| 9 | 32105-ZH8-V10 | CABLE, DOUBLE CONNECTOR | - | 1 | 1 | 1 | | |
| 10 | 32197-ZH8-003 | SUB HARNESS | 1 | - | - | - | SWG4 | |
| 11 | 34150-ZH7-003 | ALERT UNIT, OIL | 1 | - | - | 1 | HXU,HX2,HX26,LX2,LX4,NX,PX,PXU,QG2,QXBR,QXC9,QXS2,QXU,QX2,QX26,QX4,QX7,RXU,RX2,RX4,SMC4,SM12,SM14,SM22,SM24,SXU,SX4,SX7,TXBR,TXU,TX2,VEN2,VEN4,VGG2,VPM4,VSD,VSD1,VSD2,VSD7,VS17,VXBR,VXU1,VX2,VX4 | |
| | | | 1 | - | - | - | 2222937 HX,LJC1,QX,QXF1,RX,SM21,SX,TX,VEE1,VEN,VEN1,VES,VES1,VMG1,VMT,VSW,VSW1,VX,VXK,VXU | |
| | 34150-ZH7-013 | | - | 1 | - | - | | |
| | | | 1 | - | - | - | 2222938 HX,LJC1,QX,QXF1,RX,SM21,SX,TX,VEE1,VEN,VEN1,VES,VES1,VMG1,VMT,VSW,VSW1,VX,VXK,VXU | |
| 12 | 35120-Z0D-V81 | SWITCH ASSY., ENGINE STOP | 1 | - | - | - | QXB2 | |
| | 36100-ZE1-015 | | 1 | - | - | 1 | BL,LAC,LH,LHB2,LHP1,LJ,LJG,LSK,LVL,NDJ,NJ,NJG,NTB,NW,QAB2,QD,QDBR,QH,QHP1,QH26,QJF,QM,QTP,QVL,RH,RHA2,RH2,RH26,RMG2,SD,SDB2,SH,SJ,SJG,SM11 | |
| | | | - | - | 1 | - | | |
| | 36100-ZH8-W41 | | 1 | - | - | - | LHQ4,QHQ4,RHQ4,SHQ4 | |
| 13 | 36101-ZB2-010 | CORD, STOP SWITCH (395MM) | 1 | - | - | - | QH4,QTP2,QXE2,QXE4,QXE6,QXE8,QXH4,SWG4,SXE4,TXU1,VSW,VSW1 | |
| | 36101-ZE1-010 | CORD, STOP SWITCH (370MM) | 1 | - | - | - | BL,HX,HXU,HX2,HX26,LAC,LH,LHB2,LHP1,LHQ4,LJ,LJC1,LJG,LSK,LVL,LX2,LX4,NDJ,NJ,NJC1,NJG,NMB,NTB,NTU,NW,NX,PX,PXU,QAB2,QD,QG2,QH,QHP1,QHQ4,QH26,QJF,QJF1,QM,QTP,QVL,QX,QXB2,QXC9,QXF1,QXS2,QXU,QX2,QX26,QX4,QX7,RH,RHA2,RHQ4,RH2,RH26,RJE,RMG2,RX,RXU,RX2,RX4,SD,SDB2,SH,SHQ4,SJ,SJG,SMC4,SMG1,SMG2,SM11,SM12,SM14,SM21,SM22,SM24,SX,SXU,SX4,SX7,TX,TXU,TX2,VEE1,VEN,VEN1,VEN2,VEN4,VES,VE1,VGG2,VMG1,VMT,VPM4,VSD,VSD1,VSD2,VSD7,VS17,VX,VXK,VXU,VXU1,VX2,VX4 | |
| 14 | 81329-567-020 | GROMMET, DRAIN HOLE | - | 1 | 1 | 1 | | |
| 15 | 90013-883-000 | BOLT, FLANGE, 6X12(CT200) | 1 | - | - | - | QJF1,SM22,SM24,VSW,VSW1 | |
| | | | 4 | - | - | - | NJC1,QJF1,QXF1 | |
| | | | 6 | - | - | - | BL,HX,HXU,HX2,HX26,LAC,LH,LHB2,LHP1,LHQ4,LJ,LJC1,LJG,LSK,LVL,LX2,LX4,NDJ,NJ,NJG,NMB,NTB,NTU,NW,NX,PX,PXU,QAB2,QD,QG2,QH,QHP1,QHQ4,QH26,QH4,QJF,QM,QTP,QTP2,QVL,QX,QXB2,QXC9,QXE2,QXE4,QXE6,QXE8,QXH4,QXS2,QXU,QX2,QX26,QX4,QX7,RH,RHA2,RHQ4,RH2,RH26,RJE,RMG2,RX,RXU,RX2,RX4,SD,SDB2,SH,SHQ4,SJ,SJG,SMC4,SMG1,SMG2,SM11,SM12,SM14,SM21,SM22,SM24,SWG4,SX,SXE4,SXU,SX4,SX7,TX,TXU,TXU1,TX2,VEE1,VEN1,VE1,VGG2,VMG1,VPM4,VSD,VSD1,VSD2,VSD7,VS17,VX,VXK,VXU,VXU1,VX2,VX4 | |
| | | | 8 | - | - | - | VEN,VEN2,VEN4,VES,VMT,VSW,VSW1 | |
| | | | - | 6 | 6 | 6 | | |





| Ref. No. | Part No. | Description | Reqd. QTY | | | | Serial No. | Parts catalogue code |
|----------|---------------|-------------------------------|----------------------------------|-----|-----|-----|---|--|
| | | | (1) | (2) | (3) | (4) | | |
| 16 | 90022-888-010 | BOLT, FLANGE, 6X20(CT200) ... | 1 | - | - | - | BL, HX, HXU, HX2, HX26, LAC, LH, LHB2, LHP1, LHQ4, LJ, LJC1, LJG, LSK, LVL, LX2, LX4, NDJ, NJ, NJG, NTB, NW, NX, PX, PXU, QAB2, QD, QG2, QH, QHP1, QHQ4, QH26, QJF, QJF1, QM, QTP, QVL, QX, QXB2, QXC9, QXF1, QXS2, QXU, QX2, QX26, QX4, QX7, RH, RHA2, RHQ4, RH2, RH26, RMG2, RX, RXU, RX2, RX4, SD, SDB2, SH, SHQ4, SJ, SJG, SMC4, SM11, SM12, SM14, SM21, SM22, SM24, SX, SXU, SX4, SX7, TX, TXU, TX2, VEE1, VEN, VEN1, VEN2, VEN4, VES, VES1, VGG2, VMG1, VMT, VPM4, VSD, VSD1, VSD2, VSD7, VSW, VSW1, VS17, VX, VXK, VXU, VXU1, VX2, VX4 | |
| | 90121-952-000 | BOLT, FLANGE, 6X25(CT200) ... | - | 1 | 1 | 1 | NJC1, NMB, NTU, QH4, QTP2, QXE2, QXE4, QXE6, QXE8, QXH4, RJE, SMG1, SMG2, SWG4, SXE4, TXU1 | |
| 17 | 90601-ZH7-D02 | CLIP, HARNESS | 1 | - | - | - | VEN, VEN2, VEN4, VES | |
| | 90601-ZH7-013 | | 1 | - | - | 1 | HX, HXU, HX2, HX26, LJC1, LX2, LX4, NX, PX, PXU, QG2, QX, QXBR, QXC9, QXF1, QXS2, QXU, QX2, QX26, QX4, QX7, RX, RXU, RX2, RX4, SMC4, SM12, SM14, SM21, SX, SXU, SX4, SX7, TX, TXBR, TXU, TX2, VEE1, VEN1, VGG2, VMG1, VMT, VPM4, VSD, VSD1, VSD2, VSD7, VS17, VX, VXBR, VXK, VXU, VXU1, VX2, VX4 | |
| | 18 | 90630-751-000 | CLIP, PURSE LOCK | - | 1 | - | - | SWG4 |
| | 19 | 93500-05035-0A | SCREW, PAN, 5X35 | 1 | - | - | - | VEN, VEN2, VEN4, VES, VMT, VSW, VSW1 |
| | 20 | 95701-06008-00 | BOLT, FLANGE, 6X8 | 1 | - | - | - | VEN, VEN2, VEN4, VES, VMT, VSW, VSW1 |
| | 21 | 19611-ZH8-810 | PLATE COMP., SIDE (OIL ALERT) | 1 | - | - | 1 | HX, HXU, HX2, HX26, LJC1, LX2, LX4, NX, PX, PXU, QX, QXBR, QXC9, QXF1, QXU, QX2, QX26, QX4, QX7, RX, RXU, RX2, RX4, SM12, SM14, SM21, SM22, SM24, SX, SXU, SX4, SX7, TX, TXBR, TXU, TX2, VEE1, VEN1, VGG2, VMG1, VMT, VPM4, VSD, VSD1, VSD2, VSD7, VSW, VSW1, VS17, VX, VXBR, VXK, VXU, VXU1, VX2, VX4 |
| | | 19611-ZH8-820 | PLATE COMP., SIDE (ALERT & LAMP) | - | 1 | - | - | QG2, QXS2, SMC4, VEN, VEN2, VEN4, VES, VES1 |
| | 22 | 34150-ZH7-003 | ALERT UNIT, OIL | 1 | - | - | - | SWG4 |

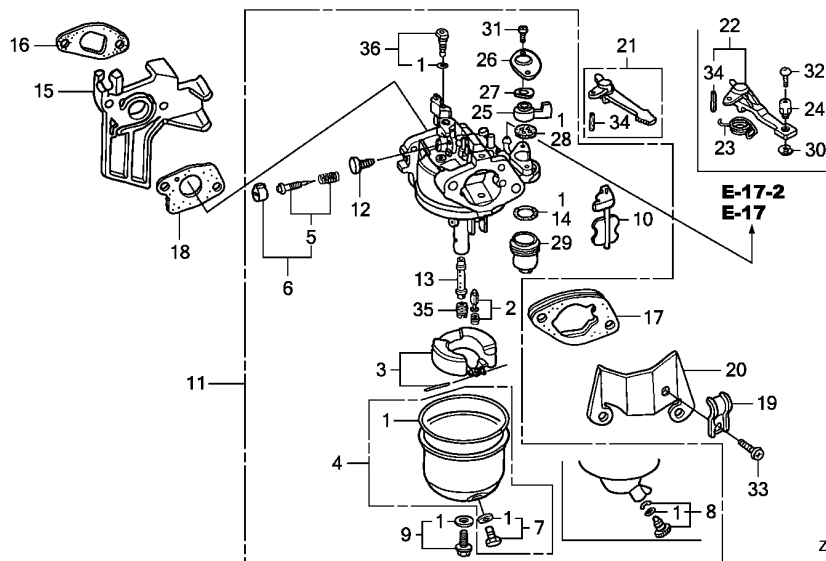


| Ref. No. | Part No. | Description | Reqd. QTY | | | | Serial No. | Parts catalogue code |
|----------|----------------|-------------------------------|-----------|-----------|-----|-----|------------|---|
| | | | (1) | GX200 (2) | (3) | (4) | | |
| 23 | 95701-06008-00 | BOLT, FLANGE, 6X8 | 1 | - | - | 1 | ----- | HX, HXU, HX2, HX26, LJC1, LX2, LX4, NX, PX, PXU, QG2, QX, QXBR, QXC9, QXF1, QXS2, QXU, QX2, QX26, QX4, QX7, RX, RXU, RX2, RX4, SMC4, SM12, SM14, SM21, SM22, SM24, SX, SXU, SX4, SX7, TX, TXBR, TXU, TX2, VEE1, VEN, VEN1, VEN2, VEN4, VES, VES1, VGG2, VMG1, VMT, VPM4, VSD, VSD1, VSD2, VSD7, VSW, VSW1, VS17, VX, VXBR, VXK, VXU, VXU1, VX2, VX4 |
| 24 | 19640-ZL0-V30 | SHROUD COMP., LOWER | 1 | - | - | - | ----- | VEN, VEN2, VEN4, VES, VMT, VSW, VSW1 |
| 25 | 36100-ZH7-W41 | SWITCH ASSY., ENGINE STOP ... | 1 | - | - | - | ----- | LX4, QX4, QX7, RX4, SMC4, SM14, SX4, SX7, VEE1, VEN1, VSD, VSD1, VSD7, VS17, VX4 |
| | 36100-ZH7-003 | | 1 | - | - | 1 | ----- | HX, HXU, HX2, HX26, LJC1, LX2, NX, PX, PXU, QG2, QX, QXBR, QXC9, QXF1, QXS2, QXU, QX2, QX26, RX, RXU, RX2, SM12, SM21, SX, SXU, TX, TXBR, TXU, TX2, VEN, VEN2, VEN4, VES, VES1, VGG2, VMG1, VMT, VSD2, VX, VXBR, VXK, VXU, VXU1, VX2 |
| | 36100-ZF6-P81 | | 1 | - | - | - | ----- | VPM4 |

E-14

CARBURETOR(1)

F 4



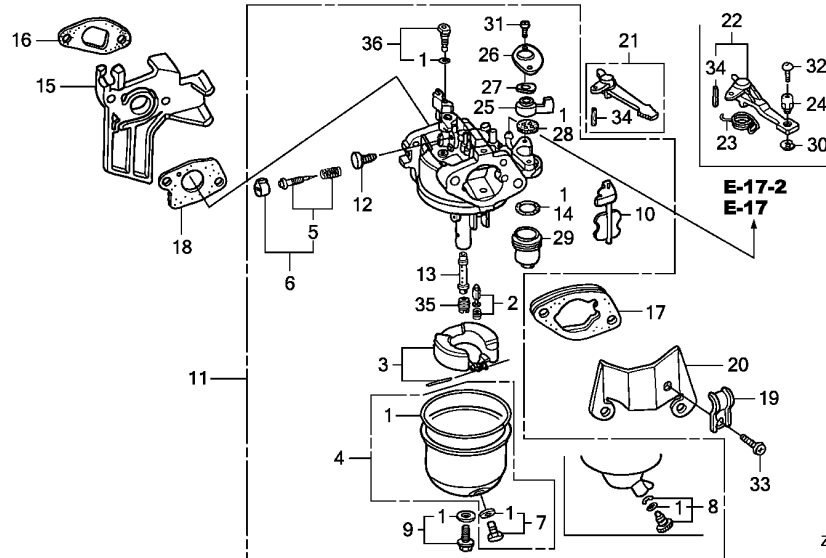
ZK00E1400A

| Ref. No. | L.O.N. | (Relative ref. Number) Description | F.R.T. |
|----------|--------|---|--------|
| 1 | 3111B1 | GASKET SET, CARBURETOR (3) | 0.3 |
| 2 | 3111E1 | VALVE SET, FLOAT AND/OR FLOAT SET | 0.3 |
| 4 | 3111A3 | CHAMBER SET, FLOAT AND/OR GASKET, FLOAT CHAMBER (5) | 0.2 |
| 6 | 3111D7 | SCREW SET, PILOT | 0.2 |
| 11 | 3111F3 | CARBURETOR (29) | 0.2 |
| 14 | 3101L6 | PACKING, FUEL STRAINER CUP (16) | 0.2 |
| 15 | 3111C0 | INSULATOR, CARBURETOR AND/OR PACKING, INSULATOR | 0.2 |
| 17 | 3111D9 | SPACER, CARBURETOR | 0.2 |
| 18 | 3111C8 | PACKING, CARBURETOR (22) | 0.2 |
| 21 | 8101F9 | LEVER, CARBURETOR CHOKE | 0.2 |
| 23 | 3111M8 | SPRING, CHOKE CONTROL STAY RETURN (25,26,27) | 0.2 |
| 28 | 3101C5 | PACKING, FUEL COCK | 0.2 |
| 35 | 3111C3 | JET, MAIN | 0.3 |

| Ref. No. | Part No. | Description | Reqd. QTY | | | | Serial No. | Parts catalogue code |
|----------|--------------------------------|------------------|-----------|-----|-----|-----|------------|--|
| | | | (1) | (2) | (3) | (4) | | |
| 1 | 16010-ZE0-025 16010-ZE1-812 | GASKET SET | 1 | - | - | 1 | ----- | QD,QDBR,QM,SD,SDB2 BL,HX,HXU,HX2,HX26,LAC,LH,LHB2,LHP1,LHQ4,LJ,LJC1,LJG,LVL,LX2,LX4,NDJ,NJ,NJC1,NJG,NMB,NTB,NTU,NW,NX,PX,PXU,QAB2,QG2,QH,QHP1,QHQ4,QH26,QH4,QJF,QJF1,QTP,QTP2,QVL,QX,QXB2,QXC9,QXE2,QXE4,QXE6,QXE8,QXF1,QXH4,QXS2,QXU,QX2,QX26,QX4,QX7,RH,RHA2,RHQ4,RH2,RH26,RJE,RMG2,RX,RXU,RX2,RX4,SH,SHQ4,SJ,SJG,SMC4,SM11,SM12,SM14,SM21,SM22,SM24,SWG4,SX,SXE4,SXU,SX4,SX7,TX,TXBR,TXU,TXU1,TX2,VEE1,VEN1,VES1,VGG2,VMG1,VSD,VSD7,VX,VXBR,VXK,VXU,VXU1,VX2,VX4 |
| | 16010-ZH7-A20 | | - | - | 1 | - | ----- | LSK,SMG1,SMG2 |
| 2 | 16011-ZE0-005 | VALVE SET, FLOAT | 1 | - | - | - | ----- | BL,HX,HXU,HX2,HX26,LAC,LH,LHB2,LHP1,LHQ4,LJ,LJC1,LJG,LSK,LVL,LX2,LX4,NDJ,NJ,NJC1,NJG,NMB,NTB,NTU,NW,NX,PX,PXU,QAB2,QD,QG2,QH,QHP1,QHQ4,QH26,QH4,QJF,QJF1,QM,QTP,QTP2,QVL,QX,QXB2,QXC9,QXE2,QXE4,QXE6,QXE8,QXF1,QXH4,QXS2,QXU,QX2,QX26,QX4,QX7,RH,RHA2,RHQ4,RH2,RH26,RJE,RMG2,RX,RXU,RX2,RX4,SD,SDB2,SH,SHQ4,SJ,SJG,SMC4,SMG1,SMG2,SM11,SM12,SM14,SM21,SM22,SM24,SWG4,SX,SXE4,SXU,SX4,SX7,TX,TXU,TXU1,TX2,VEE1,VEN1,VES1,VGG2,VMG1,VSD,VSD7,VX,VXK,VXU,VXU1,VX2,VX4 |
| 3 | 16013-ZE0-005 | FLOAT SET | 1 | - | - | 1 | ----- | BL,HX,HXU,HX2,HX26,LAC,LH,LHB2,LHP1,LHQ4,LJ,LJC1,LJG,LSK,LVL,LX2,LX4,NDJ,NJ,NJC1,NJG,NMB,NTB,NTU,NW,NX,PX,PXU,QAB2,QD,QG2,QH,QHP1,QHQ4,QH26,QH4,QJF,QJF1,QM,QTP,QTP2,QVL,QX,QXB2,QXC9,QXE2,QXE4,QXE6,QXE8,QXF1,QXH4,QXS2,QXU,QX2,QX26,QX4,QX7,RH,RHA2,RHQ4,RH2,RH26,RJE,RMG2,RX,RXU,RX2,RX4,SD,SDB2,SH,SHQ4,SJ,SJG,SMC4,SMG1,SMG2,SM11,SM12,SM14,SM21,SM22,SM24,SWG4,SX,SXE4,SXU,SX4,SX7,TX,TXU,TXU1,TX2,VEE1,VEN1,VES1,VGG2,VMG1,VSD,VSD7,VX,VXK,VXU,VXU1,VX2,VX4 |
| | | | - | - | 1 | 1 | | |

| Ref. No. | Part No. | Description | Reqd. QTY | | | | Serial No. | Parts catalogue code |
|----------|---------------|-------------------------------|-----------|-----|-----|-----|---|----------------------|
| | | | (1) | (2) | (3) | (4) | | |
| 4 | 16015-ZE0-831 | CHAMBER SET, FLOAT | 1 | - | - | - | BL, HX, HXU, HX2, HX26, LAC, LH, LHB2, LHP1, LHQ4, LJ, LJC1, LJG, LVL, LX2, LX4, NDJ, NJ, NJC1, NJG, NMB, NTB, NTU, NW, NX, PX, PXU, QAB2, QD, QG2, QH, QHP1, QHQ4, QH26, QH4, QJF, QJF1, QM, QTP, QTP2, QVL, QX, QXB2, QXC9, QXE2, QXE4, QXE6, QXE8, QXF1, QXH4, QXS2, QXU, QX2, QX26, QX4, QX7, RH, RHA2, RHQ4, RH2, RH26, RJE, RMG2, RX, RXU, RX2, RX4, SD, SDB2, SH, SHQ4, SJ, SJG, SMC4, SM11, SM12, SM14, SM21, SM22, SM24, SWG4, SX, SXE4, SXU, SX4, SX7, TX, TXU, TXU1, TX2, VEE1, VEN1, VES1, VGG2, VMG1, VSD, VSD7, VX, VVK, VXU, VXU1, VX2, VX4 | |
| | 16015-ZH7-A21 | | - | - | 1 | 1 | LSC, SMG1, SMG2 | |
| 5 | 16016-ZE0-005 | SCREW SET, PILOT | 1 | - | - | 1 | BL, LJ, LJC1, LJG, LSK, LVL, NJ, NJC1, NJG, NMB, NTB, NTU, NW, QD, QDBR, QJF, QJF1, QM, QVL, QXF1, SD, SDB2, SJ, SJG, SMG2 | |
| | | | - | - | 1 | - | | |
| 6 | 16016-ZH7-W01 | SCREW SET, PILOT | 1 | - | - | 1 | HX, HXU, HX2, HX26, LAC, LH, LHB2, LHP1, LHQ4, LX2, LX4, NDJ, NX, PX, PXU, QAB2, QG2, QH, QHP1, QHQ4, QH26, QH4, QTP, QTP2, QX, QXBR, QXB2, QXC9, QXE2, QXE4, QXE6, QXE8, QXH4, QXS2, QXU, QX2, QX26, QX4, QX7, RH, RHA2, RHQ4, RH2, RH26, RJE, RMG2, RX, RXU, RX2, RX4, SH, SHQ4, SMC4, SMG1, SM11, SM12, SM14, SM21, SM22, SM24, SWG4, SX, SXE4, SXU, SX4, SX7, TX, TXBR, TXU, TXU1, TX2, VEE1, VEN1, VES1, VGG2, VMG1, VSD, VSD7, VX, VXBR, VVK, VXU, VXU1, VX2, VX4 | |
| 7 | 16024-ZE1-811 | SCREW SET, DRAIN | 1 | - | - | - | BL, HX, HXU, HX2, HX26, LAC, LH, LHB2, LHP1, LHQ4, LJ, LJC1, LJG, LVL, LX2, LX4, NDJ, NJ, NJC1, NJG, NMB, NTB, NTU, NW, NX, PX, PXU, QAB2, QD, QG2, QH, QHP1, QHQ4, QH26, QH4, QJF, QJF1, QM, QTP, QTP2, QVL, QX, QXB2, QXC9, QXE2, QXE4, QXE6, QXE8, QXF1, QXH4, QXS2, QXU, QX2, QX26, QX4, QX7, RH, RHA2, RHQ4, RH2, RH26, RJE, RMG2, RX, RXU, RX2, RX4, SD, SDB2, SH, SHQ4, SJ, SJG, SMC4, SM11, SM12, SM14, SM21, SM22, SM24, SWG4, SX, SXE4, SXU, SX4, SX7, TX, TXU, TXU1, TX2, VEE1, VEN1, VES1, VGG2, VMG1, VSD, VSD7, VX, VVK, VXU, VXU1, VX2, VX4 | |
| | | | - | - | 1 | 1 | LSC, SMG1, SMG2 | |
| 8 | 16024-ZH7-A20 | SCREW SET, DRAIN | 1 | - | - | - | LSC, SMG1, SMG2 | |
| 9 | 16028-ZE0-005 | SCREW SET | 1 | - | - | - | BL, HX, HXU, HX2, HX26, LAC, LH, LHB2, LHP1, LHQ4, LJ, LJC1, LJG, LSK, LVL, LX2, LX4, NDJ, NJ, NJC1, NJG, NMB, NTB, NTU, NW, NX, PX, PXU, QAB2, QD, QG2, QH, QHP1, QHQ4, QH26, QH4, QJF, QJF1, QM, QTP, QTP2, QVL, QX, QXB2, QXC9, QXE2, QXE4, QXE6, QXE8, QXF1, QXH4, QXS2, QXU, QX2, QX26, QX4, QX7, RH, RHA2, RHQ4, RH2, RH26, RJE, RMG2, RX, RXU, RX2, RX4, SD, SDB2, SH, SHQ4, SJ, SJG, SMC4, SMG1, SMG2, SM11, SM12, SM14, SM21, SM22, SM24, SWG4, SX, SXE4, SXU, SX4, SX7, TX, TXU, TXU1, TX2, VEE1, VEN1, VES1, VGG2, VMG1, VSD, VSD7, VX, VVK, VXU, VXU1, VX2, VX4 | |
| | | | - | - | 1 | 1 | | |
| 10 | 16044-ZE0-005 | CHOKE SET | 1 | - | - | - | BL, HX, HXU, HX2, HX26, LAC, LH, LHB2, LHP1, LHQ4, LJ, LJC1, LJG, LSK, LVL, LX2, LX4, NDJ, NJ, NJC1, NJG, NMB, NTB, NTU, NW, NX, PX, PXU, QAB2, QD, QG2, QH, QHP1, QHQ4, QH26, QH4, QJF, QJF1, QM, QTP, QTP2, QVL, QX, QXB2, QXC9, QXE2, QXE4, QXE6, QXE8, QXF1, QXH4, QXS2, QXU, QX2, QX26, QX4, QX7, RH, RHA2, RHQ4, RH2, RH26, RJE, RMG2, RX, RXU, RX2, RX4, SD, SDB2, SH, SHQ4, SJ, SJG, SMC4, SMG1, SMG2, SM11, SM12, SM14, SM21, SM22, SM24, SWG4, SX, SXE4, SXU, SX4, SX7, TX, TXU, TXU1, TX2, VEE1, VEN1, VES1, VGG2, VMG1, VSD, VSD7, VX, VVK, VXU, VXU1, VX2, VX4 | |
| | | | - | - | 1 | 1 | | |
| 11 | 16100-ZK0-V01 | CARBURETOR ASSY. (BE64U A) .. | 1 | - | - | - | NJC1, QJF1, QXF1 | |
| | 16100-ZL0-S71 | CARBURETOR ASSY. (BE64T A) .. | 1 | - | - | - | SMG2 | |
| | 16100-ZL0-U21 | CARBURETOR ASSY. (BE64N A) .. | 1 | - | - | - | VGG2 | |
| | 16100-ZL0-V21 | CARBURETOR ASSY. (BE64F B) .. | 1 | - | - | - | QH4, QTP2, QXC9, QXH4 | |
| | 16100-ZL0-W12 | CARBURETOR ASSY. (BE64R B) .. | 1 | - | - | - | SMG1 | |



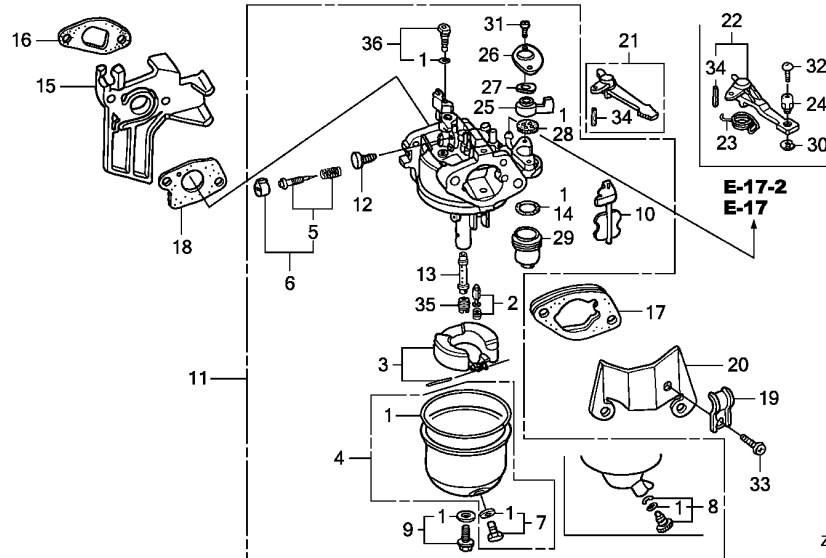


ZK00E1400A

| Ref. No. | Part No. | Description | Reqd. QTY | | | | Serial No. | Parts catalogue code |
|----------|---------------|------------------------------|-----------|-----|-----|-----|------------|--|
| | | | (1) | (2) | (3) | (4) | | |
| 11) | 16100-ZL0-W51 | CARBURETOR ASSY. (BE64B B/C) | 1 | - | - | 1 | ----- | HX,HXU,HX2,HX26,LH,LHB2,LHP1,LHQ4,LX2,LX4,NX,PX,PXU,QG2,QH QHP1,QHQ4,QH26,QTP,QX,QXBR,QXB2,QXE2,QXE4,QXE6,QXE8,QXS2,QXU QX2,QX26,QX4,QX7,RH,RHA2,RHQ4,RH2,RH26,RJE,RMG2,RX,RXU,RX2,RX4 SH,SHQ4,SMC4,SM11,SM12,SM14,SM21,SM22,SM24,SWG4,SX,SXE4,SXU SX4,SX7,TX,TXBR,TXU,TXU1,TX2,VEE1,VEN1,VES1,VMG1,VSD,VSD7,VX VXR,VXK,VXU,VXU1,VX2,VX4 |
| | 16100-ZL0-W81 | CARBURETOR ASSY. (BE64S A) | 1 | - | - | - | 1907865 | NDJ |
| | 16100-ZL0-811 | CARBURETOR ASSY. (BE69A B) | 1 | - | - | 1 | ----- | BL,LVL,QVL |
| | 16100-ZL0-821 | CARBURETOR ASSY. (BE64C B) | 1 | - | - | - | ----- | QD,QDBR,QM,SD,SDB2 |
| | | | - | - | 1 | - | ----- | LJ,LJC1,LJG,NJ,NJG,NMB,NTB,NTU,NW,QJF,SJ,SJG |
| | 16100-ZK0-V61 | CARBURETOR ASSY. (BE59A A) | 1 | - | - | - | ----- | LSK |
| | 16100-ZL0-W61 | CARBURETOR ASSY. (BE64E B) | 1 | - | - | - | ----- | LAC,QAB2 |
| | | | 1 | - | - | - | 1907866 | NDJ |
| 12 | 16124-ZE0-005 | SCREW, THROTTLE STOP | 1 | - | - | - | ----- | BL,HX,HXU,HX2,HX26,LAC,LH,LHB2,LHP1,LHQ4,LJ,LJC1,LJG,LSK,LVL LX2,LX4,NDJ,NJ,NJC1,NJG,NMB,NTB,NTU,NW,NX,PX,PXU,QAB2,QD,QG2 QH,QHP1,QHQ4,QH26,QH4,QJF,QJF1,QM,QTP,QTP2,QVL,QX,QXB2,QXC9 QXE2,QXE4,QXE6,QXE8,QXF1,QXH4,QXS2,QXU,QX2,QX26,QX4,QX7,RH RHA2,RHQ4,RH2,RH26,RJE,RMG2,RX,RXU,RX2,RX4,SD,SDB2,SH,SHQ4,SJ SJG,SMC4,SMG1,SMG2,SM11,SM12,SM14,SM21,SM22,SM24,SWG4,SX,SXE4 SXU,SX4,SX7,TX,TXU,TXU1,TX2,VEE1,VEN1,VES1,VGG2,VMG1,VSD,VSD7 VX,VXK,VXU,VXU1,VX2,VX4 |
| 13 | 16166-ZL0-V20 | NOZZLE, MAIN | 1 | - | - | 1 | ----- | QH4,QTP2,QXC9,QXH4 |

| Ref. No. | Part No. | Description | Reqd. QTY | | | | Serial No. | Parts catalogue code |
|----------|---------------|--------------------------------|-----------|-----|-----|-----|---|----------------------|
| | | | (1) | (2) | (3) | (4) | | |
| 13) | 16166-ZLO-000 | NOZZLE, MAIN | 1 | - | - | - | BL, HX, HXU, HX2, HX26, LAC, LH, LHB2, LHP1, LHQ4, LJ, LJC1, LJG, LSK, LVL, LX2, LX4, NDJ, NJ, NJC1, NJG, NMB, NTB, NTU, NW, NX, PX, PXU, QAB2, QD, QG2, QH, QHP1, QHQ4, QH26, QJF, QJF1, QM, QTP, QVL, QX, QXB2, QXE2, QXE4, QXE6, QXE8, QXF1, QXS2, QXU, QX2, QX26, QX4, QX7, RH, RHA2, RHQ4, RH2, RH26, RJE, RMG2, RX, RXU, RX2, RX4, SD, SDB2, SH, SHQ4, SJ, SJG, SMC4, SMG1, SMG2, SM11, SM12, SM14, SM21, SM22, SM24, SWG4, SX, SXE4, SXU, SX4, SX7, TX, TXU, TXU1, TX2, VEE1, VEN1, VES1, VGG2, VMG1, VSD, VSD7, VX, VVK, VXU, VXU1, VX2, VX4 | |
| 14 | 16173-001-004 | PACKING, FUEL STRAINER CUP .. | 1 | - | 1 | 1 | BL, HX, HXU, HX2, HX26, LAC, LH, LHB2, LHP1, LHQ4, LJ, LJC1, LJG, LSK, LVL, LX2, LX4, NDJ, NJ, NJC1, NJG, NMB, NTB, NTU, NW, NX, PX, PXU, QAB2, QG2, QH, QHP1, QHQ4, QH26, QH4, QJF, QJF1, QTP, QTP2, QVL, QX, QXBR, QXB2, QXC9, QXE2, QXE4, QXE6, QXE8, QXF1, QXH4, QXS2, QXU, QX2, QX26, QX4, QX7, RH, RHA2, RHQ4, RH2, RH26, RJE, RMG2, RX, RXU, RX2, RX4, SH, SHQ4, SJ, SJG, SMC4, SMG1, SMG2, SM11, SM12, SM14, SM21, SM22, SM24, SWG4, SX, SXE4, SXU, SX4, SX7, TX, TXBR, TXU, TXU1, TX2, VEE1, VEN1, VES1, VGG2, VMG1, VSD, VSD7, VX, VXR, VVK, VXU, VXU1, VX2, VX4 | |
| 15 | 16211-ZLO-000 | INSULATOR, CARBURETOR | 1 | - | 1 | - | BL, HX, HXU, HX2, HX26, LAC, LH, LHB2, LHP1, LHQ4, LJ, LJC1, LJG, LSK, LVL, LX2, LX4, NDJ, NJ, NJC1, NJG, NMB, NTB, NTU, NW, NX, PX, PXU, QAB2, QD, QG2, QH, QHP1, QHQ4, QH26, QH4, QJF, QJF1, QM, QTP, QTP2, QVL, QX, QXB2, QXC9, QXE2, QXE4, QXE6, QXE8, QXF1, QXH4, QXS2, QXU, QX2, QX26, QX4, QX7, RH, RHA2, RHQ4, RH2, RH26, RJE, RMG2, RX, RXU, RX2, RX4, SD, SDB2, SH, SHQ4, SJ, SJG, SMC4, SMG1, SMG2, SM11, SM12, SM14, SM21, SM22, SM24, SWG4, SX, SXE4, SXU, SX4, SX7, TX, TXU, TXU1, TX2, VEE1, VEN1, VES1, VGG2, VMG1, VSD, VSD7, VX, VVK, VXU, VXU1, VX2, VX4 | |
| 16 | 16212-ZH8-800 | PACKING, INSULATOR | 1 | - | - | - | BL, HX, HXU, HX2, HX26, LAC, LH, LHB2, LHP1, LHQ4, LJ, LJC1, LJG, LSK, LVL, LX2, LX4, NDJ, NJ, NJC1, NJG, NMB, NTB, NTU, NW, NX, PX, PXU, QAB2, QD, QG2, QH, QHP1, QHQ4, QH26, QH4, QJF, QJF1, QM, QTP, QTP2, QVL, QX, QXB2, QXC9, QXE2, QXE4, QXE6, QXE8, QXF1, QXH4, QXS2, QXU, QX2, QX26, QX4, QX7, RH, RHA2, RHQ4, RH2, RH26, RJE, RMG2, RX, RXU, RX2, RX4, SD, SDB2, SH, SHQ4, SJ, SJG, SMC4, SMG1, SMG2, SM11, SM12, SM14, SM21, SM22, SM24, SWG4, SX, SXE4, SXU, SX4, SX7, TX, TXU, TXU1, TX2, VEE1, VEN1, VES1, VGG2, VMG1, VSD, VSD7, VX, VVK, VXU, VXU1, VX2, VX4 | |
| 17 | 16220-ZE1-020 | SPACER COMP., CARBURETOR | 1 | - | 1 | 1 | BL, HX, HXU, HX2, HX26, LAC, LH, LHB2, LHP1, LHQ4, LJ, LJC1, LJG, LSK, LVL, LX2, LX4, NDJ, NJ, NJC1, NJG, NMB, NTB, NTU, NW, NX, PX, PXU, QAB2, QD, QG2, QH, QHP1, QHQ4, QH26, QH4, QJF, QJF1, QM, QTP, QTP2, QVL, QX, QXB2, QXC9, QXE2, QXE4, QXE6, QXE8, QXF1, QXH4, QXS2, QXU, QX2, QX26, QX4, QX7, RH, RHA2, RHQ4, RH2, RH26, RJE, RMG2, RX, RXU, RX2, RX4, SD, SDB2, SH, SHQ4, SJ, SJG, SMC4, SMG1, SMG2, SM11, SM12, SM14, SM21, SM22, SM24, SWG4, SX, SXE4, SXU, SX4, SX7, TX, TXU, TXU1, TX2, VEE1, VEN1, VES1, VGG2, VMG1, VSD, VSD7, VX, VVK, VXU, VXU1, VX2, VX4 | |
| 18 | 16221-ZH8-801 | PACKING, CARBURETOR | 1 | - | - | - | BL, HX, HXU, HX2, HX26, LAC, LH, LHB2, LHP1, LHQ4, LJ, LJC1, LJG, LSK, LVL, LX2, LX4, NDJ, NJ, NJC1, NJG, NMB, NTB, NTU, NW, NX, PX, PXU, QAB2, QD, QG2, QH, QHP1, QHQ4, QH26, QH4, QJF, QJF1, QM, QTP, QTP2, QVL, QX, QXB2, QXC9, QXE2, QXE4, QXE6, QXE8, QXF1, QXH4, QXS2, QXU, QX2, QX26, QX4, QX7, RH, RHA2, RHQ4, RH2, RH26, RJE, RMG2, RX, RXU, RX2, RX4, SD, SDB2, SH, SHQ4, SJ, SJG, SMC4, SMG1, SMG2, SM11, SM12, SM14, SM21, SM22, SM24, SWG4, SX, SXE4, SXU, SX4, SX7, TX, TXU, TXU1, TX2, VEE1, VEN1, VES1, VGG2, VMG1, VSD, VSD7, VX, VVK, VXU, VXU1, VX2, VX4 | |
| 19 | 16582-883-300 | HOLDER, CONTROL CABLE | 1 | - | 1 | 1 | NJC1, NMB, NTB, NTU, QH4, QJF1, QTP2, QXF1, QXH4, SMG1, SMG2, SWG4 | |
| 20 | 16598-ZE1-000 | STAY, CHOKE CONTROL | 1 | - | - | - | NJC1, NMB, NTB, NTU, QH4, QJF1, QTP2, QXF1, QXH4, SMG1, SMG2, SWG4 | |



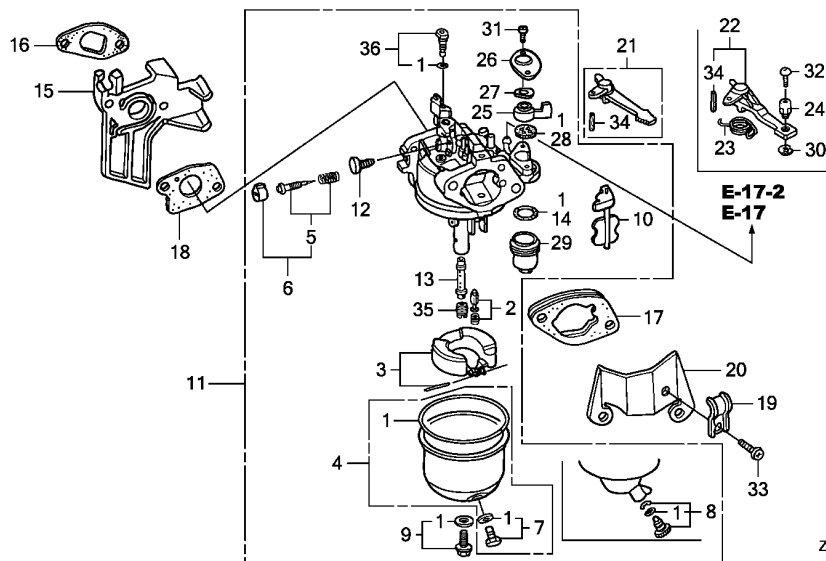


ZK00E1400A



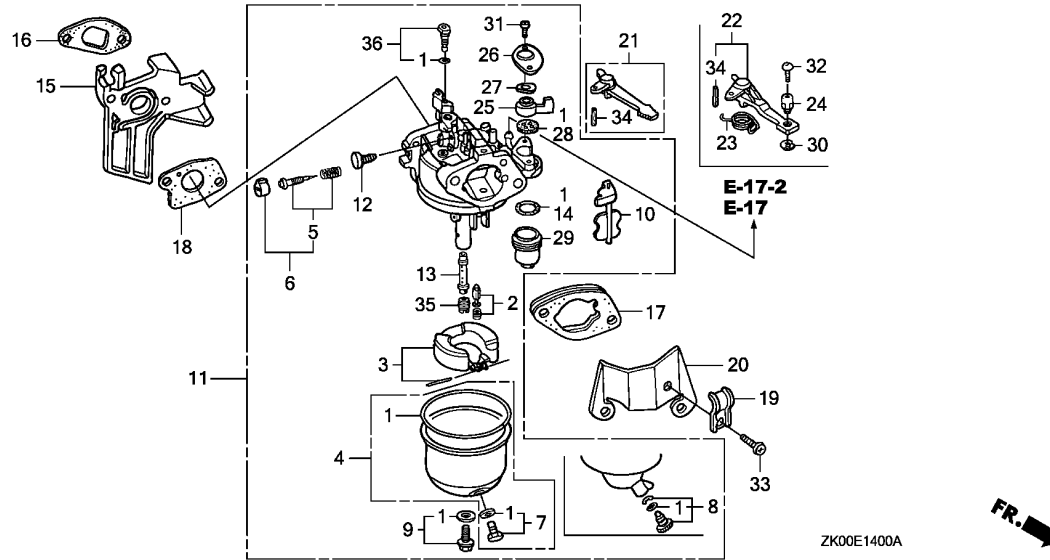
| Ref. No. | Part No. | Description | Reqd. QTY | | | | Serial No. | Parts catalogue code |
|----------|---------------|-------------------------------|-----------|-----|-----|-----|------------|--|
| | | | (1) | (2) | (3) | (4) | | |
| 21 | 16610-ZE1-000 | LEVER COMP., CHOKE (STD.) ... | 1 | - | - | - | ----- | BL, HX, HXU, HX2, HX26, LAC, LH, LHB2, LHP1, LHQ4, LJ, LJC1, LJG, LSK, LVL, LX2, LX4, NDJ, NJ, NJG, NW, NX, PX, PXU, QAB2, QD, QG2, QH, QHP1, QHQ4, QH26, QJF, QM, QTP, QVL, QX, QXB2, QXC9, QXE2, QXE4, QXE6, QXE8, QXS2, QXU, QX2, QX26, QX4, QX7, RH, RHA2, RHQ4, RH2, RH26, RJE, RMG2, RX, RXU, RX2, RX4, SD, SDB2, SH, SHQ4, SJ, SJG, SMC4, SM11, SM12, SM14, SM21, SM22, SM24, SX, SXE4, SXU, SX4, SX7, TX, TXU, TXU1, TX2, VEE1, VEN1, VES1, VGG2, VMG1, VSD, VSD7, VX, V XK, VXU, VXU1, VX2, VX4 |
| 22 | 16610-ZE1-810 | LEVER COMP., CHOKE (REMOTE) . | 1 | - | - | - | ----- | NJC1, NMB, NTB, NTU, QH4, QJF1, QTP2, QXF1, QXH4, SMG1, SMG2, SWG4 |
| 23 | 16615-ZE1-010 | SPRING, RETURN | 1 | - | - | - | ----- | NJC1, NMB, NTB, NTU, QH4, QJF1, QTP2, QXF1, QXH4, SMG1, SMG2, SWG4 |
| 24 | 16617-890-010 | HOLDER, CABLE | 1 | - | - | - | ----- | NJC1, NMB, NTB, NTU, QH4, QJF1, QTP2, QXF1, QXH4, SMG1, SMG2, SWG4 |
| 25 | 16953-ZE1-812 | LEVER, COCK | 1 | - | - | - | ----- | BL, HX, HXU, HX2, HX26, LAC, LH, LHB2, LHP1, LHQ4, LJ, LJC1, LJG, LSK, LVL, LX2, LX4, NDJ, NJ, NJC1, NJG, NMB, NTB, NTU, NW, NX, PX, PXU, QAB2, QD, QG2, QH, QHP1, QHQ4, QH26, QH4, QJF, QJF1, QM, QTP, QTP2, QVL, QX, QXB2, QXC9, QXE2, QXE4, QXE6, QXE8, QXF1, QXH4, QXS2, QXU, QX2, QX26, QX4, QX7, RH, RHA2, RHQ4, RH2, RH26, RJE, RMG2, RX, RXU, RX2, RX4, SD, SDB2, SH, SHQ4, SJ, SJG, SMC4, SMG1, SMG2, SM11, SM12, SM14, SM21, SM22, SM24, SWG4, SX, SXE4, SXU, SX4, SX7, TX, TXU, TXU1, TX2, VEE1, VEN1, VES1, VGG2, VMG1, VSD, VSD7, VX, V XK, VXU, VXU1, VX2, VX4 |
| | | | - | - | 1 | 1 | | |

| Ref. No. | Part No. | Description | Reqd. QTY | | | | Serial No. | Parts catalogue code |
|----------|----------------|----------------------------|-----------|-----|-----|-----|---|----------------------|
| | | | (1) | (2) | (3) | (4) | | |
| 26 | 16954-ZE1-812 | PLATE, LEVER SETTING | 1 | - | - | - | BL, HX, HXU, HX2, HX26, LAC, LH, LHB2, LHP1, LHQ4, LJ, LJC1, LJG, LSK, LVL, LX2, LX4, NDJ, NJ, NJC1, NJG, NMB, NTB, NTU, NW, NX, PX, PXU, QAB2, QD, QG2, QH, QHP1, QHQ4, QH26, QH4, QJF, QJF1, QM, QTP, QTP2, QVL, QX, QXB2, QXC9, QXE2, QXE4, QXE6, QXE8, QXF1, QXH4, QXS2, QXU, QX2, QX26, QX4, QX7, RH, RHA2, RHQ4, RH2, RH26, RJE, RMG2, RX, RXU, RX2, RX4, SD, SDB2, SH, SHQ4, SJ, SJG, SMC4, SMG1, SMG2, SM11, SM12, SM14, SM21, SM22, SM24, SWG4, SX, SXE4, SXU, SX4, SX7, TX, TXU, TXU1, TX2, VEE1, VEN1, VES1, VGG2, VMG1, VSD, VSD7, VX, VVK, VXU, VXU1, VX2, VX4 | |
| 27 | 16956-ZE1-811 | SPRING, COCK LEVER | 1 | - | 1 | 1 | BL, HX, HXU, HX2, HX26, LAC, LH, LHB2, LHP1, LHQ4, LJ, LJC1, LJG, LSK, LVL, LX2, LX4, NDJ, NJ, NJC1, NJG, NMB, NTB, NTU, NW, NX, PX, PXU, QAB2, QD, QG2, QH, QHP1, QHQ4, QH26, QH4, QJF, QJF1, QM, QTP, QTP2, QVL, QX, QXB2, QXC9, QXE2, QXE4, QXE6, QXE8, QXF1, QXH4, QXS2, QXU, QX2, QX26, QX4, QX7, RH, RHA2, RHQ4, RH2, RH26, RJE, RMG2, RX, RXU, RX2, RX4, SD, SDB2, SH, SHQ4, SJ, SJG, SMC4, SMG1, SMG2, SM11, SM12, SM14, SM21, SM22, SM24, SWG4, SX, SXE4, SXU, SX4, SX7, TX, TXU, TXU1, TX2, VEE1, VEN1, VES1, VGG2, VMG1, VSD, VSD7, VX, VVK, VXU, VXU1, VX2, VX4 | |
| 28 | 16957-ZE1-812 | PACKING, FUEL COCK | 1 | - | 1 | 1 | BL, HX, HXU, HX2, HX26, LAC, LH, LHB2, LHP1, LHQ4, LJ, LJC1, LJG, LSK, LVL, LX2, LX4, NDJ, NJ, NJC1, NJG, NMB, NTB, NTU, NW, NX, PX, PXU, QAB2, QD, QG2, QH, QHP1, QHQ4, QH26, QH4, QJF, QJF1, QM, QTP, QTP2, QVL, QX, QXB2, QXC9, QXE2, QXE4, QXE6, QXE8, QXF1, QXH4, QXS2, QXU, QX2, QX26, QX4, QX7, RH, RHA2, RHQ4, RH2, RH26, RJE, RMG2, RX, RXU, RX2, RX4, SD, SDB2, SH, SHQ4, SJ, SJG, SMC4, SMG1, SMG2, SM11, SM12, SM14, SM21, SM22, SM24, SWG4, SX, SXE4, SXU, SX4, SX7, TX, TXU, TXU1, TX2, VEE1, VEN1, VES1, VGG2, VMG1, VSD, VSD7, VX, VVK, VXU, VXU1, VX2, VX4 | |
| 29 | 16967-ZE0-811 | CUP, FUEL STRAINER | 1 | - | 1 | 1 | BL, HX, HXU, HX2, HX26, LAC, LH, LHB2, LHP1, LHQ4, LJ, LJC1, LJG, LSK, LVL, LX2, LX4, NDJ, NJ, NJC1, NJG, NMB, NTB, NTU, NW, NX, PX, PXU, QAB2, QG2, QH, QHP1, QHQ4, QH26, QH4, QJF, QJF1, QTP, QTP2, QVL, QX, QXBR, QXB2, QXC9, QXE2, QXE4, QXE6, QXE8, QXF1, QXH4, QXS2, QXU, QX2, QX26, QX4, QX7, RH, RHA2, RHQ4, RH2, RH26, RJE, RMG2, RX, RXU, RX2, RX4, SH, SHQ4, SJ, SJG, SMC4, SMG1, SMG2, SM11, SM12, SM14, SM21, SM22, SM24, SWG4, SX, SXE4, SXU, SX4, SX7, TX, TXBR, TXU, TXU1, TX2, VEE1, VEN1, VES1, VGG2, VMG1, VSD, VSD7, VX, VVK, VXU, VXU1, VX2, VX4 | |
| 30 | 90605-230-000 | CIRCLIP, 5MM | 1 | - | 1 | - | NJC1, NMB, NTB, NTU, QH4, QJF1, QTP2, QXF1, QXH4, SMG1, SMG2, SWG4 | |
| 31 | 93500-03006-1H | SCREW, PAN, 3X6 | 2 | - | - | - | BL, HX, HXU, HX2, HX26, LAC, LH, LHB2, LHP1, LHQ4, LJ, LJC1, LJG, LSK, LVL, LX2, LX4, NDJ, NJ, NJC1, NJG, NMB, NTB, NTU, NW, NX, PX, PXU, QAB2, QD, QG2, QH, QHP1, QHQ4, QH26, QH4, QJF, QJF1, QM, QTP, QTP2, QVL, QX, QXB2, QXC9, QXE2, QXE4, QXE6, QXE8, QXF1, QXH4, QXS2, QXU, QX2, QX26, QX4, QX7, RH, RHA2, RHQ4, RH2, RH26, RJE, RMG2, RX, RXU, RX2, RX4, SD, SDB2, SH, SHQ4, SJ, SJG, SMC4, SMG1, SMG2, SM11, SM12, SM14, SM21, SM22, SM24, SWG4, SX, SXE4, SXU, SX4, SX7, TX, TXU, TXU1, TX2, VEE1, VEN1, VES1, VGG2, VMG1, VSD, VSD7, VX, VVK, VXU, VXU1, VX2, VX4 | |
| 32 | 93500-04008-0A | SCREW, PAN, 4X8 | 1 | - | 2 | 2 | NJC1, NMB, NTB, NTU, QH4, QJF1, QTP2, QXF1, QXH4, SMG1, SMG2, SWG4 | |
| 33 | 93500-05008-0A | SCREW, PAN, 5X8 | 1 | - | - | - | NJC1, NMB, NTB, NTU, QH4, QJF1, QTP2, QXF1, QXH4, SMG1, SMG2, SWG4 | |
| 34 | 94305-20122 | PIN, SPRING, 2X12 | 1 | - | - | - | BL, HX, HXU, HX2, HX26, LAC, LH, LHB2, LHP1, LHQ4, LJ, LJC1, LJG, LSK, LVL, LX2, LX4, NDJ, NJ, NJC1, NJG, NMB, NTB, NTU, NW, NX, PX, PXU, QAB2, QD, QG2, QH, QHP1, QHQ4, QH26, QH4, QJF, QJF1, QM, QTP, QTP2, QVL, QX, QXB2, QXC9, QXE2, QXE4, QXE6, QXE8, QXF1, QXH4, QXS2, QXU, QX2, QX26, QX4, QX7, RH, RHA2, RHQ4, RH2, RH26, RJE, RMG2, RX, RXU, RX2, RX4, SD, SDB2, SH, SHQ4, SJ, SJG, SMC4, SMG1, SMG2, SM11, SM12, SM14, SM21, SM22, SM24, SWG4, SX, SXE4, SXU, SX4, SX7, TX, TXU, TXU1, TX2, VEE1, VEN1, VES1, VGG2, VMG1, VSD, VSD7, VX, VVK, VXU, VXU1, VX2, VX4 | |
| | | | - | - | 1 | 1 | | |



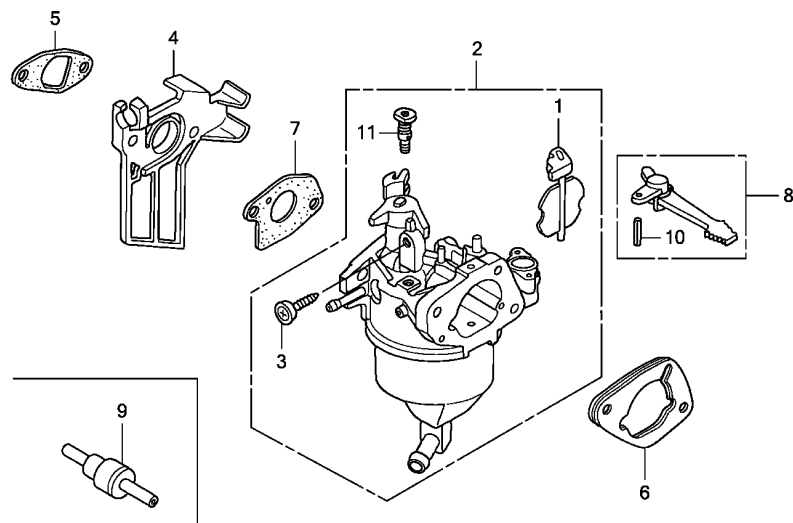
FR. →

| Ref. No. | Part No. | Description | Reqd. QTY | | | | Serial No. | Parts catalogue code |
|----------|------------------|----------------|-----------|-----|-----|-----|------------|---|
| | | | (1) | (2) | (3) | (4) | | |
| 35 | 99101-ZH8-0680 | JET, MAIN, #68 | (1) | - | - | (1) | | HX, HXU, HX2, HX26, LH, LHB2, LHP1, LHQ4, LX2, LX4, NDJ, NX, PX, PXU, QG2, QH, QHP1, QHQ4, QH26, QTP, QX, QXBR, QXB2, QXE2, QXE4, QXE6, QXE8, QXS2, QXU, QX2, QX26, QX4, QX7, RH, RHA2, RHQ4, RH2, RH26, RJE, RMG2, RX, RXU, RX2, RX4, SH, SHQ4, SMC4, SMG1, SM11, SM12, SM14, SM21, SM22, SM24, SWG4, SX, SXE4, SXU, SX4, SX7, TX, TXBR, TXU, TXU1, TX2, VEE1, VEN1, VES1, VGG2, VMG1, VSD, VSD7, VX, VXBR, VXX, VXU, VXU1, VX2, VX4 |
| | 99101-ZH8-0700 | JET, MAIN, #70 | (1) | - | - | - | | BL, HX, HXU, HX2, HX26, LAC, LH, LHB2, LHP1, LHQ4, LJ, LJC1, LJG, LSK, LVL, LX2, LX4, NDJ, NJ, NJC1, NJG, NMB, NTB, NTU, NW, NX, PX, PXU, QAB2, QD, QG2, QH, QHP1, QHQ4, QH26, QH4, QJF, QJF1, QM, QTP, QTP2, QVL, QX, QXB2, QXC9, QXE2, QXE4, QXE6, QXE8, QXF1, QXH4, QXS2, QXU, QX2, QX26, QX4, QX7, RH, RHA2, RHQ4, RH2, RH26, RJE, RMG2, RX, RXU, RX2, RX4, SD, SDB2, SH, SHQ4, SJ, SJG, SMC4, SMG1, SMG2, SM11, SM12, SM14, SM21, SM22, SM24, SWG4, SX, SXE4, SXU, SX4, SX7, TX, TXU, TXU1, TX2, VEE1, VEN1, VES1, VGG2, VMG1, VSD, VSD7, VX, VXX, VXU, VXU1, VX2, VX4 |
| | 99101-ZH8-0720 | JET, MAIN, #72 | - | - | (1) | (1) | | HX, HXU, HX2, HX26, LH, LHB2, LHP1, LHQ4, LX2, LX4, NX, PX, PXU, QG2, QH, QHP1, QHQ4, QH26, QTP, QX, QXBR, QXB2, QXE2, QXE4, QXE6, QXE8, QXS2, QXU, QX2, QX26, QX4, QX7, RH, RHA2, RHQ4, RH2, RH26, RJE, RMG2, RX, RXU, RX2, RX4, SH, SHQ4, SMC4, SMG1, SM11, SM12, SM14, SM21, SM22, SM24, SWG4, SX, SXE4, SXU, SX4, SX7, TX, TXBR, TXU, TXU1, TX2, VEE1, VEN1, VES1, VGG2, VMG1, VSD, VSD7, VX, VXBR, VXX, VXU, VXU1, VX2, VX4 |
| | (CARBURETOR NO.) | | 1 | - | - | - | BE64B B | NDJ |
| | | | (1) | - | - | (1) | | BL, LAC, LJ, LJC1, LJG, LSK, LVL, NJ, NJC1, NJG, NMB, NTB, NTU, NW, QAB2, QD, QDBR, QH4, QJF, QJF1, QM, QTP2, QVL, QXC9, QXF1, QXH4, SD, SDB2, SJ, SJG, SMG2 |
| | | | - | - | (1) | - | | |



| Ref. No. | Part No. | Description | Reqd. QTY | | | | Serial No. | Parts catalogue code |
|----------|----------------|---------------------------|-----------|-----|-----|-----|---------------|--|
| | | | (1) | (2) | (3) | (4) | | |
| 35) | 99101-ZH8-0750 | JET, MAIN, #75 | 1 | - | - | 1 | ----- | BL,LAC,LJ,LJC1,LJG,LSK,LVL,NJ,NJC1,NJG,NMB,NTB,NTU,NW,QAB2,QD,QDBR,QH4,QJF,QJF1,QM,QTP2,QVL,QXC9,QXF1,QXH4,SD,SDB2,SJ,SJG,SMG2 |
| | | (CARBURETOR NO.) | 1 | - | - | - | BE64B C ----- | NDJ |
| 36 | 99204-ZA0-0450 | JET SET, PILOT, #45 | 1 | - | - | - | ----- | BL,HX,HXU,HX2,HX26,LAC,LH,LHB2,LHP1,LHQ4,LJ,LJC1,LJG,LSK,LVL,LX2,LX4,NDJ,NJ,NJC1,NJG,NMB,NTB,NTU,NW,NX,PX,PXU,QAB2,QD,QG2,QH,QHP1,QHQ4,QH26,QH4,QJF,QJF1,QM,QTP,QTP2,QVL,QX,QXB2,QXC9,QXE2,QXE4,QXE6,QXE8,QXF1,QXH4,QXS2,QXU,QX2,QX26,QX4,QX7,RH,RHA2,RHQ4,RH2,RH26,RJE,RMG2,RX,RXU,RX2,RX4,SD,SDB2,SH,SHQ4,SJ,SJG,SMC4,SMG1,SMG2,SM11,SM12,SM14,SM21,SM22,SM24,SWG4,SX,SXE4,SXU,SX4,SX7,TX,TXU,TXU1,TX2,VEE1,VEN1,VES1,VGG2,VMG1,VSD,VSD7,VX,VXK,VXU,VXU1,VX2,VX4 |
| | | | - | - | 1 | 1 | | |





| Ref. No. | L.O.N. | (Relative ref. Number) Description | F.R.T. |
|----------|--------|---|--------|
| 2 | 3111F3 | CARBURETOR | 0.2 |
| 4 | 3111C0 | (5) INSULATOR, CARBURETOR AND/OR PACKING, INSULATOR | 0.2 |
| 6 | 3111D9 | SPACER, CARBURETOR | 0.2 |
| 7 | 3111C8 | PACKING, CARBURETOR | 0.2 |
| 8 | 8101F9 | LEVER, CARBURETOR CHOKE | 0.2 |
| 9 | 311175 | VALVE, DASHPOT CHECK | 0.1 |

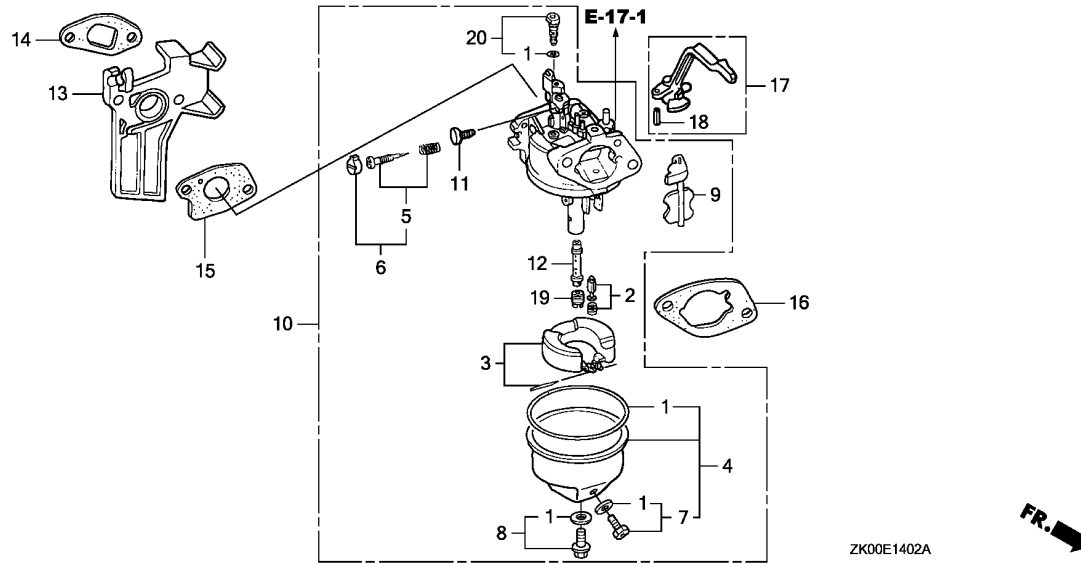
2

| Ref. No. | Part No. | Description | Reqd. QTY | | | | Serial No. | Parts catalogue code |
|----------|----------------|---------------------------------|-----------|-----|-----|-----|------------|----------------------|
| | | | (1) | (2) | (3) | (4) | | |
| 1 | 16044-ZL0-831 | CHOKE SET | - | 1 | - | - | | |
| 2 | 16100-ZL0-831 | CARBURETOR ASSY. (BEL1A A) .. | - | 1 | - | - | | |
| 3 | 16124-ZE0-005 | SCREW, THROTTLE STOP | - | 1 | - | - | | |
| 4 | 16211-ZL0-000 | INSULATOR, CARBURETOR | - | 1 | - | - | | |
| 5 | 16212-ZH8-800 | PACKING, INSULATOR | - | 1 | - | - | | |
| 6 | 16220-ZE1-020 | SPACER COMP., CARBURETOR | - | 1 | - | - | | |
| 7 | 16221-ZH8-801 | PACKING, CARBURETOR | - | 1 | - | - | | |
| 8 | 16610-ZE1-000 | LEVER COMP., CHOKE (STD.) | - | 1 | - | - | | |
| 9 | 36135-PH3-004 | VALVE, DASHPOT CHECK | - | (1) | - | - | | |
| 10 | 94305-20122 | PIN, SPRING, 2X12 | - | 1 | - | - | | |
| 11 | 99104-ZL0-0350 | JET, PILOT, #35 | - | 1 | - | - | | |

E-14-2

CARBURETOR(3)

F13



| Ref. No. | L.O.N. | (Relative ref. Number) Description | F.R.T. |
|----------|--------|---|--------|
| 1 | 3111B1 | GASKET SET, CARBURETOR (3) | 0.3 |
| 2 | 3111E1 | VALVE SET, FLOAT AND/OR FLOAT SET | 0.3 |
| 4 | 3111A3 | CHAMBER SET, FLOAT AND/OR GASKET, FLOAT CHAMBER (5) | 0.2 |
| 6 | 3111D7 | SCREW SET, PILOT | 0.2 |
| 10 | 3111F3 | CARBURETOR (14) | 0.2 |
| 13 | 3111C0 | INSULATOR, CARBURETOR AND/OR PACKING, INSULATOR | 0.2 |
| 15 | 3111C8 | PACKING, CARBURETOR | 0.2 |
| 16 | 3121D9 | PACKING, AIR CLEANER | 0.2 |
| 17 | 8101F9 | LEVER, CARBURETOR CHOKE | 0.2 |
| 19 | 3111C3 | JET, MAIN | 0.3 |

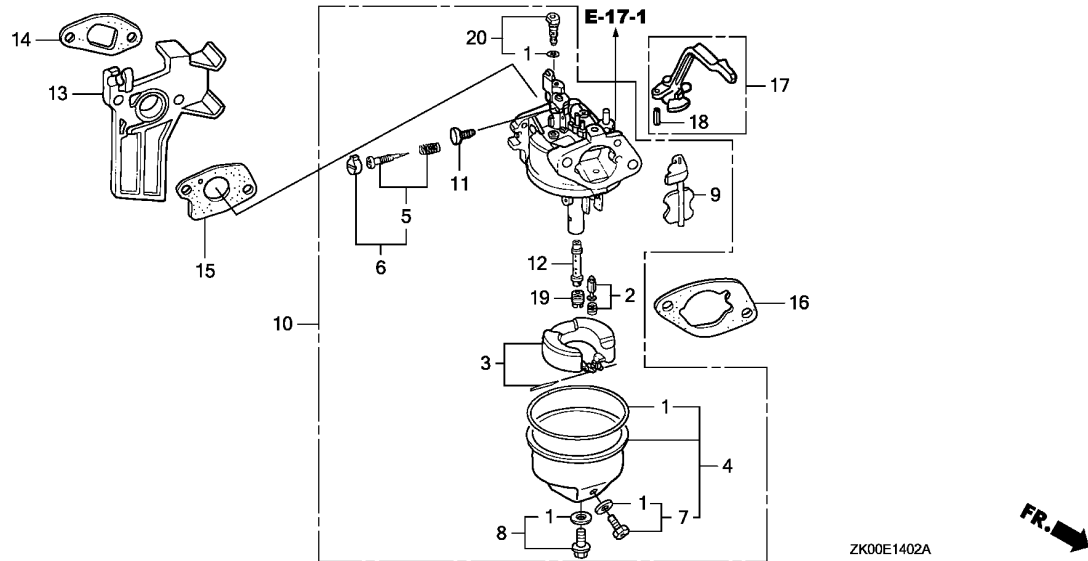
| Ref. No. | Part No. | Description | Reqd. QTY | | | | Serial No. | Parts catalogue code |
|----------|----------------|-----------------------------------|-----------|-----|-----|-----|--|----------------------|
| | | | (1) | (2) | (3) | (4) | | |
| 1 | 16010-ZB1-015 | GASKET SET | 1 | - | - | - | VEN, VEN2, VEN4, VES, VMT, VPM4, VSD1, VSD2, VSW, VSW1, VS17 | |
| 2 | 16011-ZE0-005 | VALVE SET, FLOAT | 1 | - | - | - | VEN, VEN2, VEN4, VES, VMT, VPM4, VSD1, VSD2, VSW, VSW1, VS17 | |
| 3 | 16013-ZE0-005 | FLOAT SET | 1 | - | - | - | VEN, VEN2, VEN4, VES, VMT, VPM4, VSD1, VSD2, VSW, VSW1, VS17 | |
| 4 | 16015-ZE0-831 | CHAMBER SET, FLOAT | 1 | - | - | - | VEN, VEN2, VEN4, VES, VMT, VPM4, VSD1, VSD2, VSW, VSW1, VS17 | |
| 5 | 16016-ZE0-005 | SCREW SET, PILOT (CARBURETOR NO.) | 1 | - | - | - | BE74A B VEN, VEN4, VES, VMT, VSD1, VS17 | |
| 6 | 16016-ZH7-W01 | SCREW SET, PILOT (CARBURETOR NO.) | 1 | - | - | - | VEN2, VPM4, VSD2, VSW, VSW1 | |
| 7 | 16024-ZE1-811 | SCREW SET, DRAIN | 1 | - | - | - | BE74A C VEN, VEN4, VES, VMT, VSD1, VS17 | |
| 8 | 16028-ZE0-005 | SCREW SET | 1 | - | - | - | VEN, VEN2, VEN4, VES, VMT, VPM4, VSD1, VSD2, VSW, VSW1, VS17 | |
| 9 | 16044-ZE0-005 | CHOKE SET | 1 | - | - | - | VEN, VEN2, VEN4, VES, VMT, VPM4, VSD1, VSD2, VSW, VSW1, VS17 | |
| 10 | 16100-ZK0-U01 | CARBURETOR ASSY. (BE74H A) | 1 | - | - | - | VEN2, VPM4, VSD2 | |
| | 16100-ZL0-V31 | CARBURETOR ASSY. (BE74A B) | 1 | - | - | - | 1977199 VEN, VEN4, VES, VMT, VSD1, VS17 | |
| | 16100-ZL0-V32 | CARBURETOR ASSY. (BE74A C) | 1 | - | - | - | 1977200 VEN, VEN4, VES, VMT, VSD1, VS17 | |
| | 16100-ZK0-V51 | CARBURETOR ASSY. (BE74L A) | 1 | - | - | - | 2075991 VSW | |
| | | | 1 | - | - | - | VSW1 | |
| | | | 1 | - | - | - | 2075992 VSW | |
| 11 | 16124-ZE0-005 | SCREW, THROTTLE STOP | 1 | - | - | - | VEN, VEN2, VEN4, VES, VMT, VPM4, VSD1, VSD2, VSW, VSW1, VS17 | |
| 12 | 16166-ZL0-000 | NOZZLE, MAIN | 1 | - | - | - | VEN, VEN2, VEN4, VES, VMT, VPM4, VSD1, VSD2, VSW, VSW1, VS17 | |
| 13 | 16211-ZL0-000 | INSULATOR, CARBURETOR | 1 | - | - | - | VEN, VEN2, VEN4, VES, VMT, VPM4, VSD1, VSD2, VSW, VSW1, VS17 | |
| 14 | 16212-ZH8-800 | PACKING, INSULATOR | 1 | - | - | - | VEN, VEN2, VEN4, VES, VMT, VPM4, VSD1, VSD2, VSW, VSW1, VS17 | |
| 15 | 16221-ZH8-801 | PACKING, CARBURETOR | 1 | - | - | - | VEN, VEN2, VEN4, VES, VMT, VPM4, VSD1, VSD2, VSW, VSW1, VS17 | |
| 16 | 16269-ZE1-800 | PACKING, AIR CLEANER | 1 | - | - | - | VEN, VEN2, VEN4, VES, VMT, VPM4, VSD1, VSD2, VSW, VSW1, VS17 | |
| 17 | 16610-ZB2-000 | LEVER COMP., CHOKE | 1 | - | - | - | VEN, VEN2, VEN4, VES, VMT, VPM4, VSD1, VSD2, VSW, VSW1, VS17 | |
| 18 | 94305-20122 | PIN, SPRING, 2X12 | 1 | - | - | - | VEN, VEN2, VEN4, VES, VMT, VPM4, VSD1, VSD2, VSW, VSW1, VS17 | |
| 19 | 99101-ZH8-0720 | JET, MAIN, #72 | (1) | - | - | - | VEN, VEN2, VEN4, VES, VMT, VPM4, VSD1, VSD2, VSW, VSW1, VS17 | |

2

E-14-2

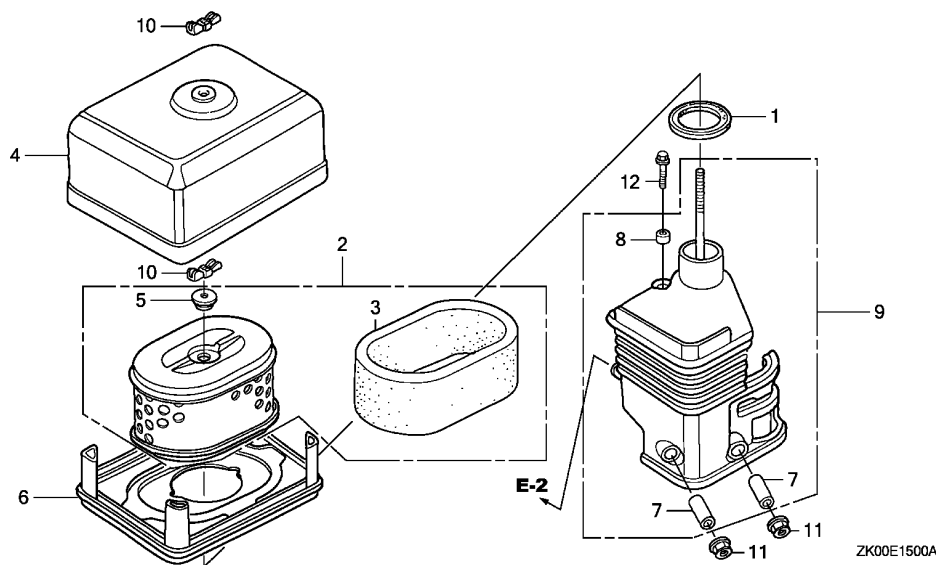
CARBURETOR(3)

F14



2

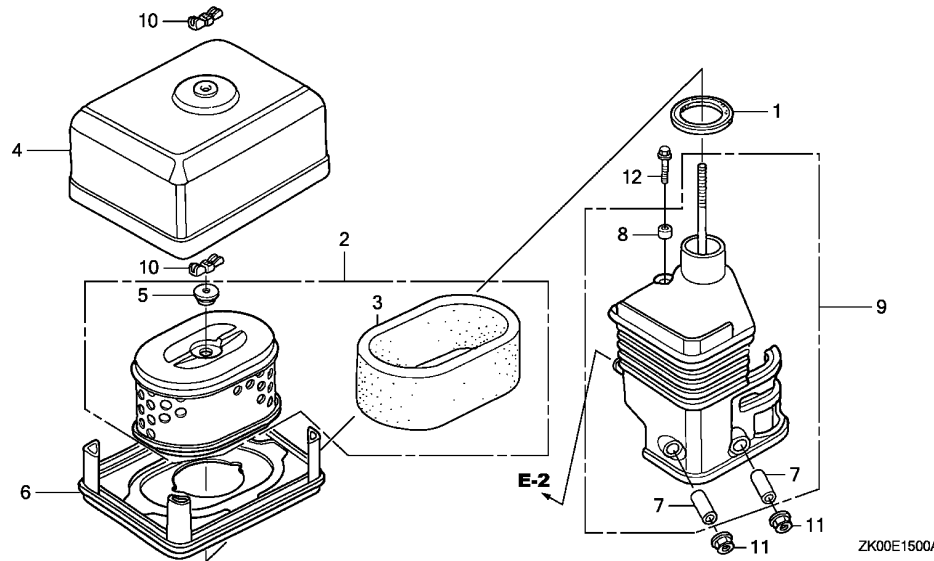
| Ref. No. | Part No. | Description | Reqd. QTY | | | | Serial No. | Parts catalogue code |
|----------|----------------|---------------------|-----------|-----|-----|-----|------------|--|
| | | | (1) | (2) | (3) | (4) | | |
| 19) | 99101-ZH8-0750 | JET, MAIN, #75 | (1) | - | - | - | ----- | VEN, VEN2, VEN4, VES, VMT, VPM4, VSD1, VSD2, VSW, VSW1, VS17 |
| | 99101-ZH8-0780 | JET, MAIN, #78 | 1 | - | - | - | ----- | VEN, VEN2, VEN4, VES, VMT, VPM4, VSD1, VSD2, VSW, VSW1, VS17 |
| 20 | 99204-ZE2-0400 | JET SET, PILOT, #40 | 1 | - | - | - | ----- | VEN, VEN2, VEN4, VES, VMT, VPM4, VSD1, VSD2, VSW, VSW1, VS17 |



| Ref. No. | L.O.N. | (Relative ref. Number) Description | F.R.T. |
|----------|--------|------------------------------------|--------|
| 1 | 3121E1 | PACKING, ELBOW | 0.1 |
| 2 | 3121B8 | ELEMENT, AIR CLEANER | 0.1 |
| 3 | 3121C1 | FILTER, OUTER | 0.1 |
| 6 | 3121D6 | NOSE, SILENCER | 0.1 |
| 9 | 3121B4 | ELBOW, AIR CLEANER | 0.1 |

| Ref. No. | Part No. | Description | Reqd. QTY | | | | Serial No. | Parts catalogue code | |
|----------|---------------|-------------------------------|-----------|-----|-----|-----|--|----------------------|-----|
| | | | (1) | (2) | (3) | (4) | | | |
| 1 | 16271-ZE1-000 | PACKING, ELBOW | 1 | - | - | 1 | HX, HXU, HX2, HX26, LH, LHB2, LHP1, LHQ4, LX2, LX4, NX, PX, PXU, QG2, QH, QHP1, QHQ4, QH26, QTP, QX, QXBR, QXB2, QXE2, QXE4, QXE6, QXE8, QXS2, QXU, QX2, QX26, QX4, QX7, RH, RHA2, RHQ4, RH2, RH26, RJE, RMG2, RX, RXU, RX2, RX4, SH, SHQ4, SMC4, SMG1, SM11, SM12, SM14, SM21, SM22, SM24, SWG4, SX, SXE4, SXU, SX4, SX7, TX, TXBR, TXU, TXU1, TX2, VEE1, VEN1, VES1, VGG2, VMG1, VSD, VSD7, VX, VXBR, VVK, VXU, VXU1, VX2, VX4 | 1907885 | NDJ |
| 2 | 17210-ZE1-822 | ELEMENT, AIR CLEANER (DUAL) - | 1 | - | - | 1 | HX, HXU, HX2, HX26, LH, LHB2, LHP1, LHQ4, LX2, LX4, NX, PX, PXU, QG2, QH, QHP1, QHQ4, QH26, QTP, QX, QXBR, QXB2, QXE2, QXE4, QXE6, QXE8, QXS2, QXU, QX2, QX26, QX4, QX7, RH, RHA2, RHQ4, RH2, RH26, RJE, RMG2, RX, RXU, RX2, RX4, SH, SHQ4, SMC4, SMG1, SM11, SM12, SM14, SM21, SM22, SM24, SWG4, SX, SXE4, SXU, SX4, SX7, TX, TXBR, TXU, TXU1, TX2, VEE1, VEN1, VES1, VGG2, VMG1, VSD, VSD7, VX, VXBR, VVK, VXU, VXU1, VX2, VX4 | 1907885 | NDJ |
| 3 | 17218-ZE1-821 | FILTER, OUTER | 1 | - | - | 1 | HX, HXU, HX2, HX26, LH, LHB2, LHP1, LHQ4, LX2, LX4, NX, PX, PXU, QG2, QH, QHP1, QHQ4, QH26, QTP, QX, QXBR, QXB2, QXE2, QXE4, QXE6, QXE8, QXS2, QXU, QX2, QX26, QX4, QX7, RH, RHA2, RHQ4, RH2, RH26, RJE, RMG2, RX, RXU, RX2, RX4, SH, SHQ4, SMC4, SMG1, SM11, SM12, SM14, SM21, SM22, SM24, SWG4, SX, SXE4, SXU, SX4, SX7, TX, TXBR, TXU, TXU1, TX2, VEE1, VEN1, VES1, VGG2, VMG1, VSD, VSD7, VX, VXBR, VVK, VXU, VXU1, VX2, VX4 | 1907885 | NDJ |





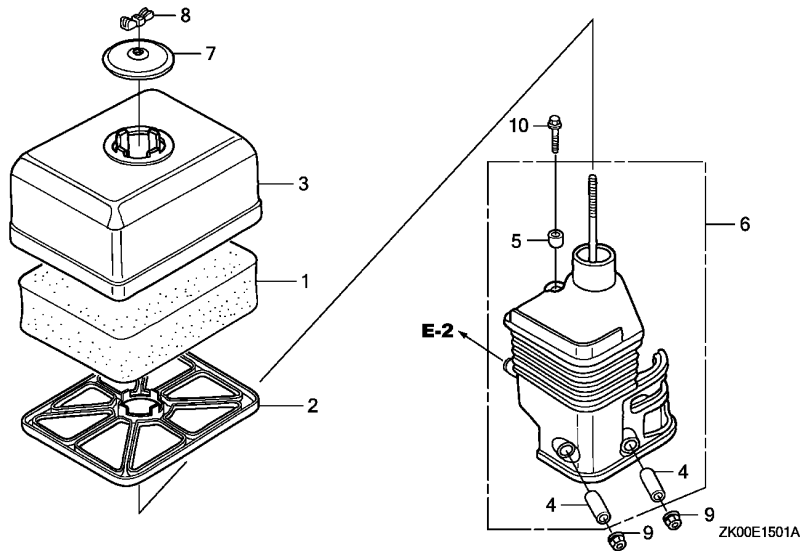
| Ref. No. | Part No. | Description | Reqd. QTY | | | | Serial No. | Parts catalogue code |
|----------|---------------|-------------------------------|-----------|-----|-----|-----|------------|--|
| | | | (1) | (2) | (3) | (4) | | |
| 4 | 17230-ZE1-820 | COVER, AIR CLEANER (DUAL) ... | 1 | - | - | 1 | ----- | HX, HXU, HX2, HX26, LH, LHB2, LHP1, LHQ4, LX2, LX4, NX, PX, PXU, QG2, QH, QHP1, QHQ4, QH26, QTP, QX, QXBR, QXB2, QXE2, QXE4, QXE6, QXE8, QXS2, QXU, QX2, QX26, QX4, QX7, RH, RHA2, RHQ4, RH2, RH26, RJE, RMG2, RX, RXU, RX2, RX4, SH, SHQ4, SMC4, SMG1, SM11, SM12, SM14, SM21, SM22, SM24, SWG4, SX, SXE4, SXU, SX4, SX7, TX, TXBR, TXU, TXU1, TX2, VEE1, VEN1, VES1, VGG2, VMG1, VSD, VSD7, VX, VXBR, VVK, VXU, VXU1, VX2, VX4 |
| | | | 1 | - | - | - | ----- | 1907885 NDJ |
| 5 | 17232-891-000 | GROMMET, AIR CLEANER | 1 | - | - | 1 | ----- | HX, HXU, HX2, HX26, LH, LHB2, LHP1, LHQ4, LX2, LX4, NX, PX, PXU, QG2, QH, QHP1, QHQ4, QH26, QTP, QX, QXBR, QXB2, QXE2, QXE4, QXE6, QXE8, QXS2, QXU, QX2, QX26, QX4, QX7, RH, RHA2, RHQ4, RH2, RH26, RJE, RMG2, RX, RXU, RX2, RX4, SH, SHQ4, SMC4, SMG1, SM11, SM12, SM14, SM21, SM22, SM24, SWG4, SX, SXE4, SXU, SX4, SX7, TX, TXBR, TXU, TXU1, TX2, VEE1, VEN1, VES1, VGG2, VMG1, VSD, VSD7, VX, VXBR, VVK, VXU, VXU1, VX2, VX4 |
| | | | 1 | - | - | - | ----- | 1907885 NDJ |
| | | | - | 1 | - | - | ----- | |
| 6 | 17235-ZE1-831 | NOSE, SILENCER | 1 | - | - | 1 | ----- | HX, HXU, HX2, HX26, LH, LHB2, LHP1, LHQ4, LX2, LX4, NX, PX, PXU, QG2, QH, QHP1, QHQ4, QH26, QTP, QX, QXBR, QXB2, QXE2, QXE4, QXE6, QXE8, QXS2, QXU, QX2, QX26, QX4, QX7, RH, RHA2, RHQ4, RH2, RH26, RJE, RMG2, RX, RXU, RX2, RX4, SH, SHQ4, SMC4, SMG1, SM11, SM12, SM14, SM21, SM22, SM24, SWG4, SX, SXE4, SXU, SX4, SX7, TX, TXBR, TXU, TXU1, TX2, VEE1, VEN1, VES1, VGG2, VMG1, VSD, VSD7, VX, VXBR, VVK, VXU, VXU1, VX2, VX4 |
| | | | 1 | - | - | - | ----- | 1907885 NDJ |
| | | | - | 1 | - | - | ----- | |

| Ref. No. | Part No. | Description | Reqd. QTY | | | | Serial No. | Parts catalogue code |
|----------|----------------|-------------------------------|-----------|-----|-----|-----|---|----------------------|
| | | | (1) | (2) | (3) | (4) | | |
| 7 | 17238-ZE7-010 | COLLAR, AIR CLEANER | 2 | - | - | 2 | HX, HXU, HX2, HX26, LH, LHB2, LHP1, LHQ4, LX2, LX4, NX, PX, PXU, QG2, QH QHP1, QHQ4, QH26, QTP, QX, QXBR, QXB2, QXE2, QXE4, QXE6, QXE8, QXS2, QXU QX2, QX26, QX4, QX7, RH, RHA2, RHQ4, RH2, RH26, RJE, RMG2, RX, RXU, RX2, RX4 SH, SHQ4, SMC4, SMG1, SM11, SM12, SM14, SM21, SM22, SM24, SWG4, SX, SXE4 SXU, SX4, SX7, TX, TXBR, TXU, TXU1, TX2, VEE1, VEN1, VES1, VGG2, VMG1, VSD VSD7, VX, VXBR, VVK, VXU, VXU1, VX2, VX4 | |
| | | | 2 | - | - | - | 1907885 NDJ | |
| | | | - | 2 | - | - | | |
| 8 | 17239-ZE1-000 | COLLAR B, AIR CLEANER | 1 | - | - | 1 | HX, HXU, HX2, HX26, LH, LHB2, LHP1, LHQ4, LX2, LX4, NX, PX, PXU, QG2, QH QHP1, QHQ4, QH26, QTP, QX, QXBR, QXB2, QXE2, QXE4, QXE6, QXE8, QXS2, QXU QX2, QX26, QX4, QX7, RH, RHA2, RHQ4, RH2, RH26, RJE, RMG2, RX, RXU, RX2, RX4 SH, SHQ4, SMC4, SMG1, SM11, SM12, SM14, SM21, SM22, SM24, SWG4, SX, SXE4 SXU, SX4, SX7, TX, TXBR, TXU, TXU1, TX2, VEE1, VEN1, VES1, VGG2, VMG1, VSD VSD7, VX, VXBR, VVK, VXU, VXU1, VX2, VX4 | |
| | | | 1 | - | - | - | 1907885 NDJ | |
| | | | - | 1 | - | - | | |
| 9 | 17410-ZE1-020 | ELBOW COMP., AIR CLEANER | 1 | - | - | 1 | HX, HXU, HX2, HX26, LH, LHB2, LHP1, LHQ4, LX2, LX4, NX, PX, PXU, QG2, QH QHP1, QHQ4, QH26, QTP, QX, QXBR, QXB2, QXE2, QXE4, QXE6, QXE8, QXS2, QXU QX2, QX26, QX4, QX7, RH, RHA2, RHQ4, RH2, RH26, RJE, RMG2, RX, RXU, RX2, RX4 SH, SHQ4, SMC4, SMG1, SM11, SM12, SM14, SM21, SM22, SM24, SWG4, SX, SXE4 SXU, SX4, SX7, TX, TXBR, TXU, TXU1, TX2, VEE1, VEN1, VES1, VGG2, VMG1, VSD VSD7, VX, VXBR, VVK, VXU, VXU1, VX2, VX4 | |
| | | | 1 | - | - | - | 1907885 NDJ | |
| | | | - | 1 | - | - | | |
| 10 | 90325-044-000 | NUT, TOOL BOX SETTING | 2 | - | - | 2 | HX, HXU, HX2, HX26, LH, LHB2, LHP1, LHQ4, LX2, LX4, NX, PX, PXU, QG2, QH QHP1, QHQ4, QH26, QTP, QX, QXBR, QXB2, QXE2, QXE4, QXE6, QXE8, QXS2, QXU QX2, QX26, QX4, QX7, RH, RHA2, RHQ4, RH2, RH26, RJE, RMG2, RX, RXU, RX2, RX4 SH, SHQ4, SMC4, SMG1, SM11, SM12, SM14, SM21, SM22, SM24, SWG4, SX, SXE4 SXU, SX4, SX7, TX, TXBR, TXU, TXU1, TX2, VEE1, VEN1, VES1, VGG2, VMG1, VSD VSD7, VX, VXBR, VVK, VXU, VXU1, VX2, VX4 | |
| | | | 2 | - | - | - | 1907885 NDJ | |
| | | | - | 2 | - | - | | |
| 11 | 94050-06000 | NUT, FLANGE, 6MM | 2 | - | - | 2 | HX, HXU, HX2, HX26, LH, LHB2, LHP1, LHQ4, LX2, LX4, NX, PX, PXU, QG2, QH QHP1, QHQ4, QH26, QTP, QX, QXBR, QXB2, QXE2, QXE4, QXE6, QXE8, QXS2, QXU QX2, QX26, QX4, QX7, RH, RHA2, RHQ4, RH2, RH26, RJE, RMG2, RX, RXU, RX2, RX4 SH, SHQ4, SMC4, SMG1, SM11, SM12, SM14, SM21, SM22, SM24, SWG4, SX, SXE4 SXU, SX4, SX7, TX, TXBR, TXU, TXU1, TX2, VEE1, VEN1, VES1, VGG2, VMG1, VSD VSD7, VX, VXBR, VVK, VXU, VXU1, VX2, VX4 | |
| | | | 2 | - | - | - | 1907885 NDJ | |
| | | | - | 2 | - | - | | |
| 12 | 95701-06020-00 | BOLT, FLANGE, 6X20 | 1 | - | - | 1 | HX, HXU, HX2, HX26, LH, LHB2, LHP1, LHQ4, LX2, LX4, NX, PX, PXU, QG2, QH QHP1, QHQ4, QH26, QTP, QX, QXBR, QXB2, QXE2, QXE4, QXE6, QXE8, QXS2, QXU QX2, QX26, QX4, QX7, RH, RHA2, RHQ4, RH2, RH26, RJE, RMG2, RX, RXU, RX2, RX4 SH, SHQ4, SMC4, SMG1, SM11, SM12, SM14, SM21, SM22, SM24, SWG4, SX, SXE4 SXU, SX4, SX7, TX, TXBR, TXU, TXU1, TX2, VEE1, VEN1, VES1, VGG2, VMG1, VSD VSD7, VX, VXBR, VVK, VXU, VXU1, VX2, VX4 | |
| | | | 1 | - | - | - | 1907885 NDJ | |
| | | | - | 1 | - | - | | |



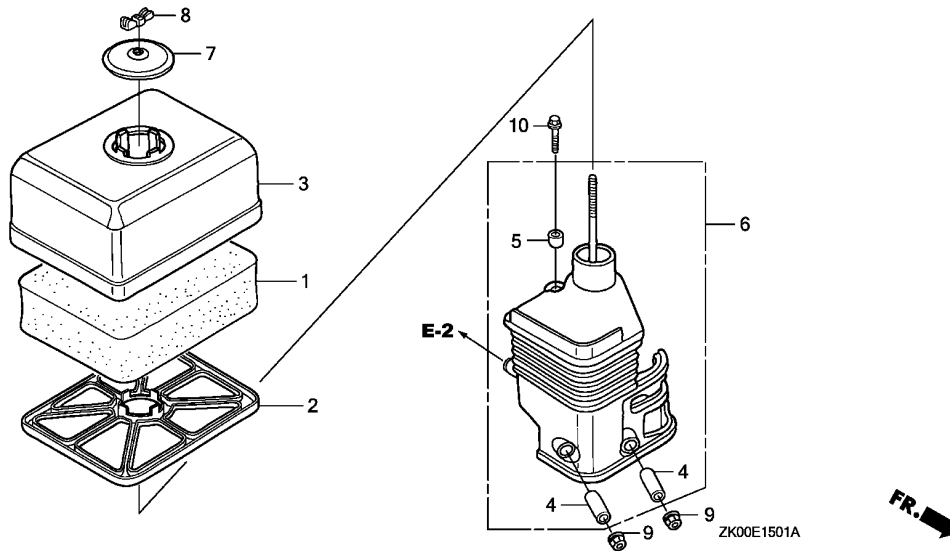
E-15-1

AIR CLEANER(SEMI DRY)



| Ref. No. | L.O.N. | (Relative ref. Number) Description | F.R.T. |
|----------|--------|------------------------------------|--------|
| 1 | 3121B8 | ELEMENT, AIR CLEANER | 0.1 |
| 6 | 3121B4 | ELBOW, AIR CLEANER | 0.1 |

| Ref. No. | Part No. | Description | Reqd. QTY | | | | Serial No. | Parts catalogue code |
|----------|---------------|---------------------------------|-----------|-----|-----|-----|--|----------------------|
| | | | (1) | (2) | (3) | (4) | | |
| 1 | 17211-ZE1-000 | ELEMENT, AIR CLEANER (SEMI DRY) | 1 | - | - | 1 | LJ,LJC1,LJG,LSK,NJ,NJC1,NJG,NMB,NTB,NTU,QD,QDBR,QJF,QJF1,QM QXF1,SD,SDB2,SJ,SJG,SMG2 | |
| 2 | 17212-ZE1-000 | GRID, AIR CLEANER (SEMI DRY) | 1 | - | - | 1 | LJ,LJC1,LJG,LSK,NJ,NJC1,NJG,NMB,NTB,NTU,QD,QDBR,QJF,QJF1,QM QXF1,SD,SDB2,SJ,SJG,SMG2 | |
| 3 | 17231-ZE1-000 | COVER, AIR CLEANER (SEMI DRY) | 1 | - | - | 1 | LJ,LJC1,LJG,LSK,NJ,NJC1,NJG,NMB,NTB,NTU,QD,QDBR,QJF,QJF1,QM QXF1,SD,SDB2,SJ,SJG,SMG2 | |
| 4 | 17238-ZE7-010 | COLLAR, AIR CLEANER | 2 | - | - | 2 | LJ,LJC1,LJG,LSK,NJ,NJC1,NJG,NMB,NTB,NTU,QD,QDBR,QJF,QJF1,QM QXF1,SD,SDB2,SJ,SJG,SMG2 | |
| 5 | 17239-ZE1-000 | COLLAR B, AIR CLEANER | 1 | - | - | 1 | LJ,LJC1,LJG,LSK,NJ,NJC1,NJG,NMB,NTB,NTU,QD,QDBR,QJF,QJF1,QM QXF1,SD,SDB2,SJ,SJG,SMG2 | |
| 6 | 17410-ZE1-020 | ELBOW COMP., AIR CLEANER | 1 | - | - | 1 | LJ,LJC1,LJG,LSK,NJ,NJC1,NJG,NMB,NTB,NTU,QD,QDBR,QJF,QJF1,QM QXF1,SD,SDB2,SJ,SJG,SMG2 | |
| 7 | 17421-ZE1-000 | CAP, CLEANER | 1 | - | - | 1 | LJ,LJC1,LJG,LSK,NJ,NJC1,NJG,NMB,NTB,NTU,QD,QDBR,QJF,QJF1,QM QXF1,SD,SDB2,SJ,SJG,SMG2 | |
| 8 | 90325-044-000 | NUT, TOOL BOX SETTING | 1 | - | - | 1 | LJ,LJC1,LJG,LSK,NJ,NJC1,NJG,NMB,NTB,NTU,QD,QDBR,QJF,QJF1,QM QXF1,SD,SDB2,SJ,SJG,SMG2 | |
| 9 | 94050-06000 | NUT, FLANGE, 6MM | 2 | - | - | 2 | LJ,LJC1,LJG,LSK,NJ,NJC1,NJG,NMB,NTB,NTU,QD,QDBR,QJF,QJF1,QM QXF1,SD,SDB2,SJ,SJG,SMG2 | |

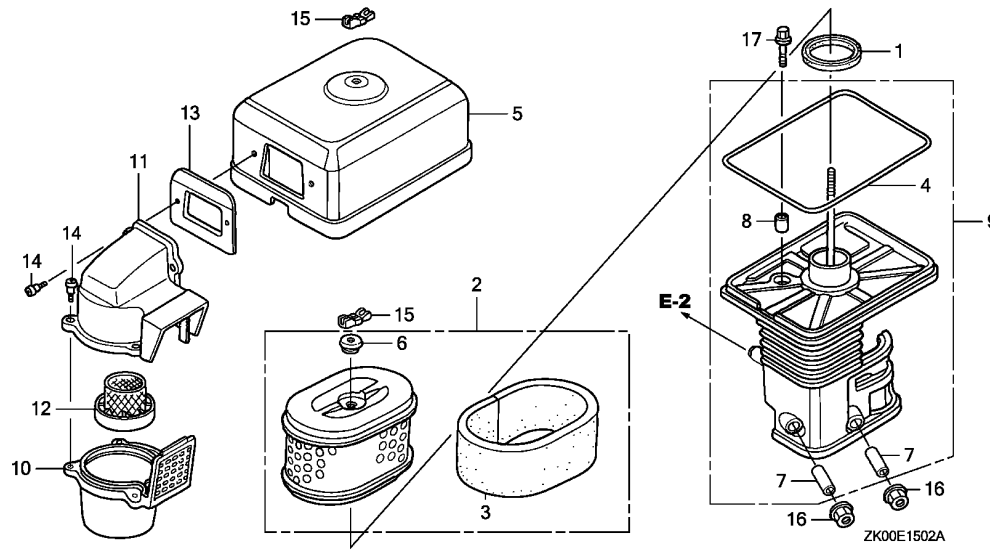


| Ref. No. | Part No. | Description | Reqd. QTY | | | | Serial No. | Parts catalogue code |
|----------|----------------|--------------------------|-----------|--------------|-----|-----|------------|---|
| | | | (1) | GX200 (2) | (3) | (4) | | |
| 10 | 95701-06020-00 | BOLT, FLANGE, 6X20 | 1 | - | - | 1 | ----- | LJ,LJC1,LJG,LSK,NJ,NJC1,NJG,NMB,NTB,NTU,QD,QDBR,QJF,QJF1,QM QXF1,SD,SDB2,SJ,SJG,SMG2 |
| | | | - | - | 1 | - | | |

E-15-2

AIR CLEANER(CYCLONE)

G 4



| Ref. No. | L.O.N. | (Relative ref. Number) Description | F.R.T. |
|----------|--------|------------------------------------|--------|
| 1 | 3121E1 | PACKING, ELBOW | 0.1 |
| 2 | 3121B8 | ELEMENT, AIR CLEANER | 0.1 |
| 3 | 3121C1 | FILTER, OUTER | 0.1 |
| 4 | 3121E0 | PACKING, AIR CLEANER COVER ... | 0.1 |
| 9 | 3121B4 | ELBOW, AIR CLEANER | 0.1 |
| 10 | 3121A6 | CASE, PRE AIR CLEANER | 0.1 |
| 11 | 3121A4 | CAP, PRE AIR CLEANER | 0.1 |
| 12 | 3121C8 | GUIDE, PRE AIR CLEANER | 0.1 |

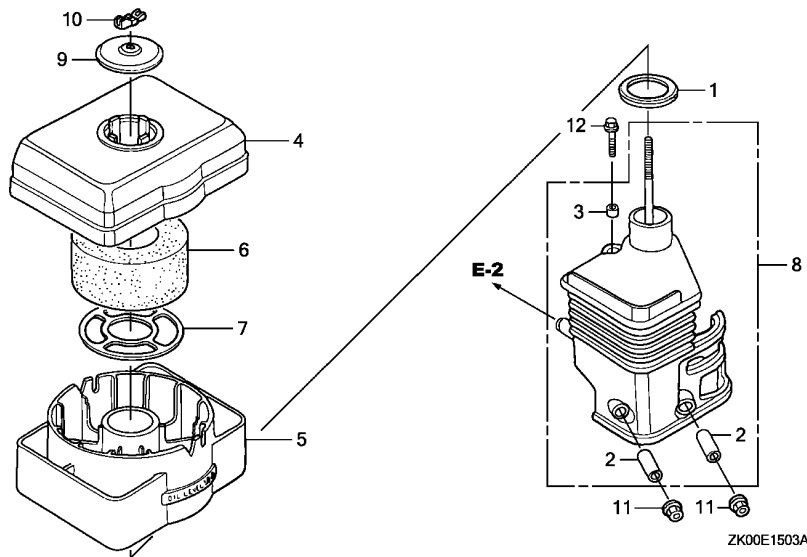
| Ref. No. | Part No. | Description | Reqd. QTY | | | | Serial No. | Parts catalogue code |
|----------|----------------|--------------------------------|-----------|-----------|-----|-----|--------------------|----------------------|
| | | | (1) | GX200 (2) | (3) | (4) | | |
| 1 | 16271-ZE1-000 | PACKING, ELBOW | 1 | - | - | - | QH4,QTP2,QXC9,QXH4 | |
| 2 | 17210-ZE1-822 | ELEMENT, AIR CLEANER (DUAL) .. | 1 | - | - | - | QH4,QTP2,QXC9,QXH4 | |
| 3 | 17218-ZE1-821 | FILTER, OUTER | 1 | - | - | - | QH4,QTP2,QXC9,QXH4 | |
| 4 | 17219-733-010 | PACKING, AIR CLEANER COVER .. | 1 | - | - | - | QH4,QTP2,QXC9,QXH4 | |
| 5 | 17230-ZE1-841 | COVER, AIR CLEANER (DUAL) ... | 1 | - | - | - | QH4,QTP2,QXC9,QXH4 | |
| 6 | 17232-891-000 | GROMMET, AIR CLEANER | 1 | - | - | - | QH4,QTP2,QXC9,QXH4 | |
| 7 | 17238-ZE7-010 | COLLAR, AIR CLEANER | 2 | - | - | - | QH4,QTP2,QXC9,QXH4 | |
| 8 | 17239-733-000 | COLLAR B, AIR CLEANER | 1 | - | - | - | QH4,QTP2,QXC9,QXH4 | |
| 9 | 17410-ZE1-840 | ELBOW COMP., AIR CLEANER | 1 | - | - | - | QH4,QTP2,QXC9,QXH4 | |
| 10 | 17470-ZE1-842 | CASE, PRE AIR CLEANER | 1 | - | - | - | QH4,QTP2,QXC9,QXH4 | |
| 11 | 17475-ZE1-841 | CAP, PRE AIR CLEANER | 1 | - | - | - | QH4,QTP2,QXC9,QXH4 | |
| 12 | 17476-ZE1-841 | GUIDE, PRE AIR CLEANER | 1 | - | - | - | QH4,QTP2,QXC9,QXH4 | |
| 13 | 17478-ZE1-841 | PLATE, PRE AIR CLEANER | 1 | - | - | - | QH4,QTP2,QXC9,QXH4 | |
| 14 | 90300-GB0-900 | BOLT, MUDGUARD | 5 | - | - | - | QH4,QTP2,QXC9,QXH4 | |
| 15 | 90325-044-000 | NUT, TOOL BOX SETTING | 2 | - | - | - | QH4,QTP2,QXC9,QXH4 | |
| 16 | 94050-06000 | NUT, FLANGE, 6MM | 2 | - | - | - | QH4,QTP2,QXC9,QXH4 | |
| 17 | 95701-06020-00 | BOLT, FLANGE, 6X20 | 1 | - | - | - | QH4,QTP2,QXC9,QXH4 | |

2

E-15-3

AIR CLEANER(OIL BATH)

G 5



| Ref. No. | L.O.N. | (Relative ref. Number) Description | F.R.T. |
|----------|--------|------------------------------------|--------|
| 1 | 3121E1 | PACKING, ELBOW | 0.1 |
| 5 | 3121E5 | PAN, AIR CLEANER OIL | 0.1 |
| 6 | 3121B8 | ELEMENT, AIR CLEANER | 0.1 |
| 8 | 3121B4 | ELBOW, AIR CLEANER | 0.1 |

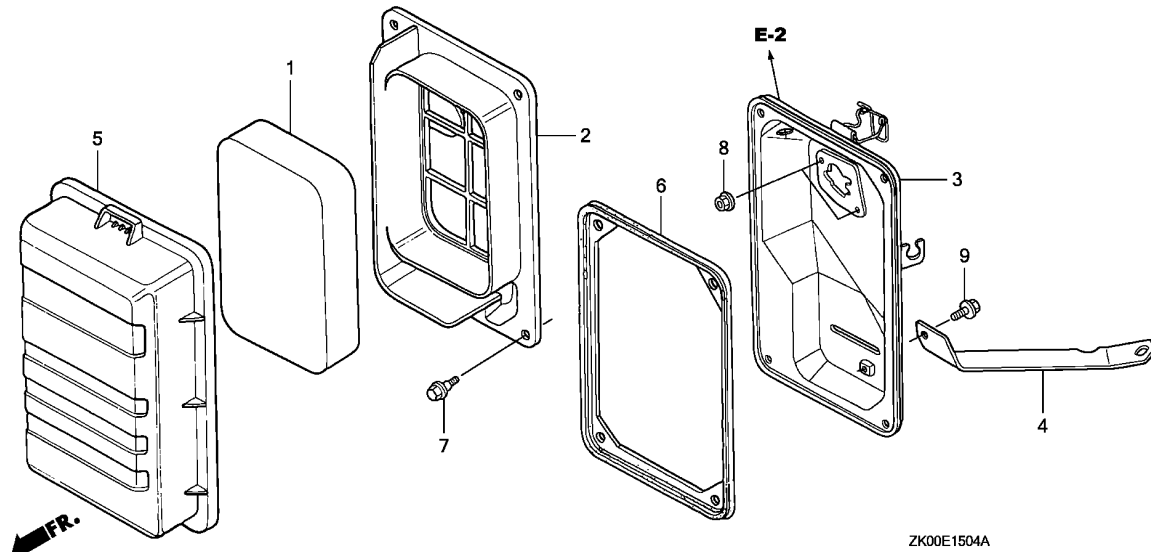
| Ref. No. | Part No. | Description | Reqd. QTY | | | | Serial No. | Parts catalogue code |
|----------|----------------|---------------------------------|-----------|-----|-----|-----|------------------------|----------------------|
| | | | (1) | (2) | (3) | (4) | | |
| 1 | 16271-ZE1-000 | PACKING, ELBOW | 1 | - | - | - | BL,LAC,LVL,NW,QAB2,QVL | |
| 2 | 17238-ZE7-010 | COLLAR, AIR CLEANER | 2 | - | - | - | NDJ | |
| 3 | 17239-ZE1-000 | COLLAR B, AIR CLEANER | 2 | - | - | - | BL,LAC,LVL,NW,QAB2,QVL | |
| 4 | 17401-ZE1-810 | BODY, CLEANER (OIL BATH) | 1 | - | - | - | NDJ | |
| 5 | 17402-ZE1-810 | PAN, CLEANER OIL (OIL BATH) - | 1 | - | - | - | BL,LAC,LVL,NW,QAB2,QVL | |
| 6 | 17403-ZE1-810 | ELEMENT, AIR CLEANER (OIL BATH) | 1 | - | - | - | NDJ | |
| 7 | 17404-841-000 | GRID, AIR CLEANER | 1 | - | - | - | BL,LAC,LVL,NW,QAB2,QVL | |
| 8 | 17410-ZE1-020 | ELBOW COMP., AIR CLEANER | 1 | - | - | - | NDJ | |
| 9 | 17421-ZE1-000 | CAP, CLEANER | 1 | - | - | - | BL,LAC,LVL,NW,QAB2,QVL | |
| 10 | 90325-044-000 | NUT, TOOL BOX SETTING | 1 | - | - | - | NDJ | |
| 11 | 94050-06000 | NUT, FLANGE, 6MM | 2 | - | - | - | BL,LAC,LVL,NW,QAB2,QVL | |
| 12 | 95701-06020-00 | BOLT, FLANGE, 6X20 | 2 | - | - | - | NDJ | |
| | | | 1 | - | - | - | BL,LAC,LVL,NW,QAB2,QVL | |
| | | | 1 | - | - | - | NDJ | |

2

E-15-4

AIR CLEANER(STANDARD)

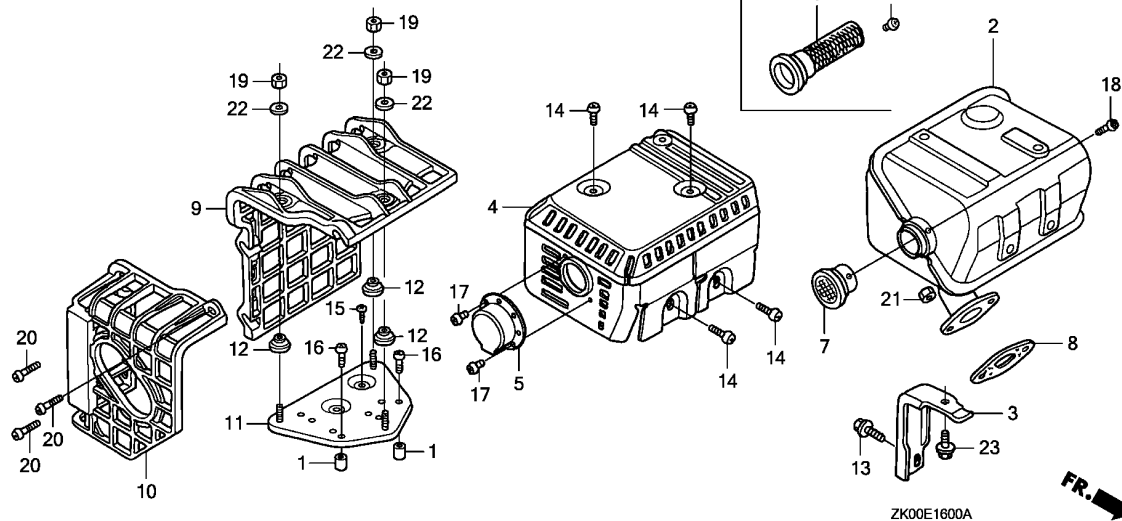
G 6



| Ref. No. | L.O.N. | (Relative ref. Number) Description | F.R.T. |
|----------|--------|------------------------------------|--------|
| 1 | 3121B8 | ELEMENT, AIR CLEANER | 0.1 |
| 2 | 3121F0 | SEPARATOR, AIR CLEANER | 0.1 |
| 3 | 3121A5 | CASE, AIR CLEANER | 0.1 |
| 6 | 3121E8 | SEAL, AIR CLEANER CASE | 0.1 |

| Ref. No. | Part No. | Description | Reqd. QTY | | | | Serial No. | Parts catalogue code |
|----------|----------------|-------------------------------|-----------|-----------|-----|-----|--|----------------------|
| | | | (1) | GX200 (2) | (3) | (4) | | |
| 1 | 17211-ZB2-000 | ELEMENT, AIR CLEANER | 1 | - | - | - | VEN, VEN2, VEN4, VES, VMT, VPM4, VSD1, VSD2, VSW, VSW1, VS17 | |
| 2 | 17212-ZB2-000 | SEPARATOR, AIR CLEANER | 1 | - | - | - | VEN, VEN2, VEN4, VES, VMT, VPM4, VSD1, VSD2, VSW, VSW1, VS17 | |
| 3 | 17220-ZB2-000 | CASE COMP., AIR CLEANER | 1 | - | - | - | VEN, VEN2, VEN4, VES, VMT, VPM4, VSD1, VSD2, VSW, VSW1, VS17 | |
| 4 | 17222-ZL0-V30 | STAY, AIR CLEANER | 1 | - | - | - | VEN, VEN2, VEN4, VES, VMT, VPM4, VSD1, VSD2, VSW, VSW1, VS17 | |
| 5 | 17231-ZB2-000 | COVER, AIR CLEANER | 1 | - | - | - | VEN, VEN2, VEN4, VES, VMT, VPM4, VSD1, VSD2, VSW, VSW1, VS17 | |
| 6 | 17252-ZB2-000 | SEAL, AIR CLEANER | 1 | - | - | - | VEN, VEN2, VEN4, VES, VMT, VPM4, VSD1, VSD2, VSW, VSW1, VS17 | |
| 7 | 90115-459-770 | BOLT, WINKER SETTING | 4 | - | - | - | VEN, VEN2, VEN4, VES, VMT, VPM4, VSD1, VSD2, VSW, VSW1, VS17 | |
| 8 | 94050-06080 | NUT, FLANGE, 6MM | 2 | - | - | - | VEN, VEN2, VEN4, VES, VMT, VPM4, VSD1, VSD2, VSW, VSW1, VS17 | |
| 9 | 95701-06010-00 | BOLT, FLANGE, 6X10 | 1 | - | - | - | VEN, VEN2, VEN4, VES, VMT, VPM4, VSD1, VSD2, VSW, VSW1, VS17 | |

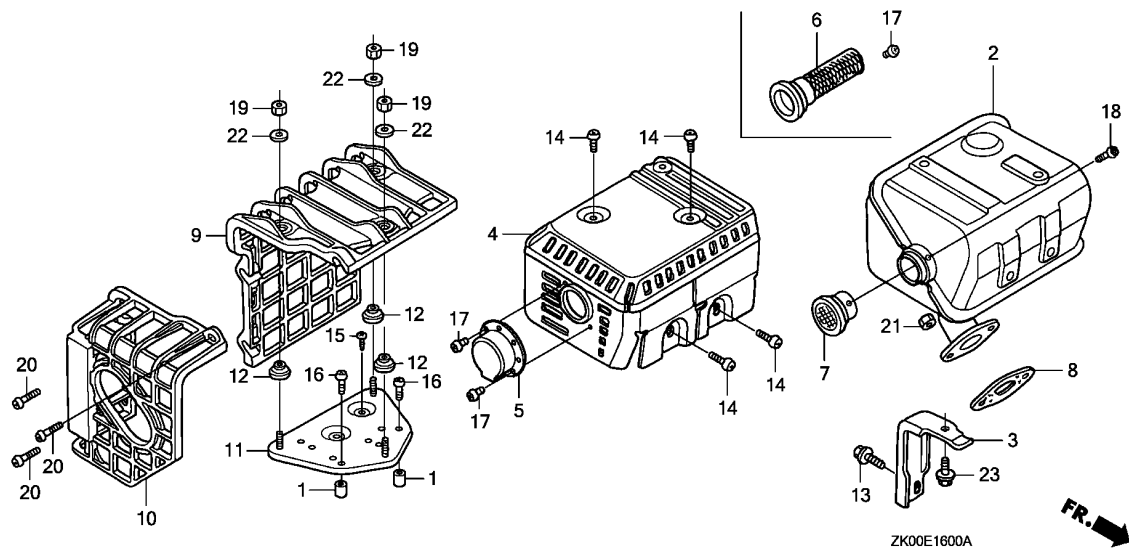
2



| Ref. No. | L.O.N. | (Relative ref. Number) Description | F.R.T. |
|----------|--------|------------------------------------|--------|
| 2 | 3131C5 | MUFFLER, EXHAUST | 0.2 |
| 4 | 3131D6 | PROTECTOR, EXHAUST MUFFLER ... | 0.2 |
| 6 | 3131A1 | ARRESTER, SPARK | 0.2 |
| 8 | 3131B4 | GASKET, EXHAUST MUFFLER | 0.2 |
| 9 | 3131A7 | COVER, EXHAUST MUFFLER | 0.1 |
| 10 | 3131A6 | COVER, EXHAUST MUFFLER :REAR - | 0.1 |
| 11 | 3131A2 | BASE, EXHAUST MUFFLER COVER .. | 0.2 |

| Ref. No. | Part No. | Description | Reqd. QTY | | | | Serial No. | Parts catalogue code |
|----------|---------------|-------------------------------|-----------|-----|-----|-----|--|----------------------|
| | | | (1) | (2) | (3) | (4) | | |
| 1 | 17233-896-701 | COLLAR, AIR CLEANER CASE | (2) | - | - | - | LHQ4, LX4, QHQ4, QXE4, QX4, QX7, RHQ4, RX4, SHQ4, SMC4, SM14, SM24, SXE4, SX4, SX7, VPM4, VSD, VSD1, VSD2, VSD7, VS17, VX4 | |
| 2 | 18310-ZLO-000 | MUFFLER COMP. | 1 | - | - | - | HX, HXU, HX2, HX26, LAC, LH, LHB2, LHP1, LHQ4, LJ, LJC1, LJG, LX2, LX4, NDJ, NJ, NJG, NMB, NTB, NW, NX, PX, PXU, QAB2, QD, QH, QHP1, QHQ4, QH26, QJF, QM, QTP, QTP2, QX, QXB2, QXC9, QXE2, QXE4, QXE6, QXE8, QXS2, QXU, QX2, QX26, QX4, RH, RHA2, RHQ4, RH2, RH26, RX, RXU, RX2, RX4, SD, SDB2, SH, SHQ4, SJ, SJG, SMC4, SMG1, SMG2, SM11, SM12, SM14, SM21, SM22, SM24, SX, SXE4, SXU, SX4, TX, TXU, TX2, VEE1, VEN1, VES1, VMG1, VSD, VX, VXX, VXU, VXU1, VX2, VX4 | |
| | | | (1) | - | - | - | QX7, RMG2, VSD1, VSD7, VS17 | |
| | 18310-ZLO-800 | MUFFLER COMP. (ARRESTER) | 1 | - | - | - | LSK, QG2, QH4, QXH4, RMG2, VGG2 | |
| | 18310-Z8K-870 | MUFFLER COMP. (SILENT) | 1 | - | - | - | QX7, RJE, SX7, VSD7 | |
| 3 | 18315-ZE1-000 | STAY, MUFFLER | 1 | - | - | - | HX, HXU, HX2, HX26, LAC, LH, LHB2, LHP1, LHQ4, LJ, LJC1, LJG, LSK, LX2, LX4, NDJ, NJ, NJG, NMB, NTB, NW, NX, PX, PXU, QAB2, QD, QG2, QH, QHP1, QHQ4, QH26, QH4, QJF, QM, QTP, QTP2, QX, QXB2, QXC9, QXE2, QXE4, QXE6, QXE8, QXH4, QXS2, QXU, QX2, QX26, QX4, QX7, RH, RHA2, RHQ4, RH2, RH26, RJE, RMG2, RX, RXU, RX2, RX4, SD, SDB2, SH, SHQ4, SJ, SJG, SMC4, SM11, SM12, SM14, SM21, SM22, SM24, SX, SXE4, SXU, SX4, SX7, TX, TXU, TXU1, TX2, VEE1, VEN1, VES1, VGG2, VMG1, VSD, VSD7, VX, VXX, VXU, VXU1, VX2, VX4 | |
| 4 | 18320-ZF1-H51 | PROTECTOR, MUFFLER (SILENT) - | 1 | - | - | - | HX, HXU, HX2, HX26, LAC, LH, LHB2, LHP1, LHQ4, LJ, LJC1, LJG, LSK, LX2, LX4, NDJ, NJ, NJG, NMB, NTB, NW, NX, PX, PXU, QAB2, QD, QG2, QH, QHP1, QHQ4, QH26, QH4, QJF, QM, QTP, QTP2, QX, QXB2, QXC9, QXE2, QXE4, QXE6, QXE8, QXH4, QXS2, QXU, QX2, QX26, QX4, QX7, RH, RHA2, RHQ4, RH2, RH26, RJE, RMG2, RX, RXU, RX2, RX4, SD, SDB2, SH, SHQ4, SJ, SJG, SMC4, SMG1, SMG2, SM11, SM12, SM14, SM21, SM22, SM24, SX, SXE4, SXU, SX4, SX7, TX, TXU, TXU1, TX2, VEE1, VEN1, VES1, VGG2, VMG1, VSD, VSD7, VX, VXX, VXU, VXU1, VX2, VX4 | |
| | | | - | 1 | 1 | 1 | | |
| | | | - | 1 | 1 | 1 | | |

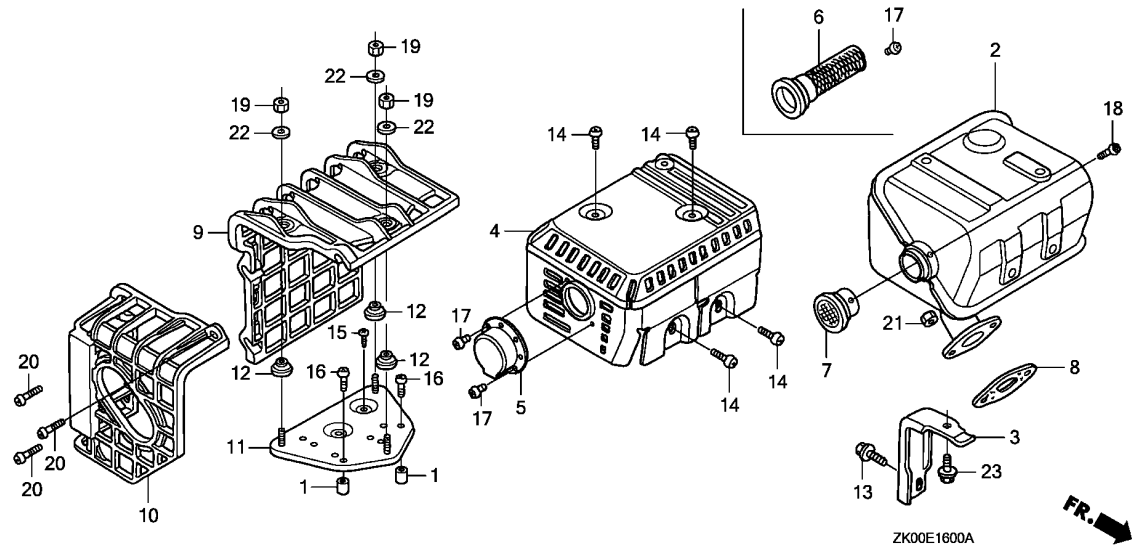




| Ref. No. | Part No. | Description | Reqd. QTY | | | | Serial No. | Parts catalogue code |
|----------|---------------|-------------------------------|-----------|-----|-----|-----|---|----------------------|
| | | | (1) | (2) | (3) | (4) | | |
| 5 | 18331-883-810 | CAP, MUFFLER | 1 | - | - | - | NMB,NTB,NW,QTP,QXC9 | |
| 6 | 18355-ZLO-000 | ARRESTER, SPARK | 1 | - | - | - | LSK,QG2,QH4,QXH4,RMG2,VGG2 HX,HXU,HX2,HX26,LX2,LX4,NX,PX,PXU,QX,QXBR,QXB2,QXE2,QXE4,QXE6 QXE8,QXS2,QXU,QX2,QX26,QX4,QX7,RH,RHA2,RHQ4,RH2,RH26,RX2,SM12 SM22,SXE4,TX,TXBR,TXU,TXU1,TX2,VSD,VSD1,VSD7,VS17,VX,VXBR,VXK VXU,VXU1,VX2,VX4 | |
| 7 | 18361-ZLO-000 | NETTING, WIRE FLANGE | 1 | (1) | - | - | HX,HXU,HX2,HX26,LAC,LH,LHB2,LHP1,LHQ4,LJ,LJC1,LJG,LX2,LX4,NDJ NJ,NJG,NMB,NTB,NW,NX,PX,PXU,QAB2,QD,QH,QHP1,QHQ4,QH26,QJF,QM QTP,QTP2,QX,QXB2,QXC9,QXE2,QXE4,QXE6,QXE8,QXS2,QXU,QX2,QX26 QX4,QX7,RH,RHA2,RHQ4,RH2,RH26,RJE,RX,RXU,RX2,RX4,SD,SDB2,SH SHQ4,SJ,SJG,SMC4,SMG1,SMG2,SM11,SM12,SM14,SM21,SM22,SM24,SX SXE4,SXU,SX4,SX7,TX,TXU,TXU1,TX2,VEE1,VEN1,VES1,VMG1,VSD,VSD7 VX,VXK,VXU,VXU1,VX2,VX4 | |
| 8 | 18381-ZH8-800 | GASKET, MUFFLER | 1 | 1 | 1 | 1 | HX,HXU,HX2,HX26,LAC,LH,LHB2,LHP1,LHQ4,LJ,LJC1,LJG,LSK,LX2,LX4 NDJ,NJ,NJG,NMB,NTB,NW,NX,PX,PXU,QAB2,QD,QG2,QH,QHP1,QHQ4,QH26 QH4,QJF,QM,QTP,QTP2,QX,QXB2,QXC9,QXE2,QXE4,QXE6,QXE8,QXH4,QXS2 QXU,QX2,QX26,QX4,QX7,RH,RHA2,RHQ4,RH2,RH26,RJE,RMG2,RX,RXU,RX2 RX4,SD,SDB2,SH,SHQ4,SJ,SJG,SMC4,SMG1,SMG2,SM11,SM12,SM14,SM21 SM22,SM24,SX,SXE4,SXU,SX4,SX7,TX,TXU,TXU1,TX2,VEE1,VEN1,VES1 VGG2,VMG1,VSD,VSD7,VX,VXK,VXU,VXU1,VX2,VX4 | |
| 9 | 18433-ZH8-W40 | COVER COMP., MUFFLER | (1) | 1 | 1 | 1 | LHQ4,LX4,QHQ4,QXE4,QX4,QX7,RHQ4,RX4,SHQ4,SMC4,SM14,SM24,SXE4 SX4,SX7,VPM4,VSD,VSD1,VSD2,VSD7,VS17,VX4 | |
| 10 | 18434-ZH8-W40 | COVER COMP., MUFFLER RR. | (1) | - | - | - | LHQ4,LX4,QHQ4,QXE4,QX4,QX7,RHQ4,RX4,SHQ4,SMC4,SM14,SM24,SXE4 SX4,SX7,VPM4,VSD,VSD1,VSD2,VSD7,VS17,VX4 | |

| Ref. No. | Part No. | Description | Reqd. QTY | | | | Serial No. | Parts catalogue code |
|----------|----------------|-------------------------------|-----------|-----|-----|-----|--|----------------------|
| | | | (1) | (2) | (3) | (4) | | |
| 11 | 18436-ZH8-W40 | BASE COMP., MUFFLER COVER ... | (1) | - | - | - | LHQ4, LX4, QHQ4, QXE4, QX4, QX7, RHQ4, RX4, SHQ4, SMC4, SM14, SM24, SXE4 SX4, SX7, VPM4, VSD, VSD1, VSD2, VSD7, VS17, VX4 | |
| 12 | 18466-ZH8-W40 | SPACER, MUFFLER COVER | (3) | - | - | - | LHQ4, LX4, QHQ4, QXE4, QX4, QX7, RHQ4, RX4, SHQ4, SMC4, SM14, SM24, SXE4 SX4, SX7, VPM4, VSD, VSD1, VSD2, VSD7, VS17, VX4 | |
| 13 | 90016-ZE1-000 | BOLT, FLANGE, 6X13(CT200) ... | 1 | - | - | - | HX, HXU, HX2, HX26, LAC, LH, LHB2, LHP1, LHQ4, LJ, LJC1, LJG, LSK, LX2, LX4 NDJ, NJ, NJG, NMB, NTB, NW, NX, PX, PXU, QAB2, QD, QG2, QH, QHP1, QHQ4, QH26 QH4, QJF, QM, QTP, QTP2, QX, QXB2, QXC9, QXE2, QXE4, QXE6, QXE8, QXH4, QXS2 QXU, QX2, QX26, QX4, QX7, RH, RHA2, RHQ4, RH2, RH26, RJE, RMG2, RX, RXU, RX2 RX4, SD, SDB2, SH, SHQ4, SJ, SJG, SMC4, SMG1, SMG2, SM11, SM12, SM14, SM21 SM22, SM24, SX, SXE4, SXU, SX4, SX7, TX, TXU, TXU1, TX2, VEE1, VEN1, VES1 VGG2, VMG1, VSD, VSD7, VX, VXX, VXU, VXU1, VX2, VX4 | |
| 14 | 90050-ZE1-000 | SCREW, TAPPING, 5X8 | - | 1 | 1 | 1 | HX, HXU, HX2, HX26, LAC, LH, LHB2, LHP1, LHQ4, LJ, LJC1, LJG, LSK, LX2, LX4 NDJ, NJ, NJG, NMB, NTB, NW, NX, PX, PXU, QAB2, QD, QG2, QH, QHP1, QHQ4, QH26 QH4, QJF, QM, QTP, QTP2, QX, QXB2, QXC9, QXE2, QXE4, QXE6, QXE8, QXH4, QXS2 QXU, QX2, QX26, QX4, QX7, RH, RHA2, RHQ4, RH2, RH26, RJE, RMG2, RX, RXU, RX2 RX4, SD, SDB2, SH, SHQ4, SJ, SJG, SMC4, SMG1, SMG2, SM11, SM12, SM14, SM21 SM22, SM24, SX, SXE4, SXU, SX4, SX7, TX, TXU, TXU1, TX2, VEE1, VEN1, VES1 VGG2, VMG1, VSD, VSD7, VX, VXX, VXU, VXU1, VX2, VX4 | |
| 15 | 90050-ZE1-000 | SCREW, TAPPING, 5X8 | - | 4 | 4 | 4 | LHQ4, LX4, QHQ4, QXE4, QX4, QX7, RHQ4, RX4, SHQ4, SMC4, SM14, SM24, SXE4 SX4, SX7, VPM4, VSD, VSD1, VSD2, VSD7, VS17, VX4 | |
| 16 | 90050-ZH8-W40 | SCREW, TAPPING, 5X25 | (2) | - | - | - | LHQ4, LX4, QHQ4, QXE4, QX4, QX7, RHQ4, RX4, SHQ4, SMC4, SM14, SM24, SXE4 SX4, SX7, VPM4, VSD, VSD1, VSD2, VSD7, VS17, VX4 | |
| 17 | 90055-ZE1-000 | SCREW, TAPPING, 4X6 | 2 | - | - | - | NMB, NTB, NW, QTP, QXC9 | |
| | | | (1) | - | - | (1) | HX, HXU, HX2, HX26, LX2, LX4, NX, PX, PXU, QG2, QX, QXB2, QXE2, QXE4, QXE6, QXE8, QXS2, QXU, QX2, QX26, QX4, QX7, RH, RHA2, RHQ4, RH2, RH26, SM12 SM22, SXE4, TX, TXBR, TXU, TXU1, TX2, VSD, VSD1, VSD7, VS17, VX, VXBR, VXX VXU, VXU1, VX2, VX4 | |
| 18 | 90056-ZL0-000 | SCREW, TAPPING, 4X6 | - | (1) | - | - | HX, HXU, HX2, HX26, LAC, LH, LHB2, LHP1, LHQ4, LJ, LJC1, LJG, LSK, LX2, LX4 NDJ, NJ, NJG, NMB, NTB, NW, NX, PX, PXU, QAB2, QD, QG2, QH, QHP1, QHQ4, QH26 QH4, QJF, QM, QTP, QTP2, QX, QXB2, QXC9, QXE2, QXE4, QXE6, QXE8, QXH4, QXS2 QXU, QX2, QX26, QX4, QX7, RH, RHA2, RHQ4, RH2, RH26, RJE, RMG2, RX, RXU, RX2 RX4, SD, SDB2, SH, SHQ4, SJ, SJG, SMC4, SMG1, SMG2, SM11, SM12, SM14, SM21 SM22, SM24, SX, SXE4, SXU, SX4, SX7, TX, TXU, TXU1, TX2, VEE1, VEN1, VES1 VGG2, VMG1, VSD, VSD7, VX, VXX, VXU, VXU1, VX2, VX4 | |
| 19 | 90302-KF9-900 | NUT, HEX., 5MM | - | 1 | 1 | 1 | LHQ4, LX4, QHQ4, QXE4, QX4, QX7, RHQ4, RX4, SHQ4, SMC4, SM14, SM24, SXE4 SX4, SX7, VPM4, VSD, VSD1, VSD2, VSD7, VS17, VX4 | |
| 20 | 93891-06020-07 | SCREW-WASHER, 6X20 | (3) | - | - | - | LHQ4, LX4, QHQ4, QXE4, QX4, QX7, RHQ4, RX4, SHQ4, SMC4, SM14, SM24, SXE4 SX4, SX7, VPM4, VSD, VSD1, VSD2, VSD7, VS17, VX4 | |
| 21 | 94001-08000-0S | NUT, HEX., 8MM | 2 | - | - | - | HX, HXU, HX2, HX26, LAC, LH, LHB2, LHP1, LHQ4, LJ, LJC1, LJG, LSK, LX2, LX4 NDJ, NJ, NJG, NMB, NTB, NW, NX, PX, PXU, QAB2, QD, QG2, QH, QHP1, QHQ4, QH26 QH4, QJF, QM, QTP, QTP2, QX, QXB2, QXC9, QXE2, QXE4, QXE6, QXE8, QXH4, QXS2 QXU, QX2, QX26, QX4, QX7, RH, RHA2, RHQ4, RH2, RH26, RJE, RMG2, RX, RXU, RX2 RX4, SD, SDB2, SH, SHQ4, SJ, SJG, SMC4, SMG1, SMG2, SM11, SM12, SM14, SM21 SM22, SM24, SX, SXE4, SXU, SX4, SX7, TX, TXU, TXU1, TX2, VEE1, VEN1, VES1 VGG2, VMG1, VSD, VSD7, VX, VXX, VXU, VXU1, VX2, VX4 | |
| 22 | 94103-05700 | WASHER, PLAIN, 5MM | - | 2 | 2 | 2 | LHQ4, LX4, QHQ4, QXE4, QX4, QX7, RHQ4, RX4, SHQ4, SMC4, SM14, SM24, SXE4 SX4, SX7, VPM4, VSD, VSD1, VSD2, VSD7, VS17, VX4 | |





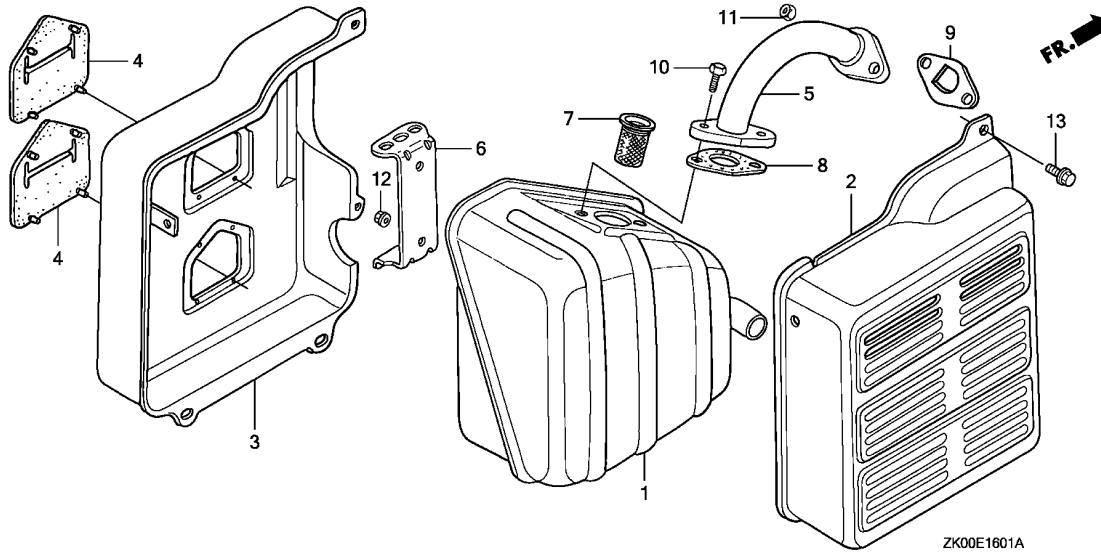
| Ref. No. | Part No. | Description | Reqd. QTY | | | | Serial No. | Parts catalogue code | | | |
|----------|----------------|--------------------|-----------|-----|-----|-----|---|----------------------|---|---|---|
| | | | (1) | (2) | (3) | (4) | | | | | |
| 23 | 95701-06012-00 | BOLT, FLANGE, 6X12 | 1 | - | - | - | HX,HXU,HX2,HX26,LAC,LH,LHB2,LHP1,LHQ4,LJ,LJC1,LJG,LSK,LX2,LX4 NDJ,NJ,NJG,NMB,NTB,NW,NX,PX,PXU,QAB2,QD,QG2,QH,QHP1,QHQ4,QH26 QH4,QJF,QM,QTP,QTP2,QX,QXB2,QXC9,QXE2,QXE4,QXE6,QXE8,QXH4,QXS2 QXU,QX2,QX26,QX4,QX7,RH,RHA2,RHQ4,RH2,RH26,RJE,RMG2,RX,RXU,RX2 RX4,SD,SDB2,SH,SHQ4,SJ,SJG,SMC4,SMG1,SMG2,SM11,SM12,SM14,SM21 SM22,SM24,SX,SXE4,SXU,SX4,SX7,TX,TXU,TXU1,TX2,VEE1,VEN1,VES1 VGG2,VMG1,VSD,VSD7,VX,VXK,VXU,VXU1,VX2,VX4 | - | 1 | 1 | 1 |

2

E-16-1

MUFFLER(2)

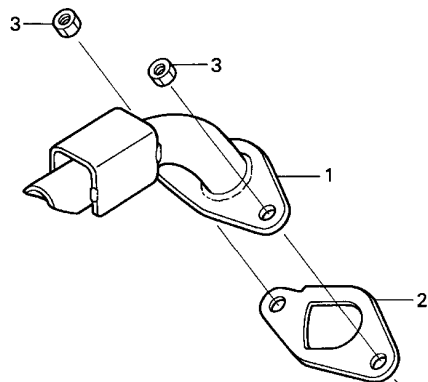
G11



| Ref. No. | L.O.N. | (Relative ref. Number) Description | F.R.T. |
|----------|--------|--|--------|
| 1 | 3131C5 | MUFFLER, EXHAUST | 0.2 |
| 2 | 3131D9 | PROTECTOR, EXHAUST MUFFLER :OUTER | 0.1 |
| 3 | 3131D8 | PROTECTOR, EXHAUST MUFFLER :INNER | 0.2 |
| 4 | 3131G6 | SEAL, MUFFLER PROTECTOR NOTE: Same time for two units | 0.2 |
| 5 | 3131C9 | PIPE, EXHAUST | 0.2 |
| 7 | 3131A1 | ARRESTER, SPARK | 0.2 |
| 8 | 3131B4 | GASKET, EXHAUST MUFFLER (9) | 0.2 |

| Ref. No. | Part No. | Description | Reqd. QTY | | | | Serial No. | Parts catalogue code |
|----------|----------------|----------------------------------|-----------|-----------|-----|-----|---------------------------------------|----------------------|
| | | | (1) | GX200 (2) | (3) | (4) | | |
| 1 | 18310-ZB3-C00 | MUFFLER COMP. | 1 | - | - | - | VEN, VEN4, VES, VMT, VSD1, VS17 | |
| 2 | 18320-ZB2-000 | PROTECTOR, MUFFLER OUTER | 1 | - | - | - | VEN, VEN4, VES, VMT | |
| 3 | 18325-ZB2-000 | PROTECTOR, MUFFLER INNER | 1 | - | - | - | VMT | |
| | 18325-ZH8-T90 | PROTECTOR, MUFFLER INNER (DENYO) | 1 | - | - | - | VEN, VEN4, VES | |
| 4 | 18329-ZB2-000 | SEAL, MUFFLER PROTECTOR | 2 | - | - | - | VEN, VEN4, VES, VMT | |
| 5 | 18330-ZB2-000 | PIPE COMP., EX. | 1 | - | - | - | VES, VMT, VSD1, VS17 | |
| 6 | 18338-ZB3-E30 | STAY, MUFFLER | 1 | - | - | - | VMT | |
| 7 | 18355-898-630 | ARRESTER, SPARK | 1 | - | - | - | VEN2, VSD1, VS17 | |
| 8 | 18381-ZE1-800 | GASKET, MUFFLER | 1 | - | - | - | VEN, VEN4, VES, VMT, VSD1, VS17 | |
| 9 | 18381-ZH8-800 | GASKET, MUFFLER | 1 | - | - | - | VEN, VEN2, VEN4, VES, VMT, VSD1, VS17 | |
| 10 | 92101-08020-0A | BOLT, HEX., 8X20 | 2 | - | - | - | VEN, VEN4, VES, VMT, VSD1, VS17 | |
| 11 | 94001-08000-0S | NUT, HEX., 8MM | 2 | - | - | - | VEN, VEN2, VEN4, VES, VMT, VSD1, VS17 | |
| 12 | 94050-06000 | NUT, FLANGE, 6MM | 3 | - | - | - | VMT | |
| 13 | 95701-06012-00 | BOLT, FLANGE, 6X12 | 5 | - | - | - | VEN, VEN4, VES, VMT | |

2



ZK00-E1602

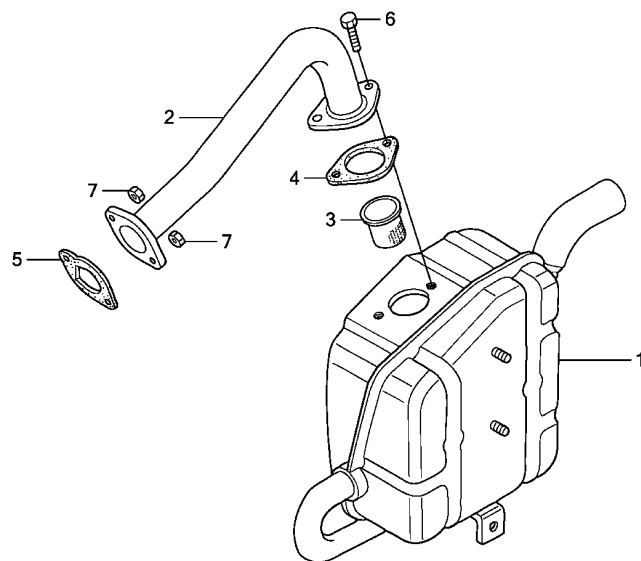
| Ref. No. | L.O.N. | (Relative ref. Number) Description | F.R.T. |
|----------|--------|------------------------------------|--------|
| 1 | 3131G1 | PIPE, EXHAUST(A) | 0.1 |
| 2 | 3131H1 | GASKET, EXHAUST MUFFLER(A) ... | 0.1 |

| Ref. No. | Part No. | Description | Reqd. QTY | | | | Serial No. | Parts catalogue code |
|----------|----------------|-----------------------|-----------|-----------|-----|-----|------------|----------------------|
| | | | (1) | GX200 (2) | (3) | (4) | | |
| 1 | 18310-ZL0-W80 | PIPE, EX. | 1 | - | - | - | ----- | BL,LVL,QVL |
| 2 | 18381-ZH8-800 | GASKET, MUFFLER | 1 | - | - | - | ----- | BL,LVL,QVL |
| 3 | 94001-08000-0S | NUT, HEX., 8MM | 2 | - | - | - | ----- | BL,LVL,QVL |

E-16-3

MUFFLER(4)

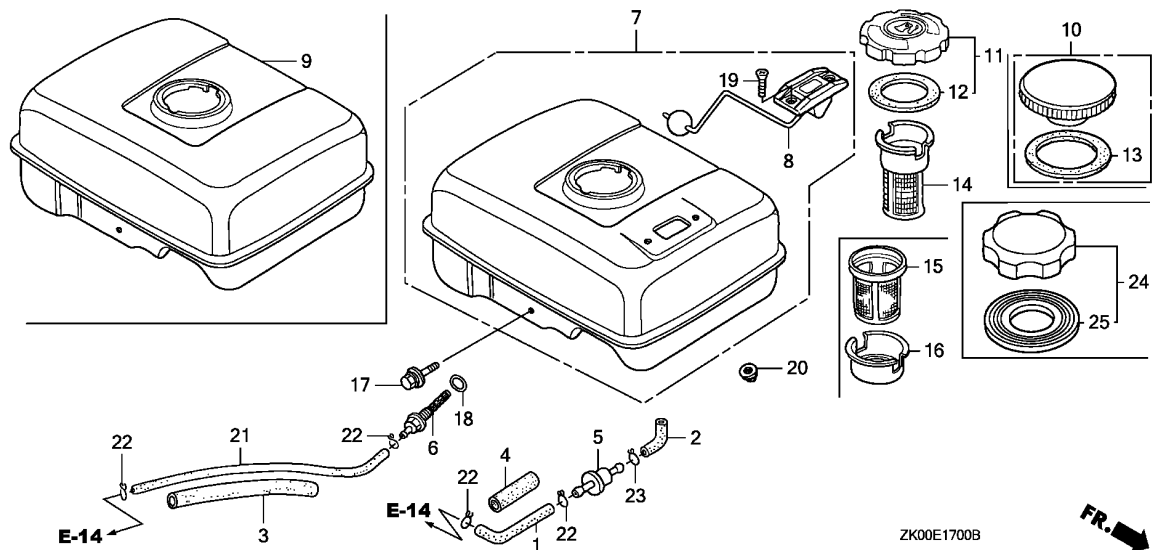
G13



| Ref. No. | L.O.N. | (Relative ref. Number) Description | F.R.T. |
|----------|--------|------------------------------------|--------|
| 1 | 3131C5 | MUFFLER, EXHAUST | 0.2 |
| 2 | 3131C9 | PIPE, EXHAUST | 0.2 |
| 3 | 3131A1 | ARRESTER, SPARK | 0.2 |
| 4 | | (5) | |
| | 3131B4 | GASKET, EXHAUST MUFFLER | 0.2 |

| Ref. No. | Part No. | Description | Reqd. QTY | | | | Serial No. | Parts catalogue code |
|----------|----------------|------------------------|-----------|-----|-----|-----|----------------|----------------------|
| | | | (1) | (2) | (3) | (4) | | |
| 1 | 18310-ZB6-C01 | MUFFLER COMP. | 1 | - | - | - | NJC1,QJF1,QXF1 | |
| 2 | 18330-ZB6-000 | PIPE COMP., EX. | 1 | - | - | - | NJC1,QJF1,QXF1 | |
| 3 | 18355-898-630 | ARRESTER, SPARK | 1 | - | - | - | NJC1,QJF1,QXF1 | |
| 4 | 18381-ZE1-800 | GASKET, MUFFLER | 1 | - | - | - | NJC1,QJF1,QXF1 | |
| 5 | 18381-ZH8-800 | GASKET, MUFFLER | 1 | - | - | - | NJC1,QJF1,QXF1 | |
| 6 | 92101-08020-0A | BOLT, HEX., 8X20 | 2 | - | - | - | NJC1,QJF1,QXF1 | |
| 7 | 94001-08000-0S | NUT, HEX., 8MM | 2 | - | - | - | NJC1,QJF1,QXF1 | |

2



| Ref. No. | L.O.N. | (Relative ref. Number) Description | F.R.T. |
|----------|--------|------------------------------------|--------|
| 5 | 3101H8 | STRAINER, FUEL (18) | 0.1 |
| 6 | 3101H6 | JOINT, FUEL STRAINER (9) | 0.2 |
| 7 | 3101H7 | TANK, FUEL (9) | 0.2 |
| 8 | 6171A1 | METER/GAUGE UNIT, FUEL (15) | 0.1 |
| 14 | 3101A6 | FILTER, FUEL | 0.1 |
| 21 | 3101F1 | TUBE, FUEL TANK | 0.2 |

2

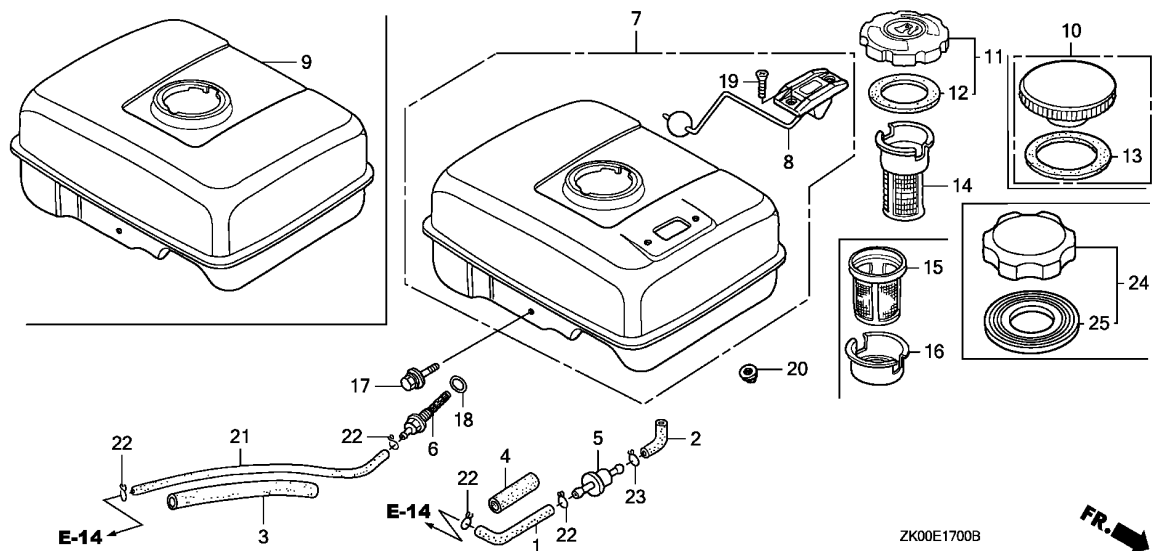
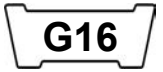
| Ref. No. | Part No. | Description | Reqd. QTY | | | | Serial No. | Parts catalogue code |
|----------|-----------------|---------------------------|-----------|-----|-----|-----|---|----------------------|
| | | | (1) | (2) | (3) | (4) | | |
| 1 | 16851-ZE1-000 | TUBE A, FUEL | 1 | - | - | - | SMG1, SMG2 | |
| 2 | 16852-ZE1-000 | TUBE B, FUEL | 1 | - | - | - | SMG1, SMG2 | |
| 3 | 16854-ZH8-000 | RUBBER, SUPPORTER (107MM) | 1 | - | - | - | BL, HX, HXU, HX2, HX26, LAC, LH, LHB2, LHP1, LHQ4, LJ, LJC1, LJG, LSK, LVL, LX2, LX4, NDJ, NJ, NJG, NMB, NTB, NW, NX, PX, PXU, QAB2, QD, QG2, QH, QHP1, QHQ4, QH26, QH4, QJF, QM, QTP, QTP2, QVL, QX, QXB2, QXC9, QXE2, QXE4, QXE6, QXE8, QXH4, QXS2, QXU, QX2, QX26, QX4, QX7, RH, RHQ4, RH2, RH26, RX, RXU, RX2, RX4, SD, SDB2, SH, SHQ4, SJ, SJG, SMC4, SM11, SM12, SM14, SM21, SM22, SM24, SWG4, SX, SXE4, SXU, SX4, SX7, TX, TXU, TXU1, TX2, VEE1, VEN1, VES1, VGG2, VMG1, VSD, VSD1, VSD2, VSD7, VS17, VX, VXX, VXU, VXU1, VX2, VX4 | |
| 4 | 16854-ZH8-810 | RUBBER, SUPPORTER (50MM) | 1 | - | 1 | 1 | SMG1, SMG2 | |
| 5 | 16952-952-003 | STRAINER, FUEL | 1 | - | - | - | SMG1, SMG2 | |
| 6 | 16955-ZE1-000 | JOINT, FUEL TANK | 1 | - | - | - | BL, HX, HXU, HX2, HX26, LAC, LH, LHB2, LHP1, LHQ4, LJ, LJC1, LJG, LSK, LVL, LX2, LX4, NDJ, NJ, NJG, NMB, NTB, NW, NX, PX, PXU, QAB2, QD, QG2, QH, QHP1, QHQ4, QH26, QH4, QJF, QM, QTP, QTP2, QVL, QX, QXB2, QXC9, QXE2, QXE4, QXE6, QXE8, QXH4, QXS2, QXU, QX2, QX26, QX4, QX7, RH, RHQ4, RH2, RH26, RX, RXU, RX2, RX4, SD, SDB2, SH, SHQ4, SJ, SJG, SMC4, SM11, SM12, SM14, SM21, SM22, SM24, SX, SXE4, SXU, SX4, SX7, TX, TXU, TXU1, TX2, VEE1, VEN1, VES1, VES1, VMG1, VSD, VSD7, VX, VXX, VXU, VXU1, VX2, VX4 | |
| 7 | 17500-ZE1-813ZA | TANK ASSY., FUEL (GAUGE) | - | - | 1 | 1 | | |
| | *NH31* |MCKINLEY WHITE | 1 | - | - | - | LAC, LJG, LSK, NJG, NMB, NTB, QJF, QTP2, SJG, VEE1 | |
| | 17500-ZE1-813ZC | *NH1*.....BLACK | 1 | - | - | - | LJG, NMB, NTB, VEE1, VEN1 | |
| | 17500-ZE1-813ZF | *T73*.....EXEN GRAY | 1 | - | - | - | VEE1 | |
| 8 | 17505-ZE1-013 | GAUGE ASSY., FUEL | 1 | - | - | - | LAC, LJG, LSK, NJG, NMB, NTB, QJF, QTP2, SJG, VEE1, VEN1 | |

| Ref. No. | Part No. | Description | Reqd. QTY | | | | Serial No. | Parts catalogue code |
|----------|-----------------|---|-----------|-----|-----|-----|------------|--|
| | | | (1) | (2) | (3) | (4) | | |
| 9 | 17510-ZE1-020ZA | TANK COMP., FUEL *NH31*.....MCKINLEY WHITE | 1 | - | - | - | ----- | HXU,HX2,HX26,LHQ4,LX2,LX4,NDJ,NX,PX,PXU,QD,QG2,QHQ4,QH26,QH4,QM,QXB2,QXC9,QXE2,QXE4,QXE6,QXE8,QXH4,QXS2,QXU,QX2,QX26,QX4,QX7,RHQ4,RH2,RH26,RXU,RX2,RX4,SDB2,SHQ4,SMC4,SM12,SM14,SM22,SM24,SXE4,SXU,SX4,SX7,TXU,TXU1,TX2,VSD,VSD7,VXU1,VX2,VX4 |
| | | | 1 | - | - | - | 2218550 | BL,HX,LH,LHB2,LHP1,LJ,LJC1,LVL,NJ,NW,QAB2,QH,QHP1,QTP,QVL,QX,RH,RX,SD,SH,SJ,SM11,SM21,SX,TX,VMG1,VX,VXK,VXU |
| | 17510-ZE1-020ZF | *NH1*.....BLACK | - | - | 1 | 1 | ----- | |
| | | | 1 | - | - | - | 2218550 | HXU,HX26,PX,QH26,QM,QXE6,QX2,QX26,QX4,RHQ4,RH26,RXU,SMC4,SM12,SM14,SM22,SX4,VSD,VSD7,VXU1,VX4 |
| | 17510-ZE1-020ZM | *T38*.....MAT GREEN | 1 | - | - | - | 2218550 | LH,LHP1,QH,QHP1,QX,RH,SX,TX,VES1,VMG1,VX,VXK |
| | 17510-ZE1-020ZN | *R280*.....POWER RED | 1 | - | - | - | 2218550 | VSD |
| | 17510-ZE1-030ZA | *NH31*.....MCKINLEY WHITE | 1 | - | - | - | 2218551 | BL,LHB2 |
| | 17510-ZE1-030ZF | *NH1*.....BLACK | 1 | - | - | - | 2218551 | BL,HX,LH,LHB2,LHP1,LJ,LJC1,LVL,NJ,NW,QAB2,QH,QHP1,QTP,QVL,QX,RH,RX,SD,SH,SJ,SM11,SM21,SX,TX,VMG1,VX,VXK,VXU |
| | 17510-ZE1-030ZN | *R280*.....POWER RED | 1 | - | - | - | 2218551 | LH,LHP1,QH,QHP1,QX,RH,SX,TX,VES1,VMG1,VX,VXK |
| 10 | 17620-ZE2-W00 | CAP COMP., FUEL FILLER (CHROME PLATED) | - | - | 1 | - | ----- | |
| 11 | 17620-ZH7-023 | CAP COMP., FUEL FILLER (BLACK) | - | - | - | 1 | ----- | |
| 12 | 17631-ZH7-003 | PACKING, FUEL FILLER CAP (39X58X3) | - | - | - | 1 | ----- | |
| 13 | 17631-329-003 | PACKING, FUEL FILLER CAP (39X58X3) | - | - | 1 | - | ----- | |
| 14 | 17672-ZE2-W01 | FILTER, FUEL | 1 | - | - | - | ----- | BL,LAC,LHB2,LJ,LJG,LSK,LVL,NDJ,NJ,NJG,NMB,NTB,NW,QAB2,QJF,QVL,SDB2,SJ,SJG,SM11,SM12,SM14,SM21,SM22,SM24,VEN1,VES1,VMG1 |
| | | | - | - | 1 | - | ----- | |
| 15 | 17672-880-000 | FILTER, FUEL | 1 | - | - | - | ----- | QH4,QTP2,QXH4 |
| | 17672-887-791 | | 1 | - | - | - | ----- | LJC1,VEE1 |
| 16 | 17673-893-000 | HOLDER, FUEL FILTER | 1 | - | - | - | ----- | LJC1,QH4,QTP2,QXH4,VEE1 |
| 17 | 90004-ZL0-003 | BOLT, FLANGE, 6X34 | 1 | - | - | - | ----- | BL,HX,HXU,HX2,HX26,LAC,LH,LHB2,LHP1,LHQ4,LJ,LJC1,LJG,LSK,LVL,LX2,LX4,NDJ,NJ,NJG,NMB,NTB,NW,NX,PX,PXU,QAB2,QD,QG2,QH,QHP1,QHQ4,QH26,QH4,QJF,QM,QTP,QTP2,QVL,QX,QXB2,QXC9,QXE2,QXE4,QXE6,QXE8,QXH4,QXS2,QXU,QX2,QX26,QX4,QX7,RH,RHQ4,RH2,RH26,RX,RXU,RX2,RX4,SD,SDB2,SH,SHQ4,SJ,SJG,SMC4,SM11,SM12,SM14,SM21,SM22,SM24,SX,SXE4,SXU,SX4,SX7,TX,TXU,TXU1,TX2,VEE1,VEN1,VES1,VMG1,VSD,VSD7,VX,VXK,VXU,VXU1,VX2,VX4 |
| 18 | 91353-671-004 | O-RING, 14MM(NOK) | 1 | - | - | - | ----- | BL,HX,HXU,HX2,HX26,LAC,LH,LHB2,LHP1,LHQ4,LJ,LJC1,LJG,LSK,LVL,LX2,LX4,NDJ,NJ,NJG,NMB,NTB,NW,NX,PX,PXU,QAB2,QD,QG2,QH,QHP1,QHQ4,QH26,QH4,QJF,QM,QTP,QTP2,QVL,QX,QXB2,QXC9,QXE2,QXE4,QXE6,QXE8,QXF1,QXH4,QXS2,QXU,QX2,QX26,QX4,QX7,RH,RHQ4,RH2,RH26,RX,RXU,RX2,RX4,SD,SDB2,SH,SHQ4,SJ,SJG,SMC4,SMG1,SM11,SM12,SM14,SM21,SM22,SM24,SWG4,SX,SXE4,SXU,SX4,SX7,TX,TXU,TXU1,TX2,VEE1,VEN,VEN1,VES,VES1,VGG2,VMG1,VMT,VSD,VSD1,VSD2,VSD7,VS17,VX,VXK,VXU,VXU1,VX2,VX4 |
| | | | - | 1 | 1 | 1 | ----- | |
| 19 | 93600-05010-0A | SCREW, FLAT, 5X10 | 2 | - | - | - | ----- | LAC,LJG,LSK,NJG,NMB,NTB,QJF,QTP2,SJG,VEE1,VEN1 |



E-17

FUEL TANK(1)



ZK00E1700B



| Ref. No. | Part No. | Description | Reqd. QTY | | | | Serial No. | Parts catalogue code |
|----------|----------------|--|-----------|-----|-----|-----|--|----------------------|
| | | | (1) | (2) | (3) | (4) | | |
| 20 | 94050-06000 | NUT, FLANGE, 6MM | 2 | - | - | - | BL, HX, HXU, HX2, HX26, LAC, LH, LHB2, LHP1, LHQ4, LJ, LJC1, LJG, LSK, LVL, LX2, LX4, NDJ, NJ, NJG, NMB, NTB, NTU, NW, NX, PX, PXU, QAB2, QD, QG2, QH, QHP1, QHQ4, QH26, QH4, QJF, QM, QTP, QTP2, QVL, QX, QXB2, QXC9, QXE2, QXE4, QXE6, QXE8, QXH4, QXS2, QXU, QX2, QX26, QX4, QX7, RH, RHA2, RHQ4, RH2, RH26, RMG2, RX, RXU, RX2, RX4, SD, SDB2, SH, SHQ4, SJ, SJG, SMC4, SMG1, SMG2, SM11, SM12, SM14, SM21, SM22, SM24, SWG4, SX, SXE4, SXU, SX4, SX7, TX, TXU, TXU1, TX2, VEE1, VEN1, VES1, VGG2, VMG1, VPM4, VSD, VSD1, VSD2, VSD7, VS17, VXX, VXU, VXU1, VX2, VX4 | |
| | | | - | 2 | 2 | 2 | | |
| 21 | 95001-45140-40 | TUBE, FUEL, 4.5X140 (95001-45001-60M) | 1 | - | - | - | BL, HX, HXU, HX2, HX26, LAC, LH, LHB2, LHP1, LHQ4, LJ, LJC1, LJG, LSK, LVL, LX2, LX4, NDJ, NJ, NJG, NMB, NTB, NW, NX, PX, PXU, QAB2, QD, QG2, QH, QHP1, QHQ4, QH26, QH4, QJF, QM, QTP, QTP2, QVL, QX, QXB2, QXC9, QXE2, QXE4, QXE6, QXE8, QXH4, QXS2, QXU, QX2, QX26, QX4, QX7, RH, RHQ4, RH2, RH26, RX, RXU, RX2, RX4, SD, SDB2, SH, SHQ4, SJ, SJG, SMC4, SM11, SM12, SM14, SM21, SM22, SM24, SX, SXE4, SXU, SX4, SX7, TX, TXU, TXU1, TX2, VEE1, VEN, VEN1, VES, VES1, VGG2, VMG1, VSD, VSD7, VX, VXX, VXU, VXU1, VX2, VX4 | |
| | 95001-45300-40 | TUBE, FUEL, 4.5X300 (95001-45001-60M) | - | - | 1 | 1 | | |
| | 95001-45430-40 | TUBE, FUEL, 4.5X430 (95001-45001-60M) | 1 | - | - | - | NJC1, SWG4 | |
| | | | 1 | - | - | - | VSD1, VSD2, VS17 | |

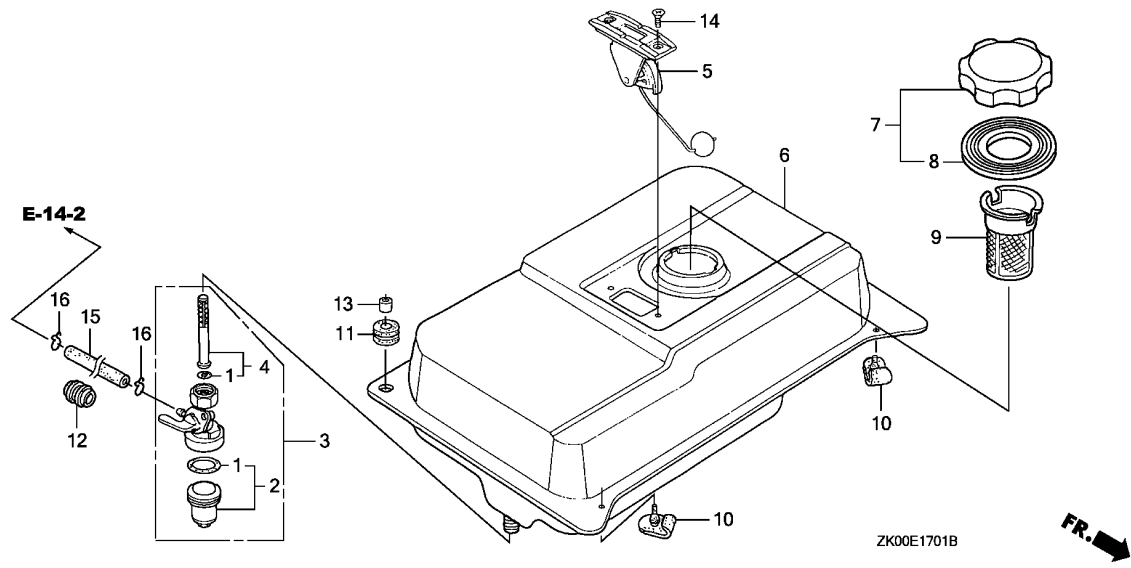
| Ref. No. | Part No. | Description | Reqd. QTY | | | | Serial No. | Parts catalogue code |
|----------|---------------|--|-----------|-----|-----|-----|--|----------------------|
| | | | (1) | (2) | (3) | (4) | | |
| 22 | 95002-02080 | CLIP, TUBE (B8) | 2 | - | - | - | BL, HX, HXU, HX2, HX26, LAC, LH, LHB2, LHP1, LHQ4, LJ, LJC1, LJG, LSK, LVL, LX2, LX4, NDJ, NJ, NJG, NMB, NTB, NW, NX, PX, PXU, QAB2, QD, QG2, QH, QHP1, QHQ4, QH26, QH4, QJF, QM, QTP, QTP2, QVL, QX, QXB2, QXC9, QXE2, QXE4, QXE6, QXE8, QXH4, QXS2, QXU, QX2, QX26, QX4, QX7, RH, RHQ4, RH2, RH26, RX, RXU, RX2, RX4, SD, SDB2, SH, SHQ4, SJ, SJG, SMC4, SMG1, SMG2, SM11, SM12, SM14, SM21, SM22, SM24, SWG4, SX, SXE4, SXU, SX4, SX7, TX, TXU, TXU1, TX2, VEE1, VEN1, VES1, VGG2, VMG1, VMT, VSD, VSD1, VSD2, VSD7, VS17, VX, VXX, VXU, VXU1, VX2, VX4 | |
| 23 | 95002-02100 | CLIP, TUBE (B10) | 1 | - | 2 | 2 | SMG1, SMG2 | |
| 24 | 17620-Z0T-305 | CAP COMP., FUEL FILLER (CHROME PLATED) | 1 | - | - | - | BL, HX, HXU, HX2, HX26, LAC, LH, LHB2, LHP1, LHQ4, LJ, LJC1, LJG, LSK, LVL, LX2, LX4, NDJ, NJ, NJG, NMB, NTB, NW, NX, PX, PXU, QAB2, QD, QG2, QH, QHP1, QHQ4, QH26, QH4, QJF, QM, QTP, QTP2, QVL, QX, QXB2, QXC9, QXE2, QXE4, QXE6, QXE8, QXH4, QXS2, QXU, QX2, QX26, QX4, QX7, RH, RHQ4, RH2, RH26, RX, RXU, RX2, RX4, SD, SDB2, SH, SHQ4, SJ, SJG, SMC4, SM11, SM12, SM14, SM21, SM22, SM24, SX, SXE4, SXU, SX4, SX7, TX, TXU, TXU1, TX2, VEE1, VEN1, VES1, VMG1, VSD, VSD7, VX, VXX, VXU, VXU1, VX2, VX4 | |
| 25 | 17631-Z0T-812 | PACKING, FUEL FILLER CAP (39X62X3) | 1 | - | 1 | 1 | BL, HX, HXU, HX2, HX26, LAC, LH, LHB2, LHP1, LHQ4, LJ, LJC1, LJG, LSK, LVL, LX2, LX4, NDJ, NJ, NJG, NMB, NTB, NW, NX, PX, PXU, QAB2, QD, QG2, QH, QHP1, QHQ4, QH26, QH4, QJF, QM, QTP, QTP2, QVL, QX, QXB2, QXC9, QXE2, QXE4, QXE6, QXE8, QXH4, QXS2, QXU, QX2, QX26, QX4, QX7, RH, RHQ4, RH2, RH26, RX, RXU, RX2, RX4, SD, SDB2, SH, SHQ4, SJ, SJG, SMC4, SM11, SM12, SM14, SM21, SM22, SM24, SX, SXE4, SXU, SX4, SX7, TX, TXU, TXU1, TX2, VEE1, VEN1, VES1, VMG1, VSD, VSD7, VX, VXX, VXU, VXU1, VX2, VX4 | |



E-17-1

FUEL TANK(2)

H 2



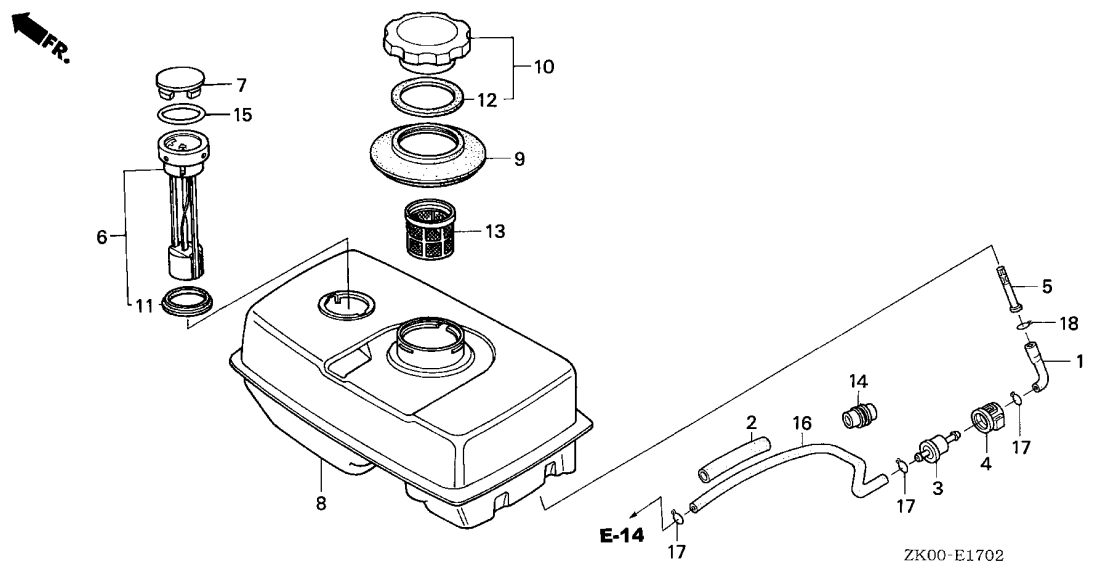
| Ref. No. | L.O.N. | (Relative ref. Number) Description | F.R.T. |
|----------|--------|------------------------------------|--------|
| 1 | 3101C4 | PACKING SET, FUEL TANK COCK .. | 0.2 |
| 3 | 3101A3 | COCK, FUEL | 0.2 |
| 4 | 3101D5 | SCREEN, FUEL STRAINER | 0.2 |
| 5 | 6171A1 | METER/GAUGE UNIT, FUEL | 0.1 |
| 6 | 3101H7 | TANK, FUEL | 0.2 |
| 9 | 3101A6 | FILTER, FUEL | 0.1 |
| 15 | 3101F2 | TUBE, FUEL COCK | 0.2 |

| Ref. No. | Part No. | Description | Reqd. QTY | | | | Serial No. | Parts catalogue code |
|----------|-----------------|---|-----------|-----|-----|-----|--------------------------------------|----------------------|
| | | | (1) | (2) | (3) | (4) | | |
| 1 | 16080-898-631 | O-RING | 1 | - | - | - | VEN, VEN2, VEN4, VES, VMT | |
| 2 | 16081-471-831 | CUP, FUEL STRAINER | 1 | - | - | - | VEN, VEN2, VEN4, VES, VMT | |
| 3 | 16950-898-633 | COCK ASSY., FUEL | 1 | - | - | - | VEN, VEN2, VEN4, VES, VMT | |
| 4 | 16952-GG2-731 | SCREEN SET | 1 | - | - | - | VEN, VEN2, VEN4, VES, VMT | |
| 5 | 17505-ZB2-003 | METER ASSY., FUEL | 1 | - | - | - | VMT | |
| 6 | 17510-ZB2-000ZB | TANK COMP., FUEL | 1 | - | - | - | VMT | |
| | | *R8*.....BRIGHT RED | 1 | - | - | - | VMT | |
| 7 | 17620-Z0T-305 | CAP COMP., FUEL FILLER (CHROME PLATED) | 1 | - | - | - | VMT | |
| 8 | 17631-Z0T-812 | PACKING, FUEL FILLER CAP (39X62X3) | 1 | - | - | - | VMT | |
| 9 | 17672-ZE2-W01 | FILTER, FUEL | 1 | - | - | - | VMT | |
| 10 | 50319-ZB2-000 | RUBBER, TANK MOUNTING | 2 | - | - | - | VMT | |
| 11 | 90852-898-000 | RUBBER, CONTROL BOX | 2 | - | - | - | VMT | |
| 12 | 90854-ZB3-000 | RUBBER, FUEL (9X15X20) | 1 | - | - | - | VEN, VEN2, VEN4, VMT, VSW, VSW1 | |
| 13 | 91552-898-000 | COLLAR, CONTROL BOX | 2 | - | - | - | VMT | |
| 14 | 93600-05010-0A | SCREW, FLAT, 5X10 | 2 | - | - | - | VMT | |
| 15 | 95001-45250-40 | TUBE, FUEL, 4.5X250 (95001-45001-60M) | 1 | - | - | - | VMT | |
| | 95001-45140-40 | TUBE, FUEL, 4.5X140 (95001-45001-60M) | 1 | - | - | - | VEN2, VEN4 | |
| | 95001-45180-40 | TUBE, FUEL, 4.5X180 (95001-45001-60M) | 1 | - | - | - | VSW, VSW1 | |
| 16 | 95002-02080 | CLIP, TUBE (B8) | 2 | - | - | - | VEN, VEN2, VEN4, VES, VMT, VSW, VSW1 | |

E-17-2

FUEL TANK(3)

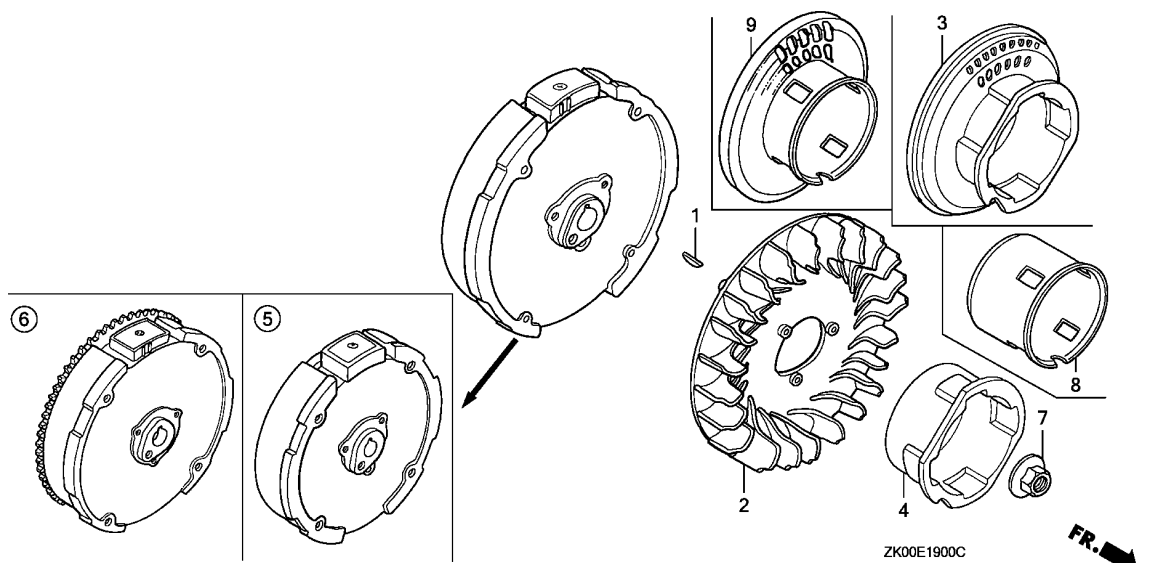
H 3



| Ref. No. | L.O.N. | (Relative ref. Number) Description | F.R.T. |
|----------|--------|------------------------------------|--------|
| 1 | 3101F1 | TUBE, FUEL TANK | 0.2 |
| 3 | 3101H8 | STRAINER, FUEL | 0.1 |
| 5 | 3101H6 | JOINT, FUEL STRAINER | 0.2 |
| 6 | 6171A1 | METER/GAUGE UNIT, FUEL | 0.1 |
| 8 | 3101H7 | TANK, FUEL | 0.2 |
| 13 | 3101A6 | FILTER, FUEL | 0.1 |
| 16 | 3101G0 | TUBE, FUEL STRAINER | 0.2 |

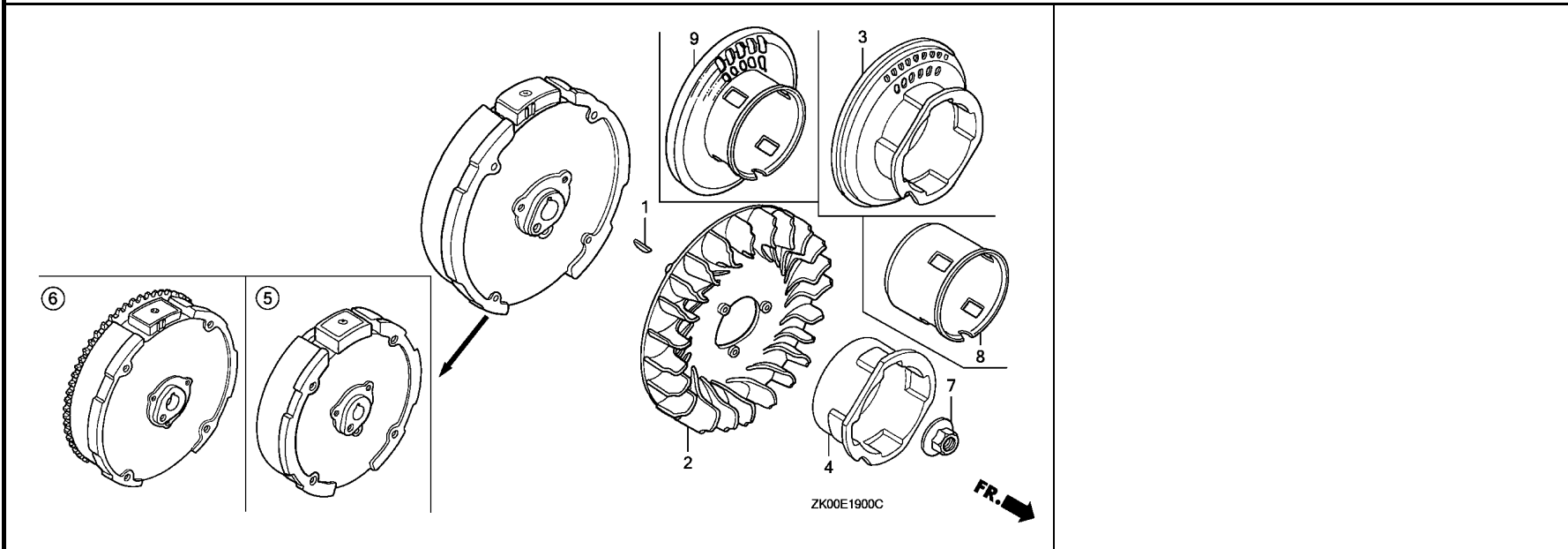
| Ref. No. | Part No. | Description | Reqd. QTY | | | | Serial No. | Parts catalogue code |
|----------|----------------|--|-----------|-----|-----|-----|---------------------|----------------------|
| | | | (1) | (2) | (3) | (4) | | |
| 1 | 16852-ZB6-000 | TUBE, FUEL TANK | 1 | - | - | - | NJC1,QJF1,QXF1 | |
| | 95001-45035-40 | TUBE, FUEL, 4.5X35 (95001-45001-60M) | 1 | - | - | - | VPM4 | |
| 2 | 16857-ZB6-000 | RUBBER, SUPPORTER | 1 | - | - | - | NJC1,QJF1,QXF1 | |
| | 16854-ZH8-810 | RUBBER, SUPPORTER (50MM) | 1 | - | - | - | VPM4 | |
| 3 | 16910-GB2-005 | STRAINER COMP., FUEL | 1 | - | - | - | NJC1,QJF1,QXF1,VPM4 | |
| 4 | 16915-GB2-000 | SUSPENSION, STRAINER | 1 | - | - | - | NJC1,QJF1,QXF1 | |
| 5 | 16952-ZB6-000 | BUSH, FUEL PURGE | 1 | - | - | - | NJC1,QJF1,QXF1 | |
| 6 | 17505-898-023 | METER COMP., FUEL | 1 | - | - | - | NJC1,QJF1,QXF1 | |
| 7 | 17507-ZA0-800 | CAP, FUEL METER | 1 | - | - | - | NJC1,QJF1,QXF1 | |
| 8 | 17510-ZB6-010 | TANK COMP., FUEL | 1 | - | - | - | NJC1,QJF1,QXF1 | |
| 9 | 17520-ZA0-800 | SEAL, FUEL FILLER NECK | 1 | - | - | - | NJC1,QJF1,QXF1 | |
| 10 | 17620-899-013 | CAP COMP., FUEL FILLER | 1 | - | - | - | NJC1,QJF1,QXF1 | |
| 11 | 17624-187-020 | PACKING C, FUEL METER | 1 | - | - | - | NJC1,QJF1,QXF1 | |
| 12 | 17631-899-000 | PACKING, FUEL FILLER CAP | 1 | - | - | - | NJC1,QJF1,QXF1 | |
| 13 | 17670-ZB6-000 | FILTER COMP., FUEL | 1 | - | - | - | NJC1,QJF1,QXF1 | |
| 14 | 90854-ZB3-000 | RUBBER, FUEL (9X15X20) | 1 | - | - | - | VPM4 | |
| 15 | 91356-706-000 | O-RING, 56X2.4 | 1 | - | - | - | NJC1,QJF1,QXF1 | |
| 16 | 95001-45300-40 | TUBE, FUEL, 4.5X300 (95001-45001-60M) | 1 | - | - | - | NJC1 | |
| | 95001-45380-40 | TUBE, FUEL, 4.5X380 (95001-45001-60M) | 1 | - | - | - | QJF1,QXF1 | |
| | 95001-45110-40 | TUBE, FUEL, 4.5X110 (95001-45001-60M) | 1 | - | - | - | VPM4 | |
| 17 | 95002-02080 | CLIP, TUBE (B8) | 3 | - | - | - | NJC1,QJF1,QXF1,VPM4 | |
| 18 | 95002-02100 | CLIP, TUBE (B10) | 1 | - | - | - | NJC1,QJF1,QXF1 | |
| | 95002-02080 | CLIP, TUBE (B8) | 1 | - | - | - | VPM4 | |

2

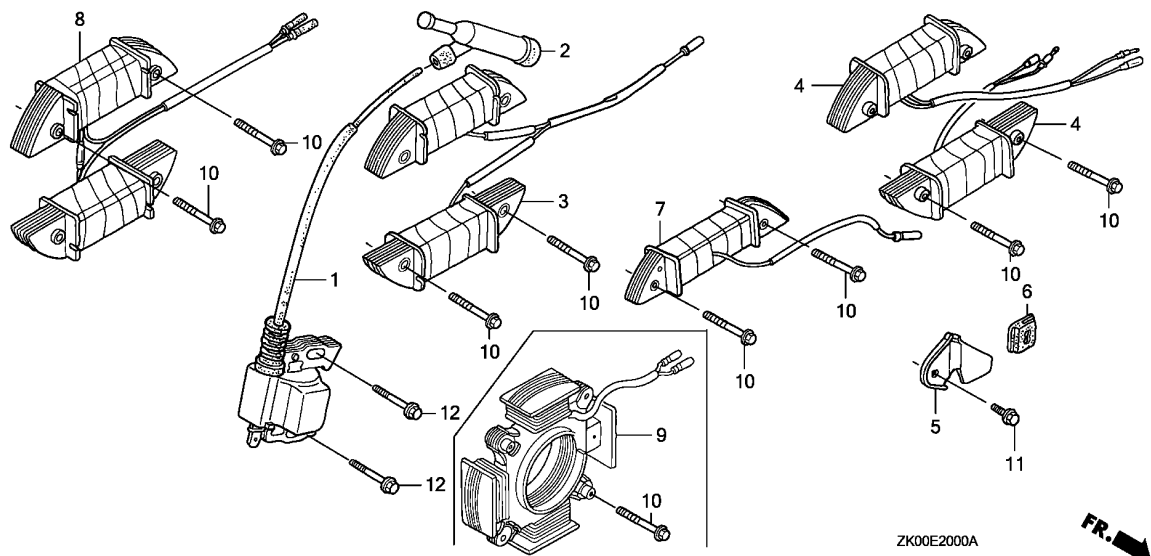


| Ref. No. | L.O.N. | (Relative ref. Number) Description | F.R.T. |
|----------|--------|------------------------------------|--------|
| 2 | 1141G7 | FAN, ENGINE COOLING (3,8,9) | 0.2 |
| 4 | 1121A9 | PULLEY, RECOIL STARTER (6) | 0.2 |
| 5 | 2161B5 | FLYWHEEL | 0.3 |

| Ref. No. | Part No. | Description | Reqd. QTY | | | | Serial No. | Parts catalogue code | |
|----------|---------------|------------------------------|-----------|-----|-----|-----|------------|----------------------|--|
| | | | (1) | (2) | (3) | (4) | | | |
| 1 | 13331-357-000 | KEY, SPECIAL WOODRUFF, 25X18 | 1 | 1 | 1 | 1 | | | |
| 2 | 19511-ZE1-000 | FAN, COOLING | 1 | 1 | 1 | 1 | | | |
| 3 | 28450-ZL0-810 | PULLEY COMP., STARTER | 1 | - | - | - | 1937022 | SMC4 | |
| 4 | 28451-ZE1-003 | PULLEY, STARTER | 1 | - | - | - | | LVL,QVL | |
| | 28451-ZH8-003 | | 1 | - | - | - | | 1937022 | BL |
| | 28451-ZL0-000 | | 1 | - | - | - | | | NTU,SMG2,SWG4,VSW,VSW1 |
| | | | 1 | - | - | - | | 1937022 | HX,HXU,HX2,HX26,LH,LHB2,LHP1,LHQ4,LJ,LJC1,LJG,LX2,LX4,NDJ,NJ NJC1,NJG,NMB,NTB,NW,NX,PX,PXU,QAB2,QD,QG2,QH,QHP1,QHQ4,QH26 QH4,QJF,QJF1,QM,QTP,QTP2,QX,QXB2,QXC9,QXE2,QXE4,QXE6,QXE8,QXF1 QXH4,QXS2,QXU,QX2,QX26,QX4,QX7,RH,RHA2,RHQ4,RH2,RH26,RMG2,RX RXU,RX2,RX4,SD,SDB2,SH,SHQ4,SJ,SJG,SMG1,SM11,SM12,SM14,SM21 SM22,SM24,SX,SXE4,SXU,SX4,SX7,TX,TXU,TXU1,TX2,VEE1,VEN,VEN1 VEN4,VES,VES1,VGG2,VMG1,VMT,VPM4,VSD,VSD1,VSD2,VSD7,VS17,VX VXU,VXU1,VX2,VX4 |
| | | | - | 1 | - | - | | 1937022 | |
| 5 | 31100-ZE7-010 | FLYWHEEL COMP. (STD.) | 1 | - | - | - | | | BL,HX,HXU,HX2,HX26,LH,LHB2,LHP1,LHQ4,LJ,LJC1,LJG,LSK,LVL,LX2 LX4,NDJ,NJ,NJG,NW,NX,PX,PXU,QAB2,QD,QH,QHP1,QHQ4,QH26,QJF,QJF1 QM,QVL,QX,QXB2,QXC9,QXF1,QXU,QX2,QX26,QX4,QX7,RH,RHQ4,RH2,RH26 RX,RXU,RX2,RX4,SD,SDB2,SH,SHQ4,SJ,SJG,SM11,SM12,SM14,SM21,SM22 SM24,SX,SXU,SX4,SX7,TX,TXU,TX2,VEE1,VEN1,VGG2,VMG1,VMT,VPM4 VSD,VSD1,VSD2,VSD7,VSW,VSW1,VS17,VX,VXK,VXU,VXU1,VX2,VX4 |
| | 31110-ZL0-811 | FLYWHEEL COMP. (LAMP) | - | 1 | 1 | 1 | | | LAC,NTB,QTP,QXS2,RHA2,RMG2,SMC4,VEN,VEN2,VEN4,VES,VES1 |
| 6 | 31110-ZL0-U52 | FLYWHEEL COMP. (SEL-7A) | 1 | - | - | - | | | NTU,QG2,QH4,QTP2,QXH4 |
| | 31110-ZL0-821 | FLYWHEEL COMP. (START) | 1 | - | - | - | | | NJC1,NMB,QXE2,QXE4,QXE6,QXE8,RJE,SMG1,SMG2,SWG4,SXE4,TXU1 |
| 7 | 90201-878-003 | NUT, SPECIAL, 14MM | 1 | 1 | 1 | 1 | | | |
| 8 | 28451-ZH8-801 | PULLEY, STARTER | 1 | - | - | - | 1937023 | | BL |



| Ref. No. | Part No. | Description | Reqd. QTY | | | | Serial No. | Parts catalogue code |
|----------|---------------|-----------------------------|-----------|-----------|-----|-----------|---|----------------------|
| | | | (1) | GX200 (2) | (3) | (4) | | |
| (8) | 28451-ZL0-801 | PULLEY, STARTER | 1 | - | - | - | ----- LAC,LSK,RJE,VEN2,VXK | |
| | | | 1 | - | - | 1937023 | ----- HX,HXU,HX2,HX26,LH,LHB2,LHP1,LHQ4,LJ,LJC1,LJG,LX2,LX4,NDJ,NJ NJC1,NJG,NMB,NTB,NW,NX,PX,PXU,QAB2,QD,QG2,QH,QHP1,QHQ4,QH26 QH4,QJF,QJF1,QM,QTP,QTP2,QX,QXC9,QXE2,QXE4,QXE6,QXE8,QXF1,QXH4 QXS2,QXU,QX2,QX26,QX4,QX7,RH,RHA2,RHQ4,RH2,RH26,RMG2,RX,RXU RX2,RX4,SD,SDB2,SH,SHQ4,SJ,SJG,SMG1,SM11,SM12,SM14,SM21,SM22 SM24,SX,SXE4,SXU,SX4,SX7,TX,TXU,TXU1,TX2,VEE1,VEN,VEN1,VEN4 VES,VES1,VGG2,VMG1,VMT,VPM4,VSD,VSD1,VSD2,VSD7,VS17,VX,VXU VXU1,VX2,VX4 | |
| 9 | 28450-ZL0-801 | PULLEY COMP., STARTER | - | 1 | - | - | 1937023 | |
| | | | 1 | - | - | ----- LSK | | |
| | | | 1 | - | - | 1937023 | ----- QXB2,SMC4 | |



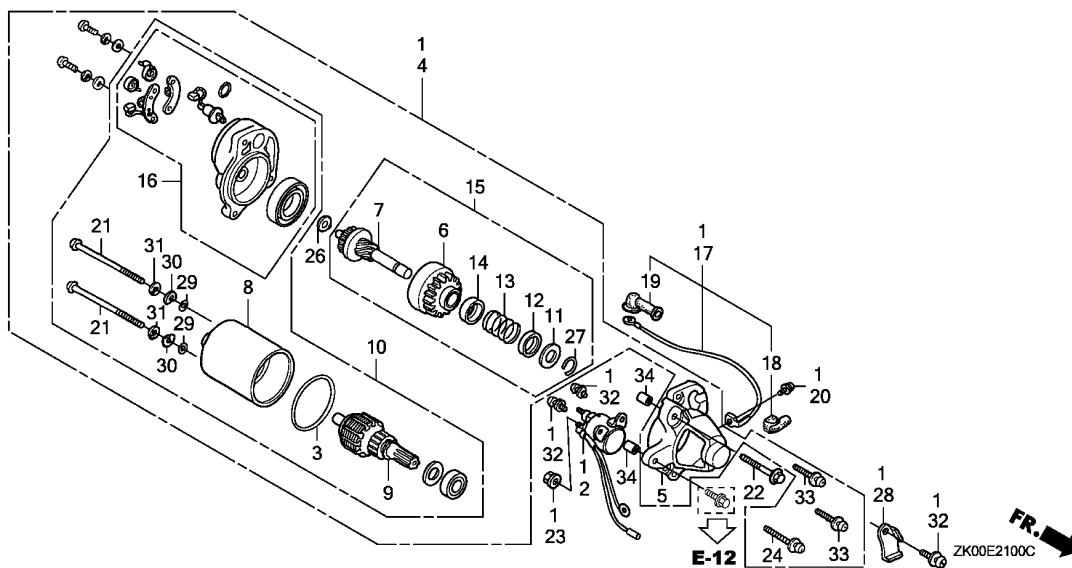
| Ref. No. | L.O.N. | (Relative ref. Number) Description | F.R.T. |
|----------|--------|------------------------------------|--------|
| 1 | 6141A5 | COIL, IGNITION(ONE) | 0.2 |
| 2 | 6141B8 | TERMINAL, HIGH TENSION | 0.1 |
| 3 | 6141A6 | COIL, LAMP | 0.3 |
| 8 | 6131C3 | COIL, CHARGE | 0.3 |



| Ref. No. | Part No. | Description | Reqd. QTY | | | | Serial No. | Parts catalogue code |
|----------|---------------|----------------------|-----------|-----|-----|-----|-----------------|--|
| | | | (1) | (2) | (3) | (4) | | |
| 1 | 30500-ZE1-043 | COIL ASSY., IGNITION | 1 | - | - | - | 2018936 | BL, HX, HXU, HX2, HX26, LH, LHB2, LHP1, LHQ4, LJ, LJC1, LJG, LVL, LX2, LX4, NDJ, NJ, NJC1, NJG, NMB, NTB, NTU, NW, NX, PX, PXU, QAB2, QD, QG2, QH, QHP1, QHQ4, QH26, QH4, QJF, QJF1, QM, QTP, QTP2, QVL, QX, QXB2, QXC9, QXE2, QXE4, QXE6, QXE8, QXF1, QXH4, QXS2, QXU, QX2, QX26, QX4, QX7, RH, RHA2, RHQ4, RH2, RH26, RJE, RMG2, RX, RXU, RX2, RX4, SD, SDB2, SH, SHQ4, SJ, SJG, SMC4, SMG1, SMG2, SM11, SM12, SM14, SM21, SM22, SM24, SWG4, SX, SXE4, SXU, SX4, SX7, TX, TXU, TXU1, TX2, VEE1, VEN, VEN1, VEN2, VEN4, VES, VES1, VGG2, VMG1, VMT, VPM4, VSD, VSD1, VSD2, VSD7, VSW, VS17, VX, VXU, VXU1, VX2, VX4 |
| | | | - | 1 | 1 | - | | QDBR, QXBR |
| | 30500-ZE1-053 | | 1 | - | - | - | 2018937 2030952 | BL, HX, HXU, HX2, HX26, LH, LHB2, LHP1, LHQ4, LJ, LJC1, LJG, LVL, LX2, LX4, NDJ, NJ, NJC1, NJG, NMB, NTB, NTU, NW, NX, PX, PXU, QAB2, QD, QG2, QH, QHP1, QHQ4, QH26, QH4, QJF, QJF1, QM, QTP, QTP2, QVL, QX, QXB2, QXC9, QXE2, QXE4, QXE6, QXE8, QXF1, QXH4, QXS2, QXU, QX2, QX26, QX4, QX7, RH, RHA2, RHQ4, RH2, RH26, RJE, RMG2, RX, RXU, RX2, RX4, SD, SDB2, SH, SHQ4, SJ, SJG, SMC4, SMG1, SMG2, SM11, SM12, SM14, SM21, SM22, SM24, SWG4, SX, SXE4, SXU, SX4, SX7, TX, TXU, TXU1, TX2, VEE1, VEN, VEN1, VEN2, VEN4, VES, VES1, VGG2, VMG1, VMT, VPM4, VSD, VSD1, VSD2, VSD7, VSW, VS17, VX, VXU, VXU1, VX2, VX4 |
| | 30500-ZE1-063 | | 1 | - | - | - | 2030953 | LAC, LSK, VSW1, VXX |
| | | | 1 | - | - | - | | BL, HX, HXU, HX2, HX26, LH, LHB2, LHP1, LHQ4, LJ, LJC1, LJG, LVL, LX2, LX4, NDJ, NJ, NJC1, NJG, NMB, NTB, NTU, NW, NX, PX, PXU, QAB2, QD, QG2, QH, QHP1, QHQ4, QH26, QH4, QJF, QJF1, QM, QTP, QTP2, QVL, QX, QXB2, QXC9, QXE2, QXE4, QXE6, QXE8, QXF1, QXH4, QXS2, QXU, QX2, QX26, QX4, QX7, RH, RHA2, RHQ4, RH2, RH26, RJE, RMG2, RX, RXU, RX2, RX4, SD, SDB2, SH, SHQ4, SJ, SJG, SMC4, SMG1, SMG2, SM11, SM12, SM14, SM21, SM22, SM24, SWG4, SX, SXE4, SXU, SX4, SX7, TX, TXU, TXU1, TX2, VEE1, VEN, VEN1, VEN2, VEN4, VES, VES1, VGG2, VMG1, VMT, VPM4, VSD, VSD1, VSD2, VSD7, VSW, VS17, VX, VXU, VXU1, VX2, VX4 |
| | 30500-ZE1-033 | | - | - | - | 1 | | TXBR, VXBR |

| Ref. No. | Part No. | Description | Reqd. QTY | | | | Serial No. | Parts catalogue code |
|----------|---------------|--|-----------|-----|-----|-----|------------|---|
| | | | (1) | (2) | (3) | (4) | | |
| 2 | 30600-ZE1-013 | TERMINAL ASSY., HIGH TENSION (NICHIAWA Y-EZ) | 1 | - | 1 | - | ----- | LJ,LJC1,LJG,LSK,NJ,NJG,NMB,NTB,NTU,NW,QD,QJF,QJF1,QM,QXF1,SD SDB2,SDNI,SJ,SJG,SMG1,VEN,VES |
| | 30700-ZB6-013 | CAP ASSY., NOISE SUPPRESSOR | 1 | - | - | - | ----- | NJC1 |
| | 30700-ZE8-003 | | 1 | - | - | - | ----- | BL,LVL,QVL |
| | 30700-ZE1-013 | CAP ASSY., NOISE SUPPRESSOR (NICHIAWA Y-EZ RTFM256) | 1 | - | 1 | - | ----- | HX,HXU,HX2,HX26,LAC,LH,LHB2,LHP1,LHQ4,LVSH,LX2,LX4,NDJ,NX,PX PXU,QAB2,QG2,QH,QHP1,QHQ4,QH26,QH4,QTP,QTP2,QVSH,QX,QXB2,QXC9 QXE2,QXE4,QXE6,QXE8,QXH4,QXS2,QXU,QX2,QX26,QX4,QX7,RH,RHA2 RHQ4,RH2,RH26,RJE,RMG2,RX,RXU,RX2,RX4,SH,SHQ4,SMC4,SMG2,SM11 SM12,SM14,SM21,SM22,SM24,SWG4,SX,SXE4,SXU,SX4,SX7,TX,TXU,TXU1 TX2,VEE1,VEN1,VEN2,VEN4,VES1,VGG2,VMG1,VMT,VPM4,VSD,VSD1,VSD2 VSD7,VSW,VSW1,VS17,VX,VXK,VXU,VXU1,VX2,VX4 |
| | | | - | 1 | - | 1 | | |
| 3 | 31510-ZE1-711 | COIL ASSY., LAMP (12V/50W) .. | 1 | - | - | - | ----- | LAC,QTP,QXS2,RMG2 |
| 4 | 31510-ZE1-811 | COIL ASSY., LAMP (12V/25W) .. | 1 | - | - | - | ----- | NTB,RHA2,SMC4 |
| | | | 2 | - | - | - | ----- | VES,VES1 |
| | 31630-ZLO-V31 | COIL ASSY., CHARGE | 1 | - | - | - | ----- | VEN,VEN2,VEN4 |
| 5 | 31511-ZE1-000 | CLAMPER, CORD | 1 | - | - | - | ----- | LAC,NJC1,NMB,NTB,NTU,QG2,QH4,QTP,QTP2,QXE2,QXE4,QXE6,QXE8,QXH4 QXS2,RHA2,RJE,RMG2,SMC4,SMG1,SMG2,SXE4,TXU1,VEN,VEN2,VEN4,VES VES1 |
| 6 | 31512-ZE1-000 | GROMMET, CORD | 1 | - | - | - | ----- | LAC,NJC1,NMB,NTB,NTU,QG2,QH4,QTP,QTP2,QXE2,QXE4,QXE6,QXE8,QXH4 QXS2,RHA2,RJE,RMG2,SMC4,SMG1,SMG2,SXE4,TXU1,VEN,VEN2,VEN4,VES VES1 |
| 7 | 31630-ZE1-003 | COIL ASSY., CHARGE (1A) | 1 | - | - | - | ----- | QXE2,QXE4,QXE6,QXE8,SXE4,TXU1 |
| | 31630-ZE1-013 | | 1 | - | - | - | ----- | 2218201 SMG1,SMG2 |
| | | | 1 | - | - | - | ----- | SMG1,SMG2 |
| 8 | 31630-ZF1-801 | COIL ASSY., CHARGE (2.8A) ... | 1 | - | - | - | ----- | NJC1,NMB,RJE |
| 9 | 31630-ZH8-W01 | COIL ASSY., CHARGE (12V-7A) .. | 1 | - | - | - | ----- | NTU,QG2,QH4,QTP2,QXH4 |
| 10 | 90015-883-000 | BOLT, FLANGE, 6X28 | 2 | - | - | - | ----- | NTB,QXE2,QXE4,QXE6,QXE8,RHA2,SMC4,SMG1,SMG2,SXE4,TXU1,VEN,VEN2 VEN4 |
| | | | 4 | - | - | - | ----- | LAC,NJC1,NMB,NTU,QG2,QH4,QTP,QTP2,QXH4,QXS2,RJE,RMG2,VES,VES1 |
| 11 | 90019-883-000 | BOLT, FLANGE, 5X10 | 1 | - | - | - | ----- | LAC,NJC1,NMB,NTB,NTU,QG2,QH4,QTP,QTP2,QXE2,QXE4,QXE6,QXE8,QXH4 QXS2,RHA2,RJE,RMG2,SMC4,SMG1,SMG2,SXE4,TXU1,VEN,VEN2,VEN4,VES VES1 |
| 12 | 90121-952-000 | BOLT, FLANGE, 6X25(CT200) ... | 2 | 2 | 2 | 2 | | |



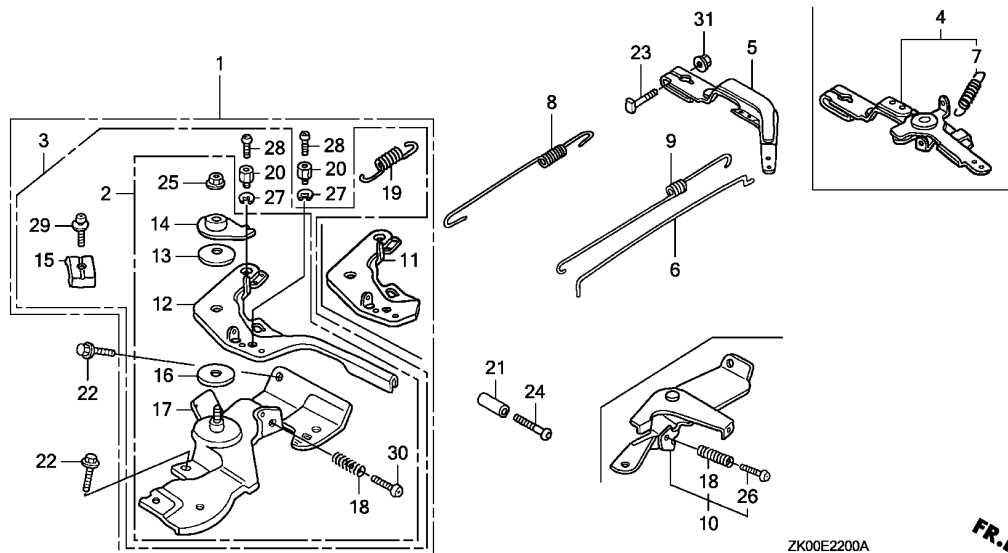


| Ref. No. | L.O.N. | (Relative ref. Number) Description | F.R.T. |
|----------|--------|------------------------------------|--------|
| 1 | 6121D5 | MOTOR, STARTER | 0.2 |
| 2 | 6121C9 | SWITCH, STARTER MAGNETIC | 0.2 |
| 5 | 6121B1 | COVER, GEAR | 0.3 |
| 7 | | (6,11,12,13,14) | |
| | 6121E4 | SHAFT SET, STARTER GEAR | 0.4 |
| 8 | 6121D1 | YOKE, STARTER | 0.4 |
| 9 | 6121A0 | ARMATURE, STARTER | 0.4 |
| 10 | 6121B8 | MOTOR ONLY | 0.3 |
| 15 | 6121B0 | CLUTCH, OVERRUNNING | 0.4 |
| 16 | 6121D2 | BRACKET, STARTER :FRONT | 0.4 |

2

| Ref. No. | Part No. | Description | Reqd. QTY | | | | Serial No. | Parts catalogue code |
|----------|---------------|---|-----------|-----|-----|---------|--|----------------------|
| | | | (1) | (2) | (3) | (4) | | |
| 1 | 31200-ZL0-811 | MOTOR ASSY., STARTER | 1 | - | - | - | NJC1,NMB,NTU,QH4,QTP2,QXE2,QXE4,QXE6,QXE8,QXH4,RJE,SMG1,SMG2 SWG4,SXE4,TXU1 | |
| 2 | 31204-ZE1-003 | SWITCH COMP., STARTING MAGNET | 1 | - | - | - | NTU,QH4,QTP2,QXE2,QXE4,QXE6,QXE8,QXH4,SWG4,SXE4,TXU1 | |
| | 31204-ZE1-013 | | 1 | - | - | 2240871 | NJC1,NMB,RJE,SMG1,SMG2 | |
| 3 | 31206-KN7-670 | O-RING | 1 | - | - | 2240872 | NJC1,NMB,RJE,SMG1,SMG2 | |
| 4 | 31210-ZE1-723 | MOTOR UNIT, STARTER (SM-11205) (181MM) | 1 | - | - | - | NJC1,NMB,NTU,QH4,QTP2,QXE2,QXE4,QXE6,QXE8,QXH4,RJE,SMG1,SMG2 SWG4,SXE4,TXU1 | |
| 5 | 31212-ZE1-003 | COVER COMP., GEAR | 1 | - | - | - | NJC1,NMB,NTU,QH4,QTP2,QXE2,QXE4,QXE6,QXE8,QXH4,RJE,SMG1,SMG2 SWG4,SXE4,TXU1 | |
| 6 | 31214-ZE1-003 | PINION ASSY. | 1 | - | - | - | NJC1,NMB,NTU,QH4,QTP2,QXE2,QXE4,QXE6,QXE8,QXH4,RJE,SMG1,SMG2 SWG4,SXE4,TXU1 | |
| 7 | 31215-ZE1-003 | SHAFT UNIT, GEAR | 1 | - | - | - | NJC1,NMB,NTU,QH4,QTP2,QXE2,QXE4,QXE6,QXE8,QXH4,RJE,SMG1,SMG2 SWG4,SXE4,TXU1 | |
| 8 | 31216-ZE1-731 | YOKE ASSY. | 1 | - | - | - | NJC1,NMB,NTU,QH4,QTP2,QXE2,QXE4,QXE6,QXE8,QXH4,RJE,SMG1,SMG2 SWG4,SXE4,TXU1 | |
| 9 | 31217-ZE1-722 | ROTOR ASSY. | 1 | - | - | - | NJC1,NMB,NTU,QH4,QTP2,QXE2,QXE4,QXE6,QXE8,QXH4,RJE,SMG1,SMG2 SWG4,SXE4,TXU1 | |
| 10 | 31220-ZE1-722 | MOTOR ONLY | 1 | - | - | - | NJC1,NMB,NTU,QH4,QTP2,QXE2,QXE4,QXE6,QXE8,QXH4,RJE,SMG1,SMG2 SWG4,SXE4,TXU1 | |
| 11 | 31221-ZE1-003 | PIECE A, STOPPER | 1 | - | - | - | NJC1,NMB,NTU,QH4,QTP2,QXE2,QXE4,QXE6,QXE8,QXH4,RJE,SMG1,SMG2 SWG4,SXE4,TXU1 | |
| 12 | 31222-ZE1-003 | PIECE B, STOPPER | 1 | - | - | - | NJC1,NMB,NTU,QH4,QTP2,QXE2,QXE4,QXE6,QXE8,QXH4,RJE,SMG1,SMG2 SWG4,SXE4,TXU1 | |

| Ref. No. | Part No. | Description | Reqd. QTY | | | | Serial No. | Parts catalogue code |
|----------|----------------|-------------------------------|-----------|-----|-----|---------|--|----------------------|
| | | | (1) | (2) | (3) | (4) | | |
| 13 | 31223-ZE1-003 | SPRING, RETURN | 1 | - | - | - | NJC1,NMB,NTU,QH4,QTP2,QXE2,QXE4,QXE6,QXE8,QXH4,RJE,SMG1,SMG2 SWG4,SXE4,TXU1 | |
| 14 | 31224-ZE1-003 | COVER, SPRING | 1 | - | - | - | NJC1,NMB,NTU,QH4,QTP2,QXE2,QXE4,QXE6,QXE8,QXH4,RJE,SMG1,SMG2 SWG4,SXE4,TXU1 | |
| 15 | 31230-ZE1-003 | GEAR ASSY. | 1 | - | - | - | NJC1,NMB,NTU,QH4,QTP2,QXE2,QXE4,QXE6,QXE8,QXH4,RJE,SMG1,SMG2 SWG4,SXE4,TXU1 | |
| 16 | 31235-ZE1-013 | BRACKET COMP., FR. | 1 | - | - | - | NJC1,NMB,NTU,QH4,QTP2,QXE2,QXE4,QXE6,QXE8,QXH4,RJE,SMG1,SMG2 SWG4,SXE4,TXU1 | |
| 17 | 32410-ZE1-000 | CORD, MAGNET SWITCH | 1 | - | - | - | NTU,QH4,QTP2,QXE2,QXE4,QXE6,QXE8,QXH4,SWG4,SXE4,TXU1 | |
| | 32410-ZE1-010 | | 1 | - | - | 2240188 | NJC1,NMB,RJE,SMG1,SMG2 | |
| 18 | 32411-ZE1-000 | COVER, MAGNETIC SWITCH | 1 | - | - | - | NJC1,NMB,NTU,QH4,QTP2,QXE2,QXE4,QXE6,QXE8,QXH4,RJE,SMG1,SMG2 SWG4,SXE4,TXU1 | |
| 19 | 32411-253-000 | COVER, STARTER MOTOR TERMINAL | 1 | - | - | - | NJC1,NMB,NTU,QH4,QTP2,QXE2,QXE4,QXE6,QXE8,QXH4,RJE,SMG1,SMG2 SWG4,SXE4,TXU1 | |
| 20 | 90010-ZE1-003 | SCREW-WASHER, 5X8 | 1 | - | - | - | NJC1,NMB,NTU,QH4,QTP2,QXE2,QXE4,QXE6,QXE8,QXH4,RJE,SMG1,SMG2 SWG4,SXE4,TXU1 | |
| 21 | 90012-ZE1-721 | BOLT, SETTING | 2 | - | - | - | NJC1,NMB,NTU,QH4,QTP2,QXE2,QXE4,QXE6,QXE8,QXH4,RJE,SMG1,SMG2 SWG4,SXE4,TXU1 | |
| 22 | 90017-883-000 | BOLT, FLANGE, 6X32 | 1 | - | - | - | NJC1,NMB,NTU,QH4,QTP2,QXE2,QXE4,QXE6,QXE8,QXH4,RJE,SMG1,SMG2 SWG4,SXE4,TXU1 | |
| 23 | 90071-MB0-000 | NUT-WASHER, 6MM | 2 | - | - | - | NJC1,NMB,NTU,QH4,QTP2,QXE2,QXE4,QXE6,QXE8,QXH4,RJE,SMG1,SMG2 SWG4,SXE4,TXU1 | |
| 24 | 90115-GB4-700 | SCREW-WASHER, 5X30 | 1 | - | - | - | NJC1,NMB,NTU,QH4,QTP2,QXE2,QXE4,QXE6,QXE8,QXH4,RJE,SMG1,SMG2 SWG4,SXE4,TXU1 | |
| 26 | 90502-187-701 | WASHER, PINION | 1 | - | - | - | NJC1,NMB,NTU,QH4,QTP2,QXE2,QXE4,QXE6,QXE8,QXH4,RJE,SMG1,SMG2 SWG4,SXE4,TXU1 | |
| 27 | 90603-ZE1-003 | CIRCLIP, 10.2MM | 1 | - | - | - | NJC1,NMB,NTU,QH4,QTP2,QXE2,QXE4,QXE6,QXE8,QXH4,RJE,SMG1,SMG2 SWG4,SXE4,TXU1 | |
| 28 | 90631-ZE1-003 | HOLDER, HARNESS | 1 | - | - | - | NJC1,NMB,NTU,QH4,QTP2,QXE2,QXE4,QXE6,QXE8,QXH4,RJE,SMG1,SMG2 SWG4,SXE4,TXU1 | |
| 29 | 91301-ZE1-003 | O-RING | 2 | - | - | - | NJC1,NMB,NTU,QH4,QTP2,QXE2,QXE4,QXE6,QXE8,QXH4,RJE,SMG1,SMG2 SWG4,SXE4,TXU1 | |
| 30 | 91402-ZE6-003 | WASHER, SPECIAL | 2 | - | - | - | NJC1,NMB,NTU,QH4,QTP2,QXE2,QXE4,QXE6,QXE8,QXH4,RJE,SMG1,SMG2 SWG4,SXE4,TXU1 | |
| 31 | 91403-ZE6-003 | WASHER, SPRING | 2 | - | - | - | NJC1,NMB,NTU,QH4,QTP2,QXE2,QXE4,QXE6,QXE8,QXH4,RJE,SMG1,SMG2 SWG4,SXE4,TXU1 | |
| 32 | 93892-05014-08 | SCREW-WASHER, 5X14 | 3 | - | - | - | NJC1,NMB,NTU,QH4,QTP2,QXE2,QXE4,QXE6,QXE8,QXH4,RJE,SMG1,SMG2 SWG4,SXE4,TXU1 | |
| 33 | 93892-05020-08 | SCREW-WASHER, 5X20 | 2 | - | - | - | NJC1,NMB,NTU,QH4,QTP2,QXE2,QXE4,QXE6,QXE8,QXH4,RJE,SMG1,SMG2 SWG4,SXE4,TXU1 | |
| 34 | 94301-08100 | DOWEL PIN, 8X10 | 2 | - | - | - | NJC1,NMB,NTU,QH4,QTP2,QXE2,QXE4,QXE6,QXE8,QXH4,RJE,SMG1,SMG2 SWG4,SXE4,TXU1 | |



| Ref. No. | L.O.N. | (Relative ref. Number) Description | F.R.T. |
|----------|--------|--------------------------------------|--------|
| 1 | | (10) | |
| 1161A5 | | CONTROL, THROTTLE/GOVERNOR ... | 0.2 |
| 5 | | (4) | |
| 1161A0 | | ARM, GOVERNOR | 0.3 |
| 6 | | 1161B1 ROD, GOVERNOR | 0.3 |
| 8 | | 1161C5 SPRING, GOVERNOR | 0.2 |
| 9 | | 1161C2 SPRING, THROTTLE RETURN | 0.3 |
| 12 | | (11) | |
| 1161A8 | | LEVER, CONTROL | 0.3 |
| 17 | | 1161A2 BASE, CONTROL | 0.3 |
| 19 | | 1161B7 SPRING, CABLE RETURN | 0.2 |

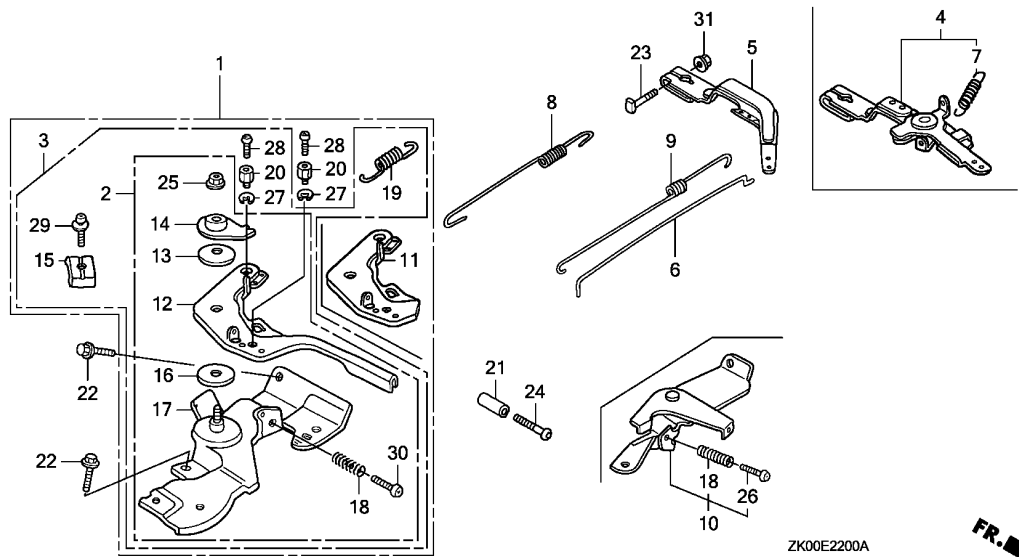
ZK00E2200A



| Ref. No. | Part No. | Description | Reqd. QTY | | | | Serial No. | Parts catalogue code | |
|----------|---------------|---------------------------------|-----------|-----|-----|-----|--|----------------------|--|
| | | | (1) | (2) | (3) | (4) | | | |
| 1 | 16500-ZH8-S43 | CONTROL ASSY. (TB560) | 1 | - | - | - | SMG1,SMG2 | | |
| | 16500-ZH8-U43 | CONTROL ASSY. (NORTON) | 1 | - | - | - | RJE,SM11,SM12,SM14,SM21,SM22,SM24 | | |
| | 16500-ZH8-813 | CONTROL ASSY. (REMOTE/INTERNAL) | 1 | - | - | - | LAC,LJ,LJC1,LJG,LSK,NDJ,NJ,NJC1,NJG,NMB,NTB,NTU,NW,QJF,SJ,SJG | | |
| | 16500-ZH8-853 | CONTROL ASSY. (CYCLONE) | 1 | - | - | - | QXB2 | | |
| | 16500-ZH8-863 | CONTROL ASSY. (REMOTE) | 1 | - | - | - | QXC9 | | |
| 2 | 16500-ZH8-030 | CONTROL ASSY. | 1 | - | - | 1 | NJC1 | | |
| | | | - | 1 | - | - | PX,PXU,QXE8,TX,TXBR,TXU,TXU1,TX2,VEN1,VES1,VGG2,VX,VXBR,VXK VX2,VX4 | | |
| 3 | 16500-ZH8-893 | CONTROL ASSY. (REMOTE INTL-S) | 1 | - | - | - | SWG4 | | |
| 4 | 16550-ZL0-V30 | ARM COMP., GOVERNOR | 1 | - | - | - | VEN,VEN2,VEN4,VES | | |
| 5 | 16551-ZL0-000 | ARM, GOVERNOR | 1 | - | - | 1 | LAC,LJ,LJC1,LJG,LSK,NDJ,NJ,NJC1,NJG,NMB,NTB,NTU,NW,PX,PXU,QJF QJF1,QXC9,QXE8,QXF1,RJE,SJ,SJG,SMG1,SMG2,SM11,SM12,SM14,SM21 SM22,SM24,SWG4,TX,TXBR,TXU,TXU1,TX2,VEE1,VEN1,VES1,VGG2,VMG1 VMT,VPM4,VSD,VSD1,VSD2,VSD7,VSW,VSW1,VS17,VX,VXBR,VXK,VXU,VXU1 VX2,VX4 | | |
| | | | 1 | - | - | - | 1937023 | QXB2 | |
| | | | - | 1 | - | - | | | |
| 6 | 16555-ZE1-000 | ROD, GOVERNOR | 1 | - | - | 1 | LAC,LJ,LJC1,LJG,LSK,NDJ,NJ,NJC1,NJG,NMB,NTB,NTU,NW,PX,PXU,QJF QJF1,QXC9,QXE8,QXF1,RJE,SJ,SJG,SMG1,SMG2,SM11,SM12,SM14,SM21 SM22,SM24,SWG4,TX,TXBR,TXU,TXU1,TX2,VEE1,VEN1,VES1,VGG2,VMG1 VMT,VPM4,VSD,VSD1,VSD2,VSD7,VSW,VSW1,VS17,VX,VXBR,VXK,VXU,VXU1 VX2,VX4 | | |
| | | | 1 | - | - | - | 1937023 | QXB2 | |
| | | | - | 1 | - | - | | | |
| | 16555-ZL0-V30 | | 1 | - | - | - | VEN,VEN2,VEN4,VES | | |
| 7 | 16559-ZL0-V30 | SPRING, GOVERNOR ARM RETURN | 1 | - | - | - | VEN,VEN2,VEN4,VES | | |

| Ref. No. | Part No. | Description | Reqd. QTY | | | | Serial No. | Parts catalogue code |
|----------|---------------|-------------------------------------|-----------|-----|-----|---------|---|----------------------|
| | | | (1) | (2) | (3) | (4) | | |
| 8 | 16561-ZL0-U30 | SPRING, GOVERNOR | 1 | - | - | - | VSD, VSD7, VXU, VXU1 | |
| | 16561-ZL0-V30 | | 1 | - | - | - | VEN, VEN2, VEN4, VMT, VPM4, VSD1, VSW, VSW1, VS17 | |
| | 16561-ZL0-W50 | | 1 | - | - | - | VES | |
| | 16561-ZL0-000 | | 1 | - | - | 1 | LAC, LJ, LJC1, LJG, LSK, NDJ, NJ, NJC1, NJG, NMB, NTB, NTU, NW, PX, PXU, QJF, QJF1, QXC9, QXE8, QXF1, RJE, SJ, SJG, SMG1, SMG2, SM11, SM12, SM14, SM21, SM22, SM24, SWG4, TX, TXBR, TXU, TXU1, TX2, VEE1, VEN1, VES1, VGG2, VMG1, VSD2, VX, VXBR, VXX, VX2, VX4 | |
| | | | 1 | - | - | 1937023 | QXB2 | |
| 9 | 16562-ZE1-020 | SPRING, THROTTLE RETURN | 1 | - | - | 1 | LAC, LJ, LJC1, LJG, LSK, NDJ, NJ, NJC1, NJG, NMB, NTB, NTU, NW, PX, PXU, QJF, QJF1, QXC9, QXE8, QXF1, RJE, SJ, SJG, SMG1, SMG2, SM11, SM12, SM14, SM21, SM22, SM24, SWG4, TX, TXBR, TXU, TXU1, TX2, VEE1, VEN1, VES1, VGG2, VMG1, VMT, VPM4, VSD, VSD1, VSD2, VSD7, VSW, VSW1, VS17, VX, VXBR, VXX, VXU, VXU1, VX2, VX4 | |
| | | | 1 | - | - | 1937023 | QXB2 | |
| | | | - | 1 | - | - | | |
| | 16562-ZL0-V30 | | 1 | - | - | - | VEN, VEN2, VEN4, VES | |
| 10 | 16570-ZB2-000 | CONTROL ASSY. | 1 | - | - | - | QJF1, QXF1, VMG1, VPM4, VSD, VSD1, VSD2, VSD7, VS17, VXU, VXU1 | |
| | 16570-ZL0-V90 | | 1 | - | - | - | VEE1 | |
| 11 | 16571-ZH8-S02 | LEVER, CONTROL | 1 | - | - | - | NJC1 | |
| 12 | 16571-ZH8-020 | LEVER, CONTROL | 1 | - | - | 1 | LAC, LJ, LJC1, LJG, LSK, NDJ, NJ, NJC1, NJG, NMB, NTB, NTU, NW, PX, PXU, QJF, QXC9, QXE8, RJE, SJ, SJG, SMG1, SMG2, SM11, SM12, SM14, SM21, SM22, SM24, SWG4, TX, TXBR, TXU, TXU1, TX2, VEN1, VES1, VGG2, VX, VXBR, VXX, VX2, VX4 | |
| | | | 1 | - | - | 1937023 | QXB2 | |
| | | | - | 1 | - | - | | |
| 13 | 16574-ZE1-000 | SPRING, LEVER | 1 | - | - | 1 | LAC, LJ, LJC1, LJG, LSK, NDJ, NJ, NJC1, NJG, NMB, NTB, NTU, NW, PX, PXU, QJF, QXC9, QXE8, RJE, SJ, SJG, SMG1, SMG2, SM11, SM12, SM14, SM21, SM22, SM24, SWG4, TX, TXBR, TXU, TXU1, TX2, VEN1, VES1, VGG2, VX, VXBR, VXX, VX2, VX4 | |
| | | | 1 | - | - | 1937023 | QXB2 | |
| | | | - | 1 | - | - | | |
| 14 | 16575-ZH8-000 | WASHER, CONTROL LEVER | 1 | - | - | 1 | LAC, LJ, LJC1, LJG, LSK, NDJ, NJ, NJC1, NJG, NMB, NTB, NTU, NW, PX, PXU, QJF, QXC9, QXE8, RJE, SJ, SJG, SMG1, SMG2, SM11, SM12, SM14, SM21, SM22, SM24, SWG4, TX, TXBR, TXU, TXU1, TX2, VEN1, VES1, VGG2, VX, VXBR, VXX, VX2, VX4 | |
| | | | 1 | - | - | 1937023 | QXB2 | |
| | | | - | 1 | - | - | | |
| 15 | 16576-891-000 | HOLDER, CABLE | 1 | - | - | - | LAC, LJ, LJC1, LJG, LSK, NDJ, NJ, NJC1, NJG, NMB, NTB, NTU, NW, QJF, QXC9, RJE, SJ, SJG, SMG1, SMG2, SM11, SM12, SM14, SM21, SM22, SM24, SWG4 | |
| | | | 1 | - | - | 1937023 | QXB2 | |
| 16 | 16578-ZE1-000 | SPACER, CONTROL LEVER | 1 | - | - | 1 | LAC, LJ, LJC1, LJG, LSK, NDJ, NJ, NJC1, NJG, NMB, NTB, NTU, NW, PX, PXU, QJF, QXC9, QXE8, RJE, SJ, SJG, SMG1, SMG2, SM11, SM12, SM14, SM21, SM22, SM24, SWG4, TX, TXBR, TXU, TXU1, TX2, VEN1, VES1, VGG2, VX, VXBR, VXX, VX2, VX4 | |
| | | | 1 | - | - | 1937023 | QXB2 | |
| | | | - | 1 | - | - | | |
| 17 | 16580-ZH8-030 | BASE COMP., CONTROL (###) ... | 1 | - | - | 1 | PX, PXU, QXE8, TX, TXBR, TXU, TXU1, TX2, VEN1, VES1, VGG2, VX, VXBR, VXX, VX2, VX4 | |
| | | | - | 1 | - | - | | |
| | 16580-ZH8-813 | BASE COMP., CONTROL (REMOTE) (###) | 1 | - | - | - | LAC, LJ, LJC1, LJG, LSK, NDJ, NJ, NJC1, NJG, NMB, NTB, NTU, NW, QJF, RJE, SJ, SJG, SMG1, SMG2, SM11, SM12, SM14, SM21, SM22, SM24, SWG4 | |
| | | | 1 | - | - | 1937023 | QXB2 | |
| | 16580-ZH8-853 | BASE COMP., CONTROL (CYCLONE) (###) | 1 | - | - | - | QXC9 | |





| Ref. No. | Part No. | Description | Reqd. QTY | | | | Serial No. | Parts catalogue code |
|----------|---------------|-------------------------------|-----------|-----|-----|-----|--|---|
| | | | (1) | (2) | (3) | (4) | | |
| 18 | 16584-883-300 | SPRING, CONTROL ADJUSTING ... | 1 | - | - | 1 | LAC,LJ,LJC1,LJG,LSK,NDJ,NJ,NJC1,NJG,NMB,NTB,NTU,NW,PX,PXU,QJF,QJF1,QXC9,QXE8,QXF1,RJE,SJ,SJG,SMG1,SMG2,SM11,SM12,SM14,SM21,SM22,SM24,SWG4, TX, TXBR, TXU, TXU1, TX2, VEE1, VEN1, VES1, VGG2, VMG1, VPM4, VSD, VSD1, VSD2, VSD7, VS17, VX, VXBR, VXX, VXU, VXU1, VX2, VX4 | |
| | | | 1 | - | - | - | 1937023 | QXB2 |
| 19 | 16592-ZE1-810 | SPRING, CABLE RETURN | 1 | - | - | - | LAC,LJ,LJC1,LJG,LSK,NDJ,NJ,NJC1,NJG,NMB,NTB,NTU,NW,QJF,QXC9,RJE,SJ,SJG,SMG1,SMG2,SM11,SM12,SM14,SM21,SM22,SM24,SWG4 | |
| 20 | 16594-883-010 | HOLDER, WIRE | 1 | - | - | - | 1937023 | QXB2 |
| | | | 1 | - | - | - | 1937023 | QXB2 |
| | | | 2 | - | - | - | | RJE,SM11,SM12,SM14,SM21,SM22,SM24 |
| 21 | 16599-ZG1-M10 | COLLAR, STOPPER | (1) | - | - | - | | SM14,SM24,SWG4,VPM4,VSD,VSD1,VSD7,VSW,VSW1,VS17,VX4 |
| 22 | 90013-883-000 | BOLT, FLANGE, 6X12(CT200) ... | 2 | - | - | 2 | LAC,LJ,LJC1,LJG,LSK,NDJ,NJ,NJC1,NJG,NMB,NTB,NTU,NW,PX,PXU,QJF,QJF1,QXC9,QXE8,QXF1,RJE,SJ,SJG,SMG1,SMG2,SM11,SM12,SM14,SM21,SM22,SM24,SWG4, TX, TXBR, TXU, TXU1, TX2, VEE1, VEN1, VES1, VGG2, VMG1, VPM4, VSD, VSD1, VSD2, VSD7, VS17, VX, VXBR, VXX, VXU, VXU1, VX2, VX4 | |
| | | | 2 | - | - | - | 1937023 | QXB2 |
| 23 | 90015-ZE5-010 | BOLT, GOVERNOR ARM | 1 | - | - | 1 | LAC,LJ,LJC1,LJG,LSK,NDJ,NJ,NJC1,NJG,NMB,NTB,NTU,NW,PX,PXU,QJF,QJF1,QXC9,QXE8,QXF1,RJE,SJ,SJG,SMG1,SMG2,SM11,SM12,SM14,SM21,SM22,SM24,SWG4, TX, TXBR, TXU, TXU1, TX2, VEE1, VEN, VEN1, VEN2, VEN4, VES, VES1, VGG2, VMG1, VMT, VPM4, VSD, VSD1, VSD2, VSD7, VSW, VSW1, VS17, VX, VXBR, VXX, VXU, VXU1, VX2, VX4 | |
| | | | 1 | - | - | - | 1937023 | QXB2 |
| | | | - | 1 | - | - | | |
| 24 | 90016-ZG9-N30 | SCREW, RECESSED, 5X25 | (1) | - | - | - | | SM14,SM24,SWG4,VPM4,VSD,VSD1,VSD7,VSW,VSW1,VS17,VX4 |

2

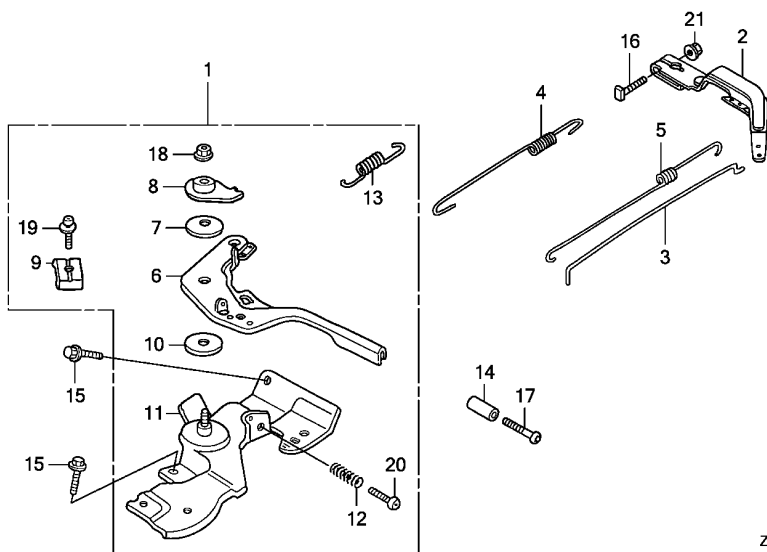
| Ref. No. | Part No. | Description | Reqd. QTY | | | | Serial No. | Parts catalogue code | |
|----------|----------------|------------------------------|-----------|-----|-----|-----|------------|--|-----------------------------------|
| | | | (1) | (2) | (3) | (4) | | | |
| 25 | 90114-SA0-000 | NUT, SELF-LOCK, 6MM | 1 | - | - | 1 | ----- | LAC,LJ,LJC1,LJG,LSK,NDJ,NJ,NJC1,NJG,NMB,NTB,NTU,NW,PX,PXU,QJF,QXC9,QXE8,RJE,SJ,SJG,SMG1,SMG2,SM11,SM12,SM14,SM21,SM22,SM24,SWG4,TX,TXBR,TXU,TXU1,TX2,VEN1,VES1,VGG2,VX,VXBR,VXK,VX2,VX4 | |
| | | | 1 | - | - | - | 1937023 | ----- | QXB2 |
| | | | - | 1 | - | - | | | |
| 26 | 90121-735-700 | SCREW, LOCK PAN (5X35) | 1 | - | - | - | ----- | VEE1 | |
| | 93500-05035-0A | SCREW, PAN, 5X35 | 1 | - | - | - | ----- | QJF1,QXF1,VMG1,VPM4,VSD,VSD1,VSD2,VSD7,VSW,VSW1,VS17,VXU,VXU1 | |
| 27 | 90605-230-000 | CIRCLIP, 5MM | 1 | - | - | - | ----- | LAC,LJ,LJC1,LJG,LSK,NDJ,NJ,NJC1,NJG,NMB,NTB,NTU,NW,QJF,QXC9,SJ,SJG,SMG1,SMG2,SWG4 | |
| | | | 1 | - | - | - | 1937023 | ----- | QXB2 |
| | | | 2 | - | - | - | | | RJE,SM11,SM12,SM14,SM21,SM22,SM24 |
| 28 | 93500-04006-0H | SCREW, PAN, 4X6 | 1 | - | - | - | ----- | LAC,LJ,LJC1,LJG,LSK,NDJ,NJ,NJC1,NJG,NMB,NTB,NTU,NW,QJF,QXC9,SJ,SJG,SMG1,SMG2,SWG4 | |
| | | | 1 | - | - | - | 1937023 | ----- | QXB2 |
| | | | 2 | - | - | - | | | RJE,SM11,SM12,SM14,SM21,SM22,SM24 |
| 29 | 93500-05016-0A | SCREW, PAN, 5X16 | 1 | - | - | - | ----- | LAC,LJ,LJC1,LJG,LSK,NDJ,NJ,NJC1,NJG,NMB,NTB,NTU,NW,QJF,QXC9,RJE,SJ,SJG,SMG1,SMG2,SM11,SM12,SM14,SM21,SM22,SM24,SWG4 | |
| | | | 1 | - | - | - | 1937023 | ----- | QXB2 |
| 30 | 93500-05025-0A | SCREW, PAN, 5X25 | 1 | - | - | 1 | ----- | PX,PXU,QXE8,TX,TXBR,TXU,TXU1,TX2,VEN1,VES1,VGG2,VX,VXBR,VXK,VX2,VX4 | |
| | | | - | 1 | - | - | | | |
| | 93500-05025-0H | | 1 | - | - | - | ----- | LAC,LJ,LJC1,LJG,LSK,NDJ,NJ,NJC1,NJG,NMB,NTB,NTU,NW,QJF,QXC9,RJE,SJ,SJG,SMG1,SMG2,SM11,SM12,SM14,SM21,SM22,SM24,SWG4 | |
| | | | 1 | - | - | - | 1937023 | ----- | QXB2 |
| 31 | 94050-06000 | NUT, FLANGE, 6MM | 1 | - | - | 1 | ----- | LAC,LJ,LJC1,LJG,LSK,NDJ,NJ,NJC1,NJG,NMB,NTB,NTU,NW,PX,PXU,QJF,QJF1,QXC9,QXE8,QXF1,RJE,SJ,SJG,SMG1,SMG2,SM11,SM12,SM14,SM21,SM22,SM24,SWG4,TX,TXBR,TXU,TXU1,TX2,VEE1,VEN,VEN1,VEN2,VEN4,VES,VES1,VGG2,VMG1,VMT,VPM4,VSD,VSD1,VSD2,VSD7,VSW,VSW1,VS17,VX,VXBR,VXK,VXU,VXU1,VX2,VX4 | |
| | | | 1 | - | - | - | 1937023 | ----- | QXB2 |
| | | | - | 1 | - | - | | | |



E-22-1

CONTROL(2)

H14



ZK00E2201A



| Ref. No. | L.O.N. | (Relative ref. Number) Description | F.R.T. |
|----------|--------|------------------------------------|--------|
| 1 | 1161A5 | CONTROL, THROTTLE/GOVERNOR ... | 0.2 |
| 2 | 1161A0 | ARM, GOVERNOR | 0.3 |
| 3 | 1161B1 | ROD, GOVERNOR | 0.3 |
| 4 | 1161C5 | SPRING, GOVERNOR | 0.2 |
| 5 | 1161C2 | SPRING, THROTTLE RETURN | 0.3 |
| 6 | 1161A8 | LEVER, CONTROL | 0.3 |
| 11 | 1161A2 | BASE, CONTROL | 0.3 |
| 13 | 1161B7 | SPRING, CABLE RETURN | 0.2 |

| Ref. No. | Part No. | Description | Reqd. QTY | | | | Serial No. | Parts catalogue code |
|----------|---------------|--------------------------------|-----------|-----|-----|-----|------------|---|
| | | | (1) | (2) | (3) | (4) | | |
| 1 | 16500-ZH8-P40 | CONTROL ASSY. (CYCLONE-REMOTE) | 1 | - | - | - | ----- | QH4,QXH4 |
| | 16500-ZH8-823 | CONTROL ASSY. (REMOTE) | 1 | - | - | 1 | ----- | BL,HX,HXU,HX2,HX26,LH,LHB2,LHP1,LHQ4,LVL,LX2,LX4,NX,QAB2,QD QDBR,QG2,QH,QHP1,QHQ4,QH26,QM,QTP,QVL,QX,QXBR,QXE2,QXE4,QXE6 QXS2,QXU,QX2,QX26,QX4,QX7,RH,RHA2,RHQ4,RH2,RH26,RMG2,RX,RXU RX2,RX4,SD,SDB2,SH,SHQ4,SMC4,SX,SXE4,SXU,SX4,SX7 |
| | | | 1 | - | - | - | ----- | 1937022 QXB2 |
| | | | - | - | 1 | - | ----- | |
| | 16500-ZH8-873 | CONTROL ASSY. (CYCLONE-REMOTE) | 1 | - | - | - | ----- | QTP2 |
| 2 | 16551-ZLO-000 | ARM, GOVERNOR | 1 | - | - | 1 | ----- | BL,HX,HXU,HX2,HX26,LH,LHB2,LHP1,LHQ4,LVL,LX2,LX4,NX,QAB2,QD QDBR,QG2,QH,QHP1,QHQ4,QH26,QH4,QM,QTP,QTP2,QVL,QX,QXBR,QXE2 QXE4,QXE6,QXH4,QXS2,QXU,QX2,QX26,QX4,QX7,RH,RHA2,RHQ4,RH2,RH26 RMG2,RX,RXU,RX2,RX4,SD,SDB2,SH,SHQ4,SMC4,SX,SXE4,SXU,SX4,SX7 |
| | | | 1 | - | - | - | ----- | 1937022 QXB2 |
| | | | - | - | 1 | - | ----- | |
| 3 | 16555-ZE1-000 | ROD, GOVERNOR | 1 | - | - | 1 | ----- | BL,HX,HXU,HX2,HX26,LH,LHB2,LHP1,LHQ4,LVL,LX2,LX4,NX,QAB2,QD QDBR,QG2,QH,QHP1,QHQ4,QH26,QH4,QM,QTP,QTP2,QVL,QX,QXBR,QXE2 QXE4,QXE6,QXH4,QXS2,QXU,QX2,QX26,QX4,QX7,RH,RHA2,RHQ4,RH2,RH26 RMG2,RX,RXU,RX2,RX4,SD,SDB2,SH,SHQ4,SMC4,SX,SXE4,SXU,SX4,SX7 |
| | | | 1 | - | - | - | ----- | 1937022 QXB2 |
| | | | - | - | 1 | - | ----- | |
| 4 | 16561-ZLO-000 | SPRING, GOVERNOR | 1 | - | - | 1 | ----- | BL,HX,HXU,HX2,HX26,LH,LHB2,LHP1,LHQ4,LVL,LX2,LX4,NX,QAB2,QD QDBR,QG2,QH,QHP1,QHQ4,QH26,QH4,QM,QTP,QTP2,QVL,QX,QXBR,QXE2 QXE4,QXE6,QXH4,QXS2,QXU,QX2,QX26,QX4,QX7,RH,RHA2,RHQ4,RH2,RH26 RMG2,RX,RXU,RX2,RX4,SD,SDB2,SH,SHQ4,SMC4,SX,SXE4,SXU,SX4,SX7 |
| | | | 1 | - | - | - | ----- | 1937022 QXB2 |
| | | | - | - | 1 | - | ----- | |

2

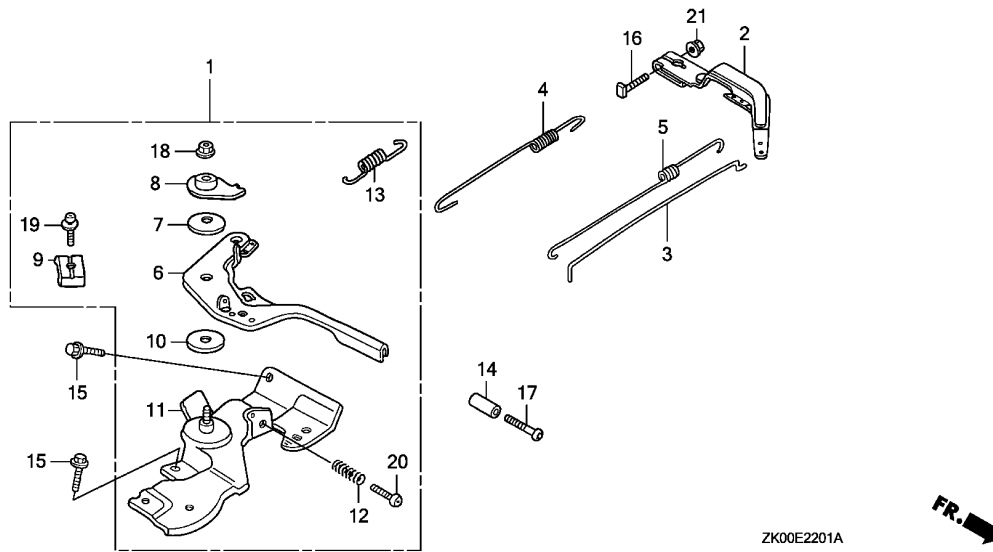
E-22-1

CONTROL(2)



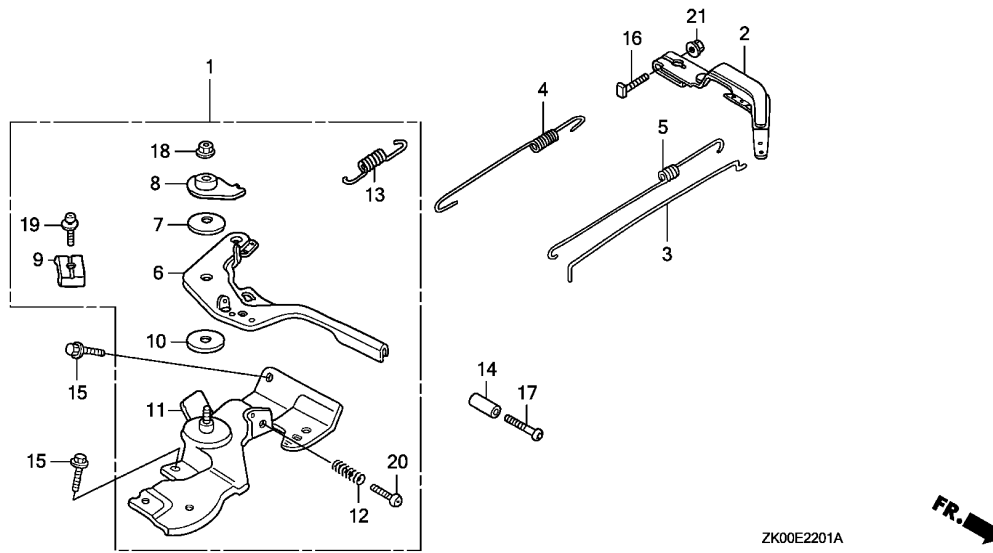
| Ref. No. | Part No. | Description | Reqd. QTY | | | | Serial No. | Parts catalogue code |
|----------|---------------|-------------------------------------|-----------|-----|-----|-----|------------|--|
| | | | (1) | (2) | (3) | (4) | | |
| 5 | 16562-ZE1-020 | SPRING, THROTTLE RETURN | 1 | - | - | 1 | ----- | BL, HX, HXU, HX2, HX26, LH, LHB2, LHP1, LHQ4, LVL, LX2, LX4, NX, QAB2, QD QDBR, QG2, QH, QHP1, QHQ4, QH26, QH4, QM, QTP, QTP2, QVL, QX, QXBR, QXE2 QXE4, QXE6, QXH4, QXS2, QXU, QX2, QX26, QX4, QX7, RH, RHA2, RHQ4, RH2, RH26 RMG2, RX, RXU, RX2, RX4, SD, SDB2, SH, SHQ4, SMC4, SX, SXE4, SXU, SX4, SX7 QXB2 |
| | | | 1 | - | - | - | ----- | 1937022 |
| | | | - | - | 1 | - | ----- | |
| 6 | 16571-ZH8-020 | LEVER, CONTROL | 1 | - | - | 1 | ----- | BL, HX, HXU, HX2, HX26, LH, LHB2, LHP1, LHQ4, LVL, LX2, LX4, NX, QAB2, QD QDBR, QG2, QH, QHP1, QHQ4, QH26, QH4, QM, QTP, QTP2, QVL, QX, QXBR, QXE2 QXE4, QXE6, QXH4, QXS2, QXU, QX2, QX26, QX4, QX7, RH, RHA2, RHQ4, RH2, RH26 RMG2, RX, RXU, RX2, RX4, SD, SDB2, SH, SHQ4, SMC4, SX, SXE4, SXU, SX4, SX7 QXB2 |
| | | | 1 | - | - | - | ----- | 1937022 |
| | | | - | - | 1 | - | ----- | |
| 7 | 16574-ZE1-000 | SPRING, LEVER | 1 | - | - | 1 | ----- | BL, HX, HXU, HX2, HX26, LH, LHB2, LHP1, LHQ4, LVL, LX2, LX4, NX, QAB2, QD QDBR, QG2, QH, QHP1, QHQ4, QH26, QH4, QM, QTP, QTP2, QVL, QX, QXBR, QXE2 QXE4, QXE6, QXH4, QXS2, QXU, QX2, QX26, QX4, QX7, RH, RHA2, RHQ4, RH2, RH26 RMG2, RX, RXU, RX2, RX4, SD, SDB2, SH, SHQ4, SMC4, SX, SXE4, SXU, SX4, SX7 QXB2 |
| | | | 1 | - | - | - | ----- | 1937022 |
| | | | - | - | 1 | - | ----- | |
| 8 | 16575-ZH8-000 | WASHER, CONTROL LEVER | 1 | - | - | 1 | ----- | BL, HX, HXU, HX2, HX26, LH, LHB2, LHP1, LHQ4, LVL, LX2, LX4, NX, QAB2, QD QDBR, QG2, QH, QHP1, QHQ4, QH26, QH4, QM, QTP, QTP2, QVL, QX, QXBR, QXE2 QXE4, QXE6, QXH4, QXS2, QXU, QX2, QX26, QX4, QX7, RH, RHA2, RHQ4, RH2, RH26 RMG2, RX, RXU, RX2, RX4, SD, SDB2, SH, SHQ4, SMC4, SX, SXE4, SXU, SX4, SX7 QXB2 |
| | | | 1 | - | - | - | ----- | 1937022 |
| | | | - | - | 1 | - | ----- | |
| 9 | 16576-891-000 | HOLDER, CABLE | 1 | - | - | 1 | ----- | BL, HX, HXU, HX2, HX26, LH, LHB2, LHP1, LHQ4, LVL, LX2, LX4, NX, QAB2, QD QDBR, QG2, QH, QHP1, QHQ4, QH26, QH4, QM, QTP, QTP2, QVL, QX, QXBR, QXE2 QXE4, QXE6, QXH4, QXS2, QXU, QX2, QX26, QX4, QX7, RH, RHA2, RHQ4, RH2, RH26 RMG2, RX, RXU, RX2, RX4, SD, SDB2, SH, SHQ4, SMC4, SX, SXE4, SXU, SX4, SX7 QXB2 |
| | | | 1 | - | - | - | ----- | 1937022 |
| | | | - | - | 1 | - | ----- | |
| 10 | 16578-ZE1-000 | SPACER, CONTROL LEVER | 1 | - | - | 1 | ----- | BL, HX, HXU, HX2, HX26, LH, LHB2, LHP1, LHQ4, LVL, LX2, LX4, NX, QAB2, QD QDBR, QG2, QH, QHP1, QHQ4, QH26, QH4, QM, QTP, QTP2, QVL, QX, QXBR, QXE2 QXE4, QXE6, QXH4, QXS2, QXU, QX2, QX26, QX4, QX7, RH, RHA2, RHQ4, RH2, RH26 RMG2, RX, RXU, RX2, RX4, SD, SDB2, SH, SHQ4, SMC4, SX, SXE4, SXU, SX4, SX7 QXB2 |
| | | | 1 | - | - | - | ----- | 1937022 |
| | | | - | - | 1 | - | ----- | |
| 11 | 16580-ZH8-813 | BASE COMP., CONTROL (REMOTE) (###) | 1 | - | - | 1 | ----- | BL, HX, HXU, HX2, HX26, LH, LHB2, LHP1, LHQ4, LVL, LX2, LX4, NX, QAB2, QD QDBR, QG2, QH, QHP1, QHQ4, QH26, QM, QTP, QVL, QX, QXBR, QXE2, QXE4, QXE6 QXS2, QXU, QX2, QX26, QX4, QX7, RH, RHA2, RHQ4, RH2, RH26, RMG2, RX, RXU, RX2, RX4, SD, SDB2, SH, SHQ4, SMC4, SX, SXE4, SXU, SX4, SX7 QXB2 |
| | | | 1 | - | - | - | ----- | 1937022 |
| | | | - | - | 1 | - | ----- | |
| | 16580-ZH8-853 | BASE COMP., CONTROL (CYCLONE) (###) | 1 | - | - | - | ----- | QH4, QTP2, QXH4 |
| 12 | 16584-883-300 | SPRING, CONTROL ADJUSTING ... | 1 | - | - | 1 | ----- | BL, HX, HXU, HX2, HX26, LH, LHB2, LHP1, LHQ4, LVL, LX2, LX4, NX, QAB2, QD QDBR, QG2, QH, QHP1, QHQ4, QH26, QH4, QM, QTP, QTP2, QVL, QX, QXBR, QXE2 QXE4, QXE6, QXH4, QXS2, QXU, QX2, QX26, QX4, QX7, RH, RHA2, RHQ4, RH2, RH26 RMG2, RX, RXU, RX2, RX4, SD, SDB2, SH, SHQ4, SMC4, SX, SXE4, SXU, SX4, SX7 QXB2 |
| | | | 1 | - | - | - | ----- | 1937022 |
| | | | - | - | 1 | - | ----- | |





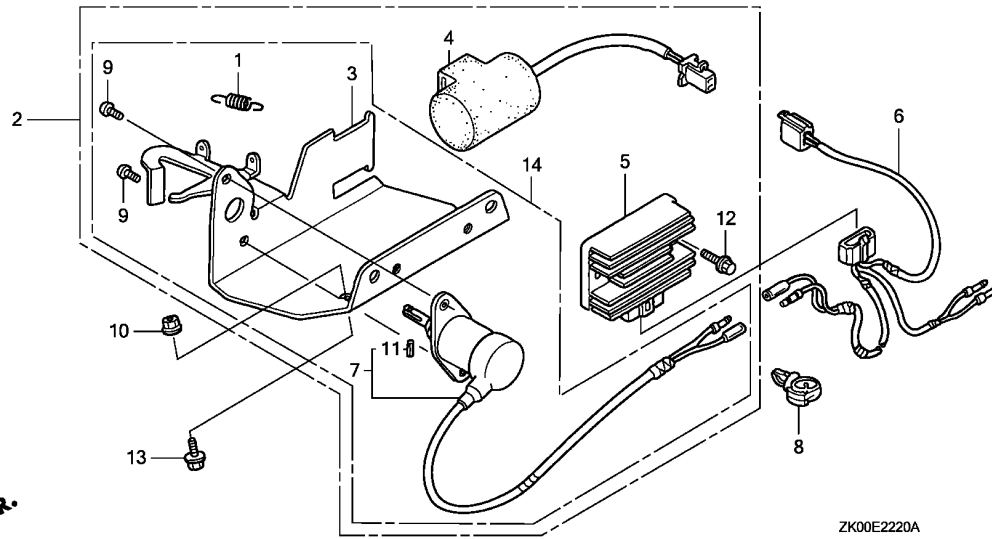
ZK00E2201A

| Ref. No. | Part No. | Description | Reqd. QTY | | | | Serial No. | Parts catalogue code |
|----------|---------------|-------------------------------|-----------|-----|-----|-----|------------|--|
| | | | (1) | (2) | (3) | (4) | | |
| 13 | 16592-ZE1-810 | SPRING, CABLE RETURN | 1 | - | - | 1 | ----- | BL, HX, HXU, HX2, HX26, LH, LHB2, LHP1, LHQ4, LVL, LX2, LX4, NX, QAB2, QD QDBR, QG2, QH, QHP1, QHQ4, QH26, QH4, QM, QTP, QTP2, QVL, QX, QXBR, QXE2 QXE4, QXE6, QXH4, QXS2, QXU, QX2, QX26, QX4, QX7, RH, RHA2, RHQ4, RH2, RH26 RMG2, RX, RXU, RX2, RX4, SD, SDB2, SH, SHQ4, SMC4, SX, SXE4, SXU, SX4, SX7 QXB2 |
| | | | 1 | - | - | - | ----- | 1937022 |
| 14 | 16599-ZG1-M10 | COLLAR, STOPPER | (1) | - | - | - | ----- | LHQ4, LX4, QHQ4, QXE4, QX4, QX7, RHQ4, RX4, SHQ4, SMC4, SXE4, SX4, SX7 |
| 15 | 90013-883-000 | BOLT, FLANGE, 6X12(CT200) ... | 2 | - | - | 2 | ----- | BL, HX, HXU, HX2, HX26, LH, LHB2, LHP1, LHQ4, LVL, LX2, LX4, NX, QAB2, QD QDBR, QG2, QH, QHP1, QHQ4, QH26, QH4, QM, QTP, QTP2, QVL, QX, QXBR, QXE2 QXE4, QXE6, QXH4, QXS2, QXU, QX2, QX26, QX4, QX7, RH, RHA2, RHQ4, RH2, RH26 RMG2, RX, RXU, RX2, RX4, SD, SDB2, SH, SHQ4, SMC4, SX, SXE4, SXU, SX4, SX7 QXB2 |
| | | | 2 | - | - | - | ----- | 1937022 |
| | | | - | - | 2 | - | ----- | |
| 16 | 90015-ZE5-010 | BOLT, GOVERNOR ARM | 1 | - | - | 1 | ----- | BL, HX, HXU, HX2, HX26, LH, LHB2, LHP1, LHQ4, LVL, LX2, LX4, NX, QAB2, QD QDBR, QG2, QH, QHP1, QHQ4, QH26, QH4, QM, QTP, QTP2, QVL, QX, QXBR, QXE2 QXE4, QXE6, QXH4, QXS2, QXU, QX2, QX26, QX4, QX7, RH, RHA2, RHQ4, RH2, RH26 RMG2, RX, RXU, RX2, RX4, SD, SDB2, SH, SHQ4, SMC4, SX, SXE4, SXU, SX4, SX7 QXB2 |
| | | | 1 | - | - | - | ----- | 1937022 |
| | | | - | - | 2 | - | ----- | |
| 17 | 90016-ZG9-N30 | SCREW, RECESSED, 5X25 | (1) | - | - | - | ----- | LHQ4, LX4, QHQ4, QXE4, QX4, QX7, RHQ4, RX4, SHQ4, SMC4, SXE4, SX4, SX7 |
| 18 | 90114-SA0-000 | NUT, SELF-LOCK, 6MM | 1 | - | - | 1 | ----- | BL, HX, HXU, HX2, HX26, LH, LHB2, LHP1, LHQ4, LVL, LX2, LX4, NX, QAB2, QD QDBR, QG2, QH, QHP1, QHQ4, QH26, QH4, QM, QTP, QTP2, QVL, QX, QXBR, QXE2 QXE4, QXE6, QXH4, QXS2, QXU, QX2, QX26, QX4, QX7, RH, RHA2, RHQ4, RH2, RH26 RMG2, RX, RXU, RX2, RX4, SD, SDB2, SH, SHQ4, SMC4, SX, SXE4, SXU, SX4, SX7 QXB2 |
| | | | 1 | - | - | - | ----- | 1937022 |
| | | | - | - | 1 | - | ----- | |



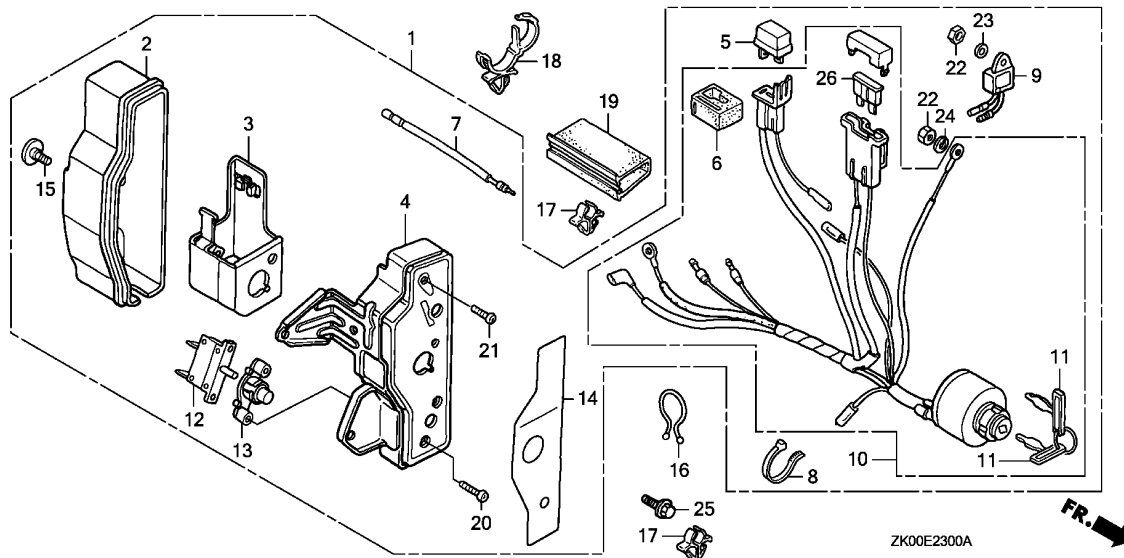
| Ref. No. | Part No. | Description | Reqd. QTY | | | | Serial No. | Parts catalogue code |
|----------|----------------|------------------|-----------|-----|-----|-----|------------|--|
| | | | (1) | (2) | (3) | (4) | | |
| 19 | 93500-05016-0A | SCREW, PAN, 5X16 | 1 | - | - | 1 | ----- | BL, HX, HXU, HX2, HX26, LH, LHB2, LHP1, LHQ4, LVL, LX2, LX4, NX, QAB2, QD QDBR, QG2, QH, QHP1, QHQ4, QH26, QH4, QM, QTP, QTP2, QVL, QX, QXBR, QXE2 QXE4, QXE6, QXH4, QXS2, QXU, QX2, QX26, QX4, QX7, RH, RHA2, RHQ4, RH2, RH26 RMG2, RX, RXU, RX2, RX4, SD, SDB2, SH, SHQ4, SMC4, SX, SXE4, SXU, SX4, SX7 QXB2 |
| | | | 1 | - | - | - | ----- | 1937022 |
| 20 | 93500-05025-0H | SCREW, PAN, 5X25 | 1 | - | - | 1 | ----- | BL, HX, HXU, HX2, HX26, LH, LHB2, LHP1, LHQ4, LVL, LX2, LX4, NX, QAB2, QD QDBR, QG2, QH, QHP1, QHQ4, QH26, QH4, QM, QTP, QTP2, QVL, QX, QXBR, QXE2 QXE4, QXE6, QXH4, QXS2, QXU, QX2, QX26, QX4, QX7, RH, RHA2, RHQ4, RH2, RH26 RMG2, RX, RXU, RX2, RX4, SD, SDB2, SH, SHQ4, SMC4, SX, SXE4, SXU, SX4, SX7 QXB2 |
| | | | 1 | - | - | - | ----- | 1937022 |
| | | | - | - | 1 | - | ----- | |
| 21 | 94050-06000 | NUT, FLANGE, 6MM | 1 | - | - | 1 | ----- | BL, HX, HXU, HX2, HX26, LH, LHB2, LHP1, LHQ4, LVL, LX2, LX4, NX, QAB2, QD QDBR, QG2, QH, QHP1, QHQ4, QH26, QH4, QM, QTP, QTP2, QVL, QX, QXBR, QXE2 QXE4, QXE6, QXH4, QXS2, QXU, QX2, QX26, QX4, QX7, RH, RHA2, RHQ4, RH2, RH26 RMG2, RX, RXU, RX2, RX4, SD, SDB2, SH, SHQ4, SMC4, SX, SXE4, SXU, SX4, SX7 QXB2 |
| | | | 1 | - | - | - | ----- | 1937022 |
| | | | - | - | 1 | - | ----- | |





| Ref. No. | L.O.N. | (Relative ref. Number) Description | F.R.T. |
|----------|--------|------------------------------------|--------|
| 1 | 8101Q9 | SPRING, CHOKE RETURN | 0.1 |
| 2 | 8101S8 | THROTTLE, AUTO | 0.2 |
| 4 | 6141B1 | CONDENSER UNIT | 0.1 |
| 5 | 6131B7 | RECTIFIER, REGULATOR | 0.1 |
| 6 | 6111F0 | SUB HARNESS, AUTO THROTTLE ... | 0.1 |
| 7 | 6211C5 | SOLENOID, AUTO THROTTLE | 0.1 |

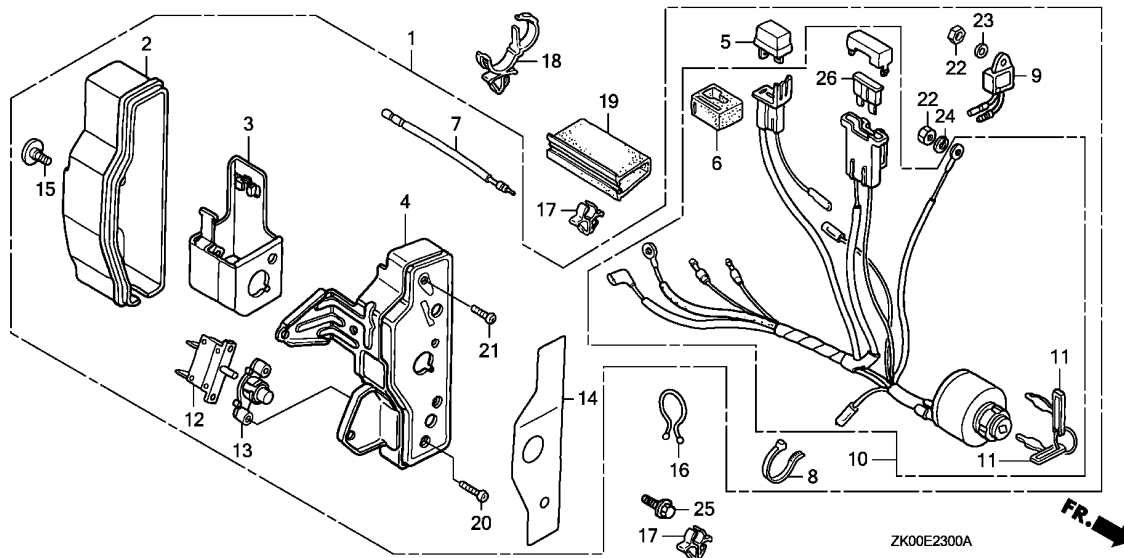
| Ref. No. | Part No. | Description | Reqd. QTY | | | | Serial No. | Parts catalogue code |
|----------|----------------|-------------------------------|-----------|-----|-----|-----|----------------------|----------------------|
| | | | (1) | (2) | (3) | (4) | | |
| 1 | 16268-893-000 | SPRING, CHOKE RETURN | 1 | - | - | - | VEN, VEN2, VEN4, VES | |
| 2 | 16270-ZLO-V30 | THROTTLE ASSY., AUTO | 1 | - | - | - | VEN, VEN2, VEN4 | |
| 3 | 16273-ZLO-V30 | LEVER, SOLENOID THROTTLE | 1 | - | - | - | VEN, VEN2, VEN4, VES | |
| 4 | 31700-KAE-871 | CONDENSER UNIT | 1 | - | - | - | VEN, VEN2, VEN4 | |
| 5 | 31750-ZLO-V31 | RECTIFIER ASSY., REGULATOR .. | 1 | - | - | - | VEN, VEN2, VEN4 | |
| 6 | 32110-ZLO-V30 | SUB HARNESS ASSY. | 1 | - | - | - | VEN, VEN2, VEN4 | |
| 7 | 36330-ZLO-V31 | SOLENOID ASSY., AUTO THROTTLE | 1 | - | - | - | VEN, VEN2, VEN4, VES | |
| 8 | 90683-SAO-003 | CLIP, WIRE HARNESS, 25MM | 2 | - | - | - | VEN, VEN2, VEN4, VES | |
| 9 | 93500-05008-0A | SCREW, PAN, 5X8 | 2 | - | - | - | VEN, VEN2, VEN4, VES | |
| 10 | 94050-06000 | NUT, FLANGE, 6MM | 2 | - | - | - | VEN, VEN2, VEN4, VES | |
| 11 | 94305-20062 | PIN, SPRING, 2X6 | 1 | - | - | - | VEN, VEN2, VEN4, VES | |
| 12 | 95701-06016-00 | BOLT, FLANGE, 6X16 | 2 | - | - | - | VEN, VEN2, VEN4 | |
| 13 | 95701-06025-00 | BOLT, FLANGE, 6X25 | 2 | - | - | - | VEN, VEN2, VEN4, VES | |
| 14 | 16270-ZLO-W50 | THROTTLE ASSY., AUTO | 1 | - | - | - | VES | |



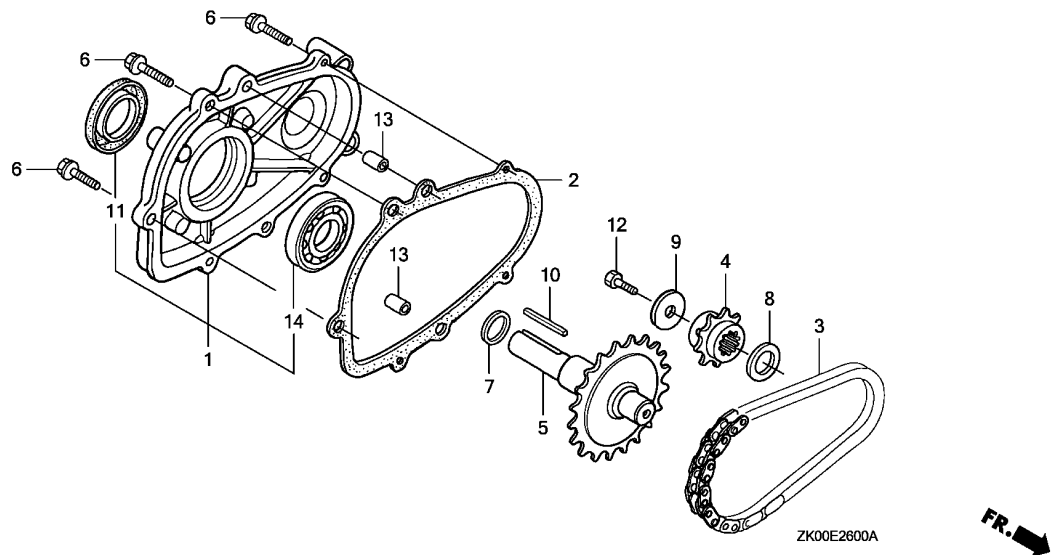
| Ref. No. | L.O.N. | (Relative ref. Number) Description | F.R.T. |
|----------|--------|------------------------------------|--------|
| 1 | 6221N7 | BOX, ENGINE CONTROL | 0.1 |
| 4 | 6151K5 | PANEL, ENGINE CONTROL. | 0.2 |
| 5 | 6131B8 | RECTIFIER, SILICON | 0.1 |
| 9 | 6151K4 | ALERT UNIT, ENGINE CONTROL OIL | 0.1 |
| 10 | 6151E1 | SWITCH, COMBINATION | 0.2 |
| 12 | 6221D4 | PROTECTOR, CIRCUIT | 0.2 |
| 26 | 8121A7 | FUSE, BLADE | 0.1 |

| Ref. No. | Part No. | Description | Reqd. QTY | | | | Serial No. | Parts catalogue code |
|----------|-----------------|--|-----------|-----|-----|-----|------------|--|
| | | | (1) | (2) | (3) | (4) | | |
| 1 | 31610-ZE1-835ZA | BOX ASSY., CONTROL (EXP-ALERT) *NH1*.....BLACK | 1 | - | - | - | ----- | QXE6 |
| | 31610-ZE1-835ZG | *R280*.....POWER RED | 1 | - | - | - | ----- | QXE2,QXE6,QXE8, TXU1 |
| | 31610-ZH8-W52ZE | BOX ASSY., CONTROL (EXTERNAL-10A) | 1 | - | - | - | ----- | QH4,QTP2,QXH4 |
| | 31610-ZK8-W42ZF | BOX ASSY., CONTROL (EXP-ALERT) *R280*.....POWER RED | 1 | - | - | - | ----- | QH4,QTP2,QXE2,QXE4,QXE6,QXE8,QXH4,SXE4, TXU1 |
| 2 | 31612-ZE2-003 | CASE, CONTROL | 1 | - | - | - | ----- | QH4,QTP2,QXE2,QXE4,QXE6,QXE8,QXH4,SXE4, TXU1 |
| 3 | 31614-ZE2-003 | BRACKET, CASE MOUNTING | 1 | - | - | - | ----- | QH4,QTP2,QXE2,QXE4,QXE6,QXE8,QXH4,SXE4, TXU1 |
| 4 | 31615-ZE1-003ZA | PANEL COMP., CONTROL *NH1*.....BLACK | 1 | - | - | - | ----- | QXE6 |
| | 31615-ZE1-003ZG | *R280*.....POWER RED | 1 | - | - | - | ----- | QH4,QTP2,QXE2,QXE4,QXE6,QXE8,QXH4,SXE4, TXU1 |
| 5 | 31700-124-008 | RECTIFIER ASSY., SILICON (SHINDENGEN) | 1 | - | - | - | ----- | QXE2,QXE4,QXE6,QXE8,SXE4, TXU1 |
| 6 | 32127-738-700 | SUSPENSION, COUPLER | 1 | - | - | - | ----- | QXE2,QXE4,QXE6,QXE8,SXE4, TXU1 |
| 7 | 32197-ZE1-003 | SUB HARNESS | 1 | - | - | - | ----- | QH4,QTP2,QXE2,QXE4,QXE6,QXE8,QXH4,SXE4, TXU1 |
| 8 | 32902-892-003 | BAND | 1 | - | - | - | ----- | QH4,QTP2,QXE2,QXE4,QXE6,QXE8,QXH4,SXE4, TXU1 |
| 9 | 34150-ZH7-003 | ALERT UNIT, OIL | 1 | - | - | - | ----- | QH4,QTP2,QXE2,QXE4,QXE6,QXE8,QXH4,SXE4, TXU1 |
| 10 | 35100-ZE1-812 | SWITCH ASSY., COMBINATION ... | 1 | - | - | - | ----- | QXE2,QXE4,QXE6,QXE8,SXE4, TXU1 |
| | 35100-ZH8-R90 | SWITCH ASSY., COMBINATION (10A CHG/RCM) | 1 | - | - | - | ----- | QH4,QTP2,QXH4,RJE |
| 11 | 35111-880-013 | KEY COMP. | 2 | - | - | - | ----- | QH4,QTP2,QXE2,QXE4,QXE6,QXE8,QXH4,RJE,SXE4, TXU1 |
| 12 | 38240-VA3-900 | PROTECTOR, CIRCUIT (1.0A) ... | 1 | - | - | - | ----- | QXE2,QXE4,QXE6,QXE8,SXE4, TXU1 |
| 13 | 38250-ZA8-701 | LENS ASSY., PROTECTOR | 1 | - | - | - | ----- | QXE2,QXE4,QXE6,QXE8,SXE4, TXU1 |
| 14 | 87529-ZE2-812 | MARK, CONTROL BOX (EXP) | 1 | - | - | - | ----- | QXE2,QXE6,QXE8, TXU1 |





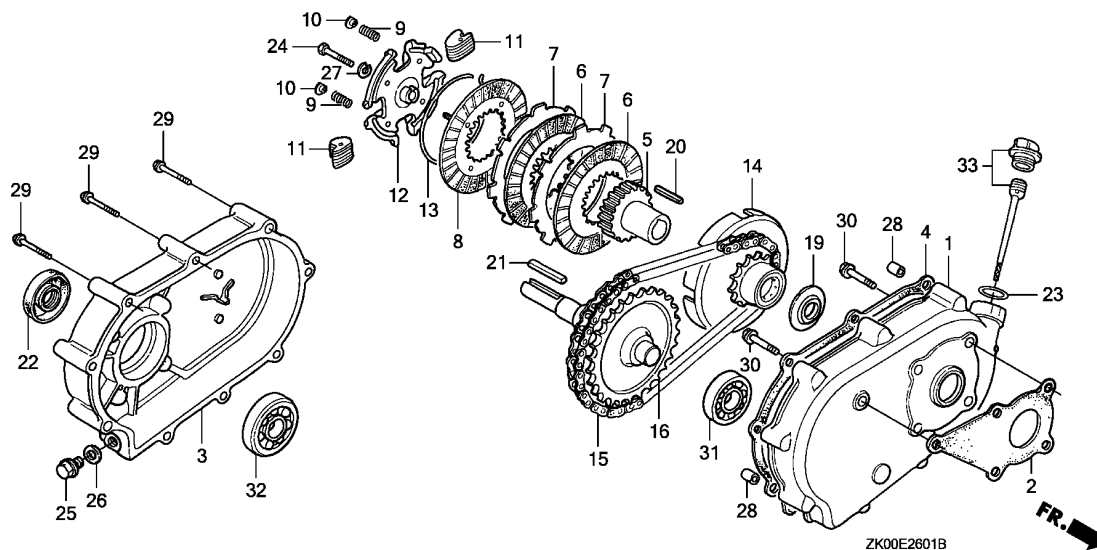
| Ref. No. | Part No. | Description | Reqd. QTY | | | | Serial No. | Parts catalogue code |
|----------|-------------------|--|-----------|-----|-----|-----|--|----------------------|
| | | | (1) | (2) | (3) | (4) | | |
| 14) | 87529-ZE2-861 | MARK, CONTROL BOX (EXTERNAL-REGULATOR) | 1 | - | - | - | QH4,QTP2,QXH4 | |
| | 87529-ZH9-W41 | MARK, CONTROL BOX (ENGLISH) | 1 | - | - | - | QXE4,SXE4 | |
| | 15 90380-MA6-010 | SCREW, SPECIAL, 6X12 | 1 | - | - | - | QH4,QTP2,QXE2,QXE4,QXE6,QXE8,QXH4,SXE4, TXU1 | |
| | 16 90630-751-000 | CLIP, PURSE LOCK | 1 | - | - | - | QH4,QTP2,QXE2,QXE4,QXE6,QXE8,QXH4,SXE4, TXU1 | |
| | 17 90682-ZE1-000 | CLIP, CORD | 2 | - | - | - | QH4,QTP2,QXE2,QXE4,QXE6,QXE8,QXH4,SXE4, TXU1 | |
| | 18 90690-SA0-003 | STRAP, WIRE HARNESS, 25MM (BLACK) | 1 | - | - | - | QH4,QTP2,QXE2,QXE4,QXE6,QXE8,QXH4,SXE4, TXU1 | |
| | 19 91406-ZE2-003 | TUBE, FASTENER, 30MM | 1 | - | - | - | QH4,QTP2,QXE2,QXE4,QXE6,QXE8,QXH4,SXE4, TXU1 | |
| | 20 93500-03012-0H | SCREW, PAN, 3X12 | 2 | - | - | - | QXE2,QXE4,QXE6,QXE8,SXE4, TXU1 | |
| | 21 93500-04012-0H | SCREW, PAN, 4X12 | 1 | - | - | - | QH4,QTP2,QXE2,QXE4,QXE6,QXE8,QXH4,SXE4, TXU1 | |
| | 22 94001-04390-0S | NUT, HEX., 4MM | 2 | - | - | - | QH4,QTP2,QXE2,QXE4,QXE6,QXE8,QXH4,SXE4, TXU1 | |
| | 23 94101-04800 | WASHER, PLAIN, 4MM | 1 | - | - | - | QH4,QTP2,QXE2,QXE4,QXE6,QXE8,QXH4,SXE4, TXU1 | |
| | 24 94111-04800 | WASHER, SPRING, 4MM | 1 | - | - | - | QH4,QTP2,QXE2,QXE4,QXE6,QXE8,QXH4,SXE4, TXU1 | |
| | 25 95701-06010-00 | BOLT, FLANGE, 6X10 | 1 | - | - | - | QH4,QTP2,QXE2,QXE4,QXE6,QXE8,QXH4,SXE4, TXU1 | |
| | 26 98200-30500 | FUSE, BLADE (5A) | 1 | - | - | - | QXE2,QXE4,QXE6,QXE8,SXE4, TXU1 | |
| | 98200-31500 | FUSE, BLADE (15A) | 1 | - | - | - | QH4,QTP2,QXH4,RJE | |



| Ref. No. | L.O.N. | (Relative ref. Number) Description | F.R.T. |
|----------|--------|---|--------|
| 1 | (2) | | |
| 2141W9 | | COVER, CHAIN CASE AND/OR PACKING, CHAIN CASE COVER (L-TYPE) | 0.2 |
| 3 | 2141W2 | CHAIN, POWER TAKE OFF DRIVE (L-TYPE) | 0.3 |
| 4 | 2141X0 | SPROCKET, POWER TAKE OFF DRIVE CHAIN(L-TYPE) | 0.3 |
| 5 | 2141V7 | SHAFT, POWER TAKE OFF(L-TYPE) | 0.3 |
| 11 | 2141X3 | OIL SEAL, POWER TAKE OFF SHAFT (L-TYPE) :REAR | 0.2 |
| 14 | 2141X8 | BEARING, POWER TAKE OFF SHAFT (L-TYPE) :REAR | 0.3 |

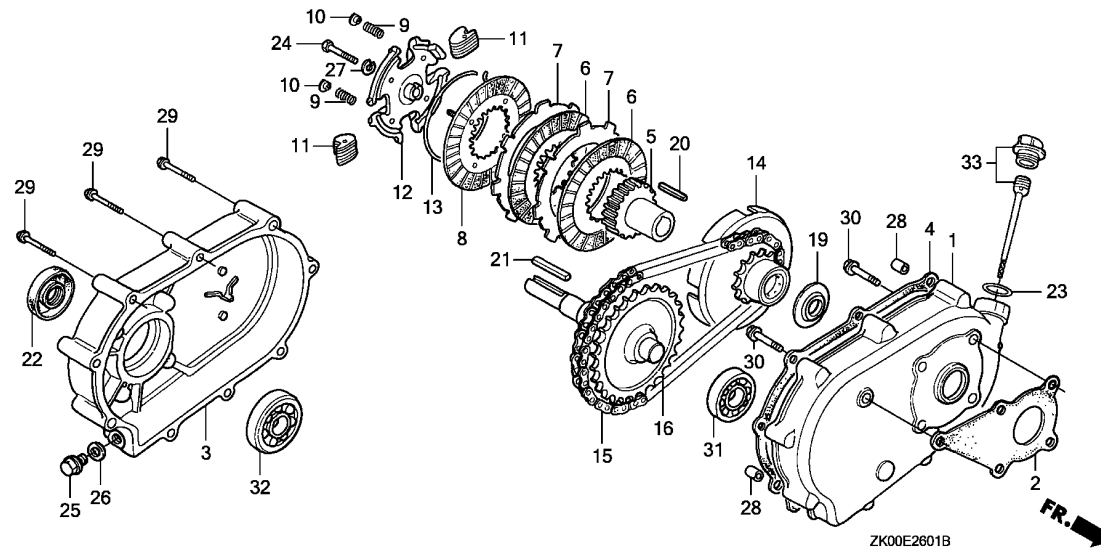
| Ref. No. | Part No. | Description | Reqd. QTY | | | | Serial No. | Parts catalogue code |
|----------|----------------|---|-----------|-----|-----|-----|------------|--|
| | | | (1) | (2) | (3) | (4) | | |
| 1 | 11500-ZE1-610 | COVER ASSY., CHAIN CASE | - | - | 1 | - | ----- | LVSH |
| | 11500-ZE1-611 | | 1 | - | - | - | ----- | LAC,LH,LHB2,LHP1,LHQ4,LJ,LJC1,LJG,LSK,LVL,LX2,LX4 |
| 2 | 11521-ZH8-800 | PACKING, CHAIN CASE COVER ... | 1 | - | 1 | - | ----- | LAC,LH,LHB2,LHP1,LHQ4,LJ,LJC1,LJG,LSK,LVL,LVSH,LX2,LX4 |
| 3 | 14411-ZE1-611 | CHAIN, P.T.O. DRIVE (DID317FM2-34LE) | 1 | - | - | - | ----- | LH,LHP1,LHQ4,LJ,LJC1,LJG,LSK,LX2,LX4 |
| | 14411-ZF1-611 | | 1 | - | 1 | - | ----- | LAC,LHB2,LVL,LVSH |
| 4 | 23110-ZE1-610 | SPROCKET, DRIVE (13T) | 1 | - | 1 | - | ----- | LAC,LH,LHB2,LHP1,LHQ4,LJ,LJC1,LJG,LSK,LVL,LVSH,LX2,LX4 |
| 5 | 23710-ZE1-613 | SHAFT, P.T.O. (26T) | 1 | - | 1 | - | ----- | LAC,LH,LHB2,LHP1,LHQ4,LJ,LJC1,LJG,LSK,LVL,LVSH,LX2,LX4 |
| 6 | 90015-883-000 | BOLT, FLANGE, 6X28 | 5 | - | 5 | - | ----- | LAC,LH,LHB2,LHP1,LHQ4,LJ,LJC1,LJG,LSK,LVL,LVSH,LX2,LX4 |
| 7 | 90456-ZE1-000 | SPRING, THRUST | 1 | - | 1 | - | ----- | LAC,LH,LHB2,LHP1,LHQ4,LJ,LJC1,LJG,LSK,LVL,LVSH,LX2,LX4 |
| 8 | 90470-ZE1-000 | SPACER, 20MM | 1 | - | 1 | - | ----- | LAC,LH,LHB2,LHP1,LHQ4,LJ,LJC1,LJG,LSK,LVL,LVSH,LX2,LX4 |
| 9 | 90471-ZE1-610 | WASHER, 8MM | 1 | - | 1 | - | ----- | LAC,LH,LHB2,LHP1,LHQ4,LJ,LJC1,LJG,LSK,LVL,LVSH,LX2,LX4 |
| 10 | 90741-883-810 | KEY, 5X5X33(YELLOW) | 1 | - | - | - | ----- | LAC,LH,LHB2,LHP1,LHQ4,LJ,LJC1,LJG,LSK,LVL,LX2,LX4 |
| 11 | 91201-Z0T-801 | OIL SEAL, 25X41X6 | 1 | - | 1 | - | ----- | LAC,LH,LHB2,LHP1,LHQ4,LJ,LJC1,LJG,LSK,LVL,LVSH,LX2,LX4 |
| 12 | 92101-08025-0A | BOLT, HEX., 8X25 | 1 | - | 1 | - | ----- | LAC,LH,LHB2,LHP1,LHQ4,LJ,LJC1,LJG,LSK,LVL,LVSH,LX2,LX4 |
| 13 | 94301-08140 | DOWEL PIN, 8X14 | 2 | - | 2 | - | ----- | LAC,LH,LHB2,LHP1,LHQ4,LJ,LJC1,LJG,LSK,LVL,LVSH,LX2,LX4 |
| 14 | 96100-62050-00 | BEARING, RADIAL BALL, 6205 .. | 1 | - | 1 | - | ----- | LAC,LH,LHB2,LHP1,LHQ4,LJ,LJC1,LJG,LSK,LVL,LVSH,LX2,LX4 |



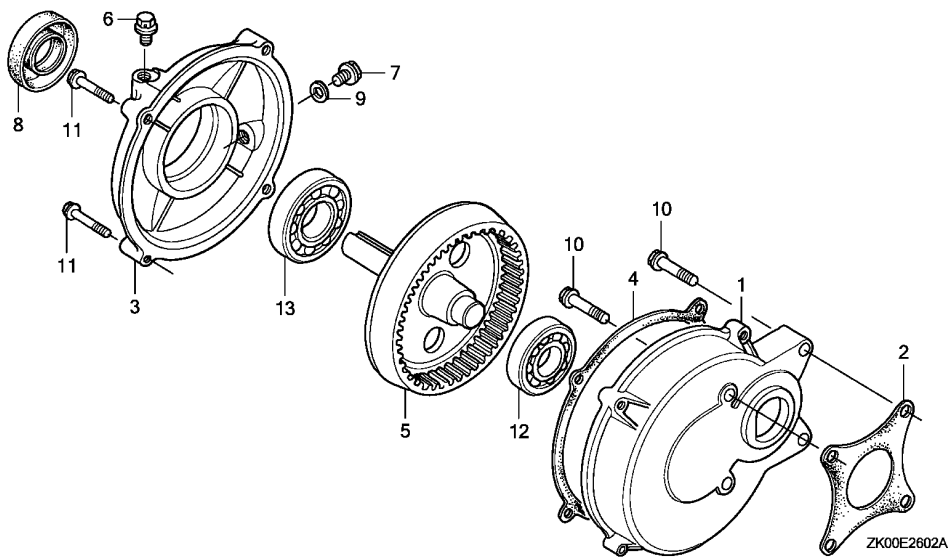


| Ref. No. | L.O.N. | (Relative ref. Number) Description | F.R.T. |
|----------|--------|---|--------|
| 1 | (2) | CASE, REDUCTION(R-TYPE) | 0.3 |
| 3 | (4) | COVER, REDUCTION AND/OR PACKING, REDUCTION COVER (R-TYPE) | 0.3 |
| 5 | 2141Z3 | CENTER, REDUCTION CLUTCH | 0.3 |
| 6 | 2141Z0 | DISC, REDUCTION CLUTCH FRICTION | 0.3 |
| 7 | 2141Z1 | PLATE, REDUCTION CLUTCH | 0.3 |
| 8 | 2141Z2 | PLATE, REDUCTION CLUTCH PRESSURE | 0.3 |
| 14 | 2141X1 | SPROCKET, POWER TAKE OFF DRIVE CHAIN(R-TYPE) | 0.3 |
| 15 | 2141W3 | CHAIN, POWER TAKE OFF DRIVE (R-TYPE) | 0.3 |
| 16 | 2141V8 | SHAFT, POWER TAKE OFF(R-TYPE) | 0.3 |
| 22 | 2141X4 | OIL SEAL, POWER TAKE OFF SHAFT (R-TYPE) :REAR | 0.3 |
| 31 | 2141Y5 | BEARING, POWER TAKE OFF SHAFT (R-TYPE) :FRONT | 0.4 |
| 32 | 2141X9 | BEARING, POWER TAKE OFF SHAFT (R-TYPE) :REAR | 0.4 |

| Ref. No. | Part No. | Description | Reqd. QTY | | | | Serial No. | Parts catalogue code |
|----------|----------------|--------------------------------|-----------|-----|-----|---------|---|----------------------|
| | | | (1) | (2) | (3) | (4) | | |
| 1 | 21510-883-621 | CASE, REDUCTION | 1 | - | - | - | RH,RHA2,RHQ4,RH2,RH26,RJE,RMG2,RX,RXU,RX2,RX4 | |
| 2 | 21591-ZH8-620 | PACKING, REDUCTION CASE | 1 | - | - | - | RH,RHA2,RHQ4,RH2,RH26,RJE,RMG2,RX,RXU,RX2,RX4 | |
| 3 | 21610-822-611 | COVER, REDUCTION | 1 | - | - | - | RH,RHA2,RHQ4,RH2,RH26,RJE,RMG2,RX,RXU,RX2,RX4 | |
| 4 | 21691-ZH8-800 | PACKING, REDUCTION COVER | 1 | - | - | - | RH,RHA2,RHQ4,RH2,RH26,RJE,RMG2,RX,RXU,RX2,RX4 | |
| 5 | 22121-883-620 | CENTER, CLUTCH | 1 | - | - | - | RH,RHA2,RHQ4,RH2,RH26,RJE,RMG2,RX,RXU,RX2,RX4 | |
| 6 | 22201-822-610 | DISK, CLUTCH FRICTION | 2 | - | - | - | RH,RHA2,RHQ4,RH2,RH26,RJE,RMG2,RX,RXU,RX2,RX4 | |
| 7 | 22311-822-610 | PLATE, CLUTCH | 2 | - | - | - | RH,RHA2,RHQ4,RH2,RH26,RJE,RMG2,RX,RXU,RX2,RX4 | |
| 8 | 22350-822-610 | PLATE COMP., CLUTCH PRESSURE | 1 | - | - | - | RH,RHA2,RHQ4,RH2,RH26,RJE,RMG2,RX,RXU,RX2,RX4 | |
| 9 | 22411-822-611 | SPRING, CLUTCH FREE | 4 | - | - | - | RH,RHA2,RHQ4,RH2,RH26,RJE,RMG2,RX,RXU,RX2,RX4 | |
| 10 | 22421-822-610 | HOLDER, CLUTCH SPRING | 4 | - | - | - | RH,RHA2,RHQ4,RH2,RH26,RJE,RMG2,RX,RXU,RX2,RX4 | |
| 11 | 22521-822-610 | WEIGHT, CLUTCH | 48 | - | - | - | RH,RHA2,RHQ4,RH2,RH26,RJE,RMG2,RX,RXU,RX2,RX4 | |
| 12 | 22531-883-620 | HOLDER, CLUTCH WEIGHT | 1 | - | - | - | RH,RHA2,RHQ4,RH2,RH26,RJE,RMG2,RX,RXU,RX2,RX4 | |
| 13 | 22535-822-610 | CENTER, CLUTCH WEIGHT | 1 | - | - | - | RH,RHA2,RHQ4,RH2,RH26,RJE,RMG2,RX,RXU,RX2,RX4 | |
| 14 | 23120-883-620 | SPROCKET COMP., DRIVE | 1 | - | - | - | RH,RHA2,RHQ4,RH2,RH26,RJE,RMG2,RX,RXU,RX2,RX4 | |
| 15 | 23161-822-611 | CHAIN, DRIVE (RK428SH-36LE) .. | 1 | - | - | - | RH,RHA2,RHQ4,RH2,RH26,RJE,RMG2,RX,RXU,RX2,RX4 | |
| 16 | 23711-822-610 | SHAFT COMP., P.T.O. (28T) ... | 1 | - | - | - | RH,RHA2,RHQ4,RH2,RH26,RJE,RMG2,RX,RXU,RX2,RX4 | |
| 19 | 90403-883-620 | WASHER, THRUST, 20MM | 1 | - | - | - | RH,RHA2,RHQ4,RH2,RH26,RJE,RMG2,RX,RXU,RX2,RX4 | |
| 20 | 90741-883-621 | KEY, 5MM | 1 | - | - | - | RH,RHA2,RHQ4,RH2,RH26,RJE,RMG2,RX,RXU,RX2,RX4 | |
| 21 | 90741-889-810 | KEY, 7X7X33(YELLOW) | 1 | - | - | - | RH,RHA2,RHQ4,RH2,RH26,RJE,RMG2,RX,RXU,RX2,RX4 | |
| 22 | 91202-805-610 | OIL SEAL (PJ30507) | 1 | - | - | - | RHA2,RHQ4,RH2,RH26,RMG2,RXU,RX2,RX4 | |
| | 91202-Z2F-801 | OIL SEAL, 30X50X7 | 1 | - | - | 2189429 | RH,RJE,RX | |
| 23 | 91301-805-000 | O-RING, 26X2.7 | 1 | - | - | 2189430 | RH,RJE,RX | |
| 24 | 92101-08035-0A | BOLT, HEX., 8X35 | 1 | - | - | - | RH,RHA2,RHQ4,RH2,RH26,RJE,RMG2,RX,RXU,RX2,RX4 | |
| 25 | 92800-12000 | BOLT, DRAIN PLUG, 12MM | 1 | - | - | - | RH,RHA2,RHQ4,RH2,RH26,RJE,RMG2,RX,RXU,RX2,RX4 | |

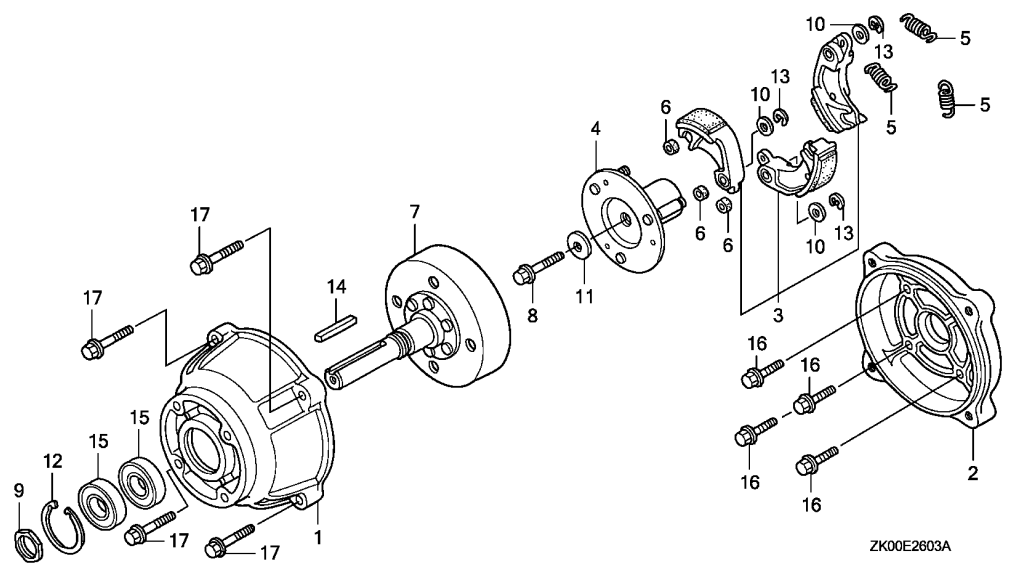


| Ref. No. | Part No. | Description | Reqd. QTY | | | | Serial No. | Parts catalogue code |
|----------|----------------|----------------------------|-----------|-----------|-----|-----|---|----------------------|
| | | | (1) | GX200 (2) | (3) | (4) | | |
| 26 | 94109-12000 | WASHER, DRAIN PLUG, 12MM | 1 | - | - | - | RH,RHA2,RHQ4,RH2,RH26,RJE,RMG2,RX,RXU,RX2,RX4 | |
| 27 | 94111-08800 | WASHER, SPRING, 8MM | 1 | - | - | - | RH,RHA2,RHQ4,RH2,RH26,RJE,RMG2,RX,RXU,RX2,RX4 | |
| 28 | 94301-08100 | DOWEL PIN, 8X10 | 2 | - | - | - | RH,RHA2,RHQ4,RH2,RH26,RJE,RMG2,RX,RXU,RX2,RX4 | |
| 29 | 95701-06055-00 | BOLT, FLANGE, 6X55 | 9 | - | - | - | RH,RHA2,RHQ4,RH2,RH26,RJE,RMG2,RX,RXU,RX2,RX4 | |
| 30 | 95701-08022-00 | BOLT, FLANGE, 8X22 | 5 | - | - | - | RH,RHA2,RHQ4,RH2,RH26,RJE,RMG2,RX,RXU,RX2,RX4 | |
| 31 | 96100-62050-00 | BEARING, RADIAL BALL, 6205 | 1 | - | - | - | RH,RHA2,RHQ4,RH2,RH26,RJE,RMG2,RX,RXU,RX2,RX4 | |
| 32 | 96100-62060-00 | BEARING, RADIAL BALL, 6206 | 1 | - | - | - | RH,RHA2,RHQ4,RH2,RH26,RJE,RMG2,RX,RXU,RX2,RX4 | |
| 33 | 15600-ZH7-000 | CAP ASSY., OIL FILLER | 1 | - | - | - | RH,RHA2,RHQ4,RH2,RH26,RJE,RMG2,RX,RXU,RX2,RX4 | |



| Ref. No. | L.O.N. | (Relative ref. Number) Description | F.R.T. |
|----------|--------|---|--------|
| 1 | | (4) | |
| 1 | 2141Y7 | CASE, REDUCTION(H-TYPE) | 0.2 |
| 2 | 2141Q0 | PACKING, REDUCTION CASE | 0.2 |
| 3 | 2141W8 | COVER, REDUCTION AND/OR PACKING, REDUCTION COVER (H-TYPE) | 0.2 |
| 5 | 2141V9 | SHAFT, POWER TAKE OFF(H-TYPE) | 0.2 |
| 8 | 2141X5 | OIL SEAL, POWER TAKE OFF SHAFT (H-TYPE) :REAR | 0.2 |
| 12 | 2141Y4 | BEARING, POWER TAKE OFF SHAFT (H-TYPE) :FRONT | 0.3 |
| 13 | 2141Y0 | BEARING, POWER TAKE OFF SHAFT (H-TYPE) :REAR | 0.3 |

| Ref. No. | Part No. | Description | Reqd. QTY | | | | Serial No. | Parts catalogue code |
|----------|----------------|--------------------------------|-----------|--------------|-----|-----|--------------------|----------------------|
| | | | (1) | GX200 (2) | (3) | (4) | | |
| 1 | 21521-883-741 | CASE, REDUCTION | 1 | - | - | - | HX, HXU, HX2, HX26 | |
| 2 | 21591-ZH8-740 | PACKING, REDUCTION CASE | 1 | - | - | - | HX, HXU, HX2, HX26 | |
| 3 | 21621-883-741 | COVER, REDUCTION | 1 | - | - | - | HX, HXU, HX2, HX26 | |
| 4 | 21692-ZH8-800 | PACKING, REDUCTION COVER | 1 | - | - | - | HX, HXU, HX2, HX26 | |
| 5 | 23710-883-740 | SHAFT, P.T.O. | 1 | - | - | - | HX, HXU, HX2, HX26 | |
| 6 | 90002-883-740 | BOLT, BREATHING | 1 | - | - | - | HX, HXU, HX2, HX26 | |
| 7 | 90131-883-000 | BOLT, DRAIN PLUG, 12X15 | 1 | - | - | - | HX, HXU, HX2, HX26 | |
| 8 | 91201-Z0T-801 | OIL SEAL, 25X41X6 | 1 | - | - | - | HX, HXU, HX2, HX26 | |
| 9 | 94109-12000 | WASHER, DRAIN PLUG, 12MM | 1 | - | - | - | HX, HXU, HX2, HX26 | |
| 10 | 95701-08032-08 | BOLT, FLANGE, 8X32 | 4 | - | - | - | HX, HXU, HX2, HX26 | |
| 11 | 95701-08035-00 | BOLT, FLANGE, 8X35 | 4 | - | - | - | HX, HXU, HX2, HX26 | |
| 12 | 96100-62040-00 | BEARING, RADIAL BALL, 6204 .. | 1 | - | - | - | HX, HXU, HX2, HX26 | |
| 13 | 96100-63050-00 | BEARING, RADIAL BALL, 6305 .. | 1 | - | - | - | HX, HXU, HX2, HX26 | |

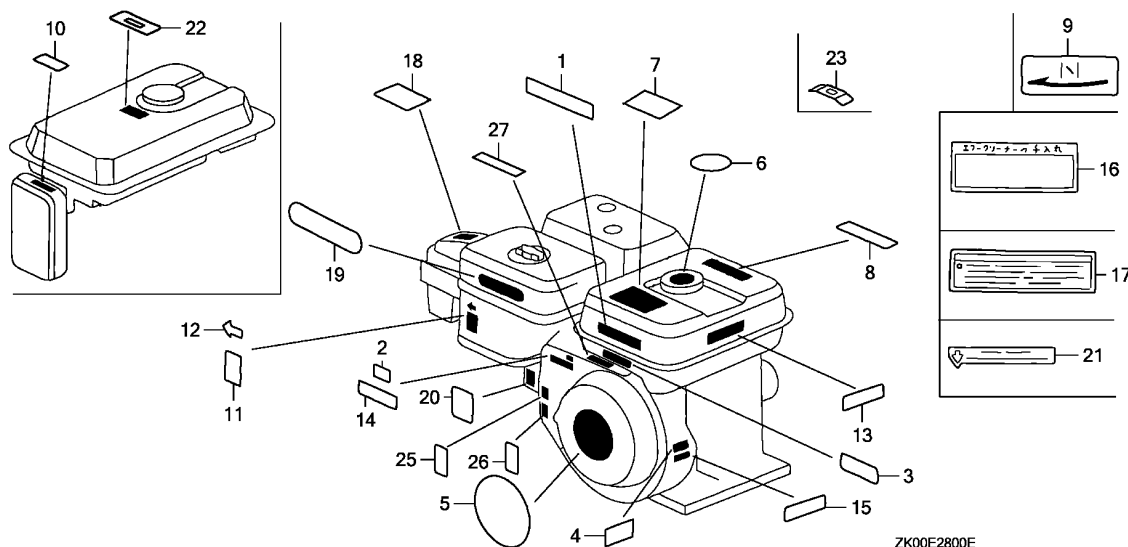


ZK00E2603A

| Ref. No. | L.O.N. | (Relative ref. Number) Description | F.R.T. |
|----------|--------|---|--------|
| 1 | 2141Z4 | COVER, REDUCTION CLUTCH | 0.3 |
| 2 | 2141Z5 | CASE, REDUCTION CLUTCH | 0.3 |
| 3 | 2141M8 | WEIGHT SET, REDUCTION CLUTCH | 0.3 |
| | | .NOTE: Same time for two units or more | |
| 4 | 2141M7 | PLATE, REDUCTION DRIVE | 0.3 |
| 7 | 2141W1 | SHAFT, POWER TAKE OFF(BL-TYPE) | 0.2 |
| 15 | 2141Z6 | BEARING, POWER TAKE OFF SHAFT (BL-TYPE) | 0.3 |
| | | .NOTE: Same time for two units | |

| Ref. No. | Part No. | Description | Reqd. QTY | | | | Serial No. | Parts catalogue code |
|----------|----------------|-------------------------------|-----------|-----|-----|-----|------------|----------------------|
| | | | (1) | (2) | (3) | (4) | | |
| 1 | 21121-ZLO-W80 | COVER, CLUTCH | 1 | - | - | - | ----- | BL |
| 2 | 21512-ZLO-W80 | CASE, CLUTCH | 1 | - | - | - | ----- | BL |
| 3 | 22010-ZLO-W80 | WEIGHT SET, CLUTCH | 1 | - | - | - | ----- | BL |
| 4 | 22350-ZLO-W81 | PLATE COMP., DRIVE | 1 | - | - | - | ----- | BL |
| 5 | 22401-ZLO-W81 | SPRING, CLUTCH | 3 | - | - | - | ----- | BL |
| 6 | 22804-148-000 | RUBBER, CLUTCH DAMPER | 3 | - | - | - | ----- | BL |
| 7 | 23150-ZLO-W81 | SHAFT COMP., P.T.O. | 1 | - | - | - | ----- | BL |
| 8 | 90101-GBL-000 | BOLT, FLANGE, 8X35 | 1 | - | - | - | ----- | BL |
| 9 | 90202-881-000 | NUT, LOCK, 24MM | 1 | - | - | - | ----- | BL |
| 10 | 90442-KG8-000 | WASHER, 9X16X1.4 | 3 | - | - | - | ----- | BL |
| 11 | 90471-435-770 | WASHER, 8MM | 1 | - | - | - | ----- | BL |
| 12 | 90602-ZLO-W80 | CIRCLIP, INTERNAL, 47 | 1 | - | - | - | ----- | BL |
| 13 | 90605-166-720 | CIRCLIP, 7MM | 3 | - | - | - | ----- | BL |
| 14 | 90745-ZE1-600 | KEY, 4.78X4.78X38 | 1 | - | - | - | ----- | BL |
| 15 | 91008-ZLO-W81 | BEARING, RADIAL BALL, 6005 .. | 2 | - | - | - | ----- | BL |
| 16 | 95701-08022-00 | BOLT, FLANGE, 8X22 | 4 | - | - | - | ----- | BL |
| 17 | 95701-08035-00 | BOLT, FLANGE, 8X35 | 4 | - | - | - | ----- | BL |





Ref. L.O.N. (Relative ref. Number) F.R.T.
No. Description

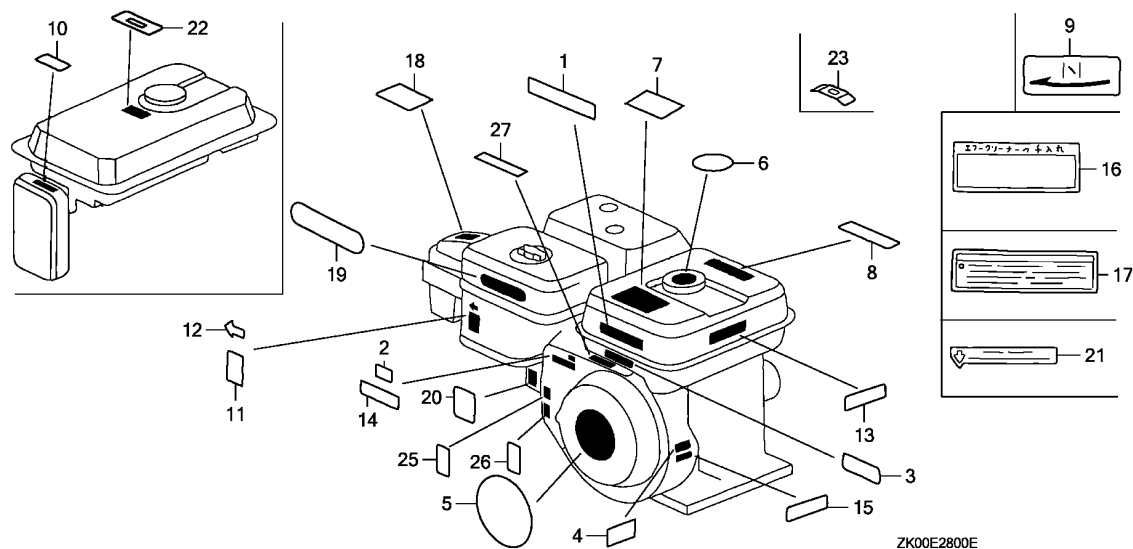
NO INFORMATION

2

| Ref. No. | Part No. | Description | Reqd. QTY | | | | Serial No. | Parts catalogue code |
|----------|---------------|--------------------------------------|-----------|-----|-----|-----|---|----------------------|
| | | | (1) | (2) | (3) | (4) | | |
| 1 | 87520-ZH8-000 | MARK A, COMBINATION | 1 | - | - | - | LJ,LJC1,LJG,LSK,NJ,NJG,NMB,NTB,QJF,QJF1,QXF1,SJ,SJG,SM11,SM21 VEE1,VEN1,VES1,VMG1 | |
| | 87522-ZH9-010 | LABEL, CAUTION (ENGLISH, ETC.) | 1 | - | 1 | - | BL,HX,HXU,HX2,HX26,LAC,LH,LHB2,LHP1,LVL,LVSH,LX2,NDJ,NTU,NW,NX PX,PXU,QAB2,QD,QG2,QH,QHP1,QH26,QM,QTP,QTP2,QVL,QVSH,QX,QXB2 QXC9,QXE2,QXE6,QXE8,QXS2,QXU,QX2,QX26,RH,RH2,RH26,RMG2,RX,RXU RX2,SD,SDB2,SH,SM12,SM22,SX,SXU,TX,TXU,TXU1,TX2,VGG2,VSD2,VX VXU,VXU1,VX2 | |
| | 87101-733-000 | MARK, TOP | - | 1 | - | - | SDNI | |
| | 87522-ZK7-800 | LABEL, CAUTION | - | - | - | 1 | | |
| 2 | 87124-ZV3-010 | MARK, EMERGENCY SWITCH INDICATION | - | 1 | - | - | | |
| 3 | 87135-ZE2-020 | LABEL, E-SPEC (15.5X27.5) ... | 1 | - | - | - | 1976969 LHQ4,LX4,QHQ4,QH4,QXE4,QX4,QX7,RHQ4,RX4,SHQ4,SMC4,SM14,SM24 SWG4,SXE4,SX4,SX7,VEN4,VSD,VSD1,VSD7,VS17,VX4 | |
| | | | 1 | - | - | - | 2092186 BL,HX,HXU,LAC,LH,LHB2,LHP1,LJ,LJC1,LJG,LVL,NDJ,NJ,NJC1,NJG,NMB NTB,NTU,NW,NX,PX,PXU,QAB2,QD,QH,QHP1,QJF,QJF1,QTP,QVL,QX,QXE8 QXF1,QXU,RH,RX,RXU,SD,SDB2,SH,SJ,SJG,SMG1,SMG2,SM11,SM21,SX SXU,TX,TXU,TXU1,VEE1,VEN,VEN1,VES,VES1,VMG1,VMT,VSW,VX,VXU VXU1 | |
| 4 | 87152-ZL0-010 | LABEL, SPECIFICATION | 1 | - | - | - | QJF,QJF1,QXF1,RJE,SJ,SJG,SMG1,SMG2,SM11,SM21,VEN,VES,VES1,VMG1 | |
| | 87152-ZL0-821 | | 1 | - | - | - | LJ,LJC1,LJG,LSK,NJ,NJG,NMB,NTB | |
| 5 | 87521-ZK0-801 | EMBLEM (7.0) | 1 | - | - | - | LVL,QVL | |
| | 87521-ZL0-W81 | EMBLEM | 1 | - | - | - | 2204533 BL | |

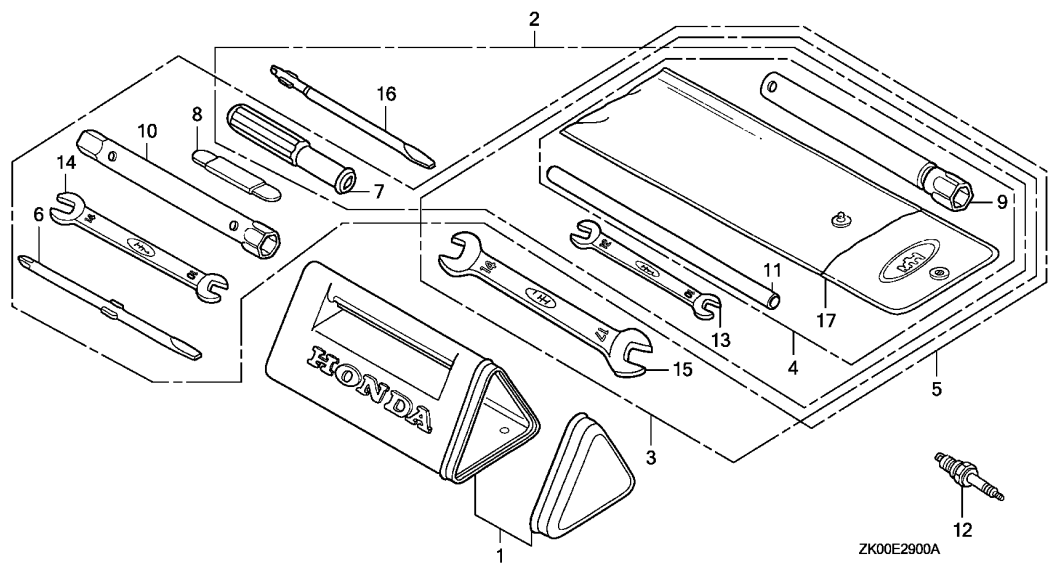
| Ref. No. | Part No. | Description | Reqd. QTY | | | | Serial No. | Parts catalogue code |
|----------|---------------|---------------------------------------|-----------|-----|-----|-----|------------|---|
| | | | (1) | (2) | (3) | (4) | | |
| (5) | 87521-ZL0-020 | EMBLEM (6.5) | 1 | - | - | - | ----- | HXU, HX2, HX26, LHQ4, LX2, LX4, NDJ, NX, PX, PXU, QD, QG2, QHQ4, QH26, QH4, QM, QTP2, QXB2, QXC9, QXE2, QXE4, QXE6, QXE8, QXH4, QXS2, QXU, QX2, QX26, QX4, QX7, RHA2, RHQ4, RH2, RH26, RMG2, RXU, RX2, RX4, SDB2, SHQ4, SMC4, SM12, SM14, SM22, SM24, SWG4, SXE4, SXU, SX4, SX7, TXU, TXU1, TX2, VEN2, VEN4, VGG2, VPM4, VSD, VSD1, VSD2, VSD7, VS17, VXU1, VX2, VX4 |
| | | | 1 | - | - | - | 2204292 | HX, LAC, LH, LHB2, LHP1, LJ, LJC1, LJG, LSK, NJ, NJC1, NJG, NMB, NTB, NW, QAB2, QH, QHP1, QJF, QTP, QX, RH, RJE, RX, SD, SH, SJ, SJG, SMG1, SM11, SM21, SX, TX, VEE1, VEN, VEN1, VMG1, VMT, VX, VVK, VXU |
| | 87521-ZL0-030 | EMBLEM (GX200) | 1 | - | - | - | 2204293 | HX, LAC, LH, LHB2, LHP1, LJ, LJC1, LJG, LSK, NJ, NJC1, NJG, NMB, NTB, NW, QAB2, QH, QHP1, QJF, QTP, QX, RH, RJE, RX, SD, SH, SJ, SJG, SMG1, SM11, SM21, SX, TX, VEE1, VEN, VEN1, VMG1, VMT, VX, VVK, VXU |
| | | | 1 | - | - | - | 2204534 | BL |
| 6 | 87522-ZE1-810 | MARK, CAUTION | 1 | - | 1 | - | ----- | BL, LHB2, LVL, LVSH, QAB2, QVL, QVSH, SDB2 |
| | 87106-ZH8-S00 | MARK, FUEL CAUTION (SHJ) | - | - | 1 | - | ----- | SDNI |
| 7 | 87522-ZH8-W41 | MARK, CAUTION (PICTOGRAPH) .. | 1 | - | - | - | ----- | LHQ4, LX4, QHQ4, QH4, QXB2, QXE4, QXH4, QX4, QX7, RHQ4, RX4, SHQ4, SMC4, SM14, SM24, SWG4, SXE4, SX4, SX7, VSD, VSD7, VX4 |
| | 87522-ZB3-K01 | MARK, FIRE DANGER | - | - | 1 | - | ----- | SDNI |
| 8 | 87526-ZH8-000 | MARK B, COMBINATION | 1 | - | - | - | ----- | LJ, LJC1, LJG, LSK, NJ, NJC1, NJG, NMB, NTB, QJF, QJF1, QXF1, SJ, SJG, SM11, SM21, VEE1, VEN1, VES1, VMG1 |
| 9 | 87528-ZB2-000 | MARK, CHOKE | 1 | - | - | - | ----- | VEN, VES |
| | 87528-ZB2-630 | | 1 | - | - | - | ----- | VEN4, VMT, VSD1, VSD2, VS17 |
| 10 | 87528-ZB2-630 | MARK, CHOKE | 1 | - | - | - | ----- | VPM4 |
| 11 | 87528-ZE1-810 | MARK, CHOKE | 1 | - | 1 | - | ----- | BL, HX, HXU, HX2, HX26, LAC, LH, LHB2, LHP1, LJ, LJC1, LJG, LSK, LVL, LVSH, LX2, NDJ, NJ, NJG, NW, NX, PX, PXU, QAB2, QD, QG2, QH, QHP1, QH26, QJF, QM, QTP, QVL, QVSH, QX, QXB2, QXC9, QXE2, QXE6, QXE8, QXS2, QXU, QX2, QX26, RH, RHA2, RH2, RH26, RJE, RMG2, RX, RXU, RX2, SD, SDB2, SH, SJ, SJG, SM11, SM12, SM21, SM22, SX, SXU, TX, TXU, TXU1, TX2, VEE1, VEN1, VES1, VGG2, VX, VVK, VXU, VXU1, VX2 |
| | 87528-777-000 | | - | - | - | 1 | ----- | SM11, VMG1 |
| | 87528-733-E91 | MARK, CHOKE (H=34) | 1 | - | - | - | ----- | LHQ4, LX4, QHQ4, QXB2, QXE4, QX4, QX7, RHQ4, RX4, SHQ4, SMC4, SM14, SM24, SXE4, SX4, SX7, VSD, VSD7, VX4 |
| | 87528-ZH8-S00 | MARK, CHOKE | - | - | 1 | - | ----- | SDNI |
| 12 | 87528-883-661 | MARK, CHOKE | - | 1 | - | - | ----- | |
| 13 | 87532-ZB4-H50 | MARK, OIL ALERT (FRENCH) | 1 | - | - | - | ----- | HX26, QXE6, QX26 |
| | 87532-ZH8-000 | MARK, OIL ALERT (INTERNAL) .. | 1 | - | - | - | ----- | LJC1, QXF1, SM21, VEE1, VEN1, VES1, VMG1 |
| | 87532-ZH8-810 | MARK, OIL ALERT (EXTERNAL) .. | 1 | - | - | - | ----- | HX, HXU, HX2, HX26, LX2, NX, PX, PXU, QG2, QTP2, QX, QXC9, QXE2, QXE6, QXE8, QXS2, QXU, QX2, QX26, RX, RXU, RX2, SM12, SM22, SX, SXU, TX, TXU, TXU1, TX2, VGG2, VSD2, VX, VXU, VXU1, VX2 |
| | 87532-ZK7-800 | MARK, OIL ALERT | - | - | - | 1 | ----- | QXBR, TXBR, VXBR |
| 14 | 87532-ZH8-W40 | MARK, THROTTLE INDICATION ... | 1 | - | - | - | ----- | LHQ4, LX4, QHQ4, QH4, QXB2, QXE4, QXH4, QX4, QX7, RHQ4, RX4, SHQ4, SMC4, SM14, SM24, SWG4, SXE4, SX4, SX7, VX4 |
| | | | - | 1 | - | - | ----- | |
| 15 | 87532-ZH8-810 | MARK, OIL ALERT (EXTERNAL) .. | - | 1 | - | - | ----- | |
| 16 | 87533-ZA7-000 | MARK, AIR CLEANER | 1 | - | - | - | ----- | VEN, VES |
| 17 | 87533-ZC0-630 | MARK, AIR CLEANER | 1 | - | - | - | ----- | VEN4, VMT |
| 18 | 87534-ZE1-841 | LABEL, AIR CLEANER CAUTION .. | 1 | - | - | - | ----- | QTP2, QXC9 |
| 19 | 87535-ZE1-841 | MARK, AIR CLEANER SALES POINT | 1 | - | - | - | ----- | QH4, QTP2, QXC9, QXH4 |
| 20 | 87535-ZH8-V00 | MARK, CARBURETOR DRAIN | 1 | - | - | - | ----- | SMG1, SMG2 |
| 21 | 87539-898-620 | MARK, EX. CAUTION (ENGLISH/FRENCH) | 1 | - | - | - | ----- | VMT |
| 22 | 87565-ZB4-A00 | PLATE, FUEL INDICATION | 1 | - | - | - | ----- | VMT |





2

| Ref. No. | Part No. | Description | Reqd. QTY | | | | Serial No. | Parts catalogue code | |
|----------|---------------|---|-----------|-----|-----|-----|------------|---------------------------------------|--|
| | | | (1) | (2) | (3) | (4) | | | |
| 23 | 87565-ZE2-000 | MARK, FUEL INDICATION (JAPANESE) | 1 | - | - | - | ----- | LJG,LSK,NJG,NMB,NTB,QJF,SJG,VEE1,VEN1 | |
| | 87565-ZE2-810 | MARK, FUEL INDICATION (ENGLISH) | 1 | - | - | - | ----- | LAC,QTP2 | |
| 25 | 87135-ZE2-020 | LABEL, E-SPEC (15.5X27.5) ... | 1 | - | - | - | ----- | 2092186 LAC,RJE,VSW | |
| 26 | 87114-ZH7-000 | LABEL, WARNING (NOT CERTIFIED FOR SALE) | 1 | - | - | - | ----- | LAC,LSK,VSW1,VXK | |
| | | | 1 | - | - | - | 2033438 | ----- | BL,HX,LH,LHB2,LHP1,LJC1,LVL,NJC1,NJG,NTB,NTU,NW,PX,QAB2,QD,QH,QHP1,QJF,QJF1,QM,QTP,QVL,QX,QXF1,RH,RJE,RX,SD,SDB2,SH,SJG,SMG1,SMG2,SM11,SM21,SX,TX,VEE1,VEN,VEN1,VES,VES1,VMG1,VMT,VX |
| | | | 1 | - | - | - | 2075992 | ----- | VSW |
| | | | 1 | - | - | - | 2077890 | ----- | LJ,LJG,NJ,NMB,NX,SJ,VXU |
| 27 | 87516-ZM7-801 | MARK, OPERATOR CAUTION | 1 | - | - | - | ----- | VSW1,VXK | |

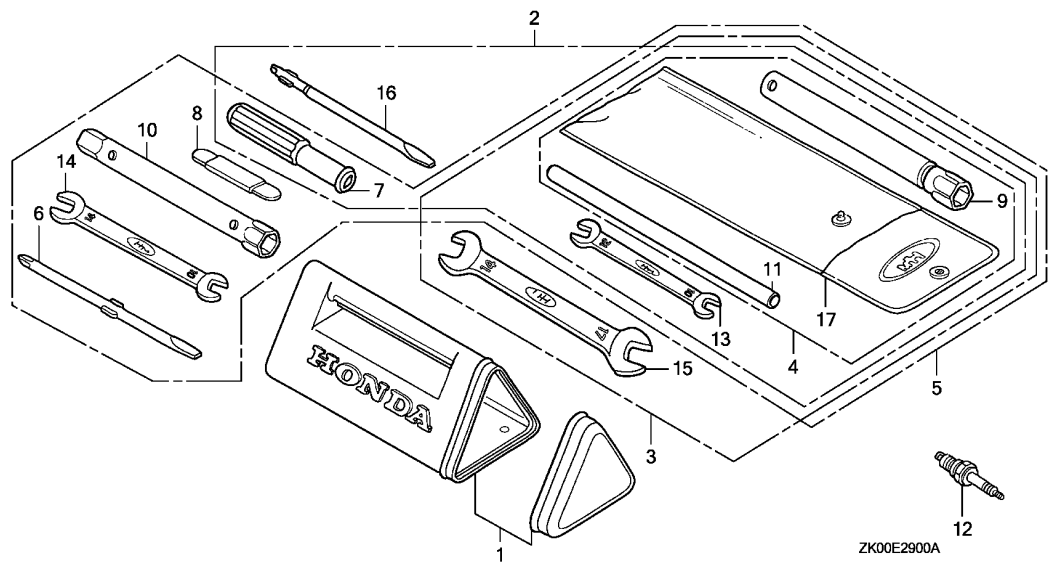


Ref. L.O.N. (Relative ref. Number) F.R.T.
No. Description

NO INFORMATION

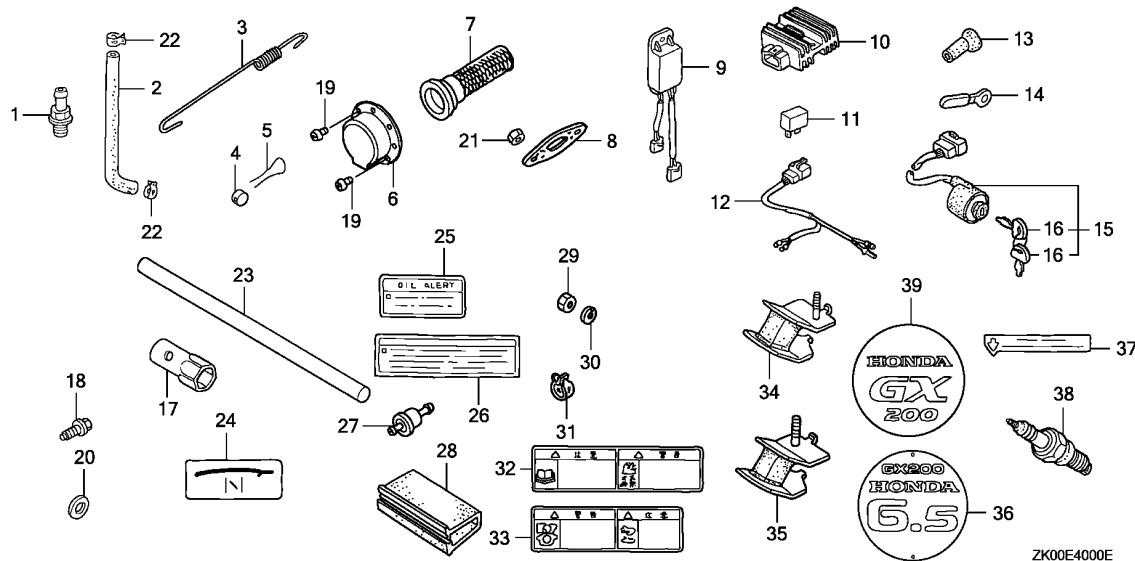
| Ref. No. | Part No. | Description | Reqd. QTY | | | | Serial No. | Parts catalogue code |
|----------|---------------|------------------------------|-----------|-----|-----|-----|--|----------------------|
| | | | (1) | (2) | (3) | (4) | | |
| 1 | 83501-ZF1-000 | BOX, TOOL | 1 | - | - | - | LAC,LHB2,QAB2,QM,SDB2 | |
| 2 | 89000-ZB6-000 | TOOL KIT | 1 | - | - | - | LVL,QVL | |
| 3 | 89000-ZE1-000 | TOOL KIT | 1 | - | - | - | LHP1,QHP1,QTP,SWG4 | |
| 4 | 89000-ZH7-T00 | TOOL KIT | 1 | - | - | - | BL | |
| 5 | 89001-ZF1-000 | BAG SET, TOOL | 1 | - | - | - | LAC,LHB2,QAB2,QM,SDB2 | |
| 6 | 89102-538-000 | DRIVER, SCREW (NO.2 + -) | 1 | - | - | - | LAC,LHB2,QAB2,QM,SDB2 | |
| 7 | 89103-538-000 | GRIP | 1 | - | - | - | LAC,LHB2,QAB2,QM,SDB2 | |
| | 99003-50000 | GRIP, SCREW DRIVER | 1 | - | - | - | LVL,QVL | |
| 8 | 89210-ZF1-000 | GAUGE ASSY., THICKNESS | 1 | - | - | - | LAC,LHB2,QAB2,QM,SDB2 | |
| 9 | 89216-ZB4-000 | WRENCH, PLUG | 1 | - | - | - | QJF1,QXF1 | |
| | 89218-ZE1-000 | WRENCH COMP., SPARK PLUG | 1 | - | - | - | BL,LAC,LHB2,LHP1,LJ,LJC1,LJG,LSK,NDJ,NJ,NJG,NMB,NTB,NTU,NW,QAB2,QHP1,QJF,QM,QTP,QTP2,QXC9,SDB2,SJ,SJG,SMC4,SMG1,SMG2,SM11,SM12,SM14,SM21,SM22,SM24,SWG4,VEE1,VES1,VMG1 | |
| | 99004-21001 | WRENCH, BOX (P21) | 1 | - | - | - | VEN,VEN2,VEN4,VES,VMT,VSW,VSW1 | |
| | 99004-21003 | | 1 | - | - | - | LVL,QVL | |
| 10 | 89216-ZF1-000 | WRENCH, BOX | 1 | - | - | - | LAC,LHB2,QAB2,QM,SDB2 | |
| | 89216-ZH8-S00 | WRENCH, PLUG | - | - | 1 | - | | |
| 11 | 89219-805-000 | HANDLE, BOX WRENCH | 1 | - | - | - | BL,LAC,LHB2,LHP1,QAB2,QHP1,QM,QTP,SDB2,SMG1,SMG2,SM11,SM12,SM14,SM21,SM22,SM24,SWG4,VMG1 | |
| | 99005-01000 | BAR A, HANDLE | 1 | - | 1 | - | LVL,QVL | |
| 12 | 98079-56841 | PLUG, SPARK (BP6ES)(NGK) | 1 | - | - | - | QM | |
| | 98079-56854 | PLUG, SPARK (W20EP-U)(DENSO) | 1 | - | - | - | QM | |
| 13 | 99001-10120 | SPANNER, 10X12 | 1 | - | - | - | LAC,LHB2,LHP1,LVL,QAB2,QHP1,QM,QTP,QVL,SDB2,SWG4 | |
| 14 | 99001-10140 | SPANNER, 10X14 | 1 | - | - | - | LAC,LHB2,QAB2,QM,SDB2 | |
| 15 | 99001-14170 | SPANNER, 14X17 | 1 | - | - | - | LHP1,QHP1,QTP,SWG4 | |





ZK00E2900A

| Ref. No. | Part No. | Description | Reqd. QTY | | | | Serial No. | Parts catalogue code |
|----------|-------------|-----------------------------|-----------|-----|-----|-----|---|----------------------|
| | | | (1) | (2) | (3) | (4) | | |
| 16 | 99003-30000 | DRIVER MINUS SCREW 3,(NO.2) | 1 | - | - | - | LVL,QVL | |
| 17 | 99008-02000 | BAG, TOOL, 200MM | 1 | - | - | - | LVL,QVL | |
| | 99008-02300 | BAG, TOOL, 230MM | 1 | - | - | - | BL,LAC,LHB2,LHP1,QAB2,QHP1,QM,QTP,SDB2,SWG4 | |

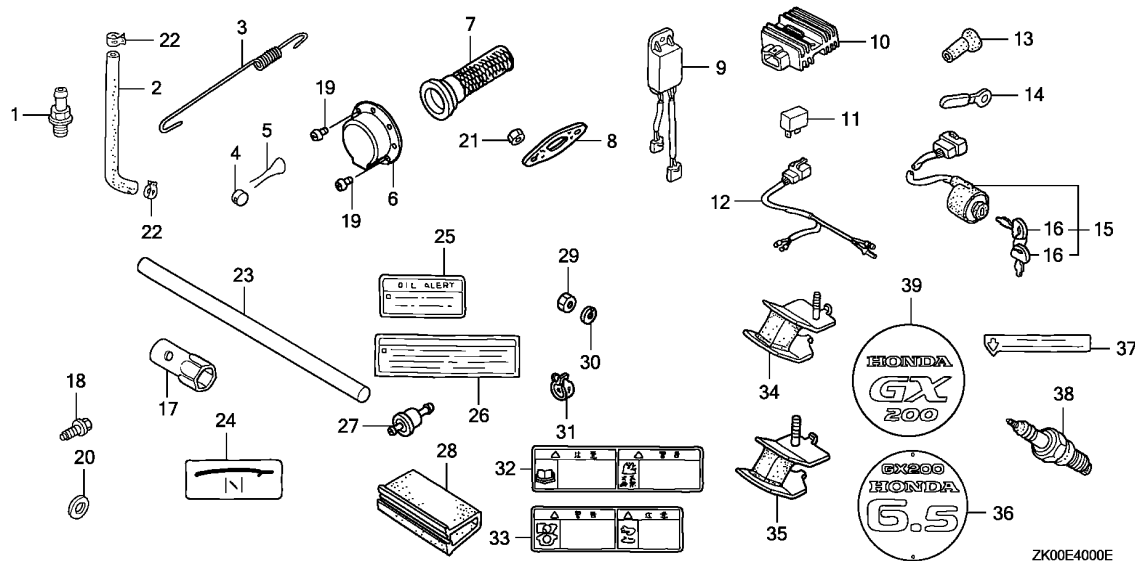


Ref. L.O.N. (Relative ref. Number) F.R.T.
No. Description

NO INFORMATION

| Ref. No. | Part No. | Description | Reqd. QTY | | | | Serial No. | Parts catalogue code |
|----------|----------------|--|-----------|-----|-----|-----|---|----------------------|
| | | | (1) | (2) | (3) | (4) | | |
| 1 | 15550-ZK8-P90 | JOINT, DRAIN | 2 | - | - | - | SM11,SM12,SM14 | |
| 2 | 15552-ZB9-000 | TUBE, DRAIN | 1 | - | - | - | SM11,SM12,SM14 | |
| 3 | 16561-ZL0-000 | SPRING, GOVERNOR | 1 | - | - | - | VPM4 | |
| 4 | 16727-705-000 | END, LOCK | 1 | - | - | - | VEE1 | |
| 5 | 16729-705-010 | WIRE, LOCK | 1 | - | - | - | VEE1 | |
| 6 | 18331-883-810 | CAP, MUFFLER | 1 | - | - | - | LAC,LSK,NDJ,SM11,SM12,SM14,SM21,SM22,SM24 | |
| 7 | 18355-ZE1-810 | ARRESTER, SPARK (SILENT) | 1 | - | - | - | VPM4 | |
| 8 | 18381-ZH8-800 | GASKET, MUFFLER | 1 | - | - | - | NTU,VPM4,VSD2 | |
| 9 | 31600-KE1-010 | RECTIFIER COMP., REGULATOR .. | 1 | - | - | - | NJC1,NMB | |
| 10 | 31600-ZE2-861 | RECTIFIER ASSY., REGULATOR (10A) | 1 | - | - | - | QH4,QXH4,RJE | |
| 11 | 31700-124-008 | RECTIFIER ASSY., SILICON (SHINDENGEN) | 1 | - | - | - | SMG1,SMG2 | |
| 12 | 32110-ZB5-G30 | HARNESS ASSY., SUB WIRE | 1 | - | - | - | QH4,QXH4,RJE | |
| 13 | 32411-253-000 | COVER, STARTER MOTOR TERMINAL | 1 | - | - | - | NJC1,RJE | |
| 14 | 32901-MA1-000 | CLIP, SUB CORD | 3 | - | - | - | SM21,SM22,SM24 | |
| 15 | 35100-752-023 | SWITCH ASSY., COMBINATION ... | 1 | - | - | - | NJC1 | |
| 16 | 35110-VA3-903 | KEY ASSY., COMBINATION SWITCH | 2 | - | - | - | NJC1 | |
| 17 | 89216-357-000 | WRENCH, BOX (P21) | 1 | - | - | - | NJC1 | |
| 18 | 90013-883-000 | BOLT, FLANGE, 6X12(CT200) ... | 2 | - | - | - | QJF1,QXF1 | |
| 19 | 90055-ZE1-000 | SCREW, TAPPING, 4X6 | 2 | - | - | - | LAC,LSK,NDJ,SM11,SM12,SM14,SM21,SM22,SM24 | |
| 20 | 90601-ZE1-000 | WASHER, DRAIN PLUG, 10.2MM .. | 1 | - | - | - | QJF1,QXF1 | |
| | | | 2 | - | - | - | LSK | |
| | | | 3 | - | - | - | SM11,SM12,SM14 | |
| 21 | 94001-08000-0S | NUT, HEX., 8MM | 2 | - | - | - | NTU,SWG4,VEN2,VPM4,VSD2 | |





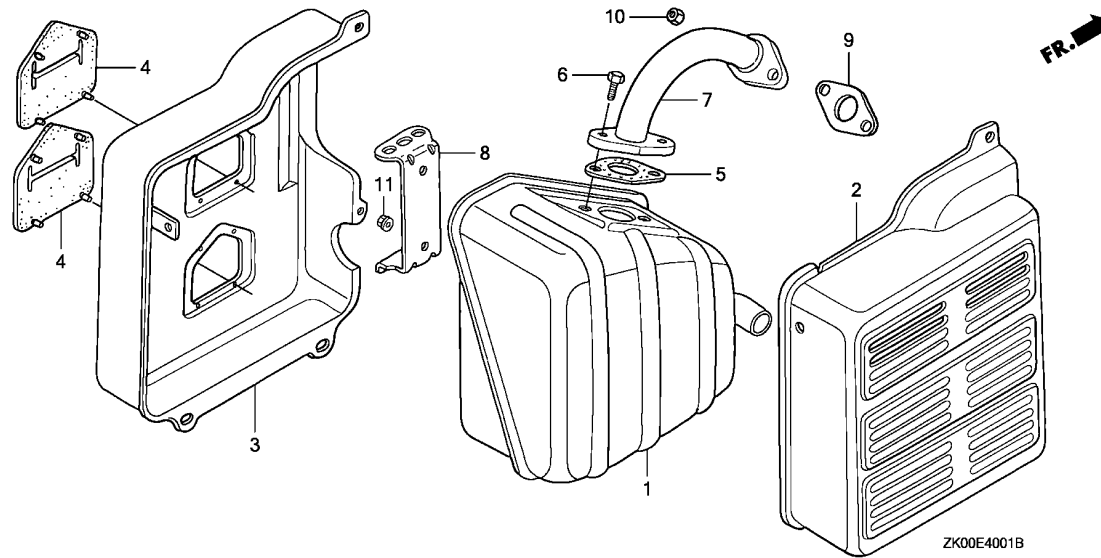
ZK00E4000E

| Ref. No. | Part No. | Description | Reqd. QTY | | | | Serial No. | Parts catalogue code |
|----------|----------------|---------------------------------------|-----------|-----|-----|---------|----------------|----------------------|
| | | | (1) | (2) | (3) | (4) | | |
| 22 | 95002-41200-08 | CLAMP, TUBE (D12) | 2 | - | - | - | SM11,SM12,SM14 | |
| 23 | 99005-01000 | BAR A, HANDLE | 1 | - | - | - | NJC1 | |
| 24 | 87528-ZB2-630 | MARK, CHOKE | 1 | - | - | - | VEN2,VSW,VSW1 | |
| 25 | 87532-ZH8-810 | MARK, OIL ALERT (EXTERNAL) | 1 | - | - | - | VEN2 | |
| 26 | 87533-ZC0-630 | MARK, AIR CLEANER | 1 | - | - | - | VEN2,VSW,VSW1 | |
| 27 | 16910-GB2-005 | STRAINER COMP., FUEL | 1 | - | - | - | RJE | |
| 28 | 91406-ZE2-003 | TUBE, FASTENER, 30MM | 1 | - | - | - | RJE | |
| 29 | 94001-04390-0S | NUT, HEX., 4MM | 2 | - | - | - | RJE | |
| 30 | 94111-04800 | WASHER, SPRING, 4MM | 2 | - | - | - | RJE | |
| 31 | 95002-40800-08 | CLAMP, TUBE (D8) | 7 | - | - | - | RJE | |
| 32 | 87520-ZL8-810 | MARK A, COMBINATION (J) | 1 | - | - | - | RJE | |
| 33 | 87526-ZL8-810 | MARK B, COMBINATION (J) | 1 | - | - | - | RJE | |
| 34 | 68326-ZB2-000 | RUBBER, FR. BOTTOM | 1 | - | - | - | VSW,VSW1 | |
| 35 | 68327-ZB2-000 | RUBBER, RR. BOTTOM | 1 | - | - | - | VSW,VSW1 | |
| 36 | 87521-ZL0-020 | EMBLEM (6.5) | 1 | - | - | 2204292 | VSW,VSW1 | |
| 37 | 87539-898-620 | MARK, EX. CAUTION (ENGLISH/FRENCH) | 1 | - | - | - | VSW,VSW1 | |
| 38 | 98079-56846 | PLUG, SPARK (BPR6ES)(NGK) | 1 | - | - | - | VSW,VSW1 | |
| | 98079-56841 | PLUG, SPARK (BP6ES)(NGK) | 1 | - | - | - | LAC | |
| 39 | 87521-ZL0-030 | EMBLEM (GX200) | 1 | - | - | 2204293 | VSW,VSW1 | |

E-40-1

OTHER PARTS(MUFFLER)

J 1



| Ref. No. | L.O.N. | (Relative ref. Number) Description | F.R.T. |
|--------------------------------|--------|--|--------|
| 1 | 3131C5 | MUFFLER, EXHAUST | 0.2 |
| 2 | 3131D9 | PROTECTOR, EXHAUST MUFFLER : OUTER | 0.1 |
| 3 | 3131D8 | PROTECTOR, EXHAUST MUFFLER : INNER | 0.2 |
| 4 | 3131G6 | SEAL, MUFFLER PROTECTOR | 0.2 |
| .NOTE: Same time for two units | | | |
| 5 | 3131B4 | GASKET, EXHAUST MUFFLER | 0.2 |
| 7 | 3131C9 | PIPE, EXHAUST | 0.2 |

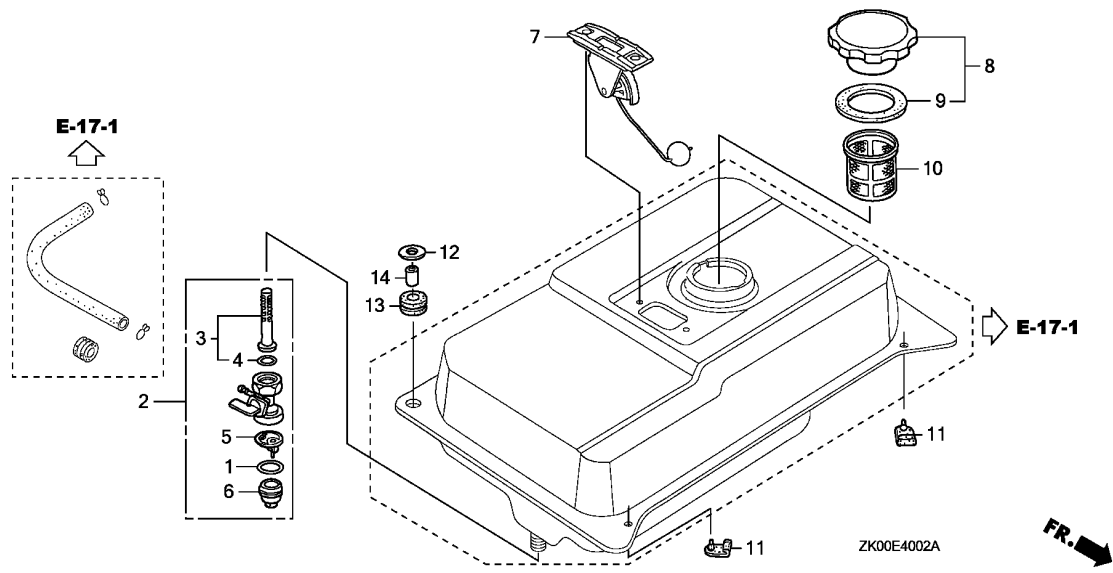
| Ref. No. | Part No. | Description | Reqd. QTY | | | | Serial No. | Parts catalogue code |
|----------|----------------|----------------------------------|-----------|-----------|-----|-----|---------------|----------------------|
| | | | (1) | GX200 (2) | (3) | (4) | | |
| 1 | 18310-ZB3-C00 | MUFFLER COMP. | 1 | - | - | - | VEN2,VSW,VSW1 | |
| 2 | 18320-ZB2-000 | PROTECTOR, MUFFLER OUTER | 1 | - | - | - | VEN2,VSW,VSW1 | |
| 3 | 18325-ZH8-T90 | PROTECTOR, MUFFLER INNER (DENYO) | 1 | - | - | - | VEN2,VSW,VSW1 | |
| 4 | 18329-ZB2-000 | SEAL, MUFFLER PROTECTOR | 2 | - | - | - | VEN2,VSW,VSW1 | |
| 5 | 18381-ZE1-800 | GASKET, MUFFLER | 1 | - | - | - | VEN2,VSW,VSW1 | |
| 6 | 92101-08020-0A | BOLT, HEX., 8X20 | 2 | - | - | - | VEN2 | |
| 7 | 18330-ZT0-000 | PIPE COMP., EX. | 1 | - | - | - | VSW,VSW1 | |
| 8 | 18338-ZB3-E30 | STAY, MUFFLER | 1 | - | - | - | VSW,VSW1 | |
| 9 | 18381-ZH8-800 | GASKET, MUFFLER | 1 | - | - | - | VSW,VSW1 | |
| 10 | 94001-08000-0S | NUT, HEX., 8MM | 2 | - | - | - | VSW,VSW1 | |
| 11 | 94050-06000 | NUT, FLANGE, 6MM | 2 | - | - | - | VSW,VSW1 | |

2

E-40-2

OTHER PARTS(FUEL COCK)

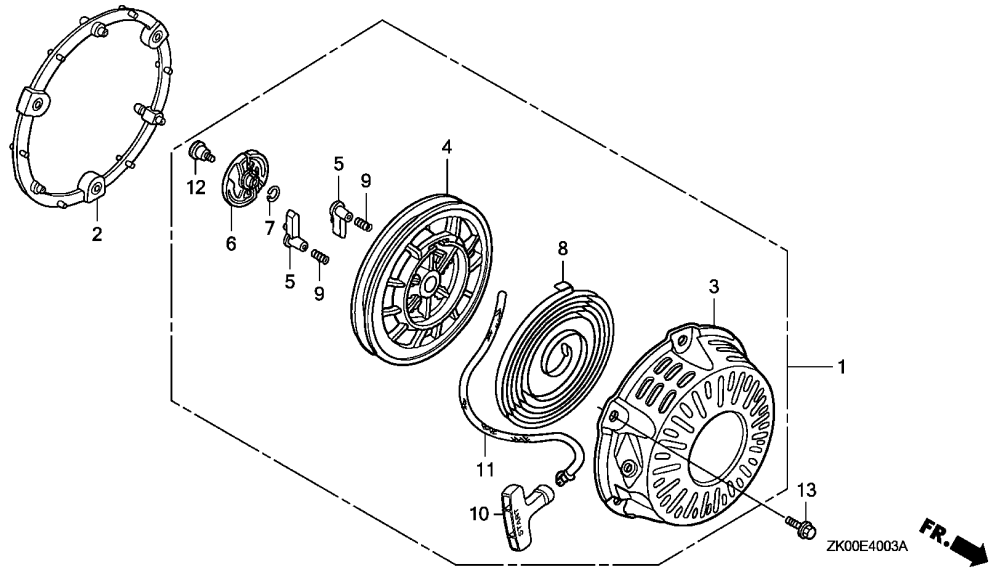
J 2



| Ref. No. | L.O.N. | (Relative ref. Number) Description | F.R.T. |
|----------|--------|------------------------------------|--------|
| 1 | | (5,6) | |
| 3101L6 | | PACKING, FUEL STRAINER CUP ... | 0.2 |
| 2 | 3101A3 | COCK, FUEL | 0.2 |
| 3 | | (4) | |
| 3101D5 | | SCREEN, FUEL STRAINER | 0.2 |
| 7 | 6171A1 | METER/GAUGE UNIT, FUEL | 0.1 |
| 10 | 3101A6 | FILTER, FUEL | 0.1 |

| Ref. No. | Part No. | Description | Reqd. QTY | | | | Serial No. | Parts catalogue code |
|----------|---------------|--------------------------------|-----------|-----------|-----|-----|------------|----------------------|
| | | | (1) | GX200 (2) | (3) | (4) | | |
| 1 | 16173-001-004 | PACKING, FUEL STRAINER CUP .. | 1 | - | - | - | VSW,VSW1 | |
| 2 | 16950-ZB4-015 | COCK ASSY., FUEL | 1 | - | - | - | VSW,VSW1 | |
| 3 | 16952-ZB4-005 | SCREEN, FUEL STRAINER | 1 | - | - | - | VSW,VSW1 | |
| 4 | 16958-397-771 | O-RING | 1 | - | - | - | VSW,VSW1 | |
| 5 | 16959-471-831 | FILTER, CUP | 1 | - | - | - | VSW,VSW1 | |
| 6 | 16967-GA6-671 | CUP, FUEL STRAINER | 1 | - | - | - | VSW,VSW1 | |
| 7 | 17505-ZB2-003 | METER ASSY., FUEL | 1 | - | - | - | VSW,VSW1 | |
| 8 | 17620-899-013 | CAP COMP., FUEL FILLER | 1 | - | - | - | VSW,VSW1 | |
| 9 | 17631-899-000 | PACKING, FUEL FILLER CAP | 1 | - | - | - | VSW,VSW1 | |
| 10 | 17670-899-000 | FILTER COMP., FUEL | 1 | - | - | - | VSW,VSW1 | |
| 11 | 50319-ZB2-000 | RUBBER, TANK MOUNTING | 2 | - | - | - | VSW,VSW1 | |
| 12 | 90503-898-000 | WASHER, TANK CUSHION | 2 | - | - | - | VSW,VSW1 | |
| 13 | 90851-898-000 | RUBBER, TANK CUSHION | 2 | - | - | - | VSW,VSW1 | |
| 14 | 91551-898-000 | COLLAR, TANK CUSHION | 2 | - | - | - | VSW,VSW1 | |

2



| Ref. No. | L.O.N. | (Relative ref. Number) Description | F.R.T. |
|----------|--------|---|--------|
| 1 | 1121B9 | STARTER, RECOIL | 0.1 |
| 2 | 1121B5 | SPACER, RECOIL STARTER MOUNTING | 0.1 |
| 4 | 1121B1 | REEL, RECOIL STARTER | 0.3 |
| 5 | 1121B0 | RATCHET, STARTER AND/OR SPRING, RATCHET | 0.2 |
| 6 | 1121A4 | GUIDE, RATCHET | 0.2 |
| 8 | 1121B7 | SPRING, RECOIL STARTER RETURN | 0.3 |
| 11 | 1121B3 | ROPE, RECOIL STARTER | 0.3 |

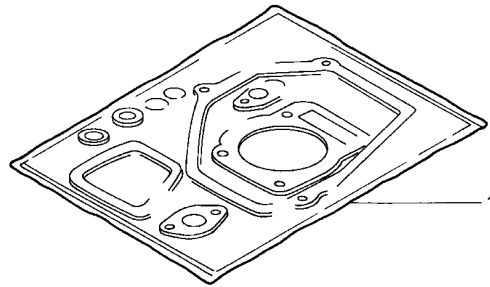
| Ref. No. | Part No. | Description | Reqd. QTY | | | | Serial No. | Parts catalogue code |
|----------|-----------------|--|-----------|-----|-----|-----|------------|----------------------|
| | | | (1) | (2) | (3) | (4) | | |
| 1 | 28400-ZB2-C02ZF | STARTER ASSY., RECOIL *NH105*...MAT BLACK (#15-#20) | 1 | - | - | - | VSW,VSW1 | |
| 2 | 28405-ZL0-000ZA | SPACER, RECOIL STARTER MOUNTING *NH1*...BLACK | 1 | - | - | - | VSW,VSW1 | |
| 3 | 28410-ZB2-C02ZF | CASE COMP., RECOIL STARTER *NH105*...MAT BLACK (#15-#20) | 1 | - | - | - | VSW,VSW1 | |
| 4 | 28420-ZH8-013 | REEL, RECOIL STARTER (NATURAL) | 1 | - | - | - | VSW,VSW1 | |
| 5 | 28422-ZH8-013 | RATCHET, STARTER | 2 | - | - | - | VSW,VSW1 | |
| 6 | 28433-ZH8-003 | GUIDE, RATCHET | 1 | - | - | - | VSW,VSW1 | |
| 7 | 28441-ZH8-003 | SPRING, FRICTION | 1 | - | - | - | VSW,VSW1 | |
| 8 | 28442-ZH8-003 | SPRING, RECOIL STARTER | 1 | - | - | - | VSW,VSW1 | |
| 9 | 28443-ZH8-003 | SPRING, RETURN | 2 | - | - | - | VSW,VSW1 | |
| 10 | 28461-ZE1-003 | KNOB, RECOIL STARTER | 1 | - | - | - | VSW,VSW1 | |
| 11 | 28462-ZH8-003 | ROPE, RECOIL STARTER | 1 | - | - | - | VSW,VSW1 | |
| 12 | 90003-ZH8-003 | SCREW, SETTING | 1 | - | - | - | VSW,VSW1 | |
| 13 | 95701-06018-00 | BOLT, FLANGE, 6X18 | 3 | - | - | - | VSW,VSW1 | |



EOP-1

GASKET KIT

J 4



HENG-X0003

| Ref. No. | L.O.N. | (Relative ref. Number) | Description | F.R.T. |
|----------|--------|------------------------|-------------|--------|
|----------|--------|------------------------|-------------|--------|

NO INFORMATION

| Ref. No. | Part No. | Description | Reqd. QTY | | | | Serial No. | Parts catalogue code |
|----------|---------------|------------------|-----------|-----|-----|-----|------------|----------------------|
| | | | (1) | (2) | (3) | (4) | | |
| 1 | 06111-ZL0-000 | GASKET KIT | 1 | - | 1 | 1 | | |

2

PART NO. INDEX

K 1

| Part Number | Address | Page | Ref. | Part Number | Address | Page | Ref. | Part Number | Address | Page | Ref. | Part Number | Address | Page | Ref. | | | | |
|---------------|---------|------|------|---------------|---------|------|------|---------------|---------|------|------|---------------|---------|------|---------------|---------------|-----|-----|----|
| 06000 | | | | 13103-ZL0-020 | D16 | 44 | 2 | 15550-ZK8-P90 | I15 | 123 | 1 | F13 | 73 | 11 | 16571-ZH8-S02 | H11 | 103 | 11 | |
| | | | | 13103-ZL0-801 | D15 | 43 | 2 | 15552-ZB9-000 | I15 | 123 | 2 | F7 | 67 | 13 | 16574-ZE1-000 | H11 | 103 | 13 | |
| 06111-ZL0-000 | J4 | 128 | 1 | 13104-ZL0-010 | D15 | 43 | 2 | 15600-ZE1-003 | D7 | 35 | 5 | F13 | 73 | 12 | H15 | 107 | 7 | | |
| | | | | 13104-ZL0-020 | D16 | 44 | 2 | | D9 | 37 | 3 | F6 | 66 | 13 | 16575-ZH8-000 | H11 | 103 | 14 | |
| | | | | 13104-ZL0-801 | D15 | 43 | 2 | 15600-ZF0-003 | D7 | 35 | 5 | F7 | 67 | 14 | H15 | 107 | 8 | | |
| 11000 | | | | 13111-ZE1-000 | D16 | 44 | 3 | 15600-ZG4-003 | D7 | 35 | 6 | J2 | 126 | 1 | 16576-891-000 | H11 | 103 | 15 | |
| 11300-ZE1-020 | D6 | 34 | 1 | 13200-ZE1-010 | D16 | 44 | 4 | 15600-ZH7-000 | I7 | 115 | 33 | F7 | 67 | 15 | H15 | 107 | 9 | | |
| 11300-ZE1-613 | D6 | 34 | 2 | 132A0-ZE1-000 | D16 | 44 | 4 | 15620-ZK7-800 | D7 | 35 | 7 | F12 | 72 | 4 | 16578-ZE1-000 | H11 | 103 | 16 | |
| 11300-ZE1-633 | D6 | 34 | 1 | 13310-Z0V-800 | D10 | 38 | 7 | 15625-ZE1-003 | D7 | 35 | 8 | F13 | 73 | 13 | H15 | 107 | 10 | | |
| 11300-ZE1-634 | D6 | 34 | 1 | 13310-Z0V-830 | D11 | 39 | 8 | | D9 | 37 | 4 | F7 | 67 | 16 | 16580-ZH8-030 | H11 | 103 | 17 | |
| 11300-ZE1-641 | D6 | 34 | 1 | 13310-Z0V-840 | D11 | 39 | 9 | 15721-883-030 | D2 | 30 | 8 | F12 | 72 | 5 | 16580-ZH8-813 | H11 | 103 | 17 | |
| 11300-ZE1-642 | D6 | 34 | 1 | 13310-Z0V-850 | D10 | 38 | 5 | 15721-ZE1-840 | D2 | 30 | 8 | F13 | 73 | 14 | H15 | 107 | 11 | | |
| 11300-ZH8-F01 | D9 | 37 | 1 | 13310-Z0V-880 | D10 | 38 | 6 | 15721-ZH8-000 | D2 | 30 | 8 | F7 | 67 | 17 | 16580-ZH8-853 | H11 | 103 | 17 | |
| 11300-ZL0-691 | D6 | 34 | 3 | 13310-ZL0-020 | D10 | 38 | 6 | | | | | F7 | 67 | 17 | H15 | 107 | 11 | | |
| 11381-ZL0-000 | D6 | 34 | 4 | 13310-ZL0-602 | D11 | 39 | 7 | 16000 | | | | F12 | 72 | 6 | 16582-883-300 | F7 | 67 | 19 | |
| | D9 | 37 | 2 | 13310-ZL0-611 | D10 | 38 | 2 | | | | | F7 | 67 | 18 | 16584-883-300 | E16 | 60 | 1 | |
| 11500-ZE1-610 | I5 | 113 | 1 | 13310-ZL0-612 | D10 | 38 | 2 | 16010-ZB1-015 | F13 | 73 | 1 | F12 | 72 | 7 | H12 | 104 | 18 | | |
| 11500-ZE1-611 | I5 | 113 | 1 | 13310-ZL0-621 | D10 | 38 | 3 | 16010-ZE0-025 | F4 | 64 | 1 | F13 | 73 | 15 | H15 | 107 | 12 | | |
| 11521-ZH8-800 | I5 | 113 | 2 | 13310-ZL0-652 | D11 | 39 | 9 | 16010-ZE1-812 | F4 | 64 | 1 | I2 | 110 | 1 | 16592-ZE1-810 | H12 | 104 | 19 | |
| | | | | 13310-ZL0-672 | D10 | 38 | 5 | 16010-ZH7-A20 | F4 | 64 | 1 | 16268-893-000 | I2 | 110 | 1 | H12 | 104 | 19 | |
| | | | | 13310-ZL0-691 | D10 | 38 | 4 | 16010-ZH7-A20 | F4 | 64 | 1 | 16269-ZE1-800 | F13 | 73 | 16 | H16 | 108 | 13 | |
| 12000 | | | | 13310-ZL0-692 | D10 | 38 | 4 | 16011-ZE0-005 | F4 | 64 | 2 | 16270-ZL0-V30 | I2 | 110 | 2 | 16594-883-010 | H12 | 104 | 20 |
| 12000-ZL0-406 | D4 | 32 | 1 | 13310-ZL0-871 | D10 | 38 | 5 | | | | | 16270-ZL0-w50 | I2 | 110 | 14 | 16598-ZE1-000 | F7 | 67 | 20 |
| 12000-ZL0-407 | D4 | 32 | 1 | 13310-ZL0-881 | D10 | 38 | 6 | 16013-ZE0-005 | F4 | 64 | 3 | 16271-ZE1-000 | F15 | 75 | 1 | 16599-ZG1-M10 | H12 | 104 | 21 |
| 12000-ZL0-416 | D4 | 32 | 1 | 13310-ZL0-891 | D10 | 38 | 7 | 16015-ZE0-831 | F13 | 73 | 3 | G4 | 80 | 1 | H16 | 108 | 14 | | |
| 12000-ZL0-417 | D4 | 32 | 1 | 13310-ZL0-A01 | D10 | 38 | 1 | | F5 | 65 | 4 | G5 | 81 | 1 | 16610-ZB2-000 | F13 | 73 | 17 | |
| 12204-ZE1-306 | D1 | 29 | 1 | 13310-ZL0-A02 | D10 | 38 | 1 | 16015-ZH7-A21 | F5 | 65 | 4 | 16273-ZL0-V30 | I2 | 110 | 3 | 16610-ZE1-000 | F8 | 68 | 21 |
| 12205-ZE1-315 | D1 | 29 | 2 | 13331-357-000 | H4 | 96 | 1 | 16016-ZE0-005 | F5 | 65 | 5 | 16500-ZH8-030 | H10 | 102 | 2 | F12 | 72 | 8 | |
| 12209-ZH8-003 | E1 | 45 | 1 | | | | | | F13 | 73 | 5 | 16500-ZH8-813 | H10 | 102 | 1 | 16610-ZE1-810 | F8 | 68 | 22 |
| 12210-ZL0-405 | D1 | 29 | 3 | 14000 | | | | 16016-ZH7-W01 | F5 | 65 | 6 | 16500-ZH8-823 | H14 | 106 | 1 | 16615-ZE1-010 | F8 | 68 | 23 |
| 12210-ZL0-415 | D1 | 29 | 3 | | | | | | F13 | 73 | 6 | 16500-ZH8-853 | H10 | 102 | 1 | 16617-890-010 | F8 | 68 | 24 |
| 12216-ZE5-300 | D1 | 29 | 4 | 14100-ZL0-000 | E1 | 45 | 2 | 16024-ZE1-811 | F5 | 65 | 7 | 16500-ZH8-863 | H10 | 102 | 1 | 16727-705-000 | I15 | 123 | 4 |
| 12251-ZL0-003 | D1 | 29 | 5 | 14100-ZL0-690 | E1 | 45 | 3 | | F5 | 65 | 7 | 16500-ZH8-873 | H14 | 106 | 1 | 16729-705-010 | I15 | 123 | 5 |
| 12310-ZE1-010 | D1 | 29 | 6 | 14100-ZL0-801 | E1 | 45 | 2 | 16024-ZH7-A20 | F13 | 73 | 7 | 16500-ZH8-893 | H10 | 102 | 3 | 16851-ZE1-000 | G14 | 90 | 1 |
| 12310-ZE1-020 | D1 | 29 | 6 | 14100-ZL0-870 | E1 | 45 | 2 | 16028-ZE0-005 | F5 | 65 | 8 | 16500-ZH8-P40 | H14 | 106 | 1 | 16852-ZB6-000 | H3 | 95 | 1 |
| 12310-ZE1-842 | D1 | 29 | 6 | 14410-ZE1-010 | E1 | 45 | 4 | | F13 | 73 | 8 | 16500-ZH8-S43 | H10 | 102 | 1 | 16852-ZE1-000 | G14 | 90 | 2 |
| 12391-ZE1-000 | D1 | 29 | 7 | 14411-ZE1-611 | I5 | 113 | 3 | 16044-ZE0-005 | F5 | 65 | 10 | 16500-ZH8-U43 | H10 | 102 | 1 | 16854-ZH8-000 | G14 | 90 | 3 |
| | | | | 14411-ZF1-611 | I5 | 113 | 3 | | F13 | 73 | 9 | 16506-ZL0-000 | D4 | 32 | 3 | 16854-ZH8-810 | G14 | 90 | 4 |
| | | | | 14411-ZH7-V91 | E1 | 45 | 5 | 16044-ZL0-831 | F12 | 72 | 1 | 16531-ZE1-000 | D4 | 32 | 4 | H3 | 95 | 2 | |
| 13000 | | | | 14431-ZE1-000 | E1 | 45 | 6 | 16080-898-631 | H2 | 94 | 1 | 16541-ZE1-000 | D5 | 33 | 5 | 16857-ZB6-000 | H3 | 95 | 2 |
| 13010-Z4K-004 | D14 | 42 | 1 | 14451-ZE1-013 | E1 | 45 | 7 | 16081-471-831 | H2 | 94 | 2 | 16550-ZL0-V30 | H10 | 102 | 4 | 16910-GB2-005 | H3 | 95 | 3 |
| 13010-ZL0-003 | D12 | 40 | 1 | 14568-ZE1-000 | E1 | 45 | 8 | 16100-ZK0-U01 | F13 | 73 | 10 | 16551-ZL0-000 | H10 | 102 | 5 | I16 | 124 | 27 | |
| 13010-ZL0-004 | D12 | 40 | 1 | 14711-ZF1-000 | E1 | 45 | 9 | 16100-ZK0-V01 | F5 | 65 | 11 | H14 | 106 | 2 | 16915-GB2-000 | H3 | 95 | 4 | |
| 13011-Z4K-004 | D14 | 42 | 1 | 14721-ZE7-000 | E2 | 46 | 10 | 16100-ZK0-V51 | F13 | 73 | 10 | 16555-ZE1-000 | H10 | 102 | 6 | 16950-898-633 | H2 | 94 | 3 |
| 13011-ZL0-003 | D13 | 41 | 1 | 14721-ZF1-000 | E2 | 46 | 10 | 16100-ZL0-V61 | F6 | 66 | 11 | H14 | 106 | 3 | 16950-ZB4-015 | J2 | 126 | 2 | |
| 13011-ZL0-004 | D13 | 41 | 1 | 14721-ZH8-810 | E2 | 46 | 10 | 16100-ZL0-811 | F6 | 66 | 11 | 16555-ZL0-V30 | H10 | 102 | 6 | 16952-952-003 | G14 | 90 | 5 |
| 13012-Z4K-004 | D14 | 42 | 1 | 14721-ZK8-W80 | E2 | 46 | 10 | 16100-ZL0-821 | F6 | 66 | 11 | 16559-ZL0-V30 | H10 | 102 | 7 | 16952-GG2-731 | H2 | 94 | 4 |
| 13012-ZL0-003 | D13 | 41 | 1 | 14731-ZL0-000 | E2 | 46 | 11 | 16100-ZL0-831 | F12 | 72 | 2 | 16561-ZL0-000 | H11 | 103 | 8 | 16952-ZB4-005 | J2 | 126 | 3 |
| 13012-ZL0-004 | D13 | 41 | 1 | 14751-ZF1-000 | E2 | 46 | 12 | 16100-ZL0-S71 | F5 | 65 | 11 | H14 | 106 | 4 | 16952-ZB6-000 | H3 | 95 | 5 | |
| 13013-Z4K-004 | D15 | 43 | 1 | 14771-ZE1-000 | E2 | 46 | 13 | 16100-ZL0-U21 | F5 | 65 | 11 | I15 | 123 | 3 | 16953-ZE1-812 | F8 | 68 | 25 | |
| 13013-ZL0-003 | D13 | 41 | 1 | | | | | 16100-ZL0-V21 | F5 | 65 | 11 | 16561-ZL0-U30 | H11 | 103 | 8 | 16954-ZE1-812 | F9 | 69 | 26 |
| 13013-ZL0-004 | D14 | 42 | 1 | 14773-ZE1-000 | E2 | 46 | 14 | 16100-ZL0-V31 | F13 | 73 | 10 | 16561-ZL0-V30 | H11 | 103 | 8 | 16955-ZE1-000 | G14 | 90 | 6 |
| 13101-ZL0-010 | D15 | 43 | 2 | 14781-ZE1-000 | E2 | 46 | 15 | 16100-ZL0-V32 | F13 | 73 | 10 | 16561-ZL0-w50 | H11 | 103 | 8 | 16956-ZE1-811 | F9 | 69 | 27 |
| 13101-ZL0-020 | D15 | 43 | 2 | 14791-ZE1-010 | E2 | 46 | 16 | 16100-ZL0-W12 | F5 | 65 | 11 | 16562-ZE1-020 | H11 | 103 | 9 | 16957-ZE1-812 | F9 | 69 | 28 |
| 13101-ZL0-801 | D15 | 43 | 2 | | | | | 16100-ZL0-W51 | F6 | 66 | 11 | H15 | 107 | 5 | 16958-397-771 | J2 | 126 | 4 | |
| 13102-ZL0-010 | D15 | 43 | 2 | 15000 | | | | 16100-ZL0-W61 | F6 | 66 | 11 | 16562-ZL0-V30 | H11 | 103 | 9 | 16959-471-831 | J2 | 126 | 5 |
| 13102-ZL0-020 | D16 | 44 | 2 | 15510-ZE1-033 | D4 | 32 | 2 | 16100-ZL0-W81 | F6 | 66 | 11 | 16570-ZB2-000 | H11 | 103 | 10 | 16967-GA6-671 | J2 | 126 | 6 |
| 13102-ZL0-801 | D15 | 43 | 2 | 15510-ZE1-043 | D4 | 32 | 2 | 16124-ZE0-005 | F6 | 66 | 12 | 16570-ZL0-V90 | H11 | 103 | 10 | 16967-ZE0-811 | F9 | 69 | 29 |
| 13103-ZL0-010 | D15 | 43 | 2 | | | | | | F12 | 72 | 3 | 16571-ZH8-020 | H11 | 103 | 12 | | | | |



PART NO. INDEX

| Part Number | Address | Page | Ref. | Part Number | Address | Page | Ref. | Part Number | Address | Page | Ref. | Part Number | Address | Page | Ref. |
|-----------------|---------|------|------|-----------------|---------|------|------|-----------------|---------|------|------|-----------------|---------|------|------|
| 17000 | | | | 17510-ZE1-030ZF | G15 | 91 | 9 | G12 | | 88 | 2 | 22535-822-610 | I6 | 114 | 13 |
| | | | | 17510-ZE1-030ZN | G15 | 91 | 9 | G13 | | 89 | 5 | 22804-148-000 | I9 | 117 | 6 |
| 17210-ZE1-822 | F15 | 75 | 2 | 17520-ZA0-800 | H3 | 95 | 9 | I15 | | 123 | 8 | 28433-ZH8-801 | E13 | | 57 |
| | G4 | 80 | 2 | 17620-899-013 | H3 | 95 | 10 | J1 | | 125 | 9 | 28441-ZE1-003 | E9 | | 53 |
| 17211-ZB2-000 | G6 | 82 | 1 | | J2 | 126 | 8 | 18433-ZH8-W40 | G8 | 84 | 9 | 28441-ZH8-003 | E6 | | 50 |
| 17211-ZE1-000 | G2 | 78 | 1 | 17620-Z0T-305 | H1 | 93 | 24 | 18434-ZH8-W40 | G8 | 84 | 10 | J3 | | | 127 |
| 17212-ZB2-000 | G6 | 82 | 2 | | H2 | 94 | 7 | 18436-ZH8-W40 | G9 | 85 | 11 | 28441-ZH8-801 | E13 | | 57 |
| 17212-ZE1-000 | G2 | 78 | 2 | 17620-ZE2-W00 | G15 | 91 | 10 | 18466-ZH8-W40 | G9 | 85 | 12 | 28442-ZE1-003 | E9 | | 53 |
| 17218-ZE1-821 | F15 | 75 | 3 | 17620-ZH7-023 | G15 | 91 | 11 | | | | | 28442-ZH8-003 | E7 | | 51 |
| | G4 | 80 | 3 | 17624-187-020 | H3 | 95 | 11 | 19000 | | | | E13 | | | 57 |
| 17219-733-010 | G4 | 80 | 4 | 17631-329-003 | G15 | 91 | 13 | 19511-ZE1-000 | H4 | 96 | 2 | J3 | | | 127 |
| 17220-ZB2-000 | G6 | 82 | 3 | 17631-899-000 | H3 | 95 | 12 | 19610-ZL0-000ZA | E16 | 60 | 2 | 28443-ZE1-003 | E9 | | 53 |
| 17222-ZL0-V30 | G6 | 82 | 4 | | J2 | 126 | 9 | 19610-ZL0-000ZD | E16 | 60 | 2 | 28443-ZH8-003 | E7 | | 51 |
| 17230-ZE1-820 | F16 | 76 | 4 | 17631-Z0T-812 | H1 | 93 | 25 | 19610-ZL0-000ZE | E16 | 60 | 2 | J3 | | | 127 |
| 17230-ZE1-841 | G4 | 80 | 5 | | H2 | 94 | 8 | 19610-ZL0-000ZF | E16 | 60 | 2 | 28443-ZH8-801 | E13 | | 57 |
| 17231-ZB2-000 | G6 | 82 | 5 | 17631-ZH7-003 | G15 | 91 | 12 | 19610-ZL0-000ZG | E16 | 60 | 2 | 28445-ZE1-003 | E9 | | 53 |
| 17231-ZE1-000 | G2 | 78 | 3 | 17670-899-000 | J2 | 126 | 10 | 19610-ZL0-000ZH | E16 | 60 | 2 | 28446-ZE1-003 | E9 | | 53 |
| 17232-891-000 | F16 | 76 | 5 | 17670-ZB6-000 | H3 | 95 | 13 | 19610-ZL0-000ZJ | E16 | 60 | 2 | 28447-ZE1-003 | E9 | | 53 |
| | G4 | 80 | 6 | 17672-880-000 | G15 | 91 | 15 | 19610-ZL0-000ZK | E16 | 60 | 2 | 28448-ZE1-003 | E9 | | 53 |
| 17233-896-701 | G7 | 83 | 1 | 17672-887-791 | G15 | 91 | 15 | 19610-ZL0-820ZB | E16 | 60 | 2 | 28450-ZL0-801 | H5 | | 97 |
| 17235-ZE1-831 | F16 | 76 | 6 | 17672-ZE2-W01 | G15 | 91 | 14 | 19610-ZL0-820ZF | E16 | 60 | 2 | 28450-ZL0-810 | H4 | | 96 |
| 17238-ZE7-010 | G1 | 77 | 7 | | H2 | 94 | 9 | 19610-ZL0-830ZA | E16 | 60 | 3 | 28451-ZE1-003 | H4 | | 96 |
| | G2 | 78 | 4 | 17673-893-000 | G15 | 91 | 16 | 19610-ZL0-830ZD | E16 | 60 | 3 | 28451-ZH8-003 | H4 | | 96 |
| | G4 | 80 | 7 | | | | | 19611-ZH8-810 | F2 | 62 | 21 | 28451-ZH8-801 | H4 | | 96 |
| 17239-733-000 | G5 | 81 | 2 | 18000 | | | | 19611-ZH8-820 | F2 | 62 | 21 | 28451-ZL0-801 | H5 | | 97 |
| 17239-ZE1-000 | G1 | 77 | 8 | | | | | 19612-ZH8-000 | E16 | 60 | 4 | 28461-ZE1-003 | E9 | | 53 |
| | G2 | 78 | 5 | 18310-Z8K-870 | G7 | 83 | 2 | 19612-ZH8-821 | E16 | 60 | 4 | J3 | | | 127 |
| | G5 | 81 | 3 | 18310-ZB3-C00 | G11 | 87 | 1 | 19612-ZH8-840 | F1 | 61 | 5 | 28461-ZH8-003 | E7 | | 51 |
| | G6 | 82 | 6 | | J1 | 125 | 1 | 19613-ZE1-020 | F1 | 61 | 6 | E13 | | | 57 |
| 17252-ZB2-000 | G6 | 82 | 6 | 18310-ZB6-C01 | G13 | 89 | 1 | 19620-ZL0-V30 | F1 | 61 | 7 | 28462-ZE1-003 | E9 | | 53 |
| 17401-ZE1-810 | G5 | 81 | 4 | 18310-ZL0-000 | G7 | 83 | 2 | 19630-ZH8-000 | F1 | 61 | 8 | 28462-ZH8-003 | E7 | | 51 |
| 17402-ZE1-810 | G5 | 81 | 5 | 18310-ZL0-800 | G7 | 83 | 2 | 19640-ZL0-V30 | F3 | 63 | 24 | E14 | | | 58 |
| 17403-ZE1-810 | G5 | 81 | 6 | 18310-ZL0-800 | G7 | 83 | 2 | 21000 | | | | J3 | | | 127 |
| 17404-841-000 | G5 | 81 | 7 | 18310-ZL0-W80 | G12 | 88 | 1 | 21121-ZL0-W80 | I9 | 117 | 1 | 28410-ZB2-C02ZF | J3 | | 127 |
| 17410-ZE1-020 | G1 | 77 | 9 | 18315-ZE1-000 | G7 | 83 | 3 | 21510-883-621 | I6 | 114 | 1 | 28410-ZE1-003ZF | E9 | | 53 |
| | G2 | 78 | 6 | 18320-ZB2-000 | G11 | 87 | 2 | 21512-ZL0-W80 | I9 | 117 | 2 | 28410-ZH8-003YA | E5 | | 49 |
| | G5 | 81 | 8 | | J1 | 125 | 2 | 21521-883-741 | I8 | 116 | 1 | E11 | | | 55 |
| 17410-ZE1-840 | G4 | 80 | 9 | 18320-ZF1-H51 | G7 | 83 | 4 | 21591-ZH8-620 | I6 | 114 | 2 | 28410-ZH8-003ZB | E5 | | 49 |
| 17421-ZE1-000 | G2 | 78 | 7 | 18325-ZB2-000 | G11 | 87 | 3 | 21610-822-611 | I6 | 114 | 3 | 28410-ZH8-003ZC | E5 | | 49 |
| | G5 | 81 | 9 | 18325-ZH8-T90 | G11 | 87 | 3 | 21621-883-741 | I8 | 116 | 3 | E11 | | | 55 |
| 17470-ZE1-842 | G4 | 80 | 10 | | J1 | 125 | 3 | 21691-ZH8-800 | I6 | 114 | 4 | E15 | | | 59 |
| 17475-ZE1-841 | G4 | 80 | 11 | 18329-ZB2-000 | G11 | 87 | 4 | 21692-ZH8-800 | I8 | 116 | 4 | 28414-ZH8-841ZC | E8 | | 52 |
| 17476-ZE1-841 | G4 | 80 | 12 | | J1 | 125 | 4 | 22000 | | | | 28414-ZK8-V71 | E5 | | 49 |
| 17478-ZE1-841 | G4 | 80 | 13 | 18330-ZB2-000 | G11 | 87 | 5 | 22010-ZL0-W80 | I9 | 117 | 3 | 28420-ZE1-003 | E9 | | 53 |
| 17500-ZE1-813ZA | G14 | 90 | 7 | 18330-ZB2-000 | G11 | 87 | 5 | 22121-883-620 | I6 | 114 | 5 | 28420-ZH8-013 | E5 | | 49 |
| 17500-ZE1-813ZC | G14 | 90 | 7 | 18330-ZB6-000 | G13 | 89 | 2 | 22201-822-610 | I6 | 114 | 6 | J3 | | | 127 |
| 17500-ZE1-813ZF | G14 | 90 | 7 | 18330-ZT0-000 | J1 | 125 | 7 | 22311-822-610 | I6 | 114 | 7 | 28421-ZH8-801 | E11 | | 55 |
| 17505-898-023 | H3 | 95 | 6 | 18331-883-810 | G8 | 84 | 5 | 22350-822-610 | I6 | 114 | 8 | 28422-ZE1-003 | E9 | | 53 |
| 17505-ZB2-003 | H2 | 94 | 5 | | I15 | 123 | 6 | 22350-ZL0-W81 | I9 | 117 | 4 | 28422-ZH8-013 | E5 | | 49 |
| | J2 | 126 | 7 | 18338-ZB3-E30 | G11 | 87 | 6 | 22401-ZL0-W81 | I9 | 117 | 5 | J3 | | | 127 |
| 17505-ZE1-013 | G14 | 90 | 8 | | J1 | 125 | 8 | 22411-822-611 | I6 | 114 | 9 | 28423-ZE1-003 | E9 | | 53 |
| 17507-ZA0-800 | H3 | 95 | 7 | 18355-898-630 | G11 | 87 | 7 | 22421-822-610 | I6 | 114 | 10 | 28431-ZE1-003 | E9 | | 53 |
| 17510-ZB2-000ZB | H2 | 94 | 6 | | G13 | 89 | 4 | 22521-822-610 | I6 | 114 | 11 | 28431-ZH8-801 | E12 | | 56 |
| 17510-ZB6-010 | H3 | 95 | 8 | 18355-ZE1-810 | I15 | 123 | 7 | 22531-883-620 | I6 | 114 | 12 | E6 | | | 50 |
| 17510-ZE1-020ZA | G15 | 91 | 9 | 18355-ZL0-000 | G8 | 84 | 6 | | | | | 31100-ZE7-010 | H4 | | 96 |
| 17510-ZE1-020ZF | G15 | 91 | 9 | 18361-ZL0-000 | G8 | 84 | 7 | | | | | 31110-ZL0-811 | H4 | | 96 |
| 17510-ZE1-020ZM | G15 | 91 | 9 | 18381-ZE1-800 | G11 | 87 | 8 | | | | | 31110-ZL0-821 | H4 | | 96 |
| 17510-ZE1-020ZN | G15 | 91 | 9 | | G13 | 89 | 4 | | | | | 31110-ZL0-U52 | H4 | | 96 |
| 17510-ZE1-030ZA | G15 | 91 | 9 | 18381-ZH8-800 | G8 | 84 | 8 | | | | | 31200-ZL0-811 | H8 | | 100 |
| | | | | | G11 | 87 | 9 | | | | | 31204-ZE1-003 | H8 | | 100 |
| | | | | | | | | | | | | 31204-ZE1-013 | H8 | | 100 |
| | | | | | | | | | | | | 31206-KN7-670 | H8 | | 100 |
| | | | | | | | | | | | | 31210-ZE1-723 | H8 | | 100 |
| | | | | | | | | | | | | 31212-ZE1-003 | H8 | | 100 |
| | | | | | | | | | | | | 31214-ZE1-003 | H8 | | 100 |
| | | | | | | | | | | | | 31215-ZE1-003 | H8 | | 100 |

PART NO. INDEX

| Part Number | Address | Page | Ref. | Part Number | Address | Page | Ref. | Part Number | Address | Page | Ref. | Part Number | Address | Page | Ref. |
|-----------------|---------|------|------|---------------|---------|------|------|---------------|---------|------|------|---------------|---------|------|------|
| 31216-ZE1-731 | H8 | 100 | 8 | 35000 | | | | 87520-ZL8-810 | I16 | 124 | 32 | 89219-805-000 | I13 | 121 | 11 |
| 31217-ZE1-722 | H8 | 100 | 9 | | | | | 87521-ZK0-801 | I10 | 118 | 5 | | | | |
| 31220-ZE1-722 | H8 | 100 | 10 | 35100-752-023 | I15 | 123 | 15 | 87521-ZL0-020 | I11 | 119 | 5 | 90000 | | | |
| 31221-ZE1-003 | H8 | 100 | 11 | 35100-ZE1-812 | I3 | 111 | 10 | | | | | 90380-MA6-010 | I4 | 112 | 15 |
| 31222-ZE1-003 | H8 | 100 | 12 | 35100-ZH8-R90 | I3 | 111 | 10 | 87521-ZL0-030 | I11 | 119 | 5 | 90403-883-620 | I6 | 114 | 19 |
| 31223-ZE1-003 | H9 | 101 | 13 | 35110-VA3-903 | I15 | 123 | 16 | | | | | 90442-KG8-000 | I9 | 117 | 10 |
| 31224-ZE1-003 | H9 | 101 | 14 | 35111-880-013 | I3 | 111 | 11 | 87521-ZL0-W81 | I10 | 118 | 5 | 90451-ZE1-000 | D5 | 33 | 8 |
| 31230-ZE1-003 | H9 | 101 | 15 | 35120-Z0D-V81 | F1 | 61 | 12 | 87522-ZB3-K01 | I11 | 119 | 7 | 90456-ZE1-000 | I5 | 113 | 7 |
| 31235-ZE1-013 | H9 | 101 | 16 | | | | | 87522-ZE1-810 | I11 | 119 | 6 | 90470-ZE1-000 | I5 | 113 | 8 |
| 31510-ZE1-711 | H7 | 99 | 3 | 36000 | | | | 87522-ZH8-W41 | I11 | 119 | 7 | 90471-435-770 | I9 | 117 | 11 |
| 31510-ZE1-811 | H7 | 99 | 4 | | | | | 87522-ZH8-W41 | I11 | 119 | 7 | 90471-ZE1-610 | I5 | 113 | 9 |
| 31511-ZE1-000 | H7 | 99 | 5 | 36100-ZE1-015 | F1 | 61 | 12 | 87522-ZH9-010 | I10 | 118 | 1 | 90473-842-000 | D11 | 39 | 11 |
| 31512-ZE1-000 | H7 | 99 | 6 | 36100-ZF6-P81 | F3 | 63 | 25 | 87522-ZK7-800 | I10 | 118 | 1 | 90502-187-701 | H9 | 101 | 26 |
| 31600-KE1-010 | I15 | 123 | 9 | 36100-ZH7-003 | F3 | 63 | 25 | 87526-ZH8-000 | I11 | 119 | 8 | 90503-898-000 | J2 | 126 | 12 |
| 31600-ZE2-861 | I15 | 123 | 10 | 36100-ZH7-W41 | F3 | 63 | 25 | 87526-ZL8-810 | I16 | 124 | 33 | 90551-ZE1-000 | D16 | 44 | 6 |
| 31610-ZE1-835ZA | I3 | 111 | 1 | 36100-ZH8-W41 | F1 | 61 | 12 | 87528-733-E91 | I11 | 119 | 11 | 90601-ZE1-000 | D5 | 33 | 9 |
| 31610-ZE1-835ZG | I3 | 111 | 1 | 36101-ZB2-010 | F1 | 61 | 13 | 87528-777-000 | I11 | 119 | 11 | | I15 | 123 | 20 |
| 31610-ZH8-W52ZE | I3 | 111 | 1 | 36101-ZE1-010 | F1 | 61 | 13 | 87528-883-661 | I11 | 119 | 12 | 90601-ZH7-013 | F2 | 62 | 17 |
| 31610-ZK8-W42ZF | I3 | 111 | 1 | 36135-PH3-004 | F12 | 72 | 9 | 87528-ZB2-000 | I11 | 119 | 9 | 90601-ZH7-D02 | F2 | 62 | 17 |
| 31612-ZE2-003 | I3 | 111 | 2 | 36330-ZL0-V31 | I2 | 110 | 7 | 87528-ZB2-630 | I11 | 119 | 9 | 90602-ZE1-000 | D5 | 33 | 10 |
| 31614-ZE2-003 | I3 | 111 | 3 | | | | | | | | | 90602-ZL0-W80 | I9 | 117 | 12 |
| 31615-ZE1-003ZA | I3 | 111 | 4 | 38000 | | | | | I16 | 124 | 24 | 90603-ZE1-003 | H9 | 101 | 27 |
| 31615-ZE1-003ZG | I3 | 111 | 4 | | | | | 87528-ZE1-810 | I11 | 119 | 11 | 90605-166-720 | I9 | 117 | 13 |
| 31630-ZE1-003 | H7 | 99 | 7 | 38240-VA3-900 | I3 | 111 | 12 | 87528-ZH8-S00 | I11 | 119 | 11 | 90015-883-000 | H7 | 99 | 10 |
| 31630-ZE1-013 | H7 | 99 | 7 | 38250-ZA8-701 | I3 | 111 | 13 | 87529-ZE2-812 | I3 | 111 | 14 | | I5 | 113 | 6 |
| 31630-ZF1-801 | H7 | 99 | 8 | | | | | 87529-ZE2-861 | I4 | 112 | 14 | 90015-ZE5-010 | H12 | 104 | 23 |
| 31630-ZH8-W01 | H7 | 99 | 9 | 50000 | | | | 87529-ZH9-W41 | I4 | 112 | 14 | | H16 | 108 | 16 |
| 31630-ZL0-V31 | H7 | 99 | 4 | | | | | 87532-ZB4-H50 | I11 | 119 | 13 | 90016-ZE1-000 | G9 | 85 | 13 |
| 31700-124-008 | I3 | 111 | 5 | 50319-ZB2-000 | H2 | 94 | 10 | 87532-ZH8-000 | I11 | 119 | 13 | 90016-ZG9-N30 | H12 | 104 | 24 |
| | I15 | 123 | 11 | | | | | 87532-ZH8-810 | I11 | 119 | 13 | | H16 | 108 | 17 |
| 31700-KAE-871 | I2 | 110 | 4 | 50339-ZR4-T60 | D9 | 37 | 5 | | | | | 90017-883-000 | H9 | 101 | 22 |
| 31750-ZL0-V31 | I2 | 110 | 5 | | | | | | I16 | 124 | 25 | 90019-883-000 | H7 | 99 | 11 |
| | | | | 68000 | | | | 87532-ZH8-W40 | I11 | 119 | 14 | 90022-888-010 | F2 | 62 | 16 |
| 32000 | | | | | | | | 87532-ZK7-800 | I11 | 119 | 13 | 90043-ZB2-003 | D2 | 30 | 10 |
| | | | | 68326-ZB2-000 | D5 | 33 | 6 | 87533-ZA7-000 | I11 | 119 | 16 | 90043-ZE1-020 | D2 | 30 | 10 |
| 32105-ZH8-V10 | F1 | 61 | 9 | | | | | 87533-ZC0-630 | I11 | 119 | 17 | 90047-ZE1-000 | D2 | 30 | 11 |
| 32110-ZB5-G30 | I15 | 123 | 12 | 68327-ZB2-000 | I16 | 124 | 35 | | I16 | 124 | 26 | 90050-ZE1-000 | G9 | 85 | 14 |
| 32110-ZL0-V30 | I2 | 110 | 6 | 68328-ZB2-000 | D5 | 33 | 6 | 87534-ZE1-841 | I11 | 119 | 18 | | I15 | 123 | 19 |
| 32127-738-700 | I3 | 111 | 6 | | | | | 87535-ZE1-841 | I11 | 119 | 19 | 90050-ZH8-W40 | G9 | 85 | 16 |
| 32197-ZE1-003 | I3 | 111 | 7 | 81000 | | | | 87535-ZH8-V00 | I11 | 119 | 20 | 90055-ZE1-000 | G9 | 85 | 17 |
| 32197-ZH8-003 | F1 | 61 | 10 | | | | | 87539-898-620 | I11 | 119 | 21 | | I15 | 123 | 19 |
| 32410-ZE1-000 | H9 | 101 | 17 | 81329-567-020 | F1 | 61 | 14 | | I16 | 124 | 37 | 90056-ZL0-000 | G9 | 85 | 18 |
| 32410-ZE1-010 | H9 | 101 | 17 | | | | | 87565-ZB4-A00 | I11 | 119 | 22 | 90071-MB0-000 | H9 | 101 | 23 |
| 32411-253-000 | H9 | 101 | 19 | 83000 | | | | 87565-ZE2-000 | I12 | 120 | 23 | 90101-GBL-000 | I9 | 117 | 8 |
| | I15 | 123 | 13 | | | | | 87565-ZE2-810 | I12 | 120 | 23 | 90114-SA0-000 | H13 | 105 | 25 |
| 32411-ZE1-000 | H9 | 101 | 18 | 83501-ZF1-000 | I13 | 121 | 1 | | | | | | H16 | 108 | 18 |
| 32901-MA1-000 | E7 | 51 | 13 | | | | | 89000 | | | | 90115-459-770 | G6 | 82 | 7 |
| | E15 | 59 | 17 | 87000 | | | | | | | | 90115-GB4-700 | H9 | 101 | 24 |
| | I15 | 123 | 14 | | | | | 89000-ZB6-000 | I13 | 121 | 2 | 90121-735-700 | H13 | 105 | 26 |
| 32902-892-003 | I3 | 111 | 8 | 87101-733-000 | I10 | 118 | 1 | 89000-ZE1-000 | I13 | 121 | 3 | 90121-952-000 | F2 | 62 | 16 |
| | | | | 87106-ZH8-S00 | I11 | 119 | 6 | 89000-ZH7-T00 | I13 | 121 | 4 | | H7 | 99 | 12 |
| 34000 | | | | 87114-ZH7-000 | I12 | 120 | 26 | 89001-ZF1-000 | I13 | 121 | 5 | 90131-883-000 | I8 | 116 | 7 |
| | | | | 87124-ZV3-010 | I10 | 118 | 2 | 89102-538-000 | I13 | 121 | 6 | 90131-ZE1-000 | D5 | 33 | 7 |
| 34150-ZH7-003 | F1 | 61 | 11 | 87135-ZE2-020 | I10 | 118 | 3 | 89103-538-000 | I13 | 121 | 7 | 90201-878-003 | H4 | 96 | 7 |
| | F2 | 62 | 22 | | | | | 89210-ZF1-000 | I13 | 121 | 8 | 90202-881-000 | I9 | 117 | 9 |
| | I3 | 111 | 9 | 87152-ZL0-010 | I10 | 118 | 4 | 89216-357-000 | I15 | 123 | 17 | 90206-ZE1-000 | E2 | 46 | 18 |
| 34150-ZH7-013 | F1 | 61 | 11 | 87152-ZL0-821 | I10 | 118 | 4 | 89216-ZB4-000 | I13 | 121 | 9 | 90300-GB0-900 | G4 | 80 | 14 |
| | | | | 87516-ZM7-801 | I12 | 120 | 27 | 89216-ZF1-000 | I13 | 121 | 10 | 90302-KF9-900 | G9 | 85 | 19 |
| | | | | 87520-ZH8-000 | I10 | 118 | 1 | 89216-ZH8-S00 | I13 | 121 | 10 | 90325-044-000 | G1 | 77 | 10 |
| | | | | | | | | 89218-ZE1-000 | I13 | 121 | 9 | | G2 | 78 | 8 |
| | | | | | | | | | | | | | | | |
| | | | | | | | | | | | | 91001-GF6-004 | D7 | 35 | 9 |
| | | | | | | | | | | | | 91001-ZF1-003 | D5 | 33 | 11 |
| | | | | | | | | | | | | 91001-ZF1-004 | D5 | 33 | 11 |
| | | | | | | | | | | | | 91008-ZL0-W81 | I9 | 117 | 15 |
| | | | | | | | | | | | | 91201-ZOT-801 | D5 | 33 | 12 |
| | | | | | | | | | | | | | D7 | 35 | 10 |
| | | | | | | | | | | | | | D9 | 37 | 6 |
| | | | | | | | | | | | | | I5 | 113 | 11 |
| | | | | | | | | | | | | | I8 | 116 | 8 |
| | | | | | | | | | | | | 91202-805-610 | I6 | 114 | 22 |
| | | | | | | | | | | | | 91202-Z2F-801 | I6 | 114 | 22 |
| | | | | | | | | | | | | 91301-805-000 | I6 | 114 | 23 |
| | | | | | | | | | | | | 91301-ZE1-003 | H9 | 101 | 29 |
| | | | | | | | | | | | | 91353-671-004 | D5 | 33 | 13 |
| | | | | | | | | | | | | | G15 | 91 | 18 |
| | | | | | | | | | | | | 91356-706-000 | H3 | 95 | 15 |



PART NO. INDEX

K 4

| Part Number | Address | Page | Ref. | Part Number | Address | Page | Ref. | Part Number | Address | Page | Ref. | Part Number | Address | Page | Ref. |
|----------------|---------|------|------|----------------|---------|------|------|----------------|---------|------|------|----------------|---------|------|------|
| 91402-ZE6-003 | H9 | 101 | 30 | | G16 | 92 | 20 | | J3 | 127 | 13 | 99101-ZH8-0750 | F11 | 71 | 35 |
| 91403-ZE6-003 | H9 | 101 | 31 | | H13 | 105 | 31 | 95701-06020-00 | G1 | 77 | 12 | | F14 | 74 | 19 |
| 91406-166-000 | E8 | 52 | 16 | | I1 | 109 | 21 | | G3 | 79 | 10 | 99101-ZH8-0780 | F14 | 74 | 19 |
| | | | 19 | | I2 | 110 | 10 | | G4 | 80 | 17 | 99104-ZL0-0350 | F12 | 72 | 11 |
| | E15 | 59 | 18 | | J1 | 125 | 11 | | G5 | 81 | 12 | 99204-ZA0-0450 | F11 | 71 | 36 |
| 91406-671-000 | E8 | 52 | 16 | 94050-06080 | G6 | 82 | 8 | 95701-06025-00 | I2 | 110 | 13 | 99204-ZE2-0400 | F14 | 74 | 20 |
| | E15 | 59 | 18 | 94050-10000 | D5 | 33 | 14 | 95701-06055-00 | I7 | 115 | 29 | | | | |
| 91406-ZE2-003 | I4 | 112 | 19 | 94101-04800 | I4 | 112 | 23 | 95701-08022-00 | I7 | 115 | 30 | | | | |
| | I16 | 124 | 28 | 94101-06800 | D5 | 33 | 15 | | I9 | 117 | 16 | | | | |
| 91551-898-000 | J2 | 126 | 14 | 94103-05700 | G9 | 85 | 22 | 95701-08032-00 | D8 | 36 | 12 | | | | |
| 91552-898-000 | H2 | 94 | 13 | 94109-12000 | I7 | 115 | 26 | | D9 | 37 | 9 | | | | |
| | | | | | I8 | 116 | 9 | 95701-08032-08 | I8 | 116 | 10 | | | | |
| 92000 | | | | 94111-04800 | I4 | 112 | 24 | 95701-08035-00 | I8 | 116 | 11 | | | | |
| | | | | | I16 | 124 | 30 | | I9 | 117 | 17 | | | | |
| 92101-08020-0A | G11 | 87 | 10 | 94111-08800 | I7 | 115 | 27 | 95701-08060-00 | D3 | 31 | 14 | | | | |
| | G13 | 89 | 6 | 94251-08000 | D5 | 33 | 16 | 95723-08060-00 | D3 | 31 | 14 | | | | |
| | J1 | 125 | 6 | 94301-08100 | H9 | 101 | 34 | | | | | | | | |
| 92101-08025-0A | D11 | 39 | 10 | | I7 | 115 | 28 | 96000 | | | | | | | |
| | I5 | 113 | 12 | 94301-08140 | D7 | 35 | 11 | | | | | | | | |
| 92101-08035-0A | I6 | 114 | 24 | | D9 | 37 | 7 | 96100-62040-00 | I8 | 116 | 12 | | | | |
| 92800-12000 | I6 | 114 | 25 | | I5 | 113 | 13 | 96100-62050-00 | D8 | 36 | 13 | | | | |
| | | | | 94301-10160 | D2 | 30 | 12 | | D9 | 37 | 10 | | | | |
| 93000 | | | | 94305-20062 | I2 | 110 | 11 | | I5 | 113 | 14 | | | | |
| | | | | 94305-20122 | F9 | 69 | 34 | | I7 | 115 | 31 | | | | |
| 93500-03006-1H | F9 | 69 | 31 | | F12 | 72 | 10 | 96100-62060-00 | I7 | 115 | 32 | | | | |
| 93500-03012-0H | I4 | 112 | 20 | | F13 | 73 | 18 | 96100-63050-00 | I8 | 116 | 13 | | | | |
| 93500-04006-0H | H13 | 105 | 28 | | | | | | | | | | | | |
| 93500-04008-0A | F9 | 69 | 32 | 95000 | | | | 98000 | | | | | | | |
| 93500-04012-0H | I4 | 112 | 21 | | | | | | | | | | | | |
| 93500-05008-0A | F9 | 69 | 33 | 95001-45035-40 | H3 | 95 | 1 | 98079-55846 | D3 | 31 | 15 | | | | |
| | I2 | 110 | 9 | 95001-45110-40 | H3 | 95 | 16 | 98079-55855 | D3 | 31 | 15 | | | | |
| 93500-05016-0A | H13 | 105 | 29 | 95001-45140-40 | G16 | 92 | 21 | 98079-56841 | D3 | 31 | 15 | | | | |
| | I1 | 109 | 19 | | H2 | 94 | 15 | | I13 | 121 | 12 | | | | |
| 93500-05025-0A | H13 | 105 | 30 | 95001-45180-40 | H2 | 94 | 15 | | I16 | 124 | 38 | | | | |
| 93500-05025-0H | H13 | 105 | 30 | 95001-45250-40 | H2 | 94 | 15 | 98079-56846 | D3 | 31 | 15 | | | | |
| | I1 | 109 | 20 | 95001-45300-40 | G16 | 92 | 21 | | I16 | 124 | 38 | | | | |
| 93500-05035-0A | F2 | 62 | 19 | | H3 | 95 | 16 | 98079-56854 | D3 | 31 | 15 | | | | |
| | H13 | 105 | 26 | 95001-45380-40 | H3 | 95 | 16 | | I13 | 121 | 12 | | | | |
| 93600-05010-0A | G15 | 91 | 19 | 95001-45430-40 | G16 | 92 | 21 | 98079-56855 | D3 | 31 | 15 | | | | |
| | H2 | 94 | 14 | 95002-02080 | H1 | 93 | 22 | 98200-30500 | I4 | 112 | 26 | | | | |
| 93891-06020-07 | G9 | 85 | 20 | | H2 | 94 | 16 | 98200-31500 | I4 | 112 | 26 | | | | |
| 93892-05014-08 | H9 | 101 | 32 | | H3 | 95 | 17 | | | | | | | | |
| 93892-05020-08 | H9 | 101 | 33 | | | | | 99000 | | | | | | | |
| | | | | 95002-02100 | H1 | 93 | 23 | | | | | | | | |
| 94000 | | | | | H3 | 95 | 18 | 99001-10120 | I13 | 121 | 13 | | | | |
| | | | | 95002-40800-08 | I16 | 124 | 31 | 99001-10140 | I13 | 121 | 14 | | | | |
| 94001-04390-0S | I4 | 112 | 22 | 95002-41200-08 | I16 | 124 | 22 | 99001-14170 | I13 | 121 | 15 | | | | |
| | I16 | 124 | 29 | 95002-80000 | D2 | 30 | 13 | 99003-30000 | I14 | 122 | 16 | | | | |
| 94001-08000-0S | G9 | 85 | 21 | 95701-06008-00 | F2 | 62 | 20 | 99003-50000 | I13 | 121 | 7 | | | | |
| | G11 | 87 | 11 | | F3 | 63 | 23 | 99004-21001 | I13 | 121 | 9 | | | | |
| | G12 | 88 | 3 | 95701-06010-00 | G6 | 82 | 9 | 99004-21003 | I13 | 121 | 9 | | | | |
| | G13 | 89 | 7 | | I4 | 112 | 25 | 99005-01000 | I13 | 121 | 11 | | | | |
| | I15 | 123 | 21 | 95701-06012-00 | D5 | 33 | 17 | | I16 | 124 | 23 | | | | |
| | J1 | 125 | 10 | | D9 | 37 | 8 | 99008-02000 | I14 | 122 | 17 | | | | |
| 94050-06000 | G1 | 77 | 11 | | G10 | 86 | 23 | 99008-02300 | I14 | 122 | 17 | | | | |
| | G2 | 78 | 9 | | G11 | 87 | 13 | 99101-ZH8-0680 | F10 | 70 | 35 | | | | |
| | G4 | 80 | 16 | 95701-06016-00 | I2 | 110 | 12 | 99101-ZH8-0700 | F10 | 70 | 35 | | | | |
| | G5 | 81 | 11 | 95701-06018-00 | E8 | 52 | 15 | 99101-ZH8-0720 | F10 | 70 | 35 | | | | |
| | G11 | 87 | 12 | | E15 | 59 | 14 | | F13 | 73 | 19 | | | | |

PART NAME INDEX

| Part name | Address | Page | Ref. | Part name | Address | Page | Ref. | Part name | Address | Page | Ref. |
|----------------------------------|---------|------|------|-----------------------------------|---------|------|------|-----------------------------------|---------|------|------|
| [A] | | | | BOLT, FLANGE, 6X18 | E8 | 52 | 15 | CAP COMP., FUEL FILLER | G15 | 91 | 10 |
| ALERT UNIT, OIL | F1 | 61 | 11 | | E15 | 59 | 14 | | H1 | 93 | 11 |
| | F2 | 62 | 22 | BOLT, FLANGE, 6X20 | J3 | 127 | 13 | | H2 | 94 | 24 |
| | I3 | 111 | 9 | | F2 | 62 | 16 | | H3 | 95 | 7 |
| ARM COMP., GOVERNOR | H10 | 102 | 4 | | G1 | 77 | 12 | | J2 | 126 | 10 |
| ARM, GOVERNOR | H10 | 102 | 5 | | G3 | 79 | 10 | CAP, CLEANER | G2 | 78 | 8 |
| | H14 | 106 | 2 | | G4 | 80 | 17 | | G5 | 81 | 7 |
| ARM, VALVE ROCKER | E1 | 45 | 6 | BOLT, FLANGE, 6X25 | G5 | 81 | 12 | | G5 | 81 | 9 |
| ARRESTER, SPARK | G8 | 84 | 6 | | F2 | 62 | 16 | CAP, FUEL METER | H3 | 95 | 7 |
| | G11 | 87 | 7 | | H7 | 99 | 12 | CAP, MUFFLER | G8 | 84 | 5 |
| | G13 | 89 | 3 | | I2 | 110 | 13 | | I15 | 123 | 6 |
| | I15 | 123 | 7 | BOLT, FLANGE, 6X28 | H7 | 99 | 10 | CAP, OIL FILLER | D7 | 35 | 7 |
| [B] | | | | | I5 | 113 | 6 | CAP, PRE AIR CLEANER | G4 | 80 | 11 |
| BAG SET, TOOL | I13 | 121 | 5 | BOLT, FLANGE, 6X32 | H9 | 101 | 22 | CARBURETOR ASSY. | F5 | 65 | 11 |
| BAG, TOOL, 200MM | I14 | 122 | 17 | | G15 | 91 | 17 | | F6 | 66 | 11 |
| BAG, TOOL, 230MM | I14 | 122 | 17 | BOLT, FLANGE, 6X34 | G15 | 91 | 17 | | F12 | 72 | 2 |
| BAND | I3 | 111 | 8 | BOLT, FLANGE, 6X55 | I7 | 115 | 29 | | F13 | 73 | 10 |
| BARREL ASSY., CYLINDER | D4 | 32 | 1 | BOLT, FLANGE, 6X8 | F2 | 62 | 20 | CASE B, STARTER | E5 | 49 | 4 |
| BAR A, HANDLE | I13 | 121 | 11 | | F3 | 63 | 23 | | E8 | 52 | 18 |
| | I16 | 124 | 23 | BOLT, FLANGE, 8X22 | I7 | 115 | 30 | CASE COMP., AIR CLEANER | G6 | 82 | 3 |
| BASE COMP., CONTROL | H11 | 103 | 17 | | I9 | 117 | 16 | CASE COMP., RECOIL STARTER | E5 | 49 | 3 |
| | H15 | 107 | 11 | BOLT, FLANGE, 8X32 | D8 | 36 | 12 | | E9 | 53 | 2 |
| BASE COMP., MUFFLER COVER | G9 | 85 | 11 | | D9 | 37 | 9 | | E11 | 55 | 3 |
| BEARING, RADIAL BALL | D5 | 33 | 11 | | I8 | 116 | 10 | | E15 | 59 | 16 |
| BEARING, RADIAL BALL, 6005 | I9 | 117 | 15 | BOLT, FLANGE, 8X35 | I8 | 116 | 11 | | J3 | 127 | 3 |
| BEARING, RADIAL BALL, 6204 | I8 | 116 | 12 | | I9 | 117 | 16 | CASE, CLUTCH | I9 | 117 | 2 |
| BEARING, RADIAL BALL, 6205 | D8 | 36 | 13 | BOLT, HEX., 5/16" | D11 | 39 | 10 | CASE, CONTROL | I3 | 111 | 2 |
| | D9 | 37 | 10 | | G11 | 87 | 10 | CASE, PRE AIR CLEANER | G4 | 80 | 10 |
| | I5 | 113 | 14 | BOLT, HEX., 8X20 | G13 | 89 | 6 | CASE, RECOIL STARTER SPRING | E9 | 53 | 10 |
| | I7 | 115 | 31 | | J1 | 125 | 6 | CASE, REDUCTION | I6 | 114 | 1 |
| BEARING, RADIAL BALL, 6206 | I7 | 115 | 32 | BOLT, HEX., 8X25 | D11 | 39 | 10 | | I8 | 116 | 1 |
| BEARING, RADIAL BALL, 6304 | D7 | 35 | 9 | | I5 | 113 | 12 | CENTER, CLUTCH | I6 | 114 | 5 |
| BEARING, RADIAL BALL, 6305 | I8 | 116 | 13 | BOLT, HEX., 8X35 | I6 | 114 | 24 | CENTER, CLUTCH WEIGHT | I6 | 114 | 13 |
| BODY, CLEANER | G5 | 81 | 4 | | G4 | 80 | 14 | CHAIN, DRIVE | I6 | 114 | 15 |
| BOLT, BREATHING | I8 | 116 | 6 | BOLT, MUDGUARD | G4 | 80 | 14 | CHAIN, P.T.O. DRIVE | E1 | 45 | 5 |
| BOLT, CONNECTING ROD | D16 | 44 | 5 | BOLT, PIVOT, 8MM | E2 | 46 | 17 | | I5 | 113 | 3 |
| BOLT, DRAIN PLUG | D5 | 33 | 7 | BOLT, SETTING | H9 | 101 | 21 | CHAMBER SET, FLOAT | F5 | 65 | 4 |
| BOLT, DRAIN PLUG, 12MM | I6 | 114 | 25 | BOLT, STUD, 6X112 | D2 | 30 | 10 | | F13 | 73 | 4 |
| BOLT, DRAIN PLUG, 12X15 | I8 | 116 | 7 | BOLT, STUD, 6X94 | D2 | 30 | 10 | CHOKE SET | F5 | 65 | 10 |
| BOLT, FLANGE, 5X10 | H7 | 99 | 11 | BOLT, STUD, 8X32 | D2 | 30 | 11 | | F12 | 72 | 1 |
| BOLT, FLANGE, 6X10 | E7 | 51 | 15 | BOLT, WINKER SETTING | G6 | 82 | 7 | CIRCLIP, 10.2MM | H9 | 101 | 27 |
| | E9 | 53 | 16 | BOX ASSY., CONTROL | I3 | 111 | 1 | CIRCLIP, 5MM | F9 | 69 | 30 |
| | E14 | 58 | 14 | BOX, TOOL | I13 | 121 | 1 | | H13 | 105 | 27 |
| | G6 | 82 | 9 | BRACKET COMP., FR. | H9 | 101 | 16 | CIRCLIP, 7MM | I9 | 117 | 13 |
| | I4 | 112 | 25 | BRACKET, CASE MOUNTING | I3 | 111 | 3 | CIRCLIP, INTERNAL, 47 | I9 | 117 | 12 |
| BOLT, FLANGE, 6X12 | D2 | 30 | 9 | BUSH, FUEL PURGE | H3 | 95 | 5 | CLAMPER, CORD | H7 | 99 | 5 |
| | D5 | 33 | 17 | [C] | | | | CLAMP, CORD | F1 | 61 | 6 |
| | D9 | 37 | 8 | CABLE, DOUBLE CONNECTOR | F1 | 61 | 9 | CLAMP, TUBE | I16 | 124 | 22 |
| | F1 | 61 | 15 | CAMSHAFT ASSY. | E1 | 45 | 2 | | I4 | 112 | 17 |
| | G10 | 86 | 23 | | | | | CLIP, CORD | I4 | 112 | 17 |
| | G11 | 87 | 13 | CAP ASSY., NOISE SUPPRESSOR | H7 | 99 | 2 | CLIP, GOVERNOR HOLDER | D5 | 33 | 10 |
| | H12 | 104 | 22 | CAP ASSY., OIL FILLER | D7 | 35 | 5 | CLIP, HARNESS | F2 | 62 | 17 |
| | H16 | 108 | 15 | | | | | CLIP, PISTON PIN, 18MM | D16 | 44 | 6 |
| | I15 | 123 | 18 | | | | | CLIP, PURSE LOCK | F2 | 62 | 18 |
| BOLT, FLANGE, 6X13 | G9 | 85 | 13 | | | | | | I4 | 112 | 16 |
| BOLT, FLANGE, 6X16 | I2 | 110 | 12 | | | | | CLIP, SUB CORD | E7 | 51 | 13 |
| | | | | | D9 | 37 | 3 | | E15 | 59 | 17 |
| | | | | | I7 | 115 | 33 | | | | |



PART NAME INDEX

L 2

| Part name | Address | Page | Ref. | Part name | Address | Page | Ref. | Part name | Address | Page | Ref. |
|--------------------------------|---------|------|------|----------------------------------|---------|------|------|------------------------------|---------|------|------|
| CLIP, SUB CORD | I15 | 123 | 14 | COVER, CLUTCH | I9 | 117 | 1 | FILTER, OUTER | F15 | 75 | 3 |
| CLIP, TUBE | D2 | 30 | 13 | COVER, MAGNETIC SWITCH | H9 | 101 | 18 | | G4 | 80 | 3 |
| | H1 | 93 | 22 | COVER, REDUCTION | I6 | 114 | 3 | FLOAT SET | F4 | 64 | 3 |
| | | | 23 | | I8 | 116 | 3 | | F13 | 73 | 3 |
| | H2 | 94 | 16 | COVER, SPRING | H9 | 101 | 14 | FLYWHEEL COMP. | H4 | 96 | 5 |
| | H3 | 95 | 17 | COVER, STARTER MOTOR TERMINAL .. | H9 | 101 | 19 | | | | 6 |
| CLIP, VALVE GUIDE | D1 | 29 | 4 | | I15 | 123 | 13 | FUSE, BLADE | I4 | 112 | 26 |
| CLIP, WIRE | E8 | 52 | 16 | CRANKSHAFT COMP. | D10 | 38 | 1 | | | | |
| | | | 19 | | | | 2 | [G] | | | |
| | E15 | 59 | 18 | | | | 3 | GASKET KIT | J4 | 128 | 1 |
| CLIP, WIRE HARNESS | E8 | 52 | 16 | | | | 4 | GASKET SET | F4 | 64 | 1 |
| | E15 | 59 | 18 | | | | 5 | | F13 | 73 | 1 |
| CLIP, WIRE HARNESS, 25MM | I2 | 110 | 8 | | | | 6 | GASKET, CYLINDER HEAD | D1 | 29 | 5 |
| COCK ASSY., FUEL | H2 | 94 | 3 | | D11 | 39 | 7 | GASKET, MUFFLER | G8 | 84 | 8 |
| | J2 | 126 | 2 | | | | 8 | | G11 | 87 | 8 |
| COIL ASSY., CHARGE | H7 | 99 | 4 | | | | 9 | | | | 9 |
| | | | 7 | CUP, FUEL STRAINER | F9 | 69 | 29 | | G12 | 88 | 2 |
| | | | 8 | | H2 | 94 | 2 | | G13 | 89 | 4 |
| | | | 9 | | J2 | 126 | 6 | | | | 5 |
| COIL ASSY., IGNITION | H6 | 98 | 1 | | | | | | I15 | 123 | 8 |
| COIL ASSY., LAMP | H7 | 99 | 3 | [D] | | | | | J1 | 125 | 5 |
| | | | 4 | | | | | | | | 9 |
| COLLAR B, AIR CLEANER | G1 | 77 | 8 | DISK, CLUTCH FRICTION | I6 | 114 | 6 | GAUGE ASSY., FUEL | G14 | 90 | 8 |
| | G2 | 78 | 5 | DOWEL PIN, 10X16 | D2 | 30 | 12 | GAUGE ASSY., THICKNESS | I13 | 121 | 8 |
| | G4 | 80 | 8 | DOWEL PIN, 8X10 | H9 | 101 | 34 | GEAR ASSY. | H9 | 101 | 15 |
| | G5 | 81 | 3 | | I7 | 115 | 28 | GOVERNOR ASSY. | D4 | 32 | 3 |
| COLLAR, AIR CLEANER | G1 | 77 | 7 | DOWEL PIN, 8X14 | D7 | 35 | 11 | GRID, AIR CLEANER | G2 | 78 | 2 |
| | G2 | 78 | 4 | | D9 | 37 | 7 | | G5 | 81 | 7 |
| | G4 | 80 | 7 | | I5 | 113 | 13 | GRIP | I13 | 121 | 7 |
| | G5 | 81 | 2 | DRIVER 3, MINUS SCREW | I14 | 122 | 16 | GRIP, SCREW DRIVER | I13 | 121 | 7 |
| COLLAR, AIR CLEANER CASE | G7 | 83 | 1 | DRIVER, SCREW | I13 | 121 | 6 | GRIP, STARTER | E7 | 51 | 11 |
| COLLAR, CONTROL BOX | H2 | 94 | 13 | | | | | | E13 | 57 | 11 |
| COLLAR, STOPPER | H12 | 104 | 21 | [E] | | | | GROMMET, AIR CLEANER | F16 | 76 | 5 |
| | H16 | 108 | 14 | | | | | | G4 | 80 | 6 |
| COLLAR, TANK CUSHION | J2 | 126 | 14 | ELBOW COMP., AIR CLEANER | G1 | 77 | 9 | GROMMET, CORD | H7 | 99 | 6 |
| CONDENSER UNIT | I2 | 110 | 4 | | G2 | 78 | 6 | GROMMET, DRAIN HOLE | F1 | 61 | 14 |
| CONTROL ASSY. | H10 | 102 | 1 | | G4 | 80 | 9 | GUIDE, EX. VALVE | D1 | 29 | 2 |
| | | | 2 | | G5 | 81 | 8 | GUIDE, IN. VALVE | D1 | 29 | 1 |
| | | | 3 | ELEMENT, AIR CLEANER | F15 | 75 | 2 | GUIDE, PRE AIR CLEANER | G4 | 80 | 12 |
| | H11 | 103 | 10 | | G2 | 78 | 1 | GUIDE, RATCHET | E6 | 50 | 7 |
| | H14 | 106 | 1 | | G4 | 80 | 2 | | E9 | 53 | 9 |
| CORD, MAGNET SWITCH | H9 | 101 | 17 | | G5 | 81 | 6 | | E13 | 57 | 7 |
| CORD, STOP SWITCH | F1 | 61 | 13 | | G6 | 82 | 1 | | J3 | 127 | 6 |
| COVER ASSY., CHAIN CASE | I5 | 113 | 1 | EMBLEM | I10 | 118 | 5 | [H] | | | |
| COVER ASSY., CRANKCASE | D6 | 34 | 1 | | I11 | 119 | 5 | HANDLE, BOX WRENCH | I13 | 121 | 11 |
| | | | 2 | | I16 | 124 | 36 | HARNES ASSY., SUB WIRE | I15 | 123 | 12 |
| | | | 3 | | | | 39 | HEAD COMP., CYLINDER | D1 | 29 | 3 |
| COVER COMP., FAN | D9 | 37 | 1 | END, LOCK | I15 | 123 | 4 | HOLDER, CABLE | F8 | 68 | 24 |
| | E16 | 60 | 2 | | | | | | H11 | 103 | 15 |
| | | | 3 | [F] | | | | | H15 | 107 | 9 |
| COVER COMP., GEAR | H8 | 100 | 5 | FAN, COOLING | H4 | 96 | 2 | HOLDER, CLUTCH SPRING | I6 | 114 | 10 |
| COVER COMP., HEAD | D1 | 29 | 6 | FILTER COMP., FUEL | H3 | 95 | 13 | HOLDER, CLUTCH WEIGHT | I6 | 114 | 12 |
| COVER COMP., MUFFLER | G8 | 84 | 9 | | J2 | 126 | 10 | HOLDER, CONTROL CABLE | F7 | 67 | 19 |
| COVER COMP., MUFFLER RR. | G8 | 84 | 10 | FILTER, CUP | J2 | 126 | 5 | HOLDER, FUEL FILTER | G15 | 91 | 16 |
| COVER, AIR CLEANER | F16 | 76 | 4 | FILTER, FUEL | G15 | 91 | 14 | HOLDER, HARNESS | H9 | 101 | 28 |
| | G2 | 78 | 3 | | | | 15 | HOLDER, WIRE | H12 | 104 | 20 |
| | G4 | 80 | 5 | | | | 9 | | | | |
| | G6 | 82 | 5 | | | | | | | | |

PART NAME INDEX

L 3

| Part name | Address | Page | Ref. | Part name | Address | Page | Ref. | Part name | Address | Page | Ref. |
|-----------------------------|---------|------|------|-------------------------------------|---------|------|------|----------------------------------|---------|------|------|
| [I] | | | | | | | | | | | |
| INSULATOR, CARBURETOR | F7 | 67 | 15 | MARK, AIR CLEANER | I11 | 119 | 17 | NUT, HEX., 4MM | I16 | 124 | 29 |
| | F12 | 72 | 4 | | I16 | 124 | 26 | NUT, HEX., 5MM | G9 | 85 | 19 |
| | F13 | 73 | 13 | MARK, AIR CLEANER SALES POINT | I11 | 119 | 19 | NUT, HEX., 8MM | G9 | 85 | 21 |
| | | | | MARK, CARBURETOR DRAIN | I11 | 119 | 20 | | G11 | 87 | 11 |
| | | | | MARK, CAUTION | I11 | 119 | 6 | | G12 | 88 | 3 |
| | | | | | | | 7 | | G13 | 89 | 7 |
| | | | | MARK, CHOKE | I11 | 119 | 9 | | I15 | 123 | 21 |
| | | | | | | | 10 | | J1 | 125 | 10 |
| | | | | | | | 11 | NUT, LOCK, 24MM | I9 | 117 | 9 |
| JET SET, PILOT, | F11 | 71 | 36 | | | | 12 | NUT, PIVOT ADJUSTING | E2 | 46 | 18 |
| | F14 | 74 | 20 | | I16 | 124 | 24 | NUT, SELF-LOCK, 6MM | H13 | 105 | 25 |
| JET, MAIN, | F10 | 70 | 35 | MARK, CONTROL BOX | I3 | 111 | 14 | | H16 | 108 | 18 |
| | F11 | 71 | 35 | | I4 | 112 | 14 | NUT, SPECIAL, 14MM | H4 | 96 | 7 |
| | F13 | 73 | 19 | MARK, EMERGENCY SWITCH | | | | NUT, TOOL BOX SETTING | G1 | 77 | 10 |
| | F14 | 74 | 19 | | | | | | G2 | 78 | 8 |
| JET, PILOT, | F12 | 72 | 11 | INDICATION | I10 | 118 | 2 | | G4 | 80 | 15 |
| JOINT, DRAIN | I15 | 123 | 1 | MARK, EX. CAUTION | I11 | 119 | 21 | | G5 | 81 | 10 |
| JOINT, FUEL TANK | G14 | 90 | 6 | | I16 | 124 | 37 | [O] | | | |
| | | | | MARK, FIRE DANGER | I11 | 119 | 7 | OIL SEAL | I6 | 114 | 22 |
| | | | | MARK, FUEL CAUTION | I11 | 119 | 6 | OIL SEAL, 25X41X6 | D5 | 33 | 12 |
| | | | | MARK, FUEL INDICATION | I12 | 120 | 23 | | D7 | 35 | 10 |
| | | | | MARK, OIL ALERT | I11 | 119 | 13 | | D9 | 37 | 6 |
| | | | | | | | 15 | | I5 | 113 | 11 |
| | | | | | | | 16 | | I8 | 116 | 8 |
| | | | | MARK, OPERATOR CAUTION | I12 | 120 | 27 | OIL SEAL, 30X50X7 | I6 | 114 | 22 |
| | | | | MARK, THROTTLE INDICATION | I11 | 119 | 14 | O-RING | H2 | 94 | 1 |
| | | | | MARK, TOP | I10 | 118 | 1 | | H8 | 100 | 3 |
| | | | | METER ASSY., FUEL | H2 | 94 | 5 | | H9 | 101 | 29 |
| | | | | | J2 | 126 | 7 | O-RING, 14MM | J2 | 126 | 4 |
| | | | | METER COMP., FUEL | H3 | 95 | 6 | | D5 | 33 | 13 |
| | | | | MOTOR ASSY., STARTER | H8 | 100 | 1 | | G15 | 91 | 18 |
| | | | | MOTOR ONLY | H8 | 100 | 10 | O-RING, 26X2.7 | I6 | 114 | 23 |
| | | | | MOTOR UNIT, STARTER | H8 | 100 | 4 | O-RING, 56X2.4 | H3 | 95 | 15 |
| | | | | MUFFLER COMP. | G7 | 83 | 2 | [P] | | | |
| | | | | | G11 | 87 | 1 | PACKING C, FUEL METER | H3 | 95 | 11 |
| | | | | | G13 | 89 | 1 | PACKING, AIR CLEANER | F13 | 73 | 16 |
| | | | | | J1 | 125 | 1 | PACKING, AIR CLEANER COVER | G4 | 80 | 4 |
| | | | | [N] | | | | PACKING, CARBURETOR | F7 | 67 | 18 |
| | | | | NETTING, WIRE FLANGE | G8 | 84 | 7 | | F12 | 72 | 7 |
| | | | | NOSE, SILENCER | F16 | 76 | 6 | | F13 | 73 | 15 |
| | | | | NOZZLE, MAIN | F6 | 66 | 13 | PACKING, CASE COVER | D6 | 34 | 4 |
| | | | | | F7 | 67 | 13 | | D9 | 37 | 2 |
| | | | | | F13 | 73 | 12 | PACKING, CHAIN CASE COVER | I5 | 113 | 2 |
| | | | | NUT | E9 | 53 | 13 | PACKING, ELBOW | F15 | 75 | 1 |
| | | | | NUT-WASHER, 6MM | H9 | 101 | 23 | | G4 | 80 | 1 |
| | | | | NUT, FLANGE, 10MM | D5 | 33 | 14 | | G5 | 81 | 1 |
| | | | | NUT, FLANGE, 6MM | G1 | 77 | 11 | PACKING, FUEL COCK | F9 | 69 | 28 |
| | | | | | G2 | 78 | 9 | PACKING, FUEL FILLER CAP | G15 | 91 | 12 |
| | | | | | G4 | 80 | 16 | | H1 | 93 | 25 |
| | | | | | G5 | 81 | 11 | | H2 | 94 | 8 |
| | | | | | G6 | 82 | 8 | | H3 | 95 | 12 |
| | | | | | G11 | 87 | 12 | | J2 | 126 | 9 |
| | | | | | G16 | 92 | 20 | PACKING, FUEL STRAINER CUP | F7 | 67 | 14 |
| | | | | | H13 | 105 | 31 | | J2 | 126 | 1 |
| | | | | | I1 | 109 | 21 | | | | |
| | | | | | I2 | 110 | 10 | | | | |
| | | | | | J1 | 125 | 11 | | | | |
| | | | | | I4 | 112 | 22 | | | | |
| | | | | NUT, HEX., 4MM | I4 | 112 | 22 | | | | |

4

PART NAME INDEX

L 4

| Part name | Address | Page | Ref. | Part name | Address | Page | Ref. | Part name | Address | Page | Ref. |
|------------------------------------|---------|------|------|----------------------------------|---------|------|------|------------------------------------|---------|------|------|
| PACKING, HEAD COVER | D1 | 29 | 7 | [R] | | | | SCREW SET, DRAIN..... | F13 | 73 | 7 |
| PACKING, INSULATOR | F7 | 67 | 16 | RATCHET, STARTER | E5 | 49 | 6 | SCREW SET, PILOT..... | F5 | 65 | 5 |
| | F12 | 72 | 5 | | E9 | 53 | 4 | | F13 | 73 | 5 |
| | F13 | 73 | 14 | | E12 | 56 | 5 | | | | 6 |
| PACKING, OIL FILLER CAP | D7 | 35 | 8 | | J3 | 127 | 5 | SCREW, FLAT, 5X10..... | G15 | 91 | 19 |
| | D9 | 37 | 4 | RECTIFIER ASSY., REGULATOR | I2 | 110 | 5 | | H2 | 94 | 14 |
| PACKING, REDUCTION CASE | I6 | 114 | 2 | | I15 | 123 | 10 | SCREW, LOCK PAN..... | H13 | 105 | 26 |
| | I8 | 116 | 2 | RECTIFIER ASSY., SILICON | I3 | 111 | 5 | SCREW, PAN, 3X12..... | I4 | 112 | 20 |
| PACKING, REDUCTION COVER | I6 | 114 | 4 | | I15 | 123 | 11 | SCREW, PAN, 3X6..... | F9 | 69 | 31 |
| | I8 | 116 | 4 | RECTIFIER COMP., REGULATOR | I15 | 123 | 9 | SCREW, PAN, 4X12..... | I4 | 112 | 21 |
| PANEL COMP., CONTROL | I3 | 111 | 4 | REEL, RECOIL STARTER | E5 | 49 | 5 | SCREW, PAN, 4X6..... | H13 | 105 | 28 |
| PAN, CLEANER OIL | G5 | 81 | 5 | | E11 | 55 | 4 | SCREW, PAN, 4X8..... | F9 | 69 | 32 |
| PIECE A, STOPPER | H8 | 100 | 11 | RETAINER, EX. VALVE SPRING | E2 | 46 | 14 | SCREW, PAN, 5X16..... | H13 | 105 | 29 |
| PIECE B, STOPPER | H8 | 100 | 12 | RETAINER, IN. VALVE SPRING | E2 | 46 | 13 | | I1 | 109 | 19 |
| PINION ASSY. | H8 | 100 | 6 | | | | 14 | SCREW, PAN, 5X25..... | H13 | 105 | 30 |
| PIN, LOCK, 8MM | D5 | 33 | 16 | RING SET, PISTON | D12 | 40 | 1 | | I1 | 109 | 20 |
| PIN, PISTON | D16 | 44 | 3 | | D13 | 41 | 1 | SCREW, PAN, 5X35..... | F2 | 62 | 19 |
| PIN, SPRING, 2X12 | F9 | 69 | 34 | | D14 | 42 | 1 | | H13 | 105 | 26 |
| | F12 | 72 | 10 | | D15 | 43 | 1 | SCREW, PAN, 5X8..... | F9 | 69 | 33 |
| | F13 | 73 | 18 | ROD ASSY., CONNECTING | D16 | 44 | 4 | | I2 | 110 | 9 |
| PIN, SPRING, 2X6 | I2 | 110 | 11 | ROD, GOVERNOR | H10 | 102 | 6 | SCREW, RECESSED, 5X25..... | H12 | 104 | 24 |
| PIN, STARTER RATCHET | E9 | 53 | 5 | | H14 | 106 | 3 | | H16 | 108 | 17 |
| PIPE COMP., EX. | G11 | 87 | 5 | ROD, PUSH | H14 | 106 | 3 | SCREW, SETTING..... | E7 | 51 | 14 |
| | G13 | 89 | 2 | | E1 | 45 | 4 | | E14 | 58 | 13 |
| | J1 | 125 | 7 | ROPE, RECOIL STARTER | E7 | 51 | 12 | | J3 | 127 | 12 |
| PIPE, EX. | G12 | 88 | 1 | | E9 | 53 | 15 | SCREW, SPECIAL, 6X12..... | I4 | 112 | 15 |
| PISTON | D15 | 43 | 2 | | E14 | 58 | 12 | SCREW, TAPPING, 4X6..... | G9 | 85 | 17 |
| | D16 | 44 | 2 | ROTATOR, VALVE | J3 | 127 | 11 | | I15 | 123 | 19 |
| PIVOT, ROCKER ARM | E1 | 45 | 7 | | E2 | 46 | 15 | SCREW, TAPPING, 5X25..... | G9 | 85 | 16 |
| PLATE COMP., CLUTCH PRESSURE | I6 | 114 | 8 | ROTOR ASSY. | H8 | 100 | 9 | SCREW, TAPPING, 5X8..... | G9 | 85 | 14 |
| PLATE COMP., DRIVE | I9 | 117 | 4 | RUBBER, BOTTOM | D5 | 33 | 6 | | | | 15 |
| PLATE COMP., SIDE | F2 | 62 | 21 | RUBBER, CLUTCH DAMPER | I9 | 117 | 6 | SCREW, THROTTLE STOP..... | F6 | 66 | 12 |
| PLATE, CLUTCH | I6 | 114 | 7 | RUBBER, CONTROL BOX | H2 | 94 | 11 | | F12 | 72 | 3 |
| PLATE, FRICTION | E9 | 53 | 6 | RUBBER, FR. BOTTOM | D5 | 33 | 6 | | F13 | 73 | 11 |
| | E12 | 56 | 6 | | I16 | 124 | 34 | SEAL, AIR CLEANER..... | G6 | 82 | 6 |
| PLATE, FUEL INDICATION | I11 | 119 | 22 | RUBBER, FUEL | H2 | 94 | 12 | SEAL, FUEL FILLER NECK..... | H3 | 95 | 9 |
| PLATE, GUARD | D9 | 37 | 5 | | H3 | 95 | 14 | SEAL, MUFFLER PROTECTOR..... | G11 | 87 | 4 |
| PLATE, LEVER SETTING | F9 | 69 | 26 | RUBBER, RR. BOTTOM | I16 | 124 | 35 | | J1 | 125 | 4 |
| PLATE, PRE AIR CLEANER | G4 | 80 | 13 | RUBBER, SUPPORTER | G14 | 90 | 3 | SEAL, VALVE STEM..... | E1 | 45 | 1 |
| PLATE, PUSH ROD GUIDE | E2 | 46 | 16 | | | | 4 | SEPARATOR, AIR CLEANER | G6 | 82 | 2 |
| PLATE, SIDE | E16 | 60 | 4 | RUBBER, TANK CUSHION | J2 | 126 | 13 | SHAFT COMP., P.T.O..... | I6 | 114 | 16 |
| | F1 | 61 | 5 | RUBBER, TANK MOUNTING | H2 | 94 | 10 | | I9 | 117 | 7 |
| PLUG, SPARK | D3 | 31 | 15 | | J2 | 126 | 11 | SHAFT UNIT, GEAR..... | H8 | 100 | 7 |
| | I13 | 121 | 12 | [S] | | | | SHAFT, GOVERNOR ARM..... | D5 | 33 | 5 |
| | I16 | 124 | 38 | SCREEN SET | H2 | 94 | 4 | SHAFT, P.T.O..... | I5 | 113 | 5 |
| PROTECTOR, CIRCUIT | I3 | 111 | 12 | SCREEN, FUEL STRAINER | J2 | 126 | 3 | | I8 | 116 | 5 |
| PROTECTOR, MUFFLER | G7 | 83 | 4 | SCREW-WASHER, 5X14 | H9 | 101 | 32 | SHAFT, SUB..... | E9 | 53 | 12 |
| PROTECTOR, MUFFLER INNER | G11 | 87 | 3 | SCREW-WASHER, 5X20 | H9 | 101 | 33 | SHROUD ASSY., UPPER | F1 | 61 | 7 |
| | J1 | 125 | 3 | SCREW-WASHER, 5X30 | H9 | 101 | 24 | SHROUD COMP..... | F1 | 61 | 8 |
| PROTECTOR, MUFFLER OUTER | G11 | 87 | 2 | SCREW-WASHER, 5X8 | H9 | 101 | 20 | SHROUD COMP., LOWER..... | F3 | 63 | 24 |
| | J1 | 125 | 2 | SCREW-WASHER, 6X20 | G9 | 85 | 20 | SLIDER, GOVERNOR..... | D4 | 32 | 4 |
| PULLEY COMP., STARTER | H4 | 96 | 3 | SCREW SET | F5 | 65 | 9 | SOLENOID ASSY., AUTO THROTTLE..... | I2 | 110 | 7 |
| | H5 | 97 | 9 | | F13 | 73 | 8 | SPACER COMP., CARBURETOR..... | F7 | 67 | 17 |
| PULLEY, RECOIL STARTER | E9 | 53 | 3 | | F13 | 73 | 8 | | F12 | 72 | 6 |
| PULLEY, STARTER | H4 | 96 | 4 | SCREW SET, DRAIN | F5 | 65 | 7 | SPACER, 20MM..... | I5 | 113 | 8 |
| | | | 8 | | | | 8 | SPACER, CONTROL LEVER..... | H11 | 103 | 16 |
| | H5 | 97 | 8 | | | | 8 | | H15 | 107 | 10 |

4

PART NAME INDEX

L 5

| Part name | Address | Page | Ref. | Part name | Address | Page | Ref. | Part name | Address | Page | Ref. |
|-----------------------------------|---------|------|------|-------------------------------------|---------|------|------|----------------------------------|---------|------|------|
| SPACER, MUFFLER COVER | G9 | 85 | 12 | SUB HARNESS | F1 | 61 | 10 | WASHER, DRAIN PLUG, 10.2MM | I15 | 123 | 20 |
| SPACER, RECOIL STARTER | | | | | I3 | 111 | 7 | WASHER, DRAIN PLUG, 12MM | I7 | 115 | 26 |
| MOUNTING | E4 | 48 | 2 | SUB HARNESS ASSY. | I2 | 110 | 6 | | I8 | 116 | 9 |
| | E5 | 49 | 2 | SUSPENSION, COUPLER | I3 | 111 | 6 | WASHER, PINION | H9 | 101 | 26 |
| | E11 | 55 | 2 | SUSPENSION, STRAINER | H3 | 95 | 4 | WASHER, PLAIN, 4MM | I4 | 112 | 23 |
| | J3 | 127 | 2 | SWITCH ASSY., COMBINATION | I3 | 111 | 10 | WASHER, PLAIN, 5MM | G9 | 85 | 22 |
| SPANNER, 10X12 | I13 | 121 | 13 | | I15 | 123 | 15 | WASHER, PLAIN, 6MM | D5 | 33 | 15 |
| SPANNER, 10X14 | I13 | 121 | 14 | SWITCH ASSY., ENGINE STOP | F1 | 61 | 12 | WASHER, SPECIAL | H9 | 101 | 30 |
| SPANNER, 14X17 | I13 | 121 | 15 | | F3 | 63 | 25 | WASHER, SPRING | H9 | 101 | 31 |
| SPRING, CABLE RETURN | H12 | 104 | 19 | SWITCH ASSY., OIL LEVEL | D4 | 32 | 2 | WASHER, SPRING, 4MM | I4 | 112 | 24 |
| | H16 | 108 | 13 | SWITCH COMP., STARTING MAGNET | H8 | 100 | 2 | | I16 | 124 | 30 |
| SPRING, CHOKE RETURN | I2 | 110 | 1 | | | | | WASHER, SPRING, 8MM | I7 | 115 | 27 |
| SPRING, CLUTCH | I9 | 117 | 5 | [T] | | | | WASHER, STARTER | E9 | 53 | 11 |
| SPRING, CLUTCH FREE | I6 | 114 | 9 | TANK ASSY., FUEL | G14 | 90 | 7 | WASHER, TANK CUSHION | J2 | 126 | 12 |
| SPRING, COCK LEVER | F9 | 69 | 27 | TANK COMP., FUEL | G15 | 91 | 9 | WASHER, THRUST, 20MM | I6 | 114 | 19 |
| SPRING, CONTROL ADJUSTING | E16 | 60 | 1 | | H2 | 94 | 6 | WASHER, THRUST, 6MM | D5 | 33 | 8 |
| | H12 | 104 | 18 | TERMINAL ASSY., HIGH TENSION | H3 | 95 | 8 | WEIGHT SET, CLUTCH | I9 | 117 | 3 |
| | H15 | 107 | 12 | THROTTLE ASSY., AUTO | H7 | 99 | 2 | WEIGHT, CLUTCH | I6 | 114 | 11 |
| SPRING, FRICTION | E6 | 50 | 8 | | I2 | 110 | 2 | WIRE, LOCK | I15 | 123 | 5 |
| | E9 | 53 | 7 | TOOL KIT | | | | WRENCH COMP., SPARK PLUG | I13 | 121 | 9 |
| | E13 | 57 | 8 | | I13 | 121 | 2 | WRENCH, BOX | I13 | 121 | 9 |
| | J3 | 127 | 7 | | | | | | | | |
| SPRING, GOVERNOR | H11 | 103 | 8 | | | | | | I15 | 123 | 17 |
| | H14 | 106 | 4 | TUBE A, FUEL | G14 | 90 | 1 | WRENCH, PLUG | I13 | 121 | 9 |
| | H15 | 107 | 3 | TUBE B, FUEL | G14 | 90 | 2 | | | | |
| SPRING, GOVERNOR ARM RETURN | H10 | 102 | 7 | TUBE, BREATHER | D2 | 30 | 8 | [Y] | | | |
| SPRING, LEVER | H11 | 103 | 13 | TUBE, DRAIN | I15 | 123 | 2 | YOKE ASSY. | H8 | 100 | 8 |
| | H15 | 107 | 7 | TUBE, FASTENER, 30MM | I4 | 112 | 19 | | | | |
| SPRING, RECOIL STARTER | E7 | 51 | 9 | | I16 | 124 | 28 | | | | |
| | E9 | 53 | 8 | TUBE, FUEL TANK | H3 | 95 | 1 | | | | |
| | E13 | 57 | 9 | TUBE, FUEL, 4.5X110 | H3 | 95 | 16 | | | | |
| | J3 | 127 | 8 | TUBE, FUEL, 4.5X140 | G16 | 92 | 21 | | | | |
| SPRING, RETURN | E7 | 51 | 10 | | H2 | 94 | 15 | | | | |
| | E13 | 57 | 10 | TUBE, FUEL, 4.5X180 | H2 | 94 | 15 | | | | |
| | F8 | 68 | 23 | TUBE, FUEL, 4.5X250 | H2 | 94 | 15 | | | | |
| | H9 | 101 | 13 | TUBE, FUEL, 4.5X300 | G16 | 92 | 21 | | | | |
| | J3 | 127 | 9 | | H3 | 95 | 16 | | | | |
| SPRING, THROTTLE RETURN | H11 | 103 | 9 | TUBE, FUEL, 4.5X35 | H3 | 95 | 1 | | | | |
| | H15 | 107 | 5 | TUBE, FUEL, 4.5X380 | H3 | 95 | 16 | | | | |
| SPRING, THRUST | I5 | 113 | 7 | TUBE, FUEL, 4.5X430 | G16 | 92 | 21 | | | | |
| SPRING, VALVE | E2 | 46 | 12 | [V] | | | | | | | |
| SPRING, WEIGHT RETURN | E1 | 45 | 8 | VALVE SET, FLOAT | F4 | 64 | 2 | | | | |
| SPROCKET COMP., DRIVE | I6 | 114 | 14 | | F13 | 73 | 2 | | | | |
| SPROCKET, DRIVE | I5 | 113 | 4 | VALVE, DASHPOT CHECK | F12 | 72 | 9 | | | | |
| STARTER ASSY., RECOIL | E4 | 48 | 1 | VALVE, EX. | E2 | 46 | 10 | | | | |
| | E8 | 52 | 17 | VALVE, IN. | E1 | 45 | 9 | | | | |
| | E9 | 53 | 1 | [W] | | | | | | | |
| | E10 | 54 | 1 | WASHER, 8MM | D11 | 39 | 11 | | | | |
| | E15 | 59 | 15 | | I5 | 113 | 9 | | | | |
| | J3 | 127 | 1 | WASHER, 9X16X1.4 | I9 | 117 | 11 | | | | |
| STAY, AIR CLEANER | G6 | 82 | 4 | WASHER, CONTROL LEVER | H11 | 103 | 14 | | | | |
| STAY, CHOKE CONTROL | F7 | 67 | 20 | | H15 | 107 | 8 | | | | |
| STAY, MUFFLER | G7 | 83 | 3 | WASHER, DRAIN PLUG, 10.2MM | D5 | 33 | 9 | | | | |
| | G11 | 87 | 6 | | | | | | | | |
| | J1 | 125 | 8 | | | | | | | | |
| STRAINER COMP., FUEL | H3 | 95 | 3 | | | | | | | | |
| | I16 | 124 | 27 | | | | | | | | |
| STRAINER, FUEL | G14 | 90 | 5 | | | | | | | | |
| STRAP, WIRE HARNESS, 25MM | I4 | 112 | 18 | | | | | | | | |

1

FOREWORD INDEX

2

ENGINE GROUP

3

PART NUMBER INDEX

4

PART NAME INDEX

HONDA
The Power of Dreams



PARTS CATALOGUE NEWS

Honda Motor Co., Ltd. Service Division

PARTS CATALOGUE - CORRECTED

Printed in Japan

| | |
|----------------------|---|
| CODE NO. | 13ZK0402 |
| PARTS CATALOGUE NEWS | GX200 [GCAE-190/900] [GCAEB-100] GX200 [PROPANE ENGINE] [GDAB-101] |
| NEWS NO. | 001 |

| Block No. | Ref. No. | Note | Part No. | Description | Reqd. QTY | | | | Serial No. | Parts catalogue code |
|-----------|----------|------|---------------|----------------------------|-----------|-----|-----|-----|------------|---|
| | | | | | (1) | (2) | (3) | (4) | | |
| E-2 | 3 | L | 12210-ZL0-405 | HEAD COMP., CYLINDER | GX200 | | | | ----- | QXE8 |
| | | | | | 1 | - | - | - | | |
| | | | | | 1 | - | - | - | 2060339 | BL, HX, HXU, HX2, HX26, LAC, LH, LHB2, LHP1, LHQ4, LJ, LJC1, LJG, LVL, LX2, LX4, NDJ, NJ, NJC1, NJG, NMB, NTB, NTU, NW, NX, PX, PXU, QAB2, QD, QG2, QH, QHP1, QHQ4, QH26, QH4, QJF, QJF1, QM, QTP, QTP2, QVL, QX, QXB2, QXC9, QXE2, QXE4, QXE6, QXF1, QXH4, QXS2, QXU, QX2, QX26, QX4, QX7, RH, RHA2, RHQ4, RH2, RH26, RJE, RMG2, RX, RXU, RX2, RX4, SD, SDB2, SH, SHQ4, SJ, SJG, SMC4, SMG1, SMG2, SM11, SM12, SM14, SM21, SM22, SM24, SWG4, SX, SXE4, SXU, SX4, SX7, TX, TXU, TXU1, TX2, VEE1, VEN, VEN1, VEN2, VEN4, VES, VES1, VGG2, VMG1, VMT, VPM4, VSD, VSD1, VSD2, VSD7, VSW, VS17, VX, VXU, VXU1, VX2, VX4 |
| | | | | | - | 1 | 1 | 1 | | |
| | | T | 12210-ZL0-415 | | 1 | - | - | - | ----- | LSK, VSW1, VXK |
| | | | | | 1 | - | - | - | 2060340 | BL, HX, HXU, HX2, HX26, LAC, LH, LHB2, LHP1, LHQ4, LJ, LJC1, LJG, LVL, LX2, LX4, NDJ, NJ, NJC1, NJG, NMB, NTB, NTU, NW, NX, PX, PXU, QAB2, QD, QG2, QH, QHP1, QHQ4, QH26, QH4, QJF, QJF1, QM, QTP, QTP2, QVL, QX, QXB2, QXC9, QXE2, QXE4, QXE6, QXF1, QXH4, QXS2, QXU, QX2, QX26, QX4, QX7, RH, RHA2, RHQ4, RH2, RH26, RJE, RMG2, RX, RXU, RX2, RX4, SD, SDB2, SH, SHQ4, SJ, SJG, SMC4, SMG1, SMG2, SM11, SM12, SM14, SM21, SM22, SM24, SWG4, SX, SXE4, SXU, SX4, SX7, TX, TXU, TXU1, TX2, VEE1, VEN, VEN1, VEN2, VEN4, VES, VES1, VGG2, VMG1, VMT, VPM4, VSD, VSD1, VSD2, VSD7, VSW, VS17, VX, VXU, VXU1, VX2, VX4 |

NOTE A:PART NO. CHANGE D:NEWLY PROVIDED E:PART NO. DELETION K:REQUIRED NO. CORRECTION L:APPLICATION SERIAL NO. CORRECTION
T:APPLICATION CORRECTION Z:REMARKS CHANGE

PARTS CATALOGUE NEWS

BOOKNo. : 13ZK0402

| Block No. | Ref. No. | Note | Part No. | Description | Reqd. QTY | | | | Serial No. | Parts catalogue code |
|-----------|----------|------|---------------|----------------------------------|-----------|-----|-----|-----|---------------|---|
| | | | | | (1) | (2) | (3) | (4) | | |
| E-28 | 3 | L | 87135-ZE2-020 | LABEL, E-SPEC (15. 5X27. 5) | 1 | - | - | - | ----- 1976969 | LHQ4, LX4, QHQ4, QH4, QXE4, QX4, QX7, RHQ4, RX4, SHQ4, SMC4, SM14, SM24, SWG4, SXE4, SX4, SX7, VEN4, VSD, VSD1, VSD7, VS17, VX4 |
| | | | | | 1 | - | - | - | ----- 2092186 | BL, HX, HXU, LAC, LH, LHB2, LHP1, LJ, LJC1, LJG, LVL, NDJ, NJ, NJC1, NJG, NMB, NTB, NTU, NW, NX, PX, PXU, QAB2, QD, QH, QHP1, QJF, QJF1, QTP, QVL, QX, QXE8, QXF1, QXU, RH, RX, RXU, SD, SDB2, SH, SJ, SJG, SMG1, SMG2, SM11, SM21, SX, SXU, TX, TXU, TXU1, VEE1, VEN, VEN1, VES, VES1, VMG1, VMT, VSW, VX, VXU, VXU1 |
| | | | | | - | 1 | - | - | ----- 1010192 | |
| | | | | | - | - | - | 1 | | |

NOTE A:PART NO. CHANGE D:NEWLY PROVIDED E:PART NO. DELETION K:REQUIRED NO. CORRECTION L:APPLICATION SERIAL NO. CORRECTION
T:APPLICATION CORRECTION Z:REMARKS CHANGE



PARTS CATALOGUE NEWS

Honda Motor Co., Ltd. Service Division

Printed in Japan

| | |
|----------------------|---|
| CODE NO. | 13ZK0402 |
| PARTS CATALOGUE NEWS | GX200 [GCAE-190/900] [GCAEB-100] GX200 [PROPANE ENGINE] [GDAB-101] |
| NEWS NO. | 002 |

GX200-NW2, RH3 AND VSW2 TYPES sales parts information

NOTE: This Parts Catalogue News explains only the parts of the different model that are produced to conform to addition of the GX200-NW2, RH3 and VSW2 types.

As for the parts not listed on this Parts Catalogue News, use the parts of the GX200-NW, RH and VSW1 types.

• Models, parts catalogue codes and applicable serial numbers

| Model | Type | Parts catalogue type | Applicable engine serial No. | Applicable carburetor identification No. |
|-------|------|----------------------|------------------------------|--|
| GX200 | NW2 | NW2 | GCAE-1900001~ | BE64C B |
| | RH3 | RH3 | | BE64B B / C |
| | VSW2 | VSW2 | | BE74L A |

| • Features of each type | | Base type | Additional type | Base type | Additional type | Base type | Additional type |
|-------------------------|----------------|-----------|-----------------|-----------|-----------------|-----------|-----------------|
| Specifications | Model | GX200 | | | | | |
| | Type | NW | NW2 | RH | RH3 | VSW1 | VSW2 |
| Crankshaft | 20mmØSpline | | | | | | |
| | 21mmØSpline | | | | | | |
| | 19mmØStraight | | | | | | |
| | 20mmØStraight | | | ● | ● | | |
| | 3/4"Thread | | | | | | |
| | 5/8"Thread | | | | | | |
| | 3/16"ØTapered | | | | | ● | ● |
| | 1/5"ØTapered | | | | | | |
| | Without P.T.O. | ● | ● | | | | |
| Camshaft | Without P.T.O. | | | ● | ● | ● | ● |
| | With P.T.O. | ● | ● | | | | |
| Starter motor | | | | | | | |
| Charge coil | | | | | | | |
| Lamp coil | | | | | | | |
| Air cleaner | Dual | | | ● | ● | | |
| | Semi dri | | | | | | |
| | Cyclone | | | | | | |
| | Oil bath | ● | ● | | | | |
| | Standard | | | | | ● | ● |

NOTE A:PART NO. CHANGE D:NEWLY PROVIDED E:PART NO. DELETION K:REQUIRED NO. CORRECTION L:APPLICATION SERIAL NO. CORRECTION
T:APPLICATION CORRECTION Z:REMARKS CHANGE

PARTS CATALOGUE NEWS

BOOKNo. : 13ZK0402

| Block No. | Ref. No. | Part No. | Description | Reqd. QTY | | | | Base Part No. | Parts catalogue code |
|-----------|----------|---------------|--|-----------|--------------|-----|-----|---------------------------|----------------------|
| | | | | (1) | GX200 (2) | (3) | (4) | | |
| E-11-2 | 2 | | SPACER, RECOIL STARTER MOUNTING *NH1*..... BLACK | 0 | - | - | - | 28405-ZL0-000ZA NW2 | |
| E-20 | 1 | 30500-ZE1-073 | COIL ASSY., IGNITION | 1 | - | - | - | 30500-ZE1-063 | |
| E-22 | 26 | | SCREW, PAN, 5X35 | 0 | - | - | - | 93500-05035-0A VSW2 | |
| E-28 | 1 | | LABEL, CAUTION (ENGLISH, ETC.) | 0 | - | - | - | 87522-ZH9-010 NW2, RH3 | |
| | 27 | 87516-Z0D-800 | MARK, OPERATOR CAUTION | 1 | - | - | - | NW2, RH3 | |
| | | 87516-Z0D-800 | | 1 | - | - | - | 87516-ZM7-801 VSW2 | |

NOTE A:PART NO. CHANGE D:NEWLY PROVIDED E:PART NO. DELETION K:REQUIRED NO. CORRECTION L:APPLICATION SERIAL NO. CORRECTION
T:APPLICATION CORRECTION Z:REMARKS CHANGE



PARTS CATALOGUE NEWS

Honda Motor Co., Ltd. Service Division

PARTS CATALOGUE - CORRECTED

Printed in Japan

| | |
|----------------------|---|
| CODE NO. | 13ZK0402 |
| PARTS CATALOGUE NEWS | GX200 [GCAE-190/900] [GCAEB-100] GX200 [PROPANE ENGINE] [GDAB-101] |
| NEWS NO. | 003 |

| Block No. | Ref. No. | Note | Part No. | Description | Reqd. QTY | | | | Serial No. | Parts catalogue code |
|-----------|----------|------|---------------|------------------------------|-----------|-----|-----|-----|------------|----------------------|
| | | | | | (1) | (2) | (3) | (4) | | |
| E-6 | 1 | T | 11300-ZE1-641 | COVER ASSY., CRANKCASE | - | - | 1 | - | ----- | QVSH |
| | | D | 11300-ZE1-642 | | - | - | - | 1 | | |

NOTE A:PART NO. CHANGE D:NEWLY PROVIDED E:PART NO.DELETION K:REQUIRED NO. CORRECTION L:APPLICATION SERIAL NO. CORRECTION
T:APPLICATION CORRECTION Z:REMARKS CHANGE



PARTS CATALOGUE NEWS

Honda Motor Co., Ltd. Service Division

PARTS CATALOGUE - CORRECTED

Printed in Japan

| | |
|----------------------|---|
| CODE NO. | 13ZK0402 |
| PARTS CATALOGUE NEWS | GX200 [GCAE-190/900] [GCAEB-100] GX200 [PROPANE ENGINE] [GDAB-101] |
| NEWS NO. | 004 |

| Block No. | Ref. No. | Note | Part No. | Description | Reqd. QTY | | | | Serial No. | Parts catalogue code | | |
|-----------|----------|------|---------------|---------------------------------|-----------|---------------|-------|-----|------------|--|---------|------------|
| | | | | | (1) | (2) | (3) | (4) | | | | |
| E-12 | 25 | | 36100-ZH7-W41 | SWITCH ASSY., ENGINE STOP | 1 | - | - | - | ----- | LX4, QX4, QX7, RX4, SMC4, SM14, SX4, SX7, VSD, VSD1, VSD7 VS17, VX4 | | |
| | | | | | | 1 | - | - | - | ----- | 2272933 | VEE1, VEN1 |
| | | | | | A | 36100-ZH7-W42 | | 1 | - | - | - | 2272934 |

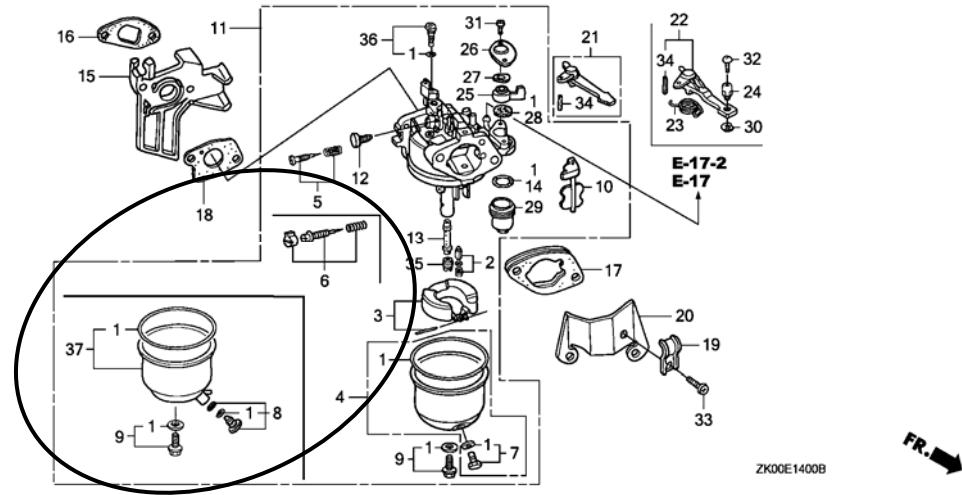
NOTE A:PART NO. CHANGE D:NEWLY PROVIDED E:PART NO.DELETION K:REQUIRED NO. CORRECTION L:APPLICATION SERIAL NO. CORRECTION
T:APPLICATION CORRECTION Z:REMARKS CHANGE

PARTS CATALOGUE NEWS

BOOKNo. : 13ZK0402

| Block No. | Ref. No. | Note | Part No. | Description | Reqd. QTY | | | | Serial No. | Parts catalogue code |
|-----------|----------|------|----------|-------------|-----------|-----|-----|-----|------------|----------------------|
| | | | | | (1) | (2) | (3) | (4) | | |

E-14 CARBURETOR (1)



ZK00E1400B



| | | | | | | | | | |
|------|----|---|-----------------|--|---|---|---|---|--|
| E-14 | 4 | E | 16015-ZH7-A21 | *PARTS NO. DELETION | | | | | |
| | 37 | D | 16015-ZH7-A21 | CHAMBER SET, FLOAT | 1 | - | - | - | LSK, SMG1, SMG2 |
| E-17 | 9 | T | 17510-ZE1-020ZA | TANK COMP., FUEL *NH31*..... MCKINLEY WHITE | 1 | - | - | - | HXU, HX2, HX26, LHQ4, LX2, LX4, NDJ, NX, PX, PXU, QD, QG2, QHQ4, QH26, QH4, QM, QXB2, QXC9, QXE2, QXE4, QXE6, QXE8, QXH4, QXS2, QXU, QX2, QX26, QX4, QX7, RHQ4, RH2, RH26, RXU, RX2, RX4, SDB2, SHQ4, SMC4, SM12, SM14, SM22, SM24, SXE4, SXU, SX4, SX7, TXU, TXU1, TX2, VSD, VSD7, VXU1, VX2, VX4 |
| | | | | | 1 | - | - | - | 2218550 BL, HX, LH, LHB2, LHP1, LJ, LJC1, LVL, NJ, NW, QAB2, QH, QHP1, QTP, QVL, QX, RH, RX, SD, SH, S.J, SM11, SM21, SX, TX, VMG1, VX, VXK, VXU |
| | | | | | - | - | - | 1 | |
| | | T | 17510-ZE1-030ZA | *NH31*..... MCKINLEY WHITE | 1 | - | - | - | NW2, RH3 |
| | | | | | 1 | - | - | - | 2218551 BL, HX, LH, LHB2, LHP1, LJ, LJC1, LVL, NJ, NW, QAB2, QH, QHP1, QTP, QVL, QX, RH, RX, SD, SH, S.J, SM11, SM21, SX, TX, VMG1, VX, VXK, VXU |

NOTE A:PART NO. CHANGE D:NEWLY PROVIDED E:PART NO.DELETION K:REQUIRED NO. CORRECTION L:APPLICATION SERIAL NO. CORRECTION
T:APPLICATION CORRECTION Z:REMARKS CHANGE

PARTS CATALOGUE NEWS

BOOKNo. : 13ZK0402

| Block No. | Ref. No. | Note | Part No. | Description | Reqd. QTY | | | | Serial No. | Parts catalogue code |
|-----------|----------|------|----------|-------------|-----------|-----|-----|-----|------------|----------------------|
| | | | | | (1) | (2) | (3) | (4) | | |
| | | | | | - | - | 1 | - | | |

NOTE A:PART NO. CHANGE D:NEWLY PROVIDED E:PART NO.DELETION K:REQUIRED NO. CORRECTION L:APPLICATION SERIAL NO. CORRECTION
T:APPLICATION CORRECTION Z:REMARKS CHANGE



PARTS CATALOGUE NEWS

Honda Motor Co., Ltd. Service Division

Printed in Japan

| | |
|----------------------|---|
| CODE NO. | 13ZK0402 |
| PARTS CATALOGUE NEWS | GX200 [GCAE-190/900] [GCAEB-100] GX200 [PROPANE ENGINE] [GDAB-101] |
| NEWS NO. | 005 |

GX200-SNX TYPE sales parts information

NOTE: This Parts Catalogue News explains only the parts of the different model that are produced to conform to addition of the GX200-SNX type.

As for the parts not listed on this Parts Catalogue News, use the parts of the GX200-SM21 type.

• Models, parts catalogue codes and applicable serial numbers

| Model | Type | | Parts catalogue type | Applicable engine serial No. | Applicable carburetor identification No. |
|-------|------|------------------|----------------------|------------------------------|--|
| GX200 | SM21 | Base model | SM21 | GCAE-1900001~ | BE64B B/C |
| | SNX | Additional model | SNX | | BE64B C |

| • Features of each type | | Base type | Additional type |
|-------------------------|----------------|-----------|-----------------|
| Specifications | Model | GX200 | |
| | Type | SM21 | SNX |
| Crankshaft | 20mmØSpline | | |
| | 21mmØSpline | | |
| | 19mmØStraight | | |
| | 20mmØStraight | ● | ● |
| | 3/4"Thread | | |
| | 5/8"Thread | | |
| | 3/16"ØTapered | | |
| | 1/5"ØTapered | | |
| | Without P.T.O. | | |
| Camshaft | Without P.T.O. | | |
| | With P.T.O. | ● | ● |
| Starter motor | | | |
| Charge coil | | | |
| Lamp coil | | | |
| Air cleaner | Dual | ● | ● |
| | Semi dri | | |
| | Cyclone | | |
| | Oil bath | | |
| | Standard | | |

NOTE A:PART NO. CHANGE D:NEWLY PROVIDED E:PART NO.DELETION K:REQUIRED NO. CORRECTION L:APPLICATION SERIAL NO. CORRECTION
 T:APPLICATION CORRECTION Z:REMARKS CHANGE

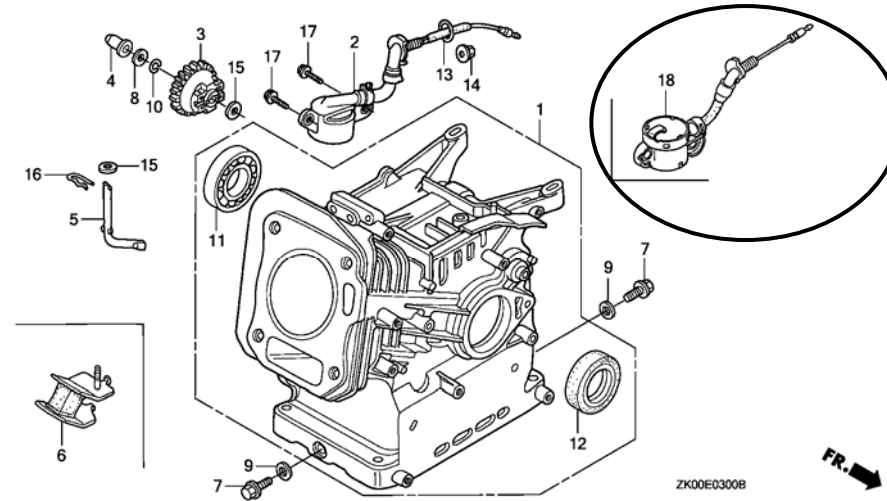
PARTS CATALOGUE NEWS

BOOKNo. : 13ZK0402

| Block No. | Ref. No. | Part No. | Description | Reqd. QTY | | | | Base Part No. | Parts catalogue code |
|-----------|----------|----------|-------------|-----------|-----|-----|-----|---------------|----------------------|
| | | | | (1) | (2) | (3) | (4) | | |

E-3 CYLINDER BARREL

| Ref. No. | LON | (Relative ref. Number) Description | FRT |
|----------|-----|--|-----|
| 2 | | (13, 18) 6151E8 SWITCH, OIL LEVEL | 0.5 |



| | | | | | | | |
|--------|----|---|---|---|---|---|-----------------|
| E-3 | 2 | SWITCH ASSY., OIL LEVEL | 0 | - | - | - | 15510-ZE1-043 |
| | 18 | 35480-Z0T-003 SWITCH ASSY., OIL LEVEL | 1 | - | - | - | |
| E-7 | 10 | BOLT, HEX., 8X25 | 0 | - | - | - | 92101-08025-0A |
| | 11 | WASHER, 8MM | 0 | - | - | - | 90473-842-000 |
| | 12 | KEY, 5X5X33 (YELLOW) | 0 | - | - | - | 90741-883-810 |
| E-11-2 | 2 | SPACER, RECOIL STARTER MOUNTING *NH1*..... BLACK | 0 | - | - | - | 28405-ZL0-000ZA |
| E-12 | 14 | 81329-567-020 GROMMET, DRAIN HOLE | 1 | - | - | - | |
| | 25 | SWITCH ASSY., ENGINE STOP | 0 | - | - | - | 36100-ZH7-003 |
| E-17 | 7 | 17500-ZE1-813ZA TANK ASSY., FUEL (GAUGE) *NH31*..... MCKINLEY WHITE | 1 | - | - | - | |
| | 8 | 17505-ZE1-013 GAUGE ASSY., FUEL | 1 | - | - | - | |

NOTE A:PART NO. CHANGE D:NEWLY PROVIDED E:PART NO.DELETION K:REQUIRED NO. CORRECTION L:APPLICATION SERIAL NO. CORRECTION T:APPLICATION CORRECTION Z:REMARKS CHANGE

PARTS CATALOGUE NEWS

BOOKNo. : 13ZK0402

| Block No. | Ref. No. | Part No. | Description | Reqd. QTY | | | | Base Part No. | Parts catalogue code |
|-----------|----------|----------------|--|-----------|--------------|-----|-----|-----------------|----------------------|
| | | | | (1) | GX200 (2) | (3) | (4) | | |
| | 9 | | TANK COMP., FUEL *NH31*. MCKINLEY WHITE | 0 | - | - | - | 17510-ZE1-030ZA | |
| | 19 | 93600-05010-0A | SCREW, FLAT, 5X10 | 2 | - | - | - | | |
| E-20 | 1 | 30500-ZE1-073 | COIL ASSY., IGNITION | 1 | - | - | - | 30500-ZE1-063 | |
| E-28 | 4 | | LABEL, SPECIFICATION | 0 | - | - | - | 87152-ZL0-010 | |
| | 13 | 87530-ZL8-810 | MARK, OIL ALERT | 1 | - | - | - | 87532-ZH8-000 | |
| | 23 | 87565-ZE2-000 | MARK, FUEL INDICATION (JAPANESE) | 1 | - | - | - | | |
| E-29 | 11 | | HANDLE, BOX WRENCH | 0 | - | - | - | 89219-805-000 | |

NOTE A:PART NO. CHANGE D:NEWLY PROVIDED E:PART NO. DELETION K:REQUIRED NO. CORRECTION L:APPLICATION SERIAL NO. CORRECTION
T:APPLICATION CORRECTION Z:REMARKS CHANGE



PARTS CATALOGUE NEWS

Honda Motor Co., Ltd. Service Division

PARTS CATALOGUE - CORRECTED

Printed in Japan

| | |
|----------------------|---|
| CODE NO. | 13ZK0402 |
| PARTS CATALOGUE NEWS | GX200 [GCAE-190/900] [GCAEB-100] GX200 [PROPANE ENGINE] [GDAB-101] |
| NEWS NO. | 006 |

| Block No. | Ref. No. | Note | Part No. | Description | Reqd. QTY | | | | Serial No. | Parts catalogue code | |
|-----------|----------|------|---------------|-------------------------------|-----------|-----|-----|-----|-----------------|----------------------|---|
| | | | | | (1) | (2) | (3) | (4) | | | |
| E-3 | 2 | L | 15510-ZE1-043 | SWITCH ASSY., OIL LEVEL | 1 | - | - | - | ----- 2309655 | VSW2 | |
| | | | | | 1 | - | - | - | 2222938 | ----- | SMG1 |
| | | | | | 1 | - | - | - | 2222938 2309655 | | HX, LJC1, QXF1, RX, SM21, SX, VEE1, VEN, VEN1, VES, VES1 VMG1, VMT, VSW, VSW1, VX, VXK |
| | 18 | T | 35480-Z0T-003 | SWITCH ASSY., OIL LEVEL | 1 | - | - | - | ----- | ----- | SNX |
| | | | | | 1 | - | - | - | 2309656 | ----- | HX, LJC1, QXF1, RX, SM21, SX, VEE1, VEN, VEN1, VES, VES1 VMG1, VMT, VSW, VSW1, VSW2, VX, VXK |

NOTE A:PART NO. CHANGE D:NEWLY PROVIDED E:PART NO.DELETION K:REQUIRED NO. CORRECTION L:APPLICATION SERIAL NO. CORRECTION
T:APPLICATION CORRECTION Z:REMARKS CHANGE



PARTS CATALOGUE NEWS

Honda Motor Co., Ltd. Service Division

PARTS CATALOGUE - CORRECTED

Printed in Japan

| | |
|----------------------|---|
| CODE NO. | 13ZK0402 |
| PARTS CATALOGUE NEWS | GX200 [GCAE-190/900] [GCAEB-100] GX200 [PROPANE ENGINE] [GDAB-101] |
| NEWS NO. | 007 |

| Block No. | Ref. No. | Note | Part No. | Description | Reqd. QTY | Serial No. | Parts catalogue code |
|-----------|----------|------|----------|-------------|-----------------|------------|----------------------|
| | | | | | (1) (2) (3) (4) | | |

Features of each type CORRECTED

| • Features of each type | | Base type | Additional type |
|-------------------------|----------------|-----------|-----------------|
| Specifications | Model | GX200 | |
| | Type | SM21 | SNX |
| Crankshaft | 20mmØSpline | | |
| | 21mmØSpline | | |
| | 19mmØStraight | | |
| | 20mmØStraight | ● | ● |
| | 3/4"Thread | | |
| | 5/8"Thread | | |
| | 3/16"ØTapered | | |
| | 1/5"ØTapered | | |
| | Without P.T.O. | | |
| Camshaft | Without P.T.O. | ● | ● |
| | With P.T.O. | | |
| Starter motor | | | |
| Charge coil | | | |
| Lamp coil | | | |
| Air cleaner | Dual | ● | ● |
| | Semi dri | | |
| | Cyclone | | |
| | Oil bath | | |
| | Standard | | |

NOTE A:PART NO. CHANGE D:NEWLY PROVIDED E:PART NO.DELETION K:REQUIRED NO. CORRECTION L:APPLICATION SERIAL NO. CORRECTION
T:APPLICATION CORRECTION Z:REMARKS CHANGE



PARTS CATALOGUE NEWS

Honda Motor Co., Ltd. Service Division

Printed in Japan

| | |
|----------------------|---|
| CODE NO. | 13ZK0402 |
| PARTS CATALOGUE NEWS | GX200 [GCAE-190/900] [GCAEB-100] GX200 [PROPANE ENGINE] [GDAB-101] |
| NEWS NO. | 008 |

GX200-SNX1 TYPE sales parts information

NOTE: This Parts Catalogue News explains only the parts of the different model that are produced to conform to addition of the GX200-SNX1 type.
As for the parts not listed on this Parts Catalogue News, use the parts of the GX200-SNX type.

•Models, parts catalogue codes and applicable serial numbers

| Model | Type | | Parts catalogue type | Applicable engine serial No. | Applicable carburetor identification No. |
|-------|------|-----------------|----------------------|------------------------------|--|
| GX200 | SNX | Base type | SNX | GCAE-1900001~ | BE64B B / C |
| | SNX1 | Additional type | SNX1 | | |

| •Features of each type | | Base type | Additional type |
|------------------------|----------------|------------------------|-----------------|
| | | GX200 | |
| Specifications | | Standard equipment (1) | |
| | | SNX | SNX1 |
| Crankshaft | 20mmØSpline | | |
| | 21mmØSpline | | |
| | 19mmØStraight | | |
| | 20mmØStraight | ● | ● |
| | 3/4"Thread | | |
| | 5/8"Thread | | |
| | 3/16"ØTapered | | |
| | 1/5"ØTapered | | |
| | Without P.T.O. | | |
| Camshaft | Without P.T.O. | ● | ● |
| | With P.T.O. | | |
| Starter motor | | | ● |
| Charge coil | | | ● |
| Lamp coil | | | |
| Air cleaner | Dual | ● | ● |
| | Semi dry | | |
| | Cyclone | | |
| | Oil bath | | |
| | Standard | | |

PARTS CATALOGUE NEWS

BOOKNo. : 13ZK0402

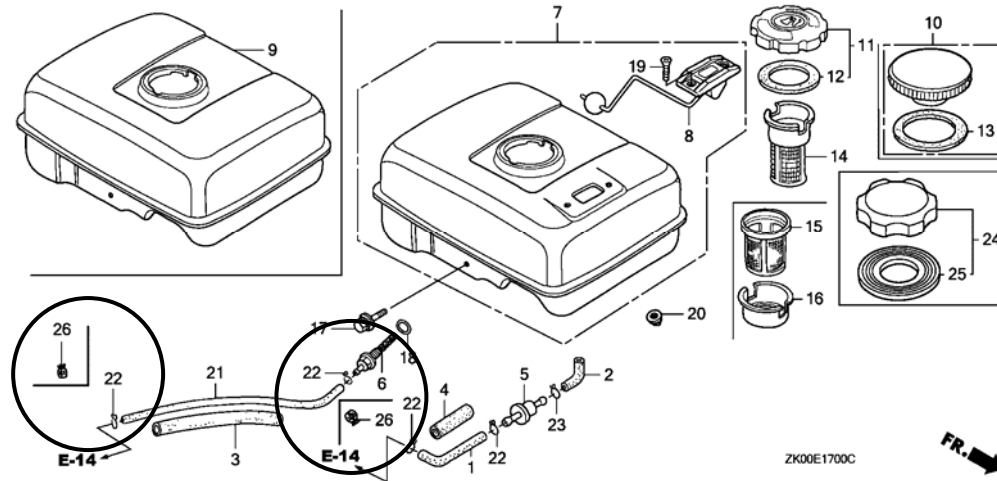
| Block No. | Ref. No. | Part No. | Description | Reqd. QTY | | | | Base Part No. | Parts catalogue code |
|-----------|----------------|--------------------------|--|-----------|--------------|-----|-----|-----------------|----------------------|
| | | | | (1) | GX200 (2) | (3) | (4) | | |
| E-12 | 2 | | COVER COMP., FAN *R280*.....POWER RED | 0 | - | - | - | 19610-ZL0-000ZJ | |
| | 3 | 19610-ZL0-830ZD | COVER COMP., FAN *R280*.....POWER RED | 1 | - | - | - | | |
| | 5 | 19612-ZH8-840 | PLATE, SIDE (STARTER MOTOR) .. | 1 | - | - | - | | |
| | 11 | | ALERT UNIT, OIL | 0 | - | - | - | 34150-ZH7-013 | |
| | 13 | 36101-ZB2-010 | CORD, STOP SWITCH (395MM) | 1 | - | - | - | 36101-ZE1-010 | |
| | 14 | | GROMMET, DRAIN HOLE | 0 | - | - | - | 81329-567-020 | |
| | 16 | 90121-952-000 | BOLT, FLANGE, 6X25 (CT200) | 1 | - | - | - | 90022-888-010 | |
| | 17 | | CLIP, HARNESS | 0 | - | - | - | 90601-ZH7-013 | |
| | 21 | | PLATE COMP., SIDE (OIL ALERT) | 0 | - | - | - | 19611-ZH8-810 | |
| | 23 | | BOLT, FLANGE, 6X8 | 0 | - | - | - | 95701-06008-00 | |
| E-16 | 1 | 17233-896-701 | COLLAR, AIR CLEANER CASE | (2) | - | - | - | | |
| | 6 | 18355-ZL0-000 | ARRESTER, SPARK | (1) | - | - | - | | |
| | 9 | 18433-ZH8-W40 | COVER COMP., MUFFLER | (1) | - | - | - | | |
| | 10 | 18434-ZH8-W40 | COVER COMP., MUFFLER RR. | (1) | - | - | - | | |
| | 11 | 18436-ZH8-W40 | BASE COMP., MUFFLER COVER | (1) | - | - | - | | |
| | 12 | 18466-ZH8-W40 | SPACER, MUFFLER COVER | (3) | - | - | - | | |
| | 15 | 90050-ZE1-000 | SCREW, TAPPING, 5X8 | (1) | - | - | - | | |
| | 16 | 90050-ZH8-W40 | SCREW, TAPPING, 5X25 | (2) | - | - | - | | |
| | 17 | 90055-ZE1-000 | SCREW, TAPPING, 4X6 | (1) | - | - | - | | |
| | 19 | 90302-KF9-900 | NUT, HEX., 5MM | (3) | - | - | - | | |
| 20 | 93891-06020-07 | SCREW-WASHER, 6X20 | (3) | - | - | - | | | |
| 22 | 94103-05700 | WASHER, PLAIN, 5MM | (3) | - | - | - | | | |

PARTS CATALOGUE NEWS

BOOKNo. : 13ZK0402

| Block No. | Ref. No. | Part No. | Description | Reqd. QTY | | | | Base Part No. | Parts catalogue code |
|-----------|----------|----------|-------------|-----------|-----|-----|-----|---------------|----------------------|
| | | | | (1) | (2) | (3) | (4) | | |

E-17 FUEL TANK (1)



| | | | | | | | | |
|------|----|----------------|--------------------------------------|---|---|---|---|----------------|
| E-17 | 21 | 91424-Z4F-802 | TUBE, FUEL, 4.5X140(FKM) | 1 | - | - | - | 95001-45140-40 |
| | 22 | | CLIP, TUBE (B8) | 0 | - | - | - | 95002-02080 |
| | 26 | 95002-40800-08 | CLAMP, TUBE (D8) | 2 | - | - | - | |
| E-19 | 5 | | FLYWHEEL COMP. (STD.) | 0 | - | - | - | 31100-ZE7-010 |
| | 6 | 31110-ZL0-821 | FLYWHEEL COMP. (START) | 1 | - | - | - | |
| E-20 | 5 | 31511-ZE1-000 | CLAMPER, CORD | 1 | - | - | - | |
| | 6 | 31512-ZE1-000 | GROMMET, CORD | 1 | - | - | - | |
| | 7 | 31630-ZE1-013 | COIL ASSY., CHARGE (1A) | 1 | - | - | - | |
| | 10 | 90015-883-000 | BOLT, FLANGE, 6X28 (CT200) | 2 | - | - | - | |
| | 11 | 90019-883-000 | BOLT, FLANGE, 5X10 | 1 | - | - | - | |
| E-21 | 1 | 31200-ZL0-811 | MOTOR ASSY., STARTER | 1 | - | - | - | |
| | 2 | 31204-ZE1-013 | SWITCH COMP., STARTING MAGNET | 1 | - | - | - | |

PARTS CATALOGUE NEWS

BOOKNo. : 13ZK0402

| Block No. | Ref. No. | Part No. | Description | Reqd. QTY | | | | Base Part No. | Parts catalogue code |
|-----------|----------|---------------|---|-----------|-----|-----|-----|---------------|----------------------|
| | | | | (1) | (2) | (3) | (4) | | |
| | 3 | 31206-KN7-670 | O-RING | 1 | - | - | - | | |
| | 4 | 31210-ZE1-723 | MOTOR UNIT, STARTER (SM-11205) (181MM) | 1 | - | - | - | | |
| | 5 | 31212-ZE1-003 | COVER COMP., GEAR | 1 | - | - | - | | |
| | 6 | 31214-ZE1-003 | PINION ASSY. | 1 | - | - | - | | |
| | 7 | 31215-ZE1-003 | SHAFT UNIT, GEAR | 1 | - | - | - | | |
| | 8 | 31216-ZE1-731 | YOKE ASSY. | 1 | - | - | - | | |
| | 9 | 31217-ZE1-722 | ROTOR ASSY. | 1 | - | - | - | | |
| | 10 | 31220-ZE1-722 | MOTOR ONLY | 1 | - | - | - | | |
| | 11 | 31221-ZE1-003 | PIECE A, STOPPER | 1 | - | - | - | | |
| | 12 | 31222-ZE1-003 | PIECE B, STOPPER | 1 | - | - | - | | |
| | 13 | 31223-ZE1-003 | SPRING, RETURN | 1 | - | - | - | | |
| | 14 | 31224-ZE1-003 | COVER, SPRING | 1 | - | - | - | | |
| | 15 | 31230-ZE1-003 | GEAR ASSY. | 1 | - | - | - | | |
| | 16 | 31235-ZE1-013 | BRACKET COMP., FR. | 1 | - | - | - | | |
| | 17 | 32410-ZE1-010 | CORD, MAGNET SWITCH | 1 | - | - | - | | |
| | 18 | 32411-ZE1-000 | COVER, MAGNETIC SWITCH | 1 | - | - | - | | |
| | 19 | 32411-253-000 | COVER, STARTER MOTOR TERMINAL | 1 | - | - | - | | |
| | 20 | 90010-ZE1-003 | SCREW-WASHER, 5X8 | 1 | - | - | - | | |
| | 21 | 90012-ZE1-721 | BOLT, SETTING | 2 | - | - | - | | |
| | 22 | 90017-883-000 | BOLT, FLANGE, 6X32 | 1 | - | - | - | | |
| | 23 | 90071-MB0-000 | NUT-WASHER, 6MM | 2 | - | - | - | | |
| | 24 | 90115-GB4-700 | SCREW-WASHER, 5X30 | 1 | - | - | - | | |
| | 26 | 90502-187-701 | WASHER, PINION | 1 | - | - | - | | |
| | 27 | 90603-ZE1-003 | CIRCLIP, 10.2MM | 1 | - | - | - | | |

PARTS CATALOGUE NEWS

BOOKNo. : 13ZK0402

| Block No. | Ref. No. | Part No. | Description | Reqd. QTY | | | | Base Part No. | Parts catalogue code |
|-----------|----------|----------------|---------------------------------------|-----------|-----|-----|-----|---------------|----------------------|
| | | | | (1) | (2) | (3) | (4) | | |
| | 28 | 90631-ZE1-003 | HOLDER, HARNESS | 1 | - | - | - | | |
| | 29 | 91301-ZE1-003 | O-RING | 2 | - | - | - | | |
| | 30 | 91402-ZE6-003 | WASHER, SPECIAL | 2 | - | - | - | | |
| | 31 | 91403-ZE6-003 | WASHER, SPRING | 2 | - | - | - | | |
| | 32 | 93892-05014-08 | SCREW-WASHER, 5X14 | 3 | - | - | - | | |
| | 33 | 93892-05020-08 | SCREW-WASHER, 5X20 | 2 | - | - | - | | |
| | 34 | 94301-08100 | DOWEL PIN, 8X10 | 2 | - | - | - | | |
| E-22 | 1 | | CONTROL ASSY. (NORTON) | 0 | - | - | - | 16500-ZH8-U43 | |
| | 5 | | ARM, GOVERNOR | 0 | - | - | - | 16551-ZL0-000 | |
| | 6 | | ROD, GOVERNOR | 0 | - | - | - | 16555-ZE1-000 | |
| | 8 | | SPRING, GOVERNOR | 0 | - | - | - | 16561-ZL0-000 | |
| | 9 | | SPRING, THROTTLE RETURN | 0 | - | - | - | 16562-ZE1-020 | |
| | 12 | | LEVER, CONTROL | 0 | - | - | - | 16571-ZH8-020 | |
| | 13 | | SPRING, LEVER | 0 | - | - | - | 16574-ZE1-000 | |
| | 14 | | WASHER, CONTROL LEVER | 0 | - | - | - | 16575-ZH8-000 | |
| | 15 | | HOLDER, CABLE | 0 | - | - | - | 16576-891-000 | |
| | 16 | | SPACER, CONTROL LEVER | 0 | - | - | - | 16578-ZE1-000 | |
| | 17 | | BASE COMP., CONTROL (REMOTE) (###) | 0 | - | - | - | 16580-ZH8-813 | |
| | 18 | | SPRING, CONTROL ADJUSTING | 0 | - | - | - | 16584-883-300 | |
| | 19 | | SPRING, CABLE RETURN | 0 | - | - | - | 16592-ZE1-810 | |
| | 20 | | HOLDER, WIRE | 0 | - | - | - | 16594-883-010 | |
| | 22 | | BOLT, FLANGE, 6X12 (CT200) | 0 | - | - | - | 90013-883-000 | |
| | 23 | | BOLT, GOVERNOR ARM | 0 | - | - | - | 90015-ZE5-010 | |
| | 25 | | NUT, SELF-LOCK, 6MM | 0 | - | - | - | 90114-SA0-000 | |

PARTS CATALOGUE NEWS

BOOKNo. : 13ZK0402

| Block No. | Ref. No. | Part No. | Description | Reqd. QTY | | | | Base Part No. | Parts catalogue code |
|-----------|----------|----------------|---------------------------------------|-----------|-----|-----|-----|----------------|----------------------|
| | | | | (1) | (2) | (3) | (4) | | |
| | 27 | | CIRCLIP, 5MM | 0 | - | - | - | 90605-230-000 | |
| | 28 | | SCREW, PAN, 4X6 | 0 | - | - | - | 93500-04006-0H | |
| | 29 | | SCREW, PAN, 5X16 | 0 | - | - | - | 93500-05016-0A | |
| | 30 | | SCREW, PAN, 5X25 | 0 | - | - | - | 93500-05025-0H | |
| | 31 | | NUT, FLANGE, 6MM | 0 | - | - | - | 94050-06000 | |
| E-22-1 | 1 | 16500-ZH8-823 | CONTROL ASSY. (REMOTE) | 1 | - | - | - | | |
| | 2 | 16551-ZL0-000 | ARM, GOVERNOR | 1 | - | - | - | | |
| | 3 | 16555-ZE1-000 | ROD, GOVERNOR | 1 | - | - | - | | |
| | 4 | 16561-ZL0-000 | SPRING, GOVERNOR | 1 | - | - | - | | |
| | 5 | 16562-ZE1-020 | SPRING, THROTTLE RETURN | 1 | - | - | - | | |
| | 6 | 16571-ZH8-020 | LEVER, CONTROL | 1 | - | - | - | | |
| | 7 | 16574-ZE1-000 | SPRING, LEVER | 1 | - | - | - | | |
| | 8 | 16575-ZH8-000 | WASHER, CONTROL LEVER | 1 | - | - | - | | |
| | 9 | 16576-891-000 | HOLDER, CABLE | 1 | - | - | - | | |
| | 10 | 16578-ZE1-000 | SPACER, CONTROL LEVER | 1 | - | - | - | | |
| | 11 | 16580-ZH8-813 | BASE COMP., CONTROL (REMOTE) (###) | 1 | - | - | - | | |
| | 12 | 16584-883-300 | SPRING, CONTROL ADJUSTING | 1 | - | - | - | | |
| | 13 | 16592-ZE1-810 | SPRING, CABLE RETURN | 1 | - | - | - | | |
| | 14 | 16599-ZG1-M10 | COLLAR, STOPPER | (1) | - | - | - | | |
| | 15 | 90013-883-000 | BOLT, FLANGE, 6X12 (CT200) | 2 | - | - | - | | |
| | 16 | 90015-ZE5-010 | BOLT, GOVERNOR ARM | 1 | - | - | - | | |
| | 17 | 90016-ZG9-N30 | SCREW, RECESSED, 5X25 | (1) | - | - | - | | |
| | 18 | 90114-SA0-000 | NUT, SELF-LOCK, 6MM | 1 | - | - | - | | |
| | 19 | 93500-05016-0A | SCREW, PAN, 5X16 | 1 | - | - | - | | |

PARTS CATALOGUE NEWS

BOOKNo. : 13ZK0402

| Block No. | Ref. No. | Part No. | Description | Reqd. QTY | | | | Base Part No. | Parts catalogue code |
|-----------|----------|-----------------|---|-----------|--------------|-----|-----|---------------|----------------------|
| | | | | (1) | GX200 (2) | (3) | (4) | | |
| | 20 | 93500-05025-OH | SCREW, PAN, 5X25 | 1 | - | - | - | | |
| | 21 | 94050-06000 | NUT, FLANGE, 6MM | 1 | - | - | - | | |
| E-23 | 1 | 31610-Z4T-842ZB | BOX ASSY., CONTROL (EXP-ALERT) *R280*. POWER RED | 1 | - | - | - | | |
| | 2 | 31612-ZE2-003 | CASE, CONTROL | 1 | - | - | - | | |
| | 3 | 31614-ZE2-003 | BRACKET, CASE MOUNTING | 1 | - | - | - | | |
| | 4 | 31615-ZE1-003ZG | PANEL COMP., CONTROL *R280*. POWER RED | 1 | - | - | - | | |
| | 5 | 31700-124-008 | RECTIFIER ASSY., SILICON (SHINDENGEN) | 1 | - | - | - | | |
| | 6 | 32127-738-700 | SUSPENSION, COUPLER | 1 | - | - | - | | |
| | 7 | 32197-ZE1-003 | SUB HARNESS | 1 | - | - | - | | |
| | 8 | 32902-892-003 | BAND | 1 | - | - | - | | |
| | 9 | 34150-ZH7-013 | ALERT UNIT, OIL | 1 | - | - | - | | |
| | 10 | 35100-ZE1-812 | SWITCH ASSY., COMBINATION | 1 | - | - | - | | |
| | 11 | 35111-880-013 | KEY COMP. | 2 | - | - | - | | |
| | 12 | 38240-VA3-900 | PROTECTOR, CIRCUIT (1.0A) | 1 | - | - | - | | |
| | 13 | 38250-ZA8-701 | LENS ASSY., PROTECTOR | 1 | - | - | - | | |
| | 14 | 87529-Z4T-840 | MARK, CONTROL BOX (EXTERNAL) . | 1 | - | - | - | | |
| | 15 | 90380-MA6-010 | SCREW, SPECIAL, 6X12 | 1 | - | - | - | | |
| | 16 | 90630-751-000 | CLIP, PURSE LOCK | 1 | - | - | - | | |
| | 17 | 90682-ZE1-000 | CLIP, CORD | 2 | - | - | - | | |
| | 18 | 90690-SA0-003 | STRAP, WIRE HARNESS, 25MM (BLACK) | 1 | - | - | - | | |
| | 19 | 91406-ZE2-003 | TUBE, FASTENER, 30MM | 1 | - | - | - | | |
| | 20 | 93500-03012-OH | SCREW, PAN, 3X12 | 2 | - | - | - | | |

PARTS CATALOGUE NEWS

BOOKNo. : 13ZK0402

| Block No. | Ref. No. | Part No. | Description | Reqd. QTY | | | | Base Part No. | Parts catalogue code |
|-----------|----------|----------------|--------------------------------|-----------|--------------|-----|-----|---------------|----------------------|
| | | | | (1) | GX200 (2) | (3) | (4) | | |
| | 21 | 93500-04012-0H | SCREW, PAN, 4X12 | 1 | - | - | - | | |
| | 22 | 94001-04390-0S | NUT, HEX., 4MM | 2 | - | - | - | | |
| | 23 | 94101-04800 | WASHER, PLAIN, 4MM | 1 | - | - | - | | |
| | 24 | 94111-04800 | WASHER, SPRING, 4MM | 1 | - | - | - | | |
| | 25 | 95701-06010-00 | BOLT, FLANGE, 6X10 | 1 | - | - | - | | |
| | 26 | 98200-30500 | FUSE, BLADE (5A) | 1 | - | - | - | | |
| E-29 | 9 | | WRENCH COMP., SPARK PLUG | 0 | - | - | - | 89218-ZE1-000 | |
| E-40 | 14 | | CLIP, SUB CORD | 0 | - | - | - | 32901-MA1-000 | |



PARTS CATALOGUE NEWS

Honda Motor Co., Ltd. Service Division

PARTS CATALOGUE - CORRECTED

Printed in Japan

| | |
|----------------------|---|
| CODE NO. | 13ZK0402 |
| PARTS CATALOGUE NEWS | GX200 [GCAE-190/900] [GCAEB-100] GX200 [PROPANE ENGINE] [GDAB-101] |
| NEWS NO. | 009 |

| Block No. | Ref. No. | Note | Part No. | Description | Reqd. QTY | | | | Serial No. | Parts catalogue code |
|-----------|----------|------|---------------|----------------------------|-----------|--------------|-----|-----|---------------|---|
| | | | | | (1) | (2) GX200 | (3) | (4) | | |
| E-20 | 1 | T | 30500-ZE1-043 | COIL ASSY., IGNITION | 1 | - | - | - | ----- 2018936 | BL, HX, HXU, HX2, HX26, LH, LHB2, LHP1, LHQ4, LJ, LJC1, LJG LVL, LX2, LX4, NDJ, NJ, NJC1, NJG, NMB, NTB, NTU, NW, NX, PX PXU, QAB2, QD, QG2, QH, QHP1, QHQ4, QH26, QH4, QJF, QJF1, QM QTP, QTP2, QVL, QX, QXB2, QXC9, QXE2, QXE4, QXE6, QXE8, QXF1 QXH4, QXS2, QXU, QX2, QX26, QX4, QX7, RH, RHA2, RHQ4, RH2 RH26, RJE, RMG2, RX, RXU, RX2, RX4, SD, SDB2, SH, SHQ4, SJ SJG, SMC4, SMG1, SMG2, SM11, SM12, SM14, SM21, SM22, SM24 SWG4, SX, SXE4, SXU, SX4, SX7, TX, TXU, TXU1, TX2, VEE1, VEN VEN1, VEN2, VEN4, VES, VES1, VGG2, VMG1, VMT, VPM4, VSD VSD1, VSD2, VSD7, VSW, VS17, VX, VXU, VXU1, VX2, VX4 |
| | | | | | - | 1 | - | - | | |
| | | | | | - | - | - | 1 | ----- | QDBR, QXBR |
| | | T | 30500-ZE1-073 | | 1 | - | - | - | ----- | NW2, RH3, SNX, SNX1, VSW2 |
| | | | | | - | - | 1 | - | | |

NOTE A:PART NO. CHANGE D:NEWLY PROVIDED E:PART NO.DELETION K:REQUIRED NO. CORRECTION L:APPLICATION SERIAL NO. CORRECTION
T:APPLICATION CORRECTION Z:REMARKS CHANGE